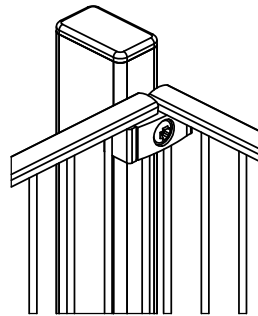
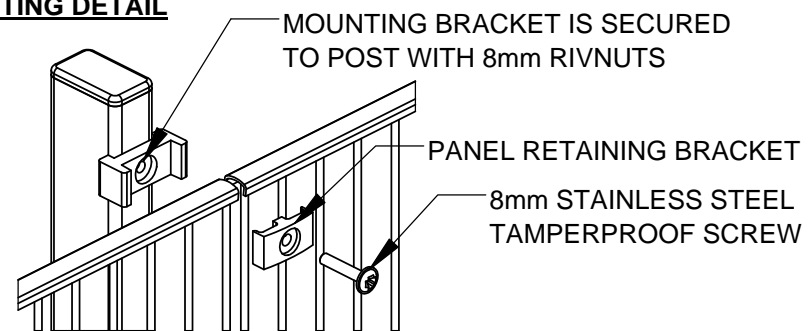


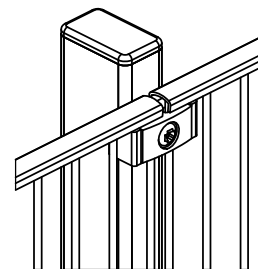
CORNER POST



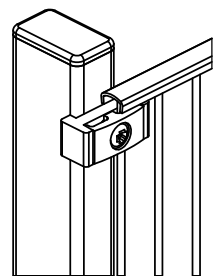
PANEL MOUNTING DETAIL



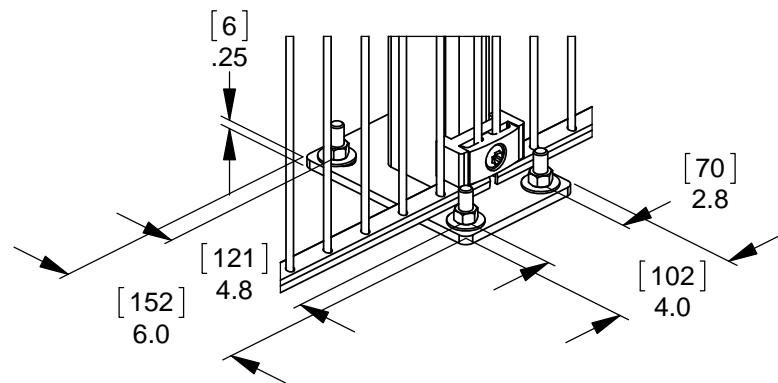
LINE POST



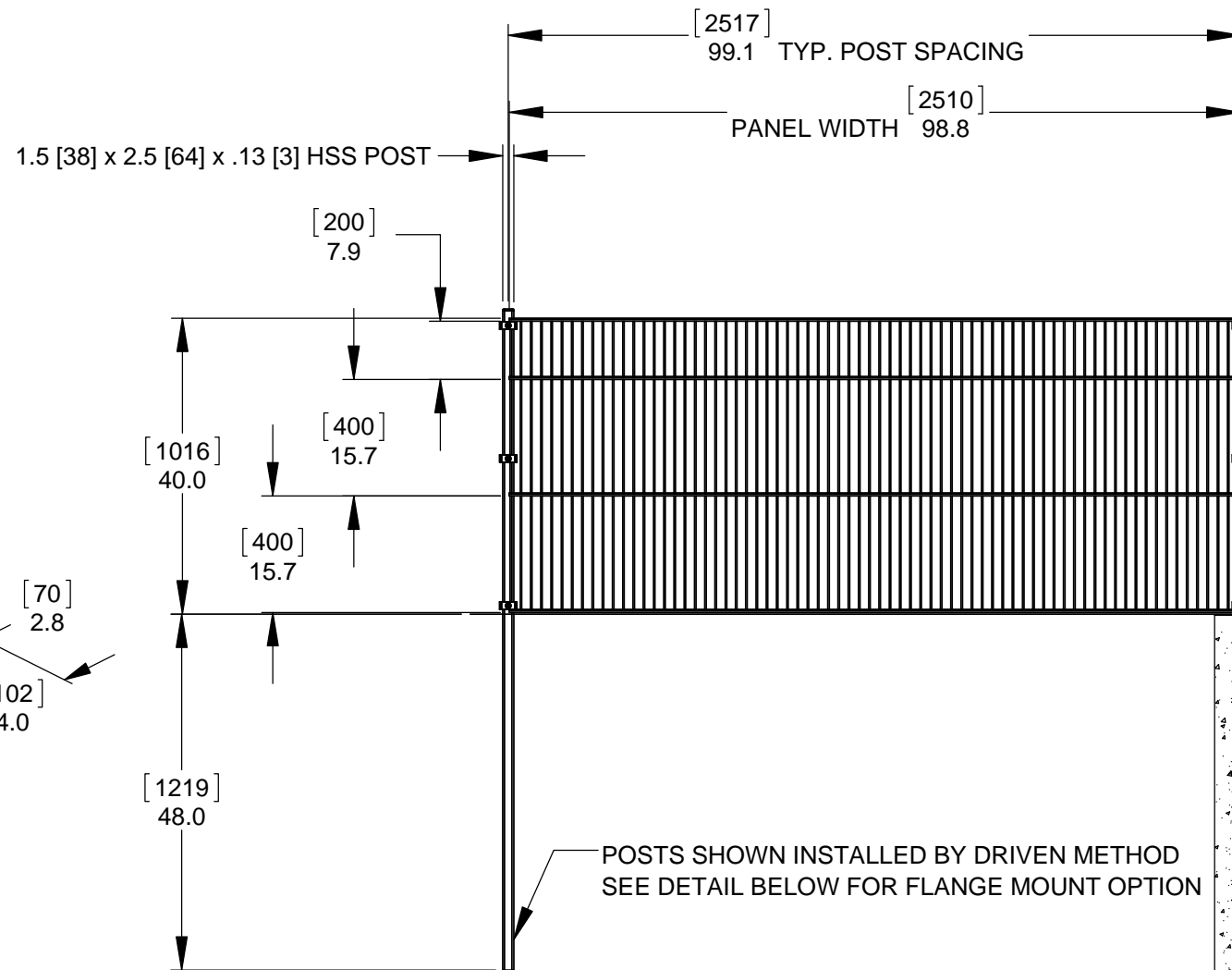
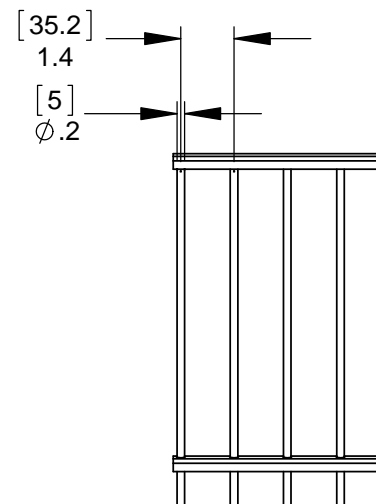
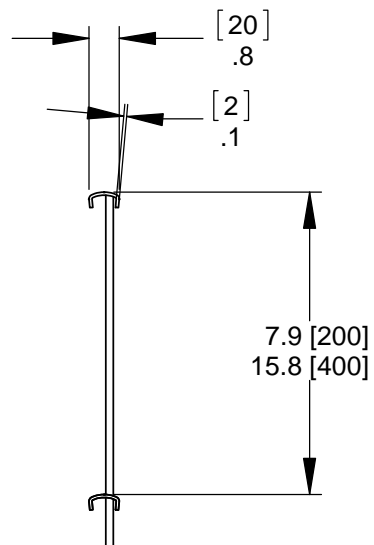
END POST



FLANGE MOUNT



UNI-CHILD WELDED WIRE PANEL



OPTIONAL INSTALLATION METHOD
POSTS SET IN CONCRETE FOOTING

- NOTES:**
 FINISH:
 - GALVANIZED
 - BLACK POLYESTER POWDER COAT

Description:		
3'- 4" [1010mm] UNI CHILD WELDED WIRE FENCE		
1.5 [38] x 2.5 [64] RECTANGULAR POSTS		
Customer / Project Name:		
-		
Finish:	Date:	
SEE NOTES	1/26/2018	
Drawing No.	Rev.	Sheet:
3'- 4" UNI CHILD		1 of 1



115 Lawson Crescent
 Winnipeg, Manitoba, Canada, R3P 1A6
 Phone: 1-866-300-1110
 Fax: 1-204-284-1868
 Web: www.wallaceintl.com