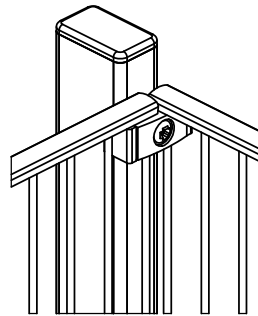
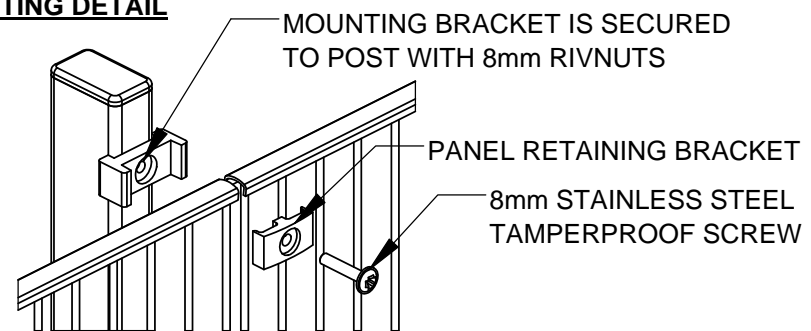


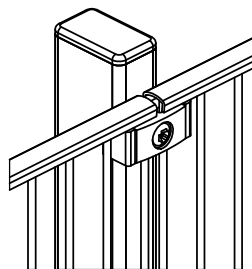
**CORNER POST**



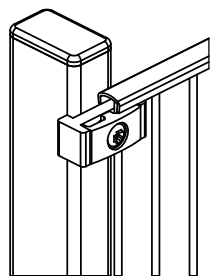
**PANEL MOUNTING DETAIL**



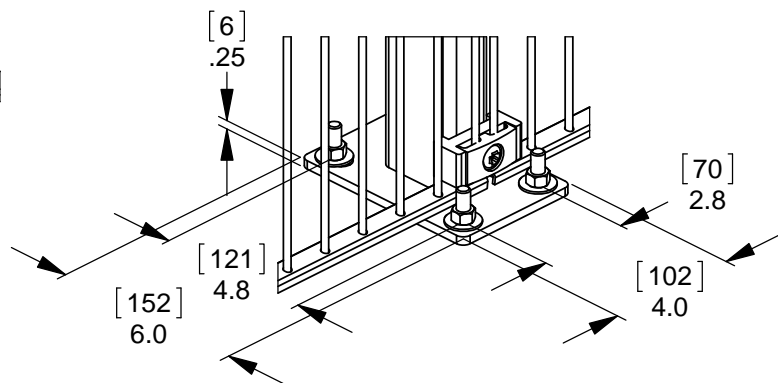
**LINE POST**



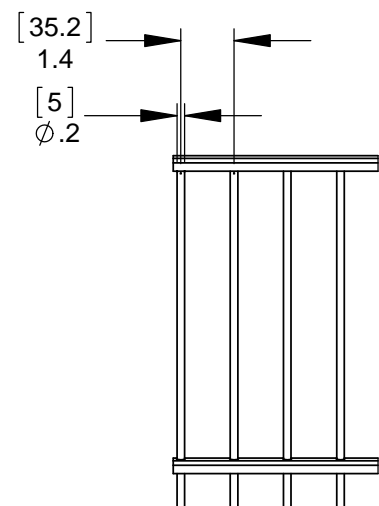
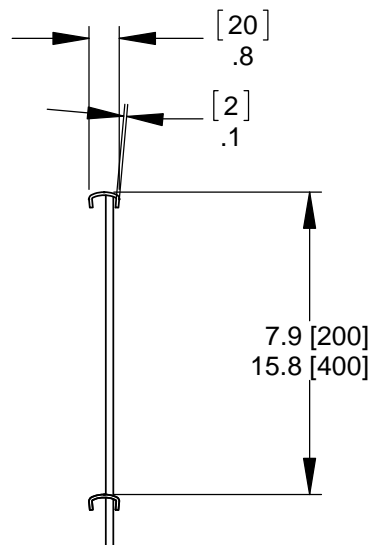
**END POST**



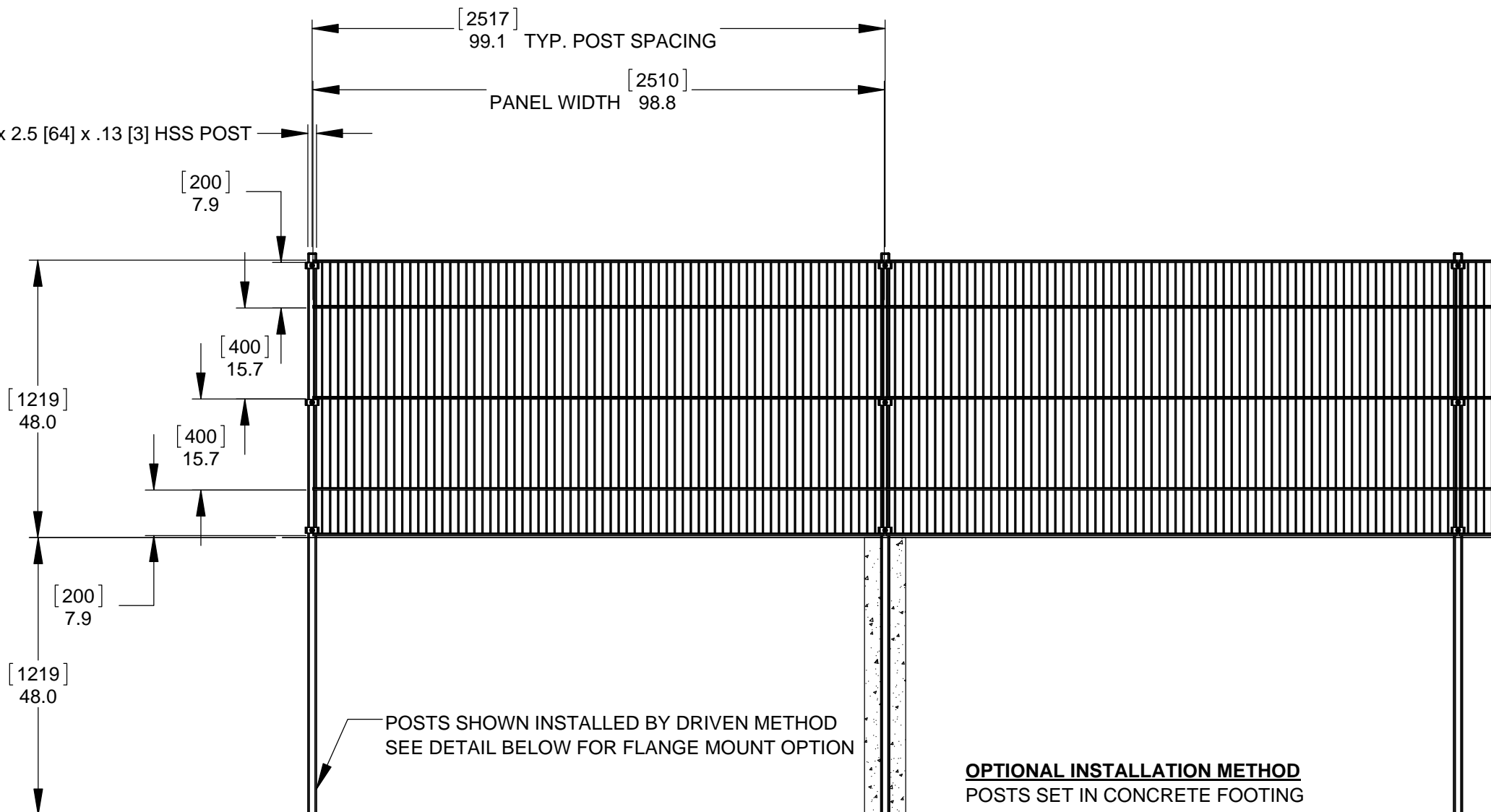
**FLANGE MOUNT**



**UNI-CHILD WELDED WIRE PANEL**



1.5 [38] x 2.5 [64] x .13 [3] HSS POST



- NOTES:**  
 FINISH:  
 - GALVANIZED  
 - BLACK POLYESTER POWDER COAT

Description:		<b>4' [1219mm] UNI CHILD WELDED WIRE FENCE</b>	
		1.5 [38] x 2.5 [64] RECTANGULAR POSTS	
Customer / Project Name:			
-			
Finish:		SEE NOTES	
Date:		1/26/2018	
Drawing No.		4' UNI CHILD	
Rev.		Sheet:	
		1 of 1	

**WALLACE INTERNATIONAL**

115 Lawson Crescent  
 Winnipeg, Manitoba, Canada, R3P 1A6  
 Phone: 1-866-300-1110  
 Fax: 1-204-284-1868  
 Web: www.wallaceintl.com