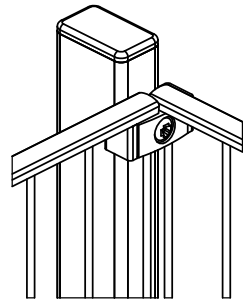
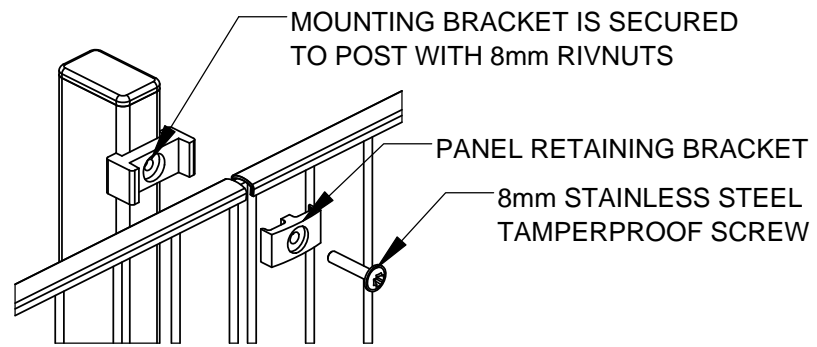


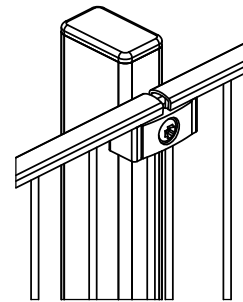
CORNER POST



PANEL MOUNTING DETAIL

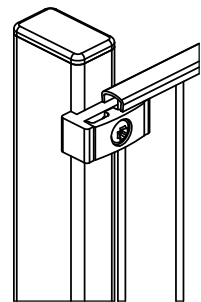


LINE POST

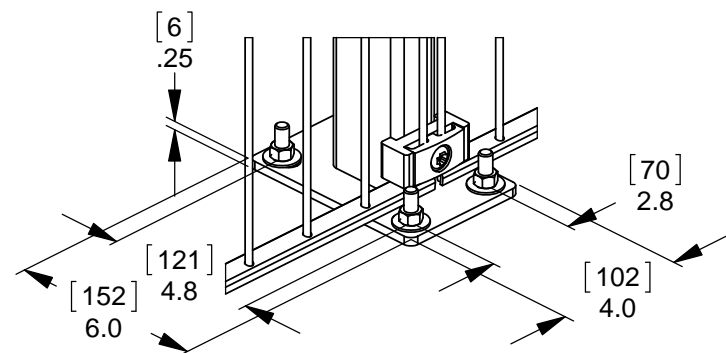


HEIGHT	QTY.
4' [1.2]	3
6' [1.8]	4
8' [2.4]	5

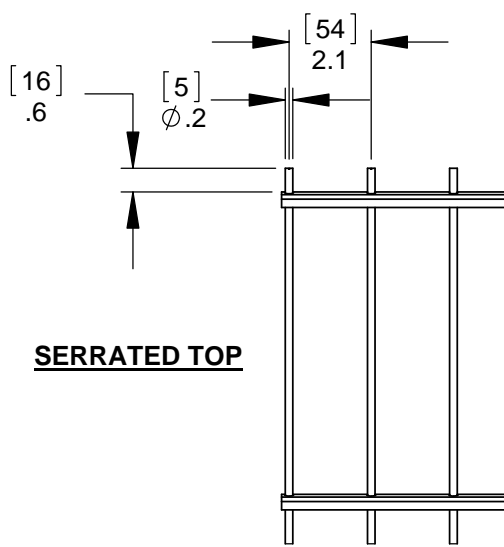
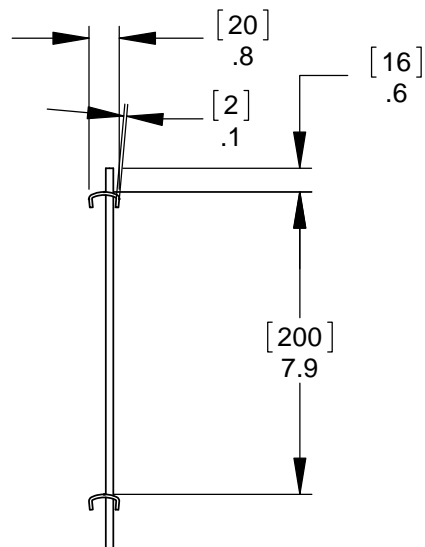
END POST



FLANGE MOUNT

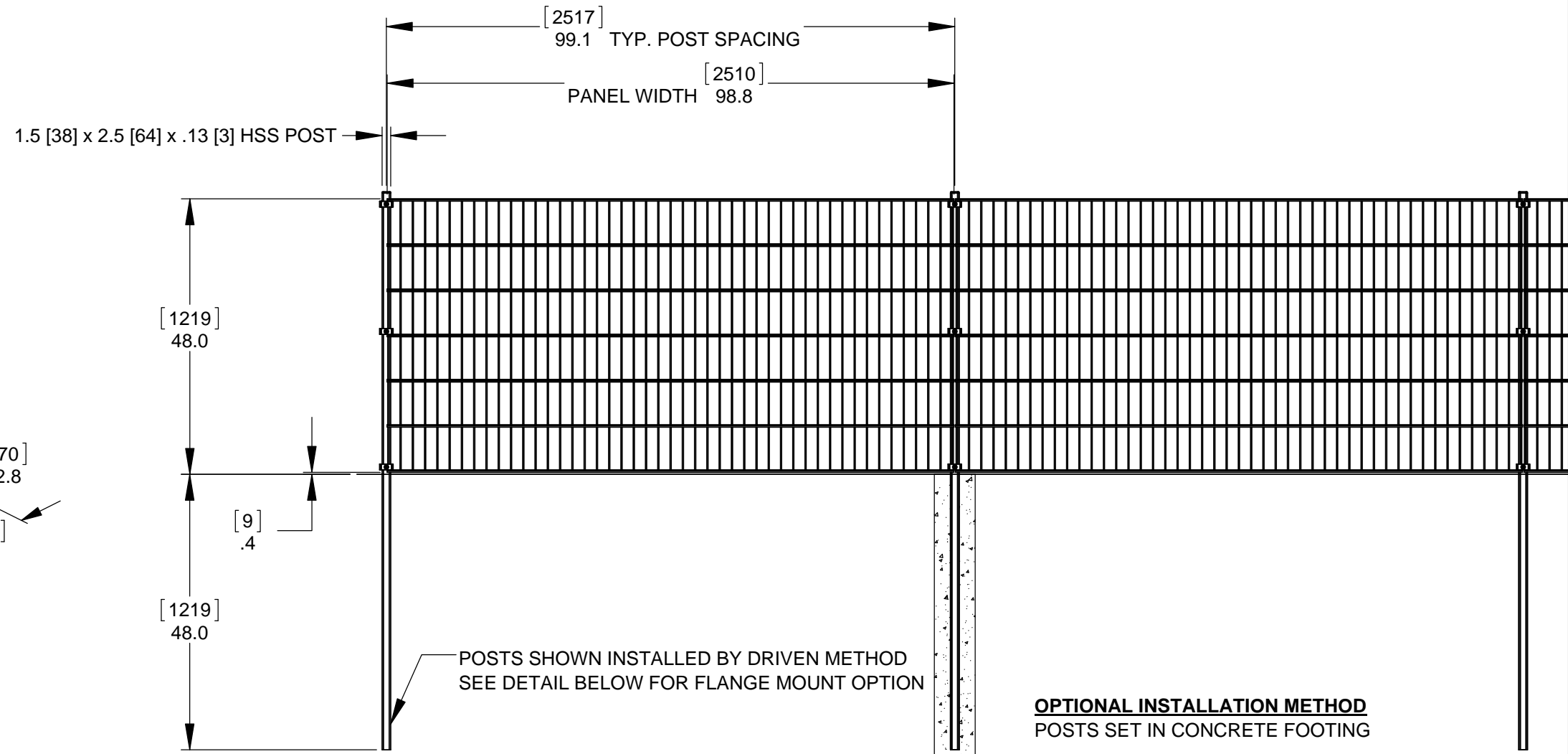
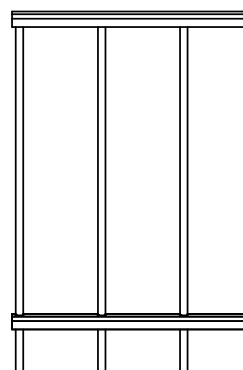


UNI-MID WELDED WIRE PANEL



SERRATED TOP

SMOOTH TOP



- NOTES:**
 FINISH:
 - GALVANIZED
 - BLACK POLYESTER POWDER COAT



90 Lowson Crescent
 Winnipeg, Manitoba, Canada, R3P 2H8
 Phone: 1-866-300-1110
 Fax: 1-204-284-1868
 Web: www.wallaceintl.com

Description: 4' [1.2M] UNI SECURITY WELDED WIRE FENCE 1.5 [38] x 2.5 [64] RECTANGULAR POSTS		
Customer / Project Name: -		
Finish: SEE NOTES	Date: 10/4/2017	
Drawing No. 4' UNI SECURITY	Rev.	Sheet: 1 of 1