

- NOTES:**
- STANDARD FINISH - HOT DIPPED GALVANIZED FINISH ON ALL STEEL COMPONENTS. ALUMINUM COMPONENTS MILL FINISH.
  - SEE SHEETS 2 AND 3 FOR GENERIC SITE LAYOUT AND INSTALLATION NOTES
  - SEE SHEET 4 FOR STANDARD PART DETAILS AND OPTIONAL COMPONENTS
  - SEE SHEETS 2 & 5 FOR CONDUIT LOCATIONS AND REQUIREMENTS

NOTE: DIMENSIONS ARE SHOWN IN INCHES. DIMENSIONS SHOWN IN BRACKETS [ ] ARE IN MILLIMETERS

Alpha Model	H	A	B	C	D	U max
16 / 6	72.0 [1829]	199.6 [5069]	100.2 [2546]	199.6 [5069]	192.0 [4876]	507.0 [12879]
16 / 8	96.0 [2438]					
20 / 6	72.0 [1829]	247.6 [6288]	87.7 [2227]	247.6 [6288]	240.0 [6095]	590.5 [14998]
20 / 8	96.0 [2438]					
24 / 6	72.0 [1829]	295.8 [7513]	110.3 [2802]	295.8 [7513]	288.0 [7320]	709.6 [18023]
24 / 8	96.0 [2438]					
30 / 6	72.0 [1829]	367.7 [9340]	121.0 [3075]	367.7 [9340]	360.0 [9147]	864.2 [21950]
30 / 8	96.0 [2438]					

Product must be installed in accordance with ASTM: F-2200 & UL325



115 Lawson Crescent  
 Winnipeg, Manitoba, Canada, R3P 1A6  
 Phone: 1-866-300-1110  
 Fax: 1-204-284-1868  
 www.wallaceperimetersecurity.com

Description:  
**ALPHA GATE STANDARD DIMENSIONS**

Customer / Project Name:  
 -

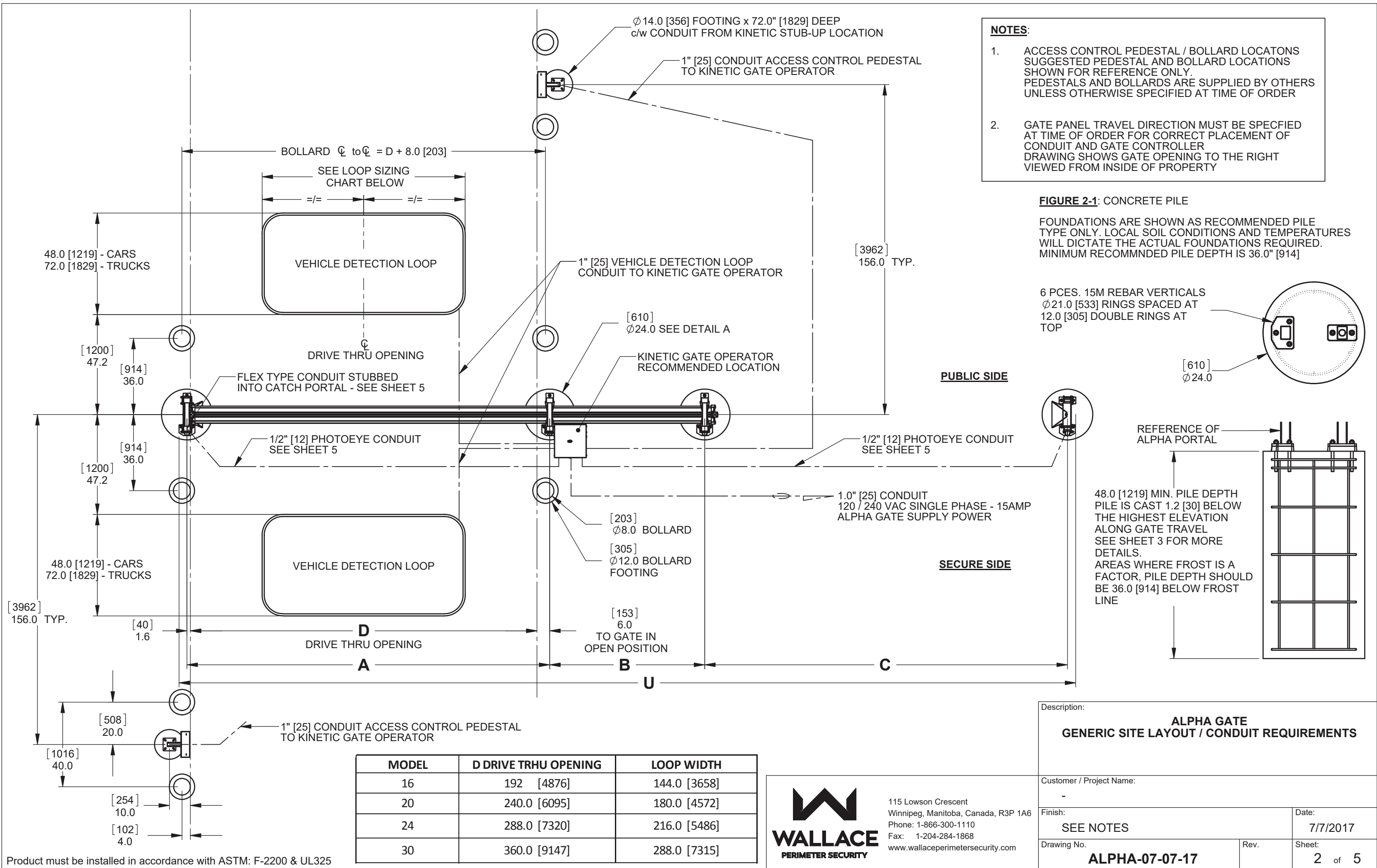
Finish:  
 SEE NOTES

Drawing No.  
**ALPHA-07-07-17**

Date:  
 7/7/2017

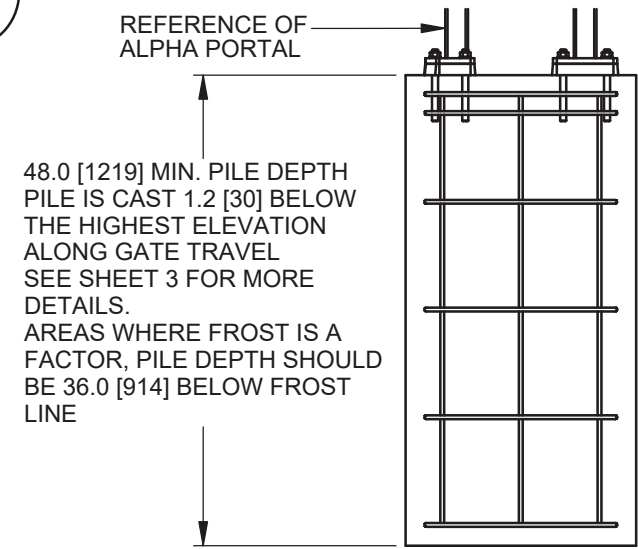
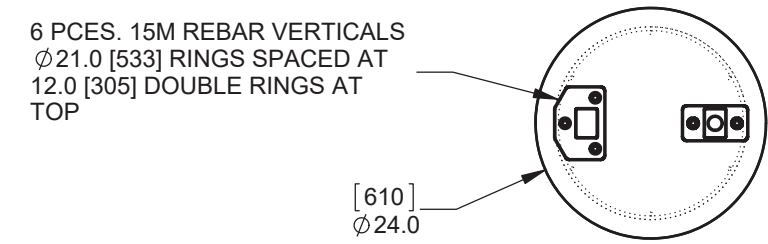
Rev.  
 -

Sheet:  
 1 of 5



- NOTES:**
- ACCESS CONTROL PEDESTAL / BOLLARD LOCATIONS SUGGESTED PEDESTAL AND BOLLARD LOCATIONS SHOWN FOR REFERENCE ONLY. PEDESTALS AND BOLLARDS ARE SUPPLIED BY OTHERS UNLESS OTHERWISE SPECIFIED AT TIME OF ORDER
  - GATE PANEL TRAVEL DIRECTION MUST BE SPECIFIED AT TIME OF ORDER FOR CORRECT PLACEMENT OF CONDUIT AND GATE CONTROLLER. DRAWING SHOWS GATE OPENING TO THE RIGHT VIEWED FROM INSIDE OF PROPERTY

**FIGURE 2-1: CONCRETE PILE**  
 FOUNDATIONS ARE SHOWN AS RECOMMENDED PILE TYPE ONLY. LOCAL SOIL CONDITIONS AND TEMPERATURES WILL DICTATE THE ACTUAL FOUNDATIONS REQUIRED. MINIMUM RECOMMENDED PILE DEPTH IS 36.0" [914]



MODEL	D DRIVE TRHU OPENING	LOOP WIDTH
16	192 [4876]	144.0 [3658]
20	240.0 [6095]	180.0 [4572]
24	288.0 [7320]	216.0 [5486]
30	360.0 [9147]	288.0 [7315]

**WALLACE PERIMETER SECURITY**

115 Lawson Crescent  
 Winnipeg, Manitoba, Canada, R3P 1A6  
 Phone: 1-866-300-1110  
 Fax: 1-204-284-1868  
 www.wallaceperimetersecurity.com

Description: **ALPHA GATE GENERIC SITE LAYOUT / CONDUIT REQUIREMENTS**

Customer / Project Name: -

Finish: SEE NOTES

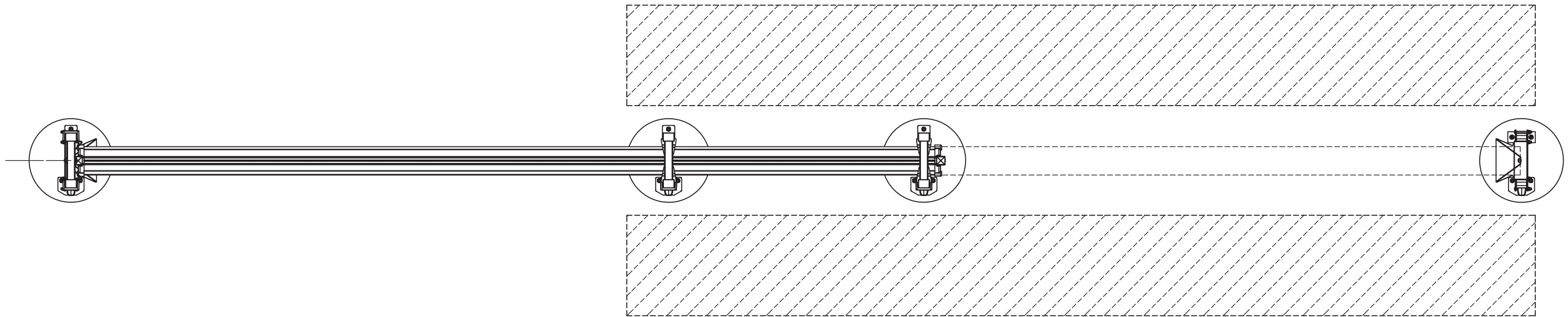
Drawing No. **ALPHA-07-07-17**

Date: 7/7/2017

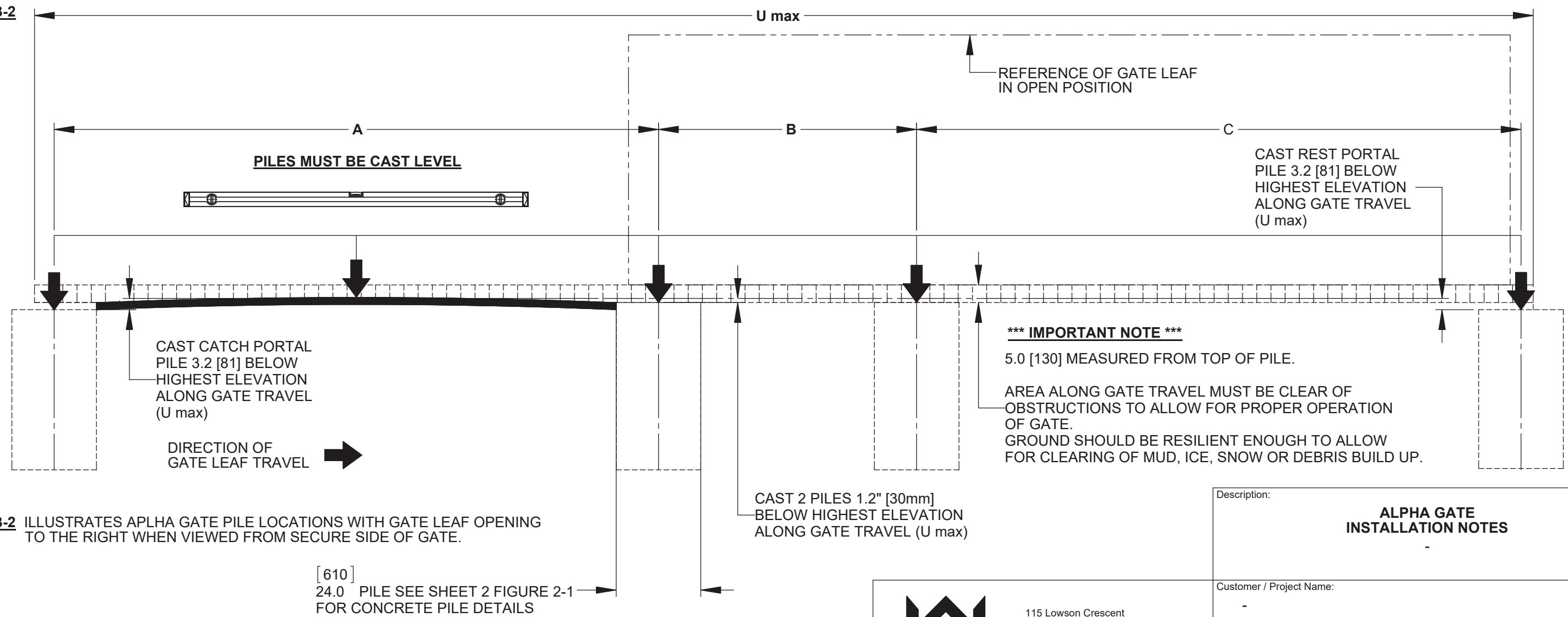
Rev. \_\_\_\_\_ Sheet: 2 of 5

Product must be installed in accordance with ASTM: F-2200 & UL325

**FIGURE 3-1**



**FIGURE 3-2**



**FIGURE 3-2** ILLUSTRATES ALPHA GATE PILE LOCATIONS WITH GATE LEAF OPENING TO THE RIGHT WHEN VIEWED FROM SECURE SIDE OF GATE.

[ 610 ]  
24.0 PILE SEE SHEET 2 FIGURE 2-1  
FOR CONCRETE PILE DETAILS

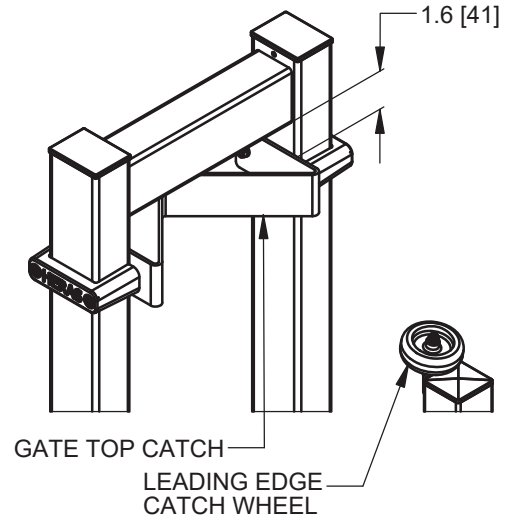
Description:		<b>ALPHA GATE INSTALLATION NOTES</b>	
Customer / Project Name:		-	
Finish:	SEE NOTES	Date:	7/7/2017
Drawing No.	<b>ALPHA-07-07-17</b>	Rev.	Sheet: 3 of 5



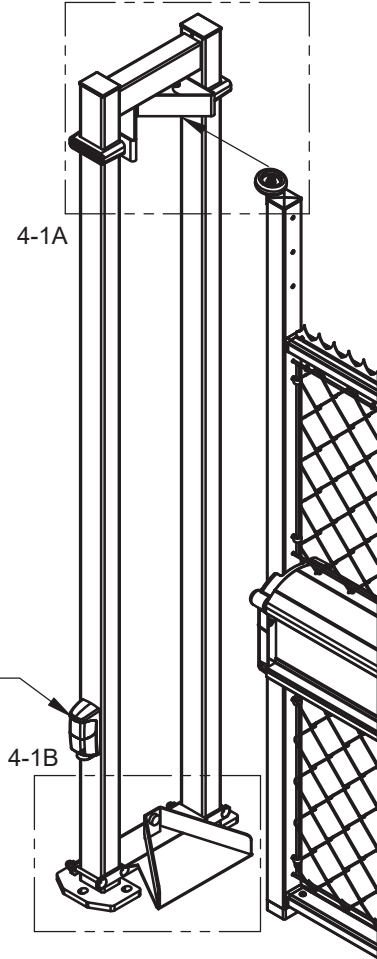
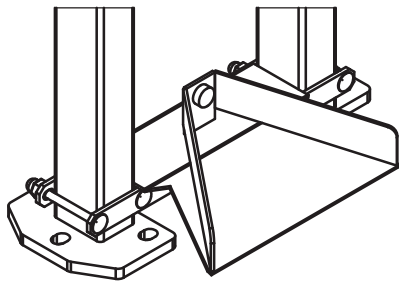
115 Lawson Crescent  
Winnipeg, Manitoba, Canada, R3P 1A6  
Phone: 1-866-300-1110  
Fax: 1-204-284-1868  
www.wallaceperimetersecurity.com

**DETAIL 4-1 - CATCH PORTAL DETAILS**

**DETAIL 4-1A - LEADING EDGE CATCH WHEEL**

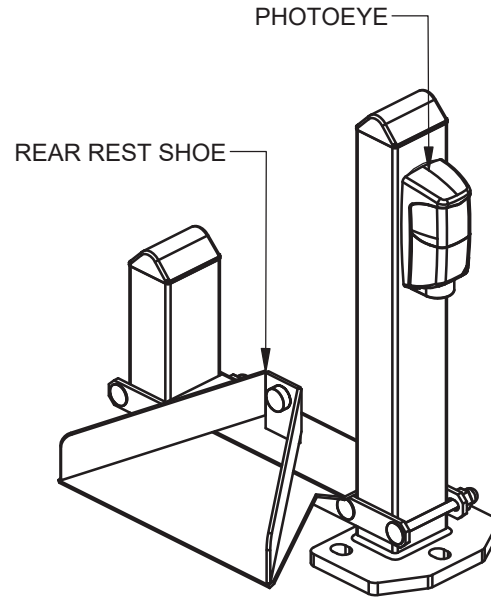


**DETAIL 4-1B - GATE CATCH SHOE / RUN ON PLATE**

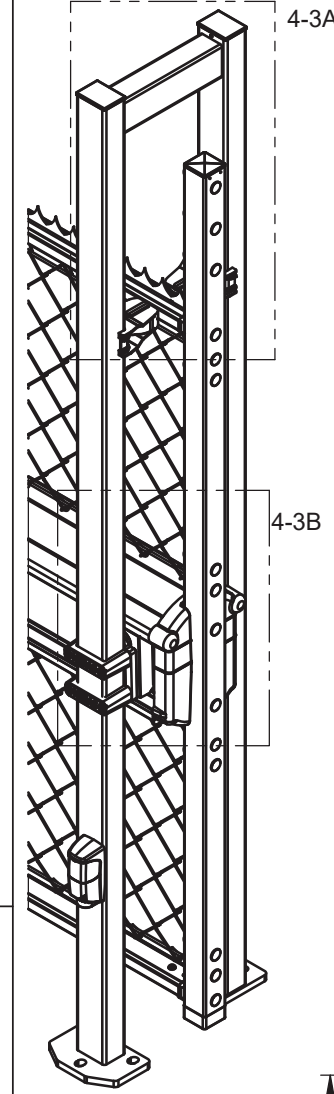


**DETAIL 4-2 - REAR REST SHOE**

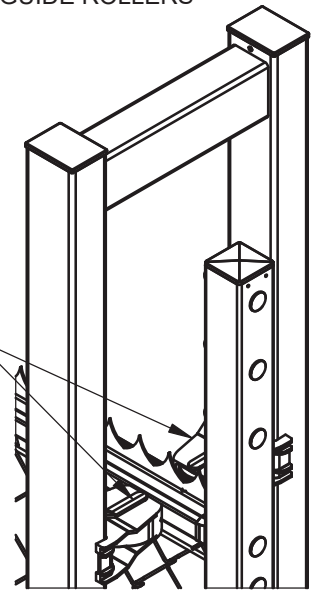
REAR REST SHOE WILL SUPPORT GATE PANEL IF THE GATE IS TO BE LEFT IN THE OPEN POSITION FOR EXTENDED PERIODS OF TIME.



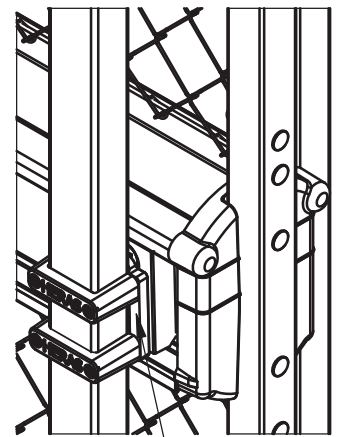
**DETAIL 4-3 - ROLLERS**



**DETAIL 4-3A TOP RAIL GUIDE ROLLERS**

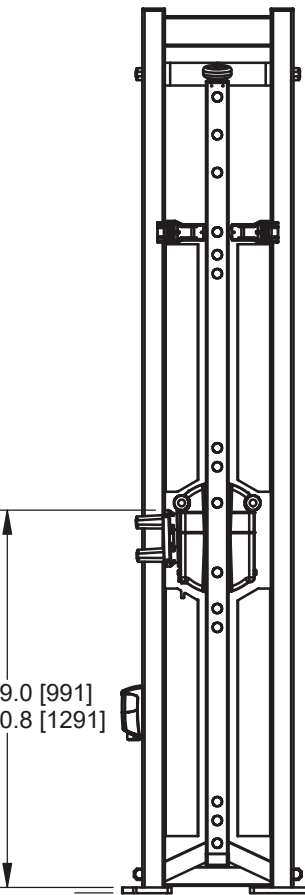


**DETAIL 4-3B ROLLER SET**

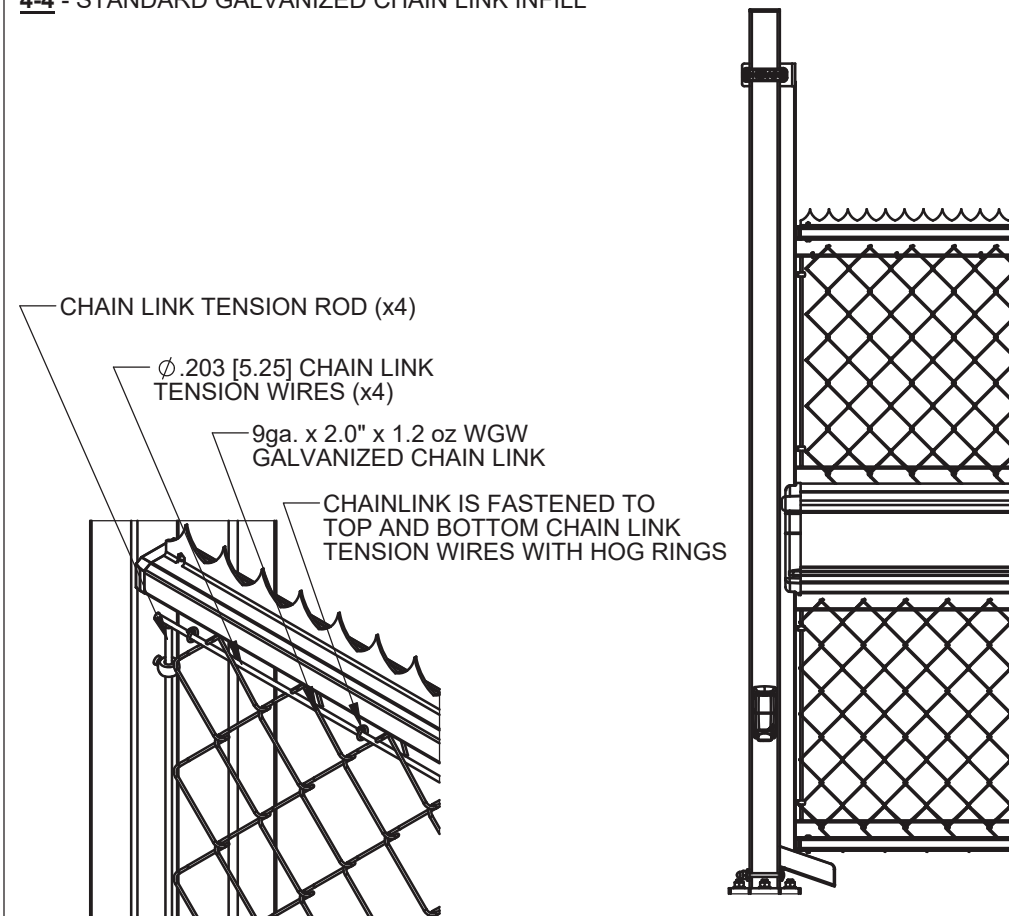


6 FT. - 39.0 [991]  
8 FT. - 50.8 [1291]

**DETAIL 4-3C CANTILEVER ROLLER HEIGHTS**



**4-4 - STANDARD GALVANIZED CHAIN LINK INFILL**

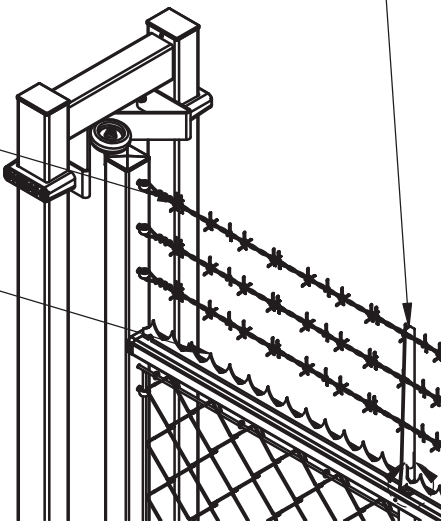


**4-5 - BARB WIRE ANTI-CLIMB**

BARB ARM SECURED TO TOP RAIL. SEE **DETAIL 4-5A**

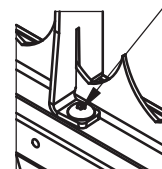
3 STRANDS BARBED WIRE SECURED TO PANEL END POST

STANDARD SERRATED TOP RAIL



**DETAIL 4-5A - BARB ARM MOUNTING**

BARB ARM IS SECURED TO TOP RAIL USING 1/4" [6] TAMPERPROOF SCREWS AT EVERY 3rd PICKET LOCATION. 2 SCREWS PER BARB ARM



115 Lawson Crescent  
Winnipeg, Manitoba, Canada, R3P 1A6  
Phone: 1-866-300-1110  
Fax: 1-204-284-1868  
www.wallaceperimetersecurity.com

Description:  
**ALPHA GATE  
STANDARD / OPTIONAL COMPONENTS**

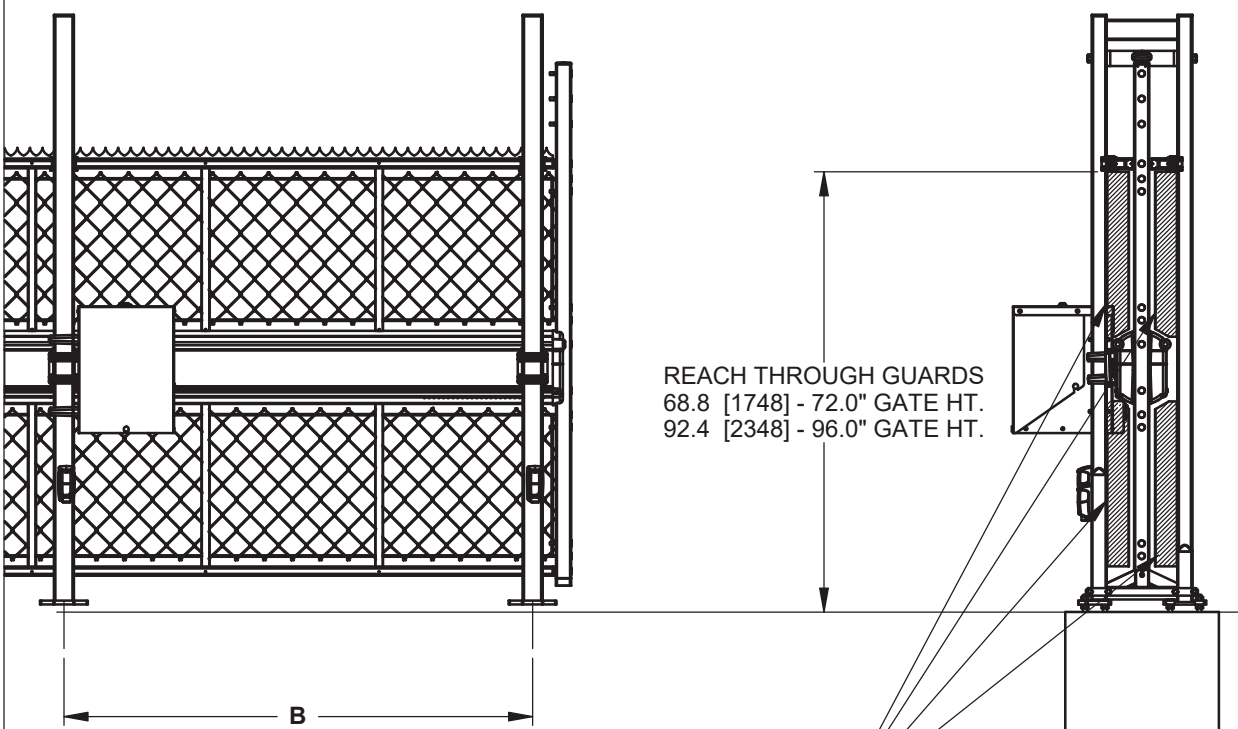
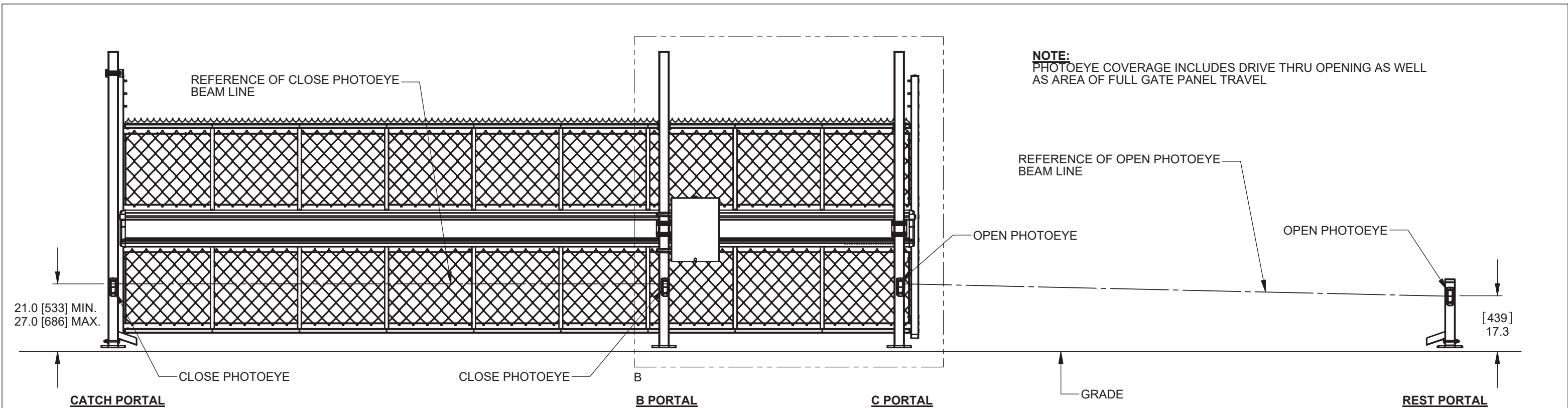
Customer / Project Name:

Finish:  
SEE NOTES

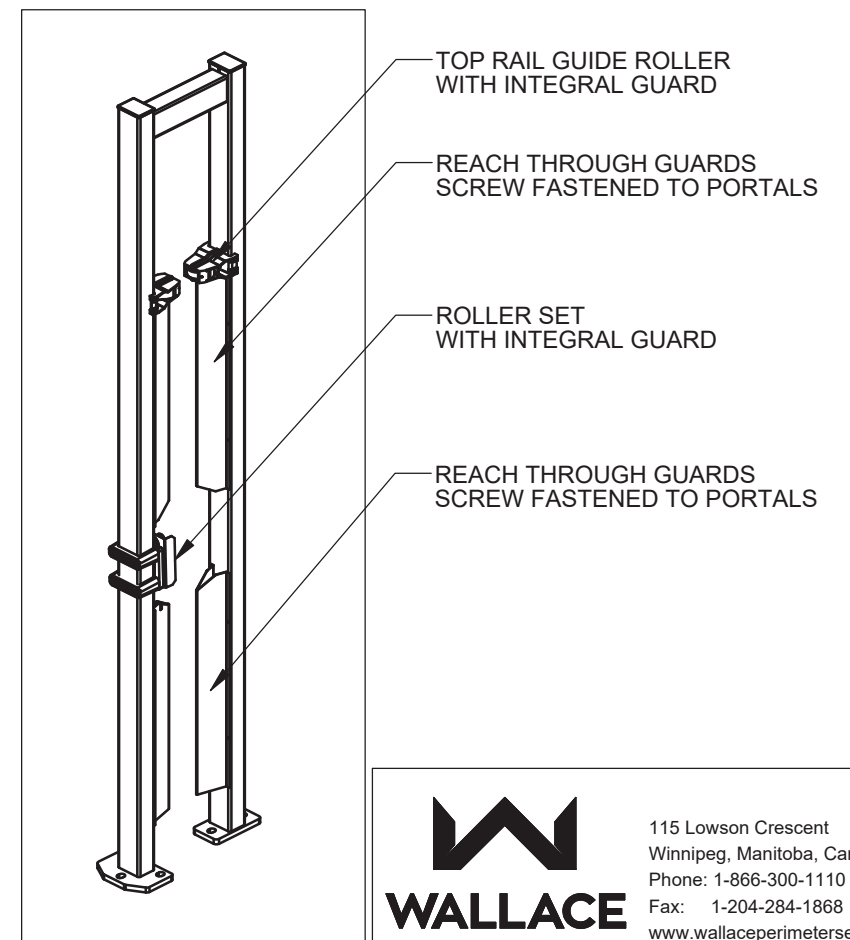
Drawing No.  
**ALPHA-07-07-17**

Date:  
7/7/2017

Rev. Sheet:  
4 of 5



**B PORTAL DETAIL - SAFETY DEVICES**



B PORTAL HAS "REACH THROUGH" GUARDS SHOWN IN SHADED AREA PER ASTM F2200 - Paragraph 6.1.4, MAXIMUM GAP BETWEEN GATE PANEL AND FIXED STATIONARY OBJECT SHOULD NOT EXCEED 2.25" [57]

Product must be installed in accordance with ASTM: F-2200 & UL325

115 Lawson Crescent  
Winnipeg, Manitoba, Canada, R3P 1A6  
Phone: 1-866-300-1110  
Fax: 1-204-284-1868  
www.wallaceperimetersecurity.com

Description:		<b>ALPHA GATE PHOTOEYES / SAFETY DEVICES</b>	
Customer / Project Name:		-	
Finish:	SEE NOTES	Date:	7/7/2017
Drawing No.	<b>ALPHA-07-07-17</b>	Rev.	Sheet: 5 of 5