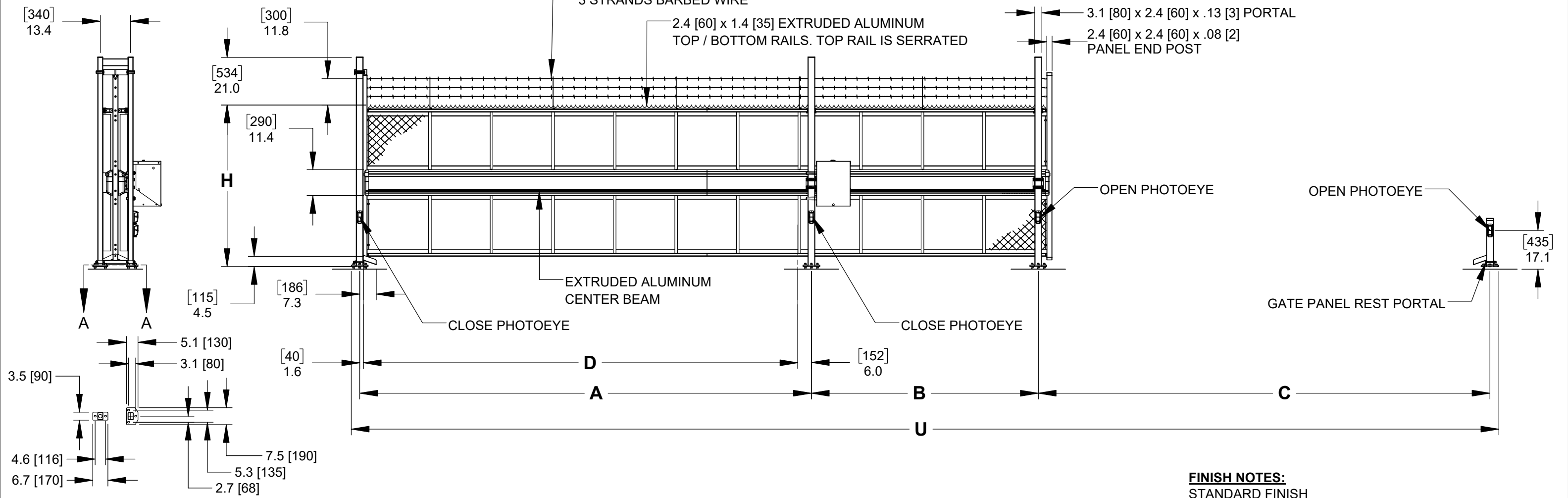
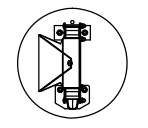




[610]
 Ø24.0 PILE
 SEE SHEET 3 FOR IMPORTANT
 PILE ELEVATION NOTES

KINETIC GATE OPERATOR



DIMENSIONS ARE SHOWN IN INCHES, DIMENSIONS SHOWN IN [] ARE IN MILLIMETERS

Alpha Model	H	A	B	C	D	U
16 / 6	72.0 [1829]	199.6 [5069]	100.2 [2546]	199.6 [5069]	192.0 [4876]	507.0 [12879]
16 / 8	96.0 [2438]					
20 / 6	72.0 [1829]	247.6 [6288]	87.7 [2227]	247.6 [6288]	240.0 [6095]	590.5 [14998]
20 / 8	96.0 [2438]					
24 / 6	72.0 [1829]	295.8 [7513]	110.3 [2802]	295.8 [7513]	288.0 [7320]	709.6 [18023]
24 / 8	96.0 [2438]					
30 / 6	72.0 [1829]	367.7 [9340]	121.0 [3075]	367.7 [9340]	360.0 [9147]	864.2 [21950]
30 / 8	96.0 [2438]					

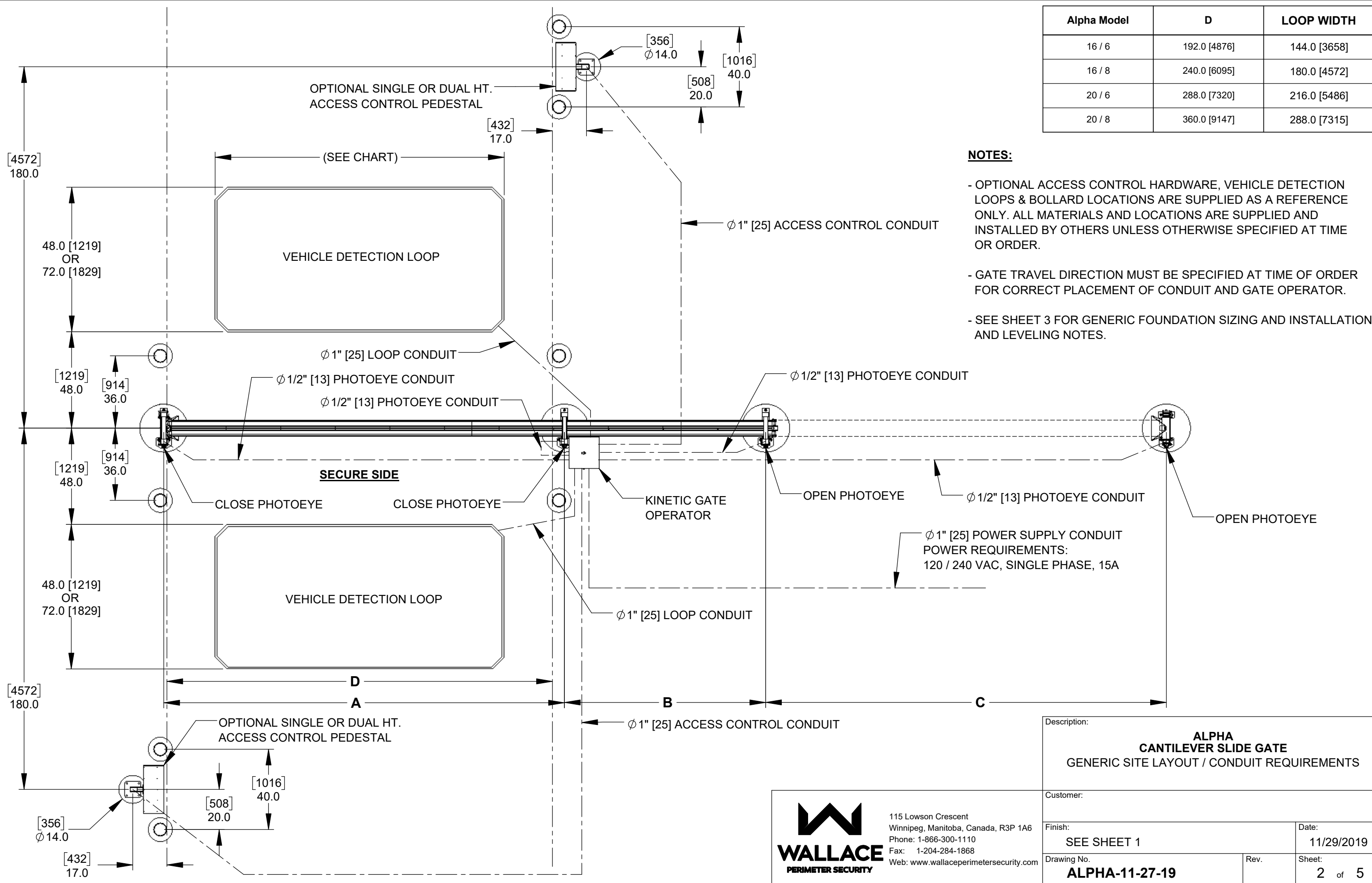
FINISH NOTES:
 STANDARD FINISH
 HOT DIPPED GALVANIZED ON ALL STEEL COMPONENTS
 MILL FINISH ON ALL ALUMINUM COMPONENTS

OPTIONAL FINISH
 POWDER COAT PAINT, RAL# TO BE SPECIFIED

Description: ALPHA CANTILEVER SLIDE GATE		
Customer:		
Finish: SEE FINISH NOTES	Date: 11/29/2019	
Drawing No. ALPHA-11-27-19	Rev.	Sheet: 1 of 5

115 Lawson Crescent
 Winnipeg, Manitoba, Canada, R3P 1A6
 Phone: 1-866-300-1110
 Fax: 1-204-284-1868
 Web: www.wallaceperimetersecurity.com

Alpha Model	D	LOOP WIDTH
16 / 6	192.0 [4876]	144.0 [3658]
16 / 8	240.0 [6095]	180.0 [4572]
20 / 6	288.0 [7320]	216.0 [5486]
20 / 8	360.0 [9147]	288.0 [7315]



Description:
ALPHA CANTILEVER SLIDE GATE
GENERIC SITE LAYOUT / CONDUIT REQUIREMENTS

Customer:

Finish:
SEE SHEET 1

Drawing No.
ALPHA-11-27-19

Date:
11/29/2019

Rev.

Sheet:
2 of 5

WALLACE PERIMETER SECURITY

115 Lawson Crescent
Winnipeg, Manitoba, Canada, R3P 1A6
Phone: 1-866-300-1110
Fax: 1-204-284-1868
Web: www.wallaceperimetersecurity.com

FIGURE 3-1: PILE INSTALLATION

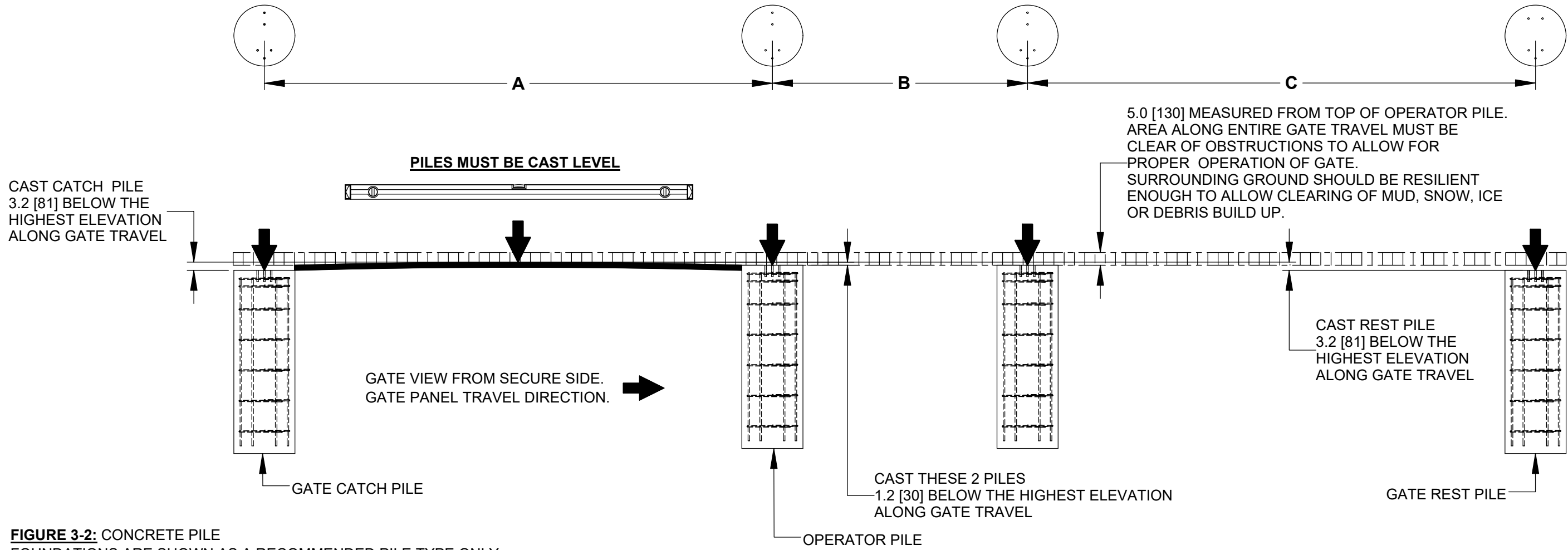


FIGURE 3-2: CONCRETE PILE
 FOUNDATIONS ARE SHOWN AS A RECOMMENDED PILE TYPE ONLY. LOCAL SOIL CONDITIONS AND TEMPERATURES WILL DICTATE THE ACTUAL FOUNDATIONS REQUIRED. MINIMUM RECOMMENDED PILE DEPTH IS 48.0" [1219]

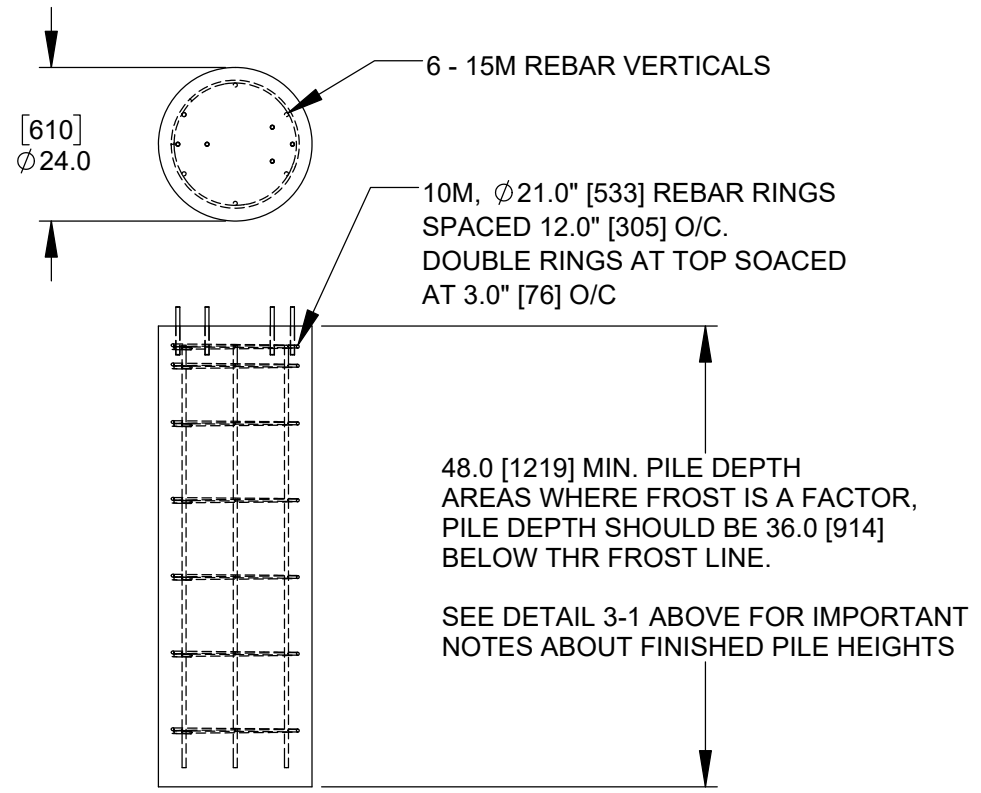
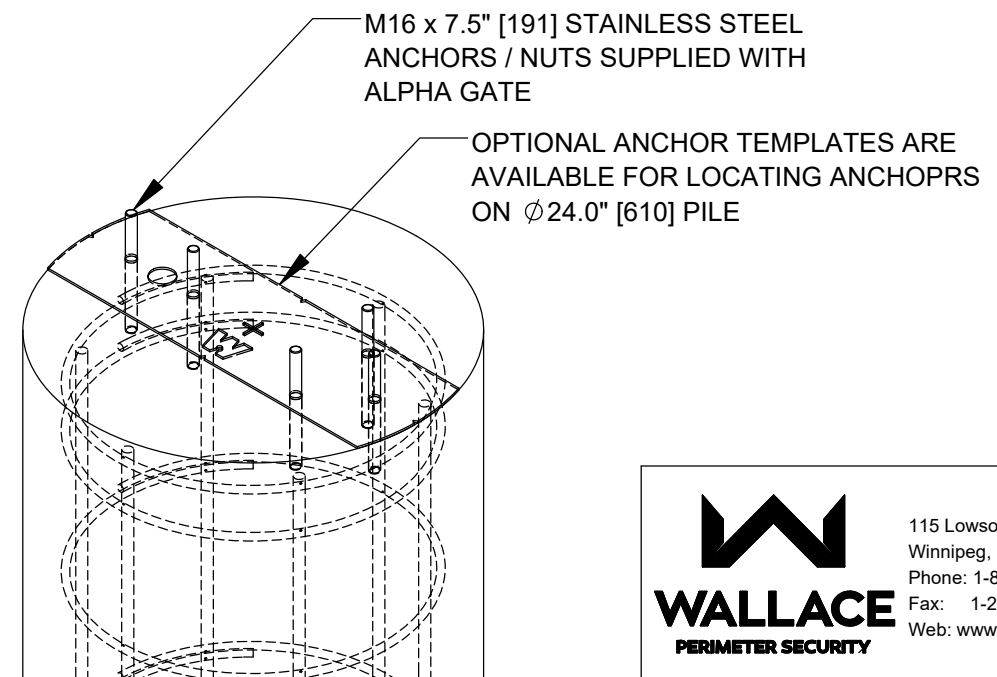


FIGURE 3-3: ANCHORS / ANCHOR TEMPLATE



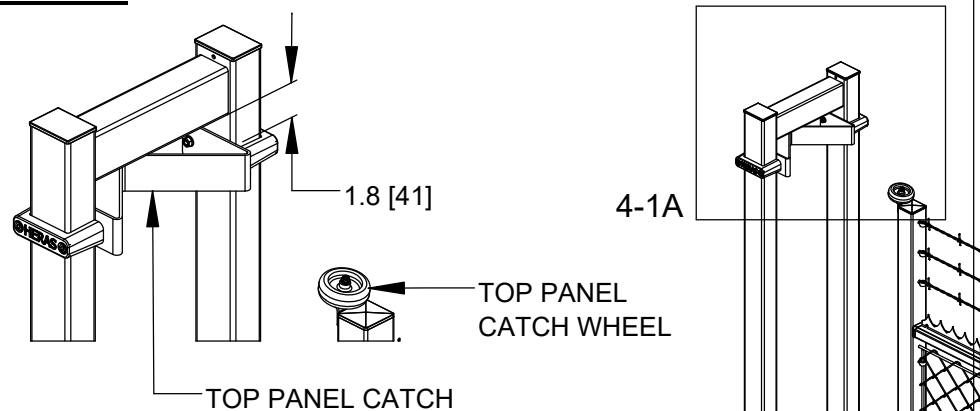
WALLACE
 PERIMETER SECURITY

115 Lawson Crescent
 Winnipeg, Manitoba, Canada, R3P 1A6
 Phone: 1-866-300-1110
 Fax: 1-204-284-1868
 Web: www.wallaceperimetersecurity.com

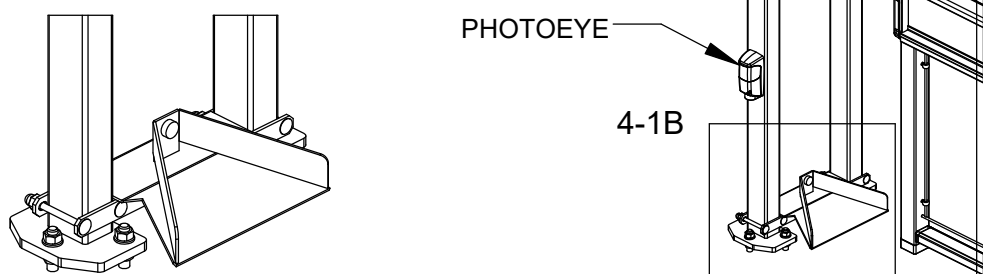
Description:		ALPHA CANTILEVER SLIDE GATE FOUNDATION INSTALLATION NOTES	
Customer:			
Finish:	SEE SHEET 1	Date:	11/27/2019
Drawing No.	ALPHA-11-27-19	Rev.	Sheet: 3 of 5

DETAIL 4-1 - CATCH PORTAL

DETAIL 4-1A - TOP PANEL CATCH

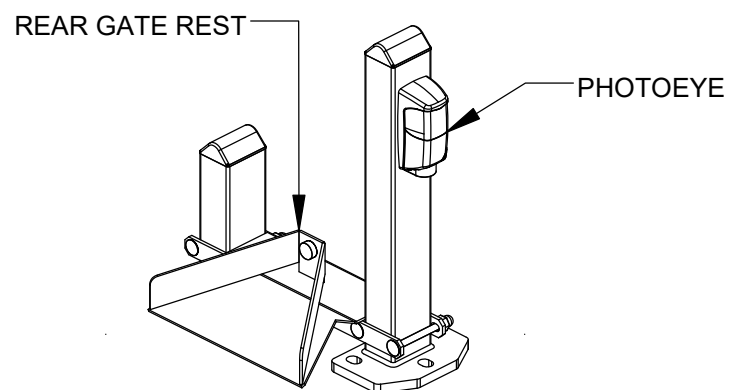


DETAIL 4-1B - GATE CATCH SHOE / RUN ON PLATE

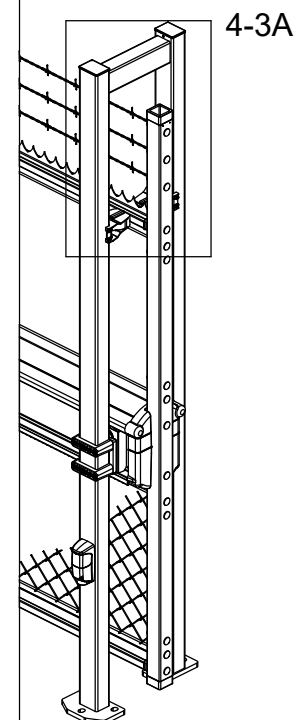


DETAIL 4-2 - REAR GATE REST

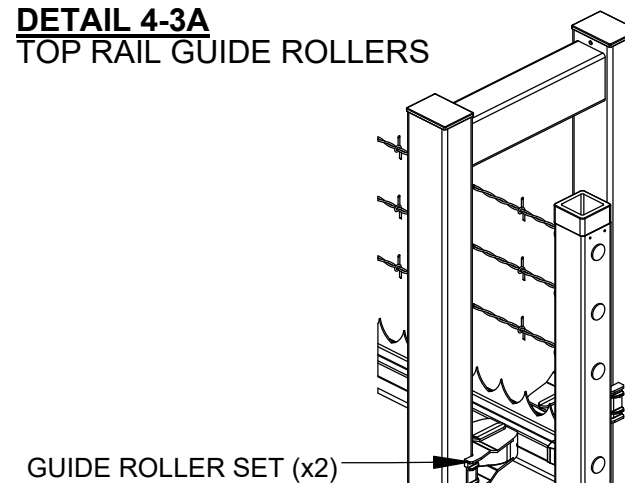
REAR GATE REST WILL SUPPORT THE GATE PANEL IF THE GATE IS TO BE LEFT OPEN FOR AN EXTENDED PERIOD OF TIME. OPEN PHOTOEYE IS ATTACHED TO THE REAR GATE REST.



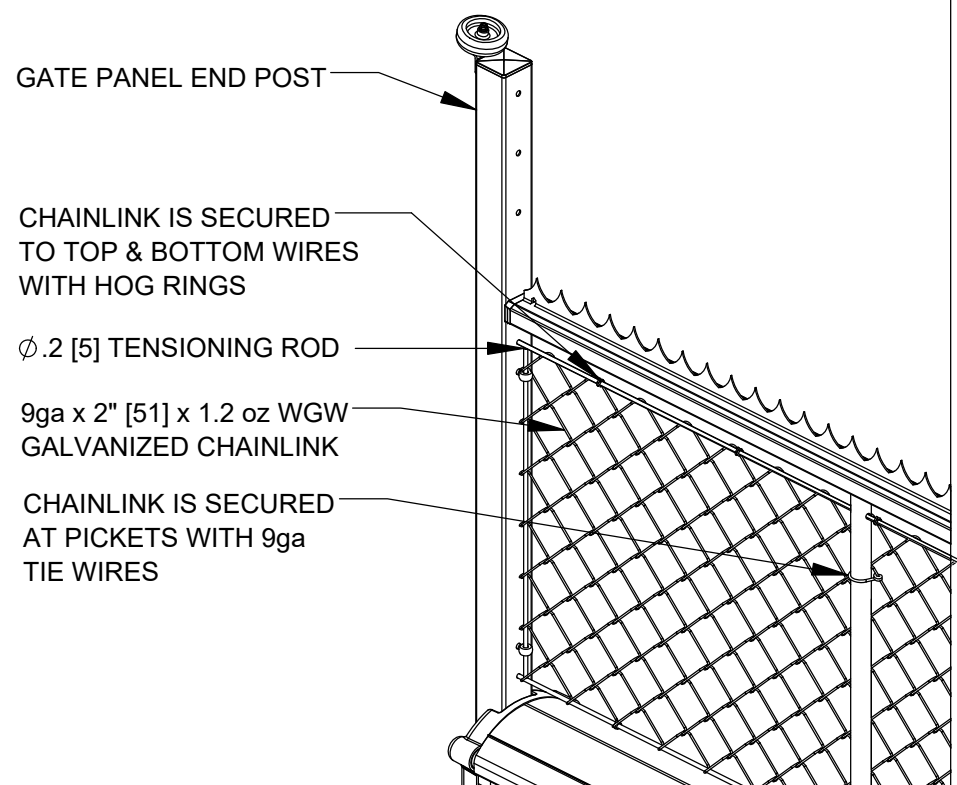
DETAIL 4-3 - ROLLERS



**DETAIL 4-3A
TOP RAIL GUIDE ROLLERS**

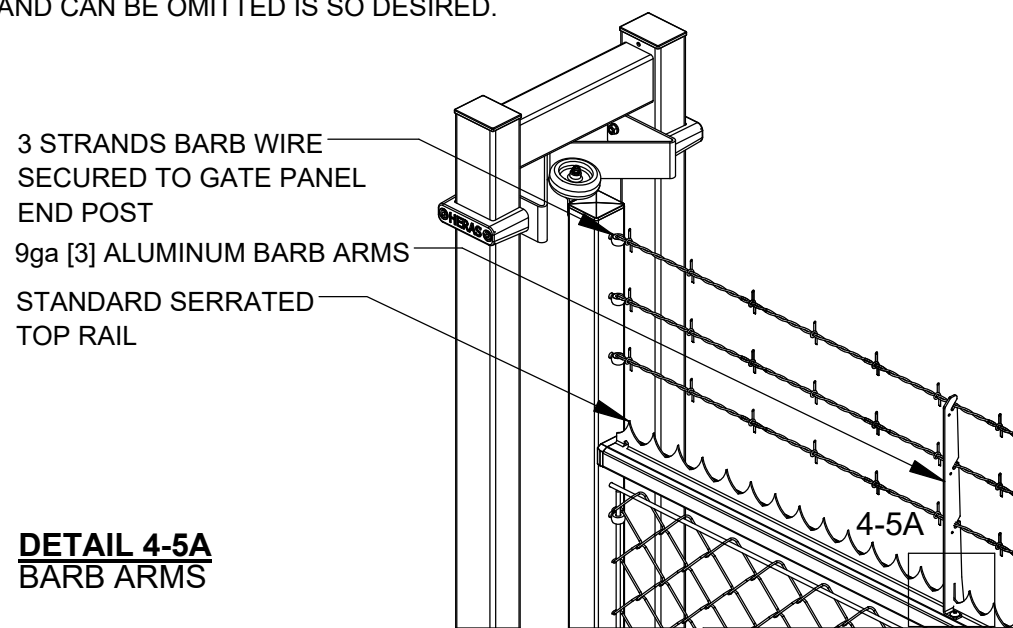


DETAIL 4-4 - STANDARD GALVANIZED CHAINLINK INFILL

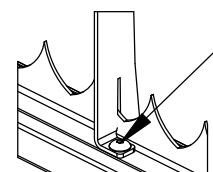


DETAIL 4-5 - BARB WIRE ANTI-CLIMB

NOTE:
BARB WIRE IS SUPPLIED WITH ALL GATES. INSTALLATION OF BARB WIRE IS NOT ESSENTIAL TO GATE OPERATION AND CAN BE OMITTED IS SO DESIRED.

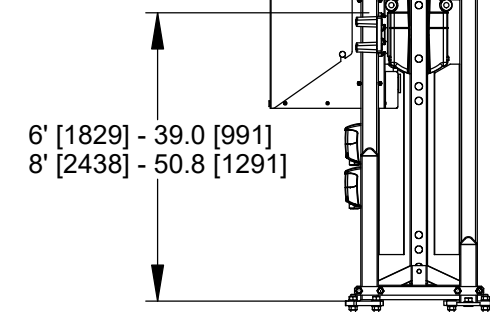


**DETAIL 4-5A
BARB ARMS**

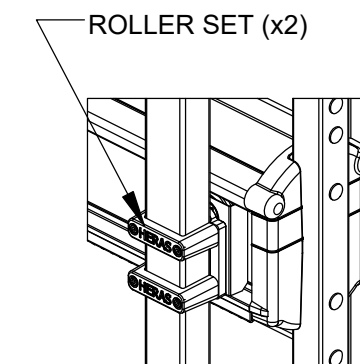


BARB ARMS ARE SECURED TO TOP RAIL WITH .2 [6] SELF TAPPING SECURITY SCREWS, 2 / BARB ARM

BEAM ROLLER HEIGHTS



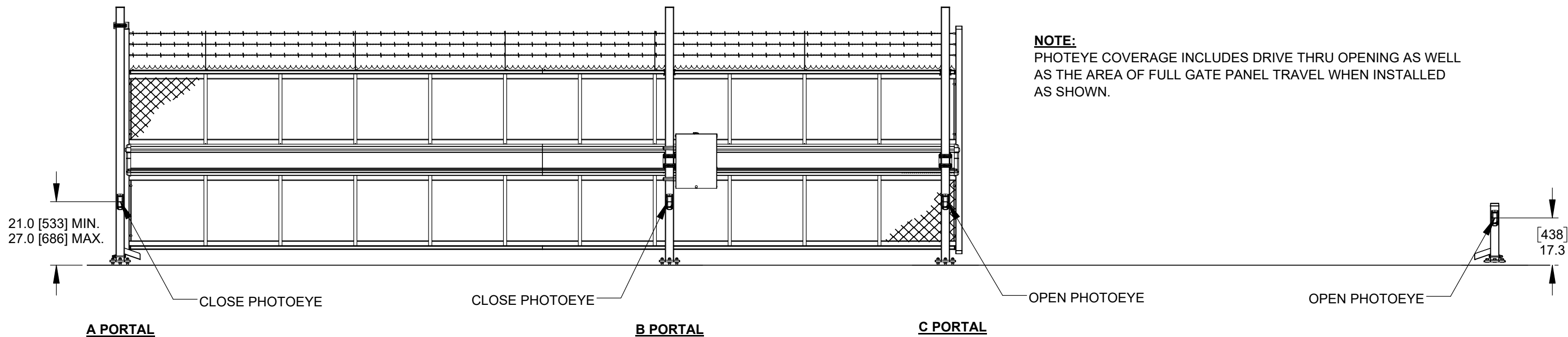
**DETAIL 4-3B
MAIN BEAM ROLLERS**



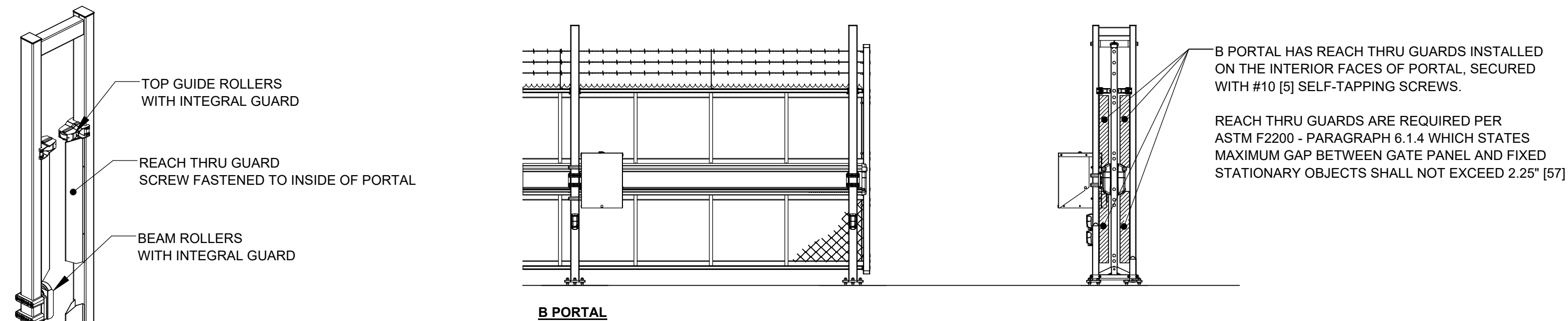
115 Lowson Crescent
Winnipeg, Manitoba, Canada, R3P 1A6
Phone: 1-866-300-1110
Fax: 1-204-284-1868
Web: www.wallaceperimetersecurity.com

Description:		ALPHA CANTILEVER SLIDE GATE	
Customer:			
Finish:	SEE SHEET 1	Date:	11/29/2019
Drawing No.	ALPHA-11-27-19	Rev.	Sheet: 4 of 5

DETAIL 5-1 - PHOTOEYES



DETAIL 5-2 - GUARDS



Description:		ALPHA CANTILEVER SLIDE GATE SAFETY DEVICES / GUARDS	
Customer:			
Finish:	SEE SHEET 1	Date:	11/29/2019
Drawing No.	ALPHA-11-27-19	Rev.	Sheet: 5 of 5

W

WALLACE
PERIMETER SECURITY

115 Lawson Crescent
Winnipeg, Manitoba, Canada, R3P 1A6
Phone: 1-866-300-1110
Fax: 1-204-284-1868
Web: www.wallaceperimetersecurity.com