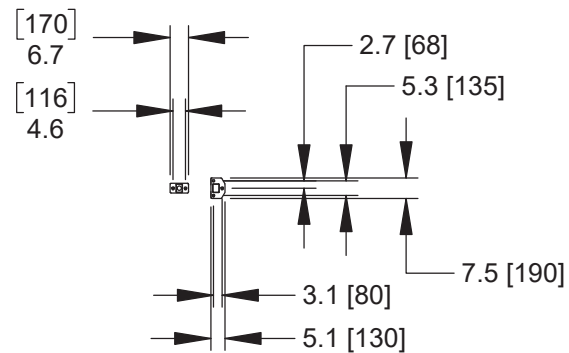


**SECTION A-A**



**FINISH NOTES:**  
**STANDARD FINISH**  
 HOT DIPPED GALVANIZED ON ALL STEEL COMPONENTS  
 MILL FINISH ON ALL ALUMINUM COMPONENTS

**OPTIONAL FINISH**  
 POWDER COAT PAINT, RAL# TO BE SPECIFIED

DIMENSIONS ARE SHOWN IN INCHES, DIMENSIONS SHOWN IN [ ] ARE IN MILLIMETERS

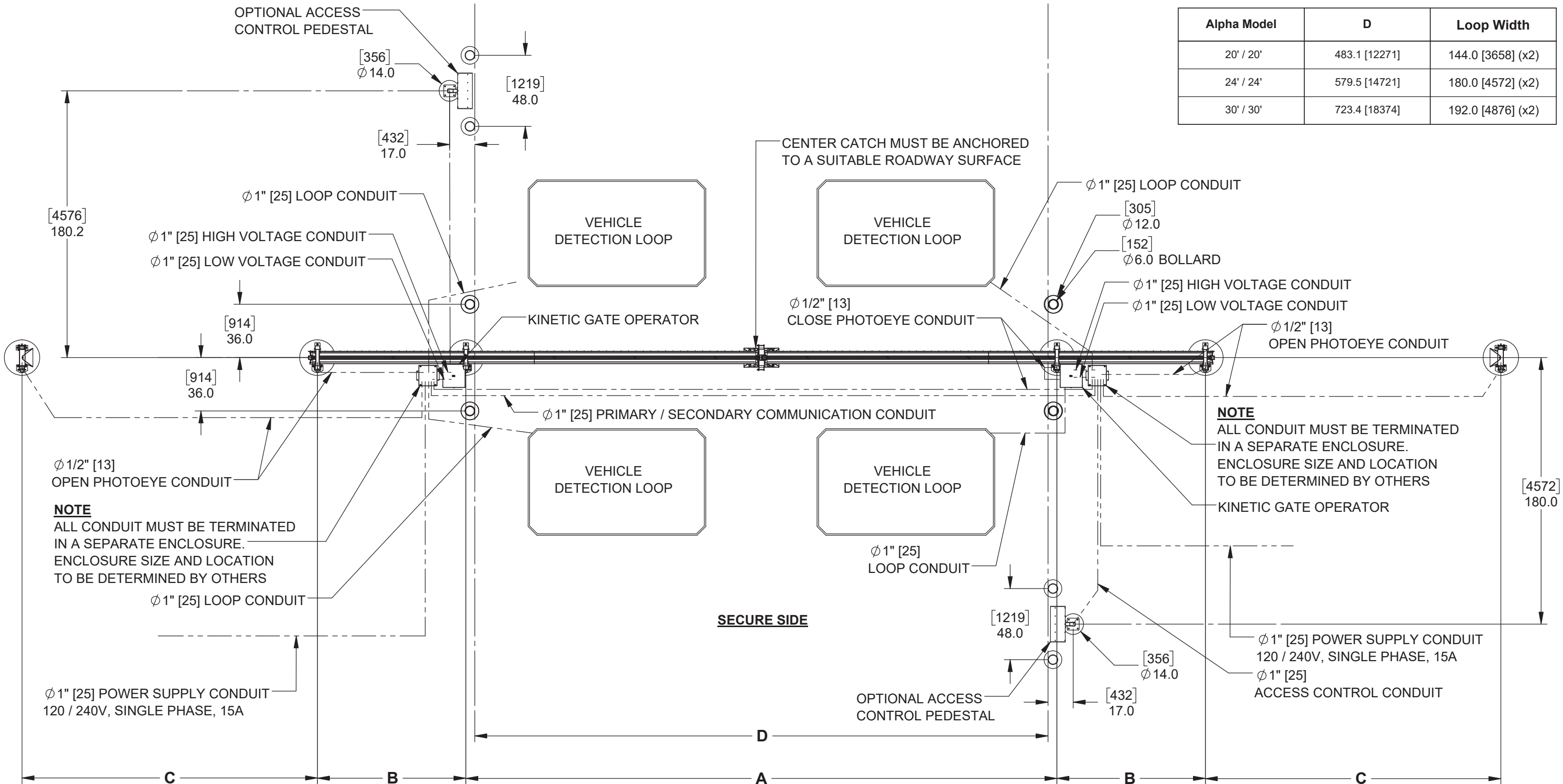
Alpha Model	H	A	B	C	D	U
20 / 20 / 6	72.0 [1829]	495.1 [12576]	87.7 [2227]	247.6 [6288]	483.1 [12271]	1174.3 [29826]
20 / 20 / 8	96.0 [2438]					
24 / 24 / 6	72.0 [1829]	591.6 [15026]	110.3 [2802]	295.8 [7513]	579.6 [14721]	1412.4 [35876]
24 / 24 / 8	96.0 [2438]					
30 / 30 / 6	72.0 [1829]	735.4 [18680]	121.0 [3075]	367.7 [9340]	723.4 [18375]	1721.7 [43730]
30 / 30 / 8	96.0 [2438]					



115 Lowson Crescent  
 Winnipeg, Manitoba, Canada, R3P 1A6  
 Phone: 1-866-300-1110  
 Fax: 1-204-284-1868  
 Web: www.wallaceperimetersecurity.com

Description:		<b>DOUBLE ALPHA CANTILEVER SLIDE GATE</b>	
Customer:			
Finish:	SEE FINISH NOTES	Date:	9/9/2024
Drawing No.	<b>ALPHA-DBL-01-06-20</b>	Rev.	Sheet: 1 of 5

Alpha Model	D	Loop Width
20' / 20'	483.1 [12271]	144.0 [3658] (x2)
24' / 24'	579.5 [14721]	180.0 [4572] (x2)
30' / 30'	723.4 [18374]	192.0 [4876] (x2)



**NOTE**  
ALL CONDUIT MUST BE TERMINATED IN A SEPARATE ENCLOSURE. ENCLOSURE SIZE AND LOCATION TO BE DETERMINED BY OTHERS

**NOTE**  
ALL CONDUIT MUST BE TERMINATED IN A SEPARATE ENCLOSURE. ENCLOSURE SIZE AND LOCATION TO BE DETERMINED BY OTHERS

**SECURE SIDE**

**NOTES:**

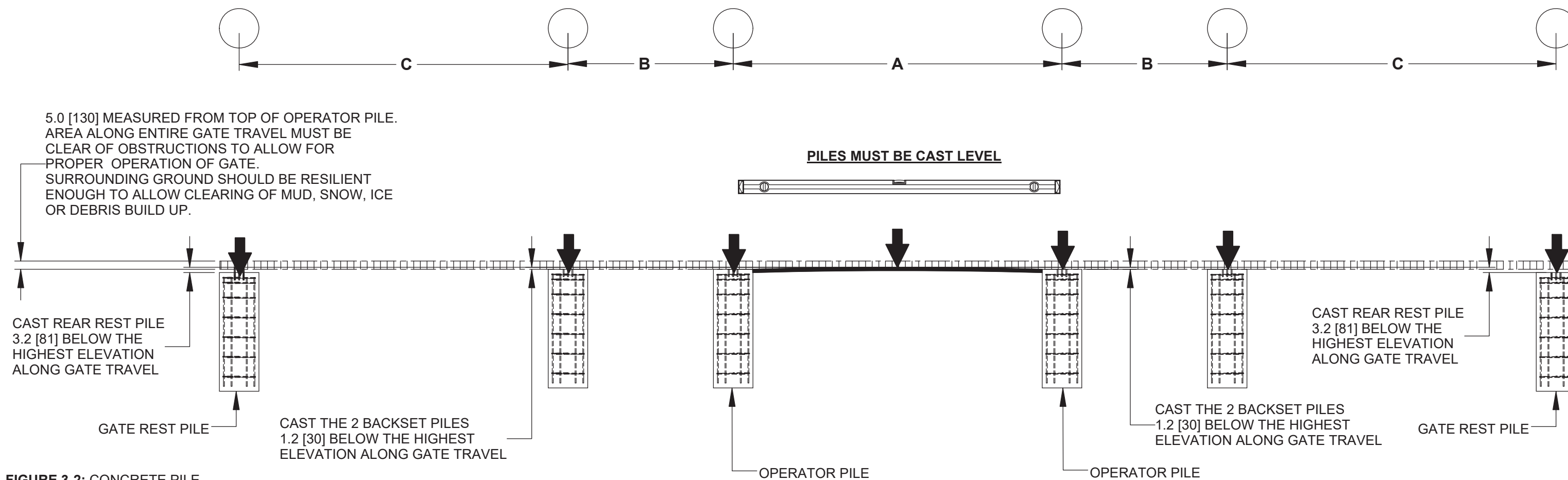
- OPTIONAL ACCESS CONTROL HARDWARE, VEHICLE DETECTION LOOPS & BOLLARD LOCATIONS ARE SUPPLIED AS A REFERENCE ONLY. ALL MATERIALS AND LOCATIONS ARE SUPPLIED AND INSTALLED BY OTHERS UNLESS OTHERWISE SPECIFIED AT TIME OR ORDER.
- SEE SHEET 3 FOR GENERIC FOUNDATION SIZING AND INSTALLATION AND LEVELING NOTES.

**WALLACE**  
PERIMETER SECURITY

115 Lowson Crescent  
Winnipeg, Manitoba, Canada, R3P 1A6  
Phone: 1-866-300-1110  
Fax: 1-204-284-1868  
Web: www.wallaceperimetersecurity.com

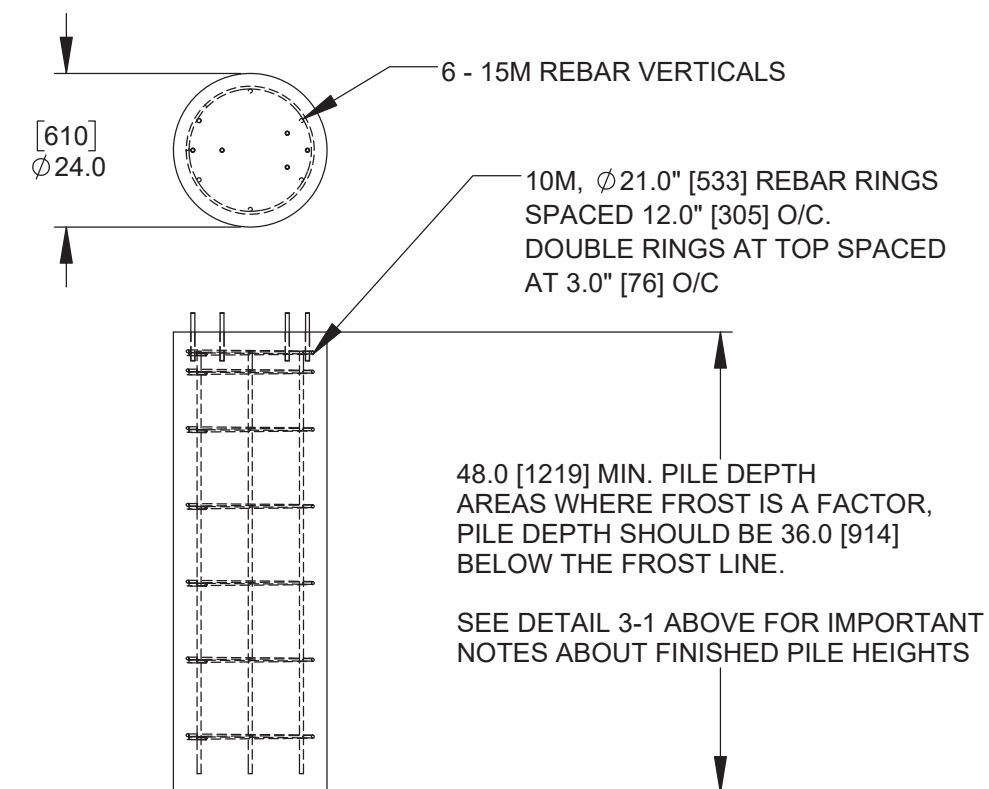
Description: <b>DOUBLE ALPHA CANTILEVER SLIDE GATE</b> GENERIC SITE LAYOUT / CONDUIT REQUIREMENTS	
Customer:	
Finish: SEE SHEET 1	Date: 9/9/2024
Drawing No. <b>ALPHA-DBL-01-06-20</b>	Rev. Sheet: 2 of 5

**FIGURE 3-1: PILE INSTALLATION**

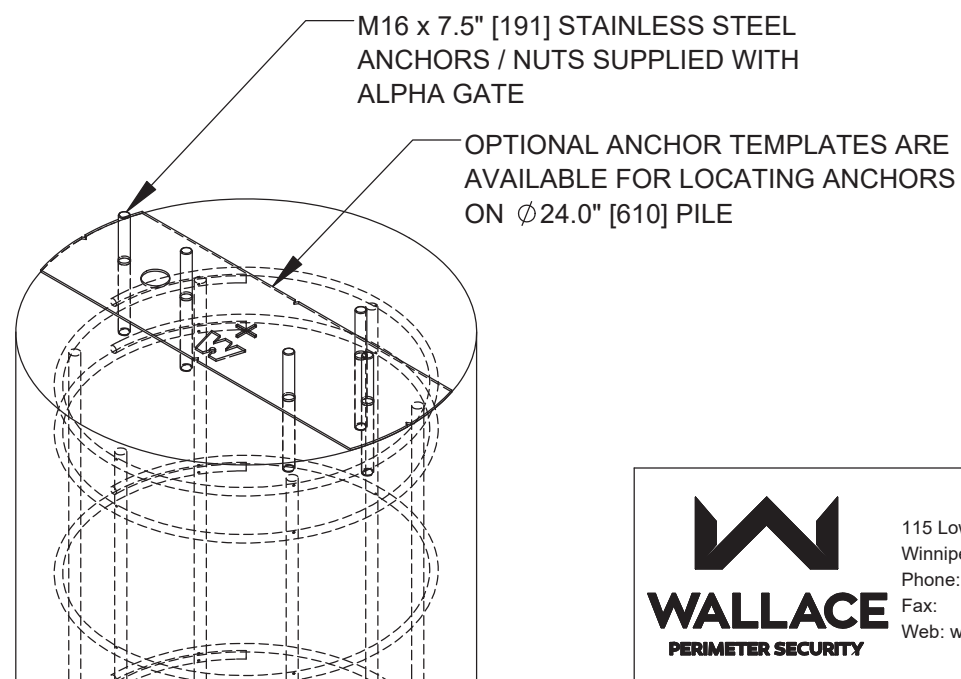


**FIGURE 3-2: CONCRETE PILE**

FOUNDATIONS ARE SHOWN AS A RECOMMENDED PILE TYPE ONLY. LOCAL SOIL CONDITIONS AND TEMPERATURES WILL DICTATE THE ACTUAL FOUNDATIONS REQUIRED. MINIMUM RECOMMENDED PILE DEPTH IS 48.0" [1219]



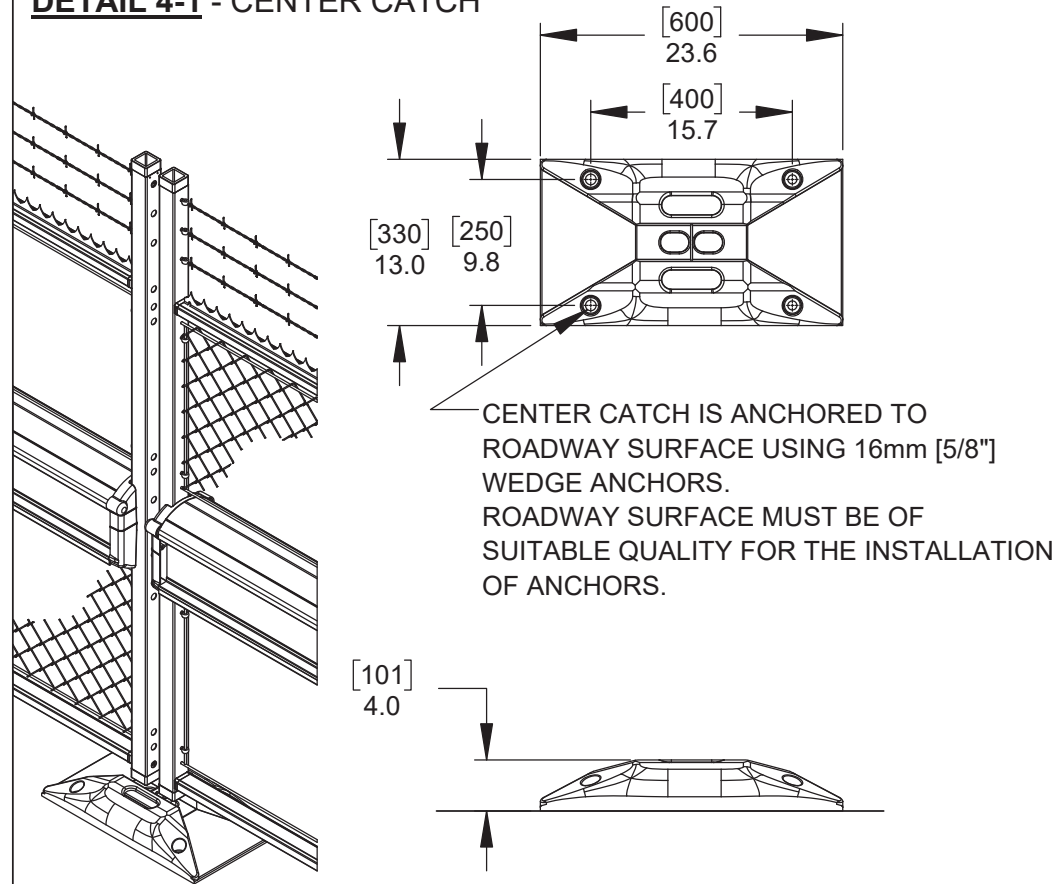
**FIGURE 3-3: ANCHORS / ANCHOR TEMPLATE**



115 Lowson Crescent  
Winnipeg, Manitoba, Canada, R3P 1A6  
Phone: 1-866-300-1110  
Fax: 1-204-284-1868  
Web: www.wallaceperimetersecurity.com

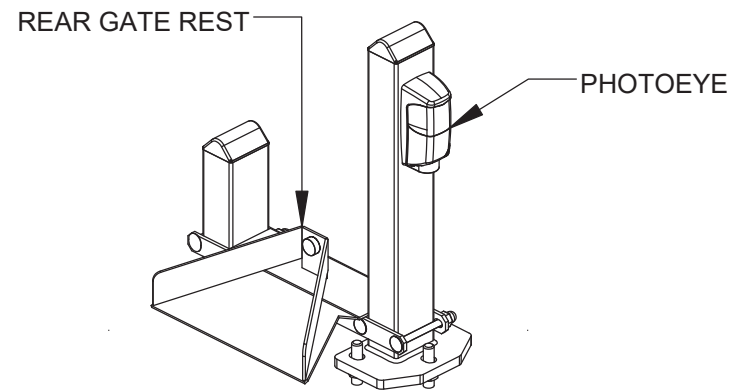
Description:		<b>DOUBLE ALPHA CANTILEVER SLIDE GATE FOUNDATION INSTALLATION NOTES</b>	
Customer:			
Finish:	SEE SHEET 1	Date:	9/9/2024
Drawing No.	<b>ALPHA-DBL-01-06-20</b>	Rev.	Sheet: 3 of 5

**DETAIL 4-1 - CENTER CATCH**

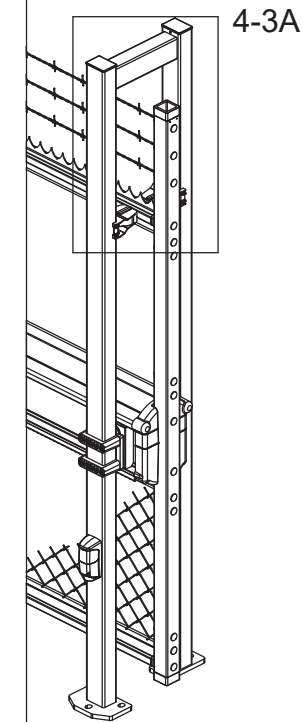


**DETAIL 4-2 - REAR GATE REST**

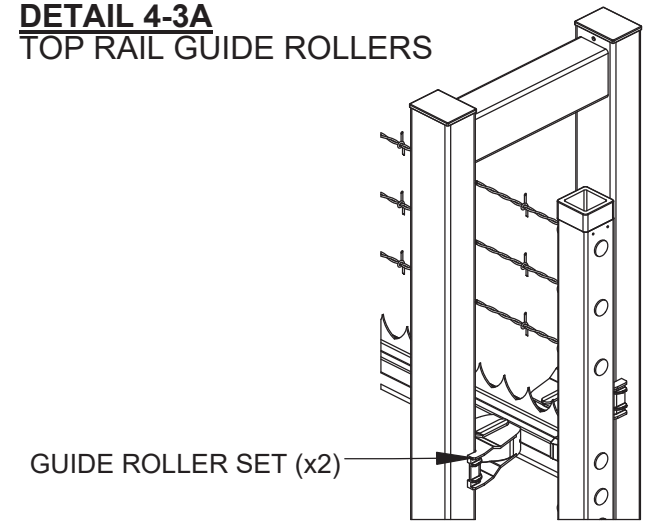
REAR GATE REST WILL SUPPORT THE GATE PANEL IF THE GATE IS TO BE LEFT OPEN FOR AN EXTENDED PERIOD OF TIME. OPEN PHOTOEYE IS ATTACHED TO THE REAR GATE REST.



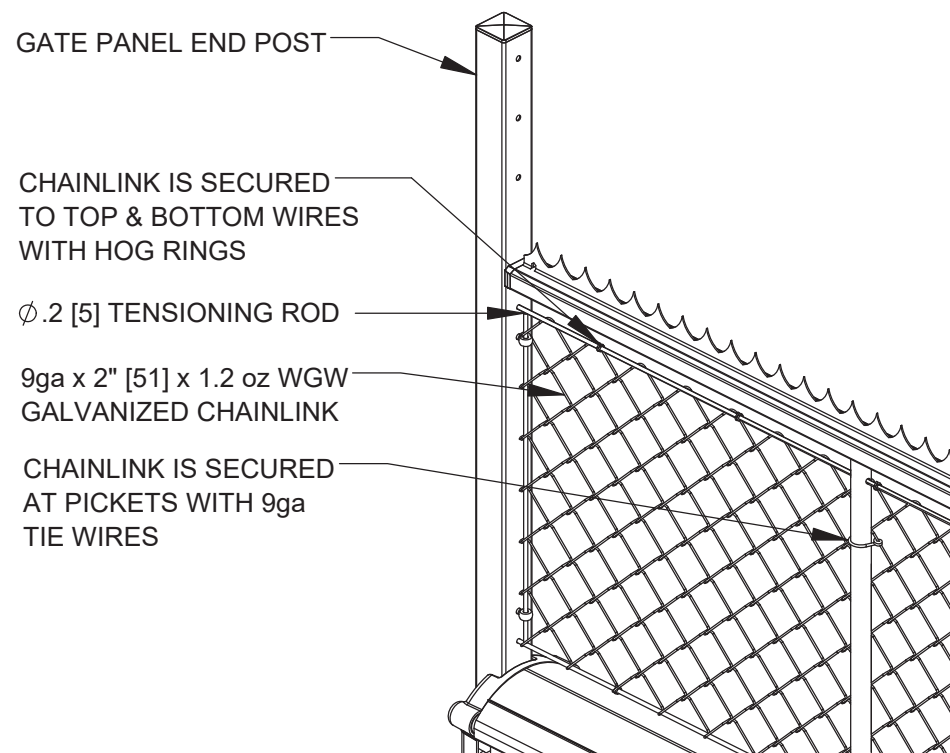
**DETAIL 4-3 - ROLLERS**



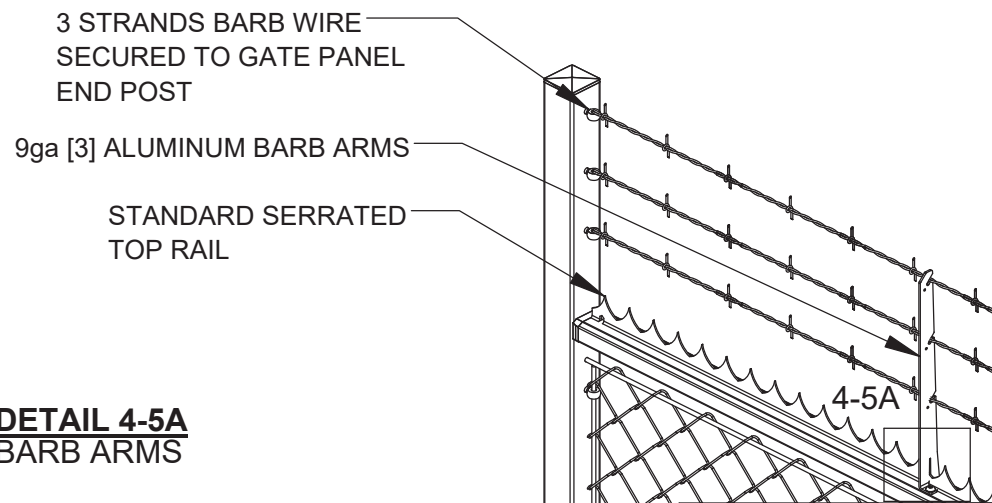
**DETAIL 4-3A TOP RAIL GUIDE ROLLERS**



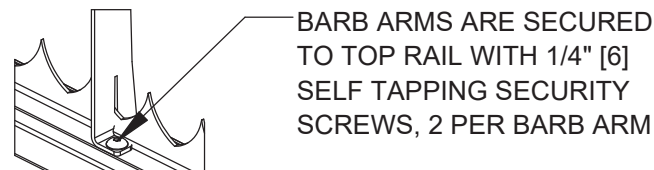
**DETAIL 4-4 - STANDARD GALVANIZED CHAINLINK INFILL**



**DETAIL 4-5 - BARB WIRE ANTI-CLIMB**

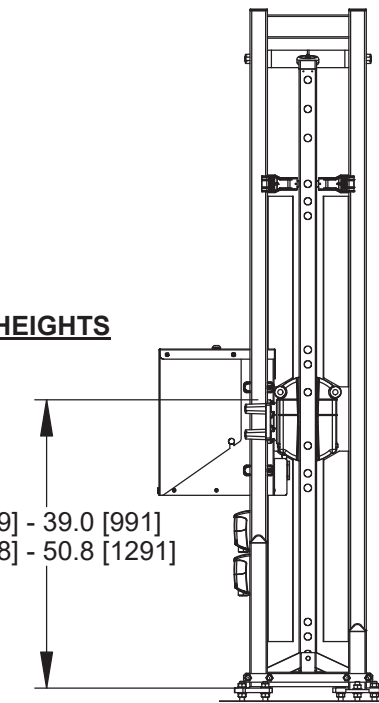


**DETAIL 4-5A BARB ARMS**

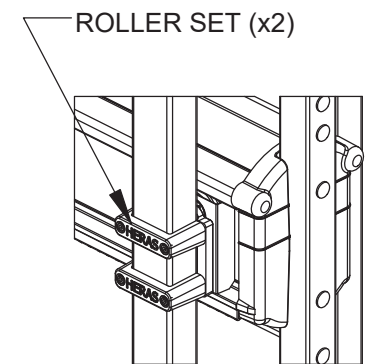


**BEAM ROLLER HEIGHTS**

6' [1829] - 39.0 [991]  
8' [2438] - 50.8 [1291]



**DETAIL 4-3B MAIN BEAM ROLLERS**



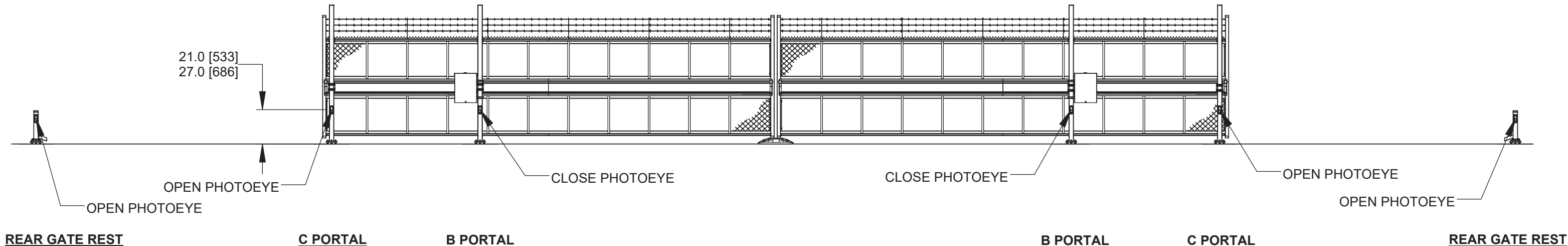
115 Lowson Crescent  
Winnipeg, Manitoba, Canada, R3P 1A6  
Phone: 1-866-300-1110  
Fax: 1-204-284-1868  
Web: www.wallaceperimetersecurity.com

Description:		<b>DOUBLE ALPHA CANTILEVER SLIDE GATE</b>	
Customer:			
Finish:	SEE SHEET 1	Date:	9/9/2024
Drawing No.	<b>ALPHA-DBL-01-06-20</b>	Rev.	Sheet: 4 of 5

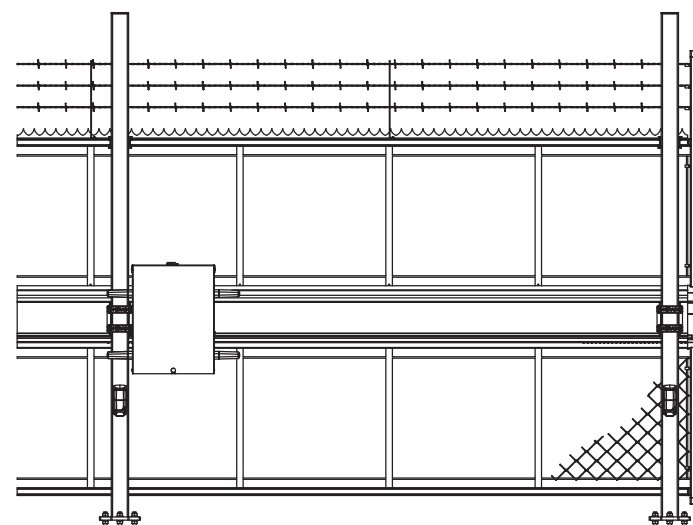
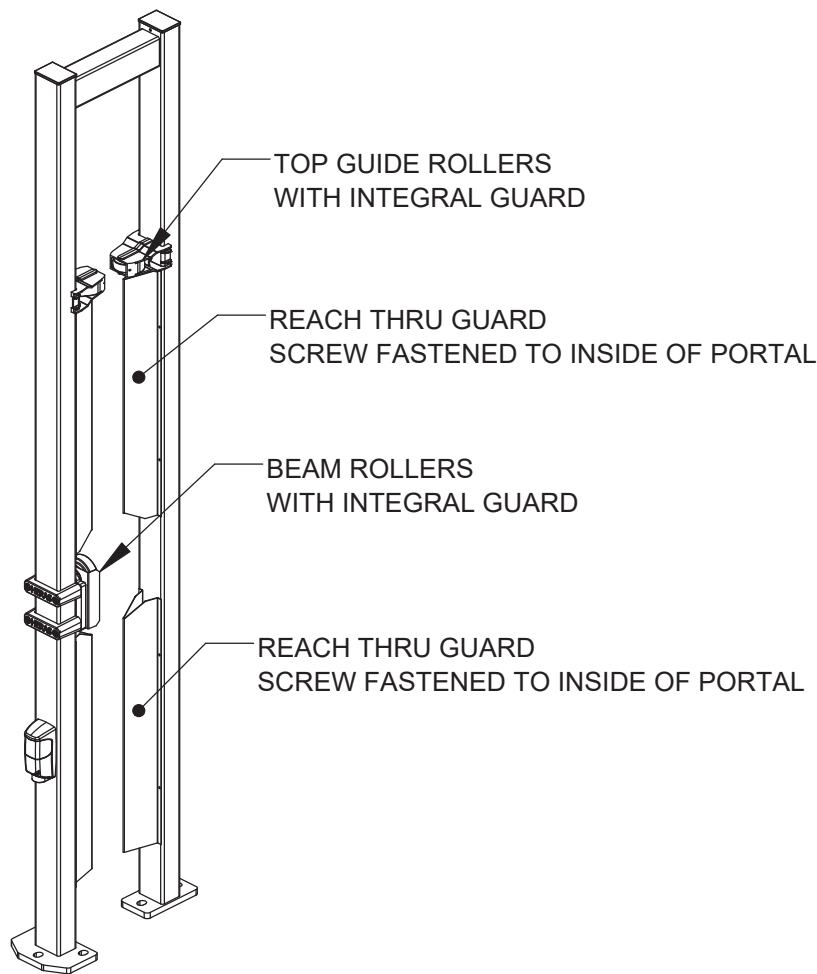
**DETAIL 5-1 - PHOTOEYES**

**NOTE:**

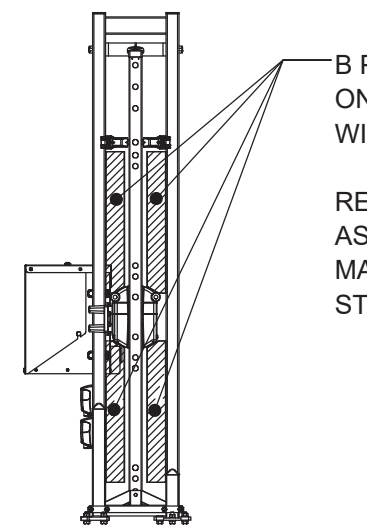
PHOTOEYE COVERAGE INCLUDES DRIVE THRU OPENING AS WELL AS THE AREA OF FULL GATE PANEL TRAVEL WHEN INSTALLED AS SHOWN.



**DETAIL 5-2 - GUARDS**



**B PORTAL**



B PORTAL HAS REACH THRU GUARDS INSTALLED ON THE INTERIOR FACES OF PORTAL, SECURED WITH #10 [5] SELF-TAPPING SCREWS.

REACH THRU GUARDS ARE REQUIRED PER ASTM F2200 - PARAGRAPH 6.1.4 WHICH STATES MAXIMUM GAP BETWEEN GATE PANEL AND FIXED STATIONARY OBJECTS SHALL NOT EXCEED 2.25" [57]

Description:		<b>DOUBLE ALPHA CANTILEVER SLIDE GATE SAFETY DEVICES / GUARDS</b>	
Customer:			
Finish:	SEE SHEET 1	Date:	9/9/2024
Drawing No.	<b>ALPHA-DBL-01-06-20</b>	Rev.	Sheet: 5 of 5



115 Lawson Crescent  
Winnipeg, Manitoba, Canada, R3P 1A6  
Phone: 1-866-300-1110  
Fax: 1-204-284-1868  
Web: www.wallaceperimetersecurity.com