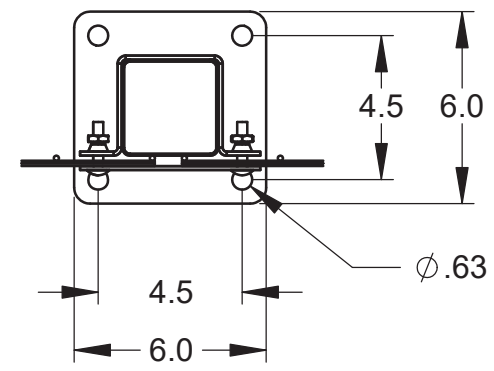
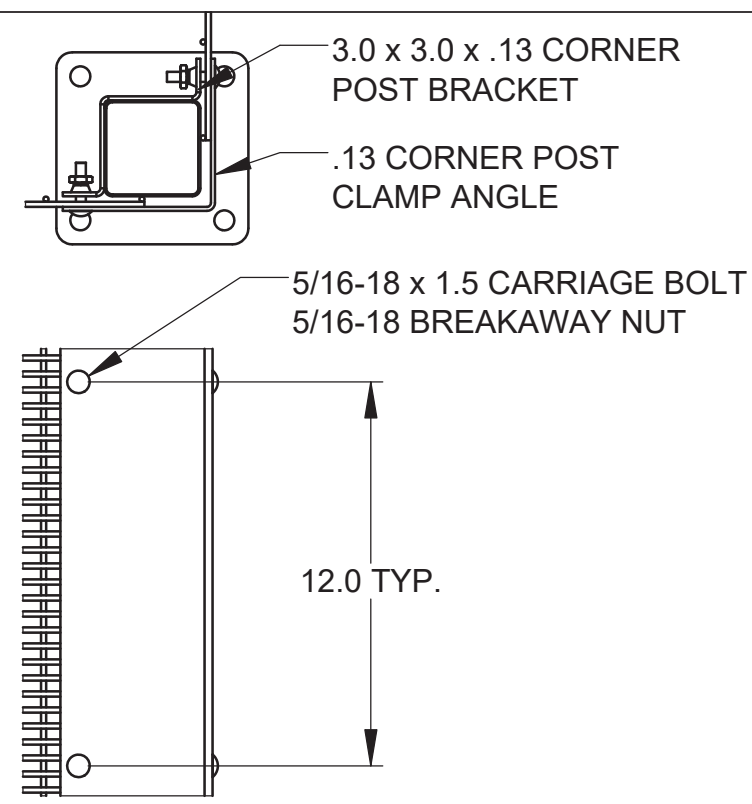


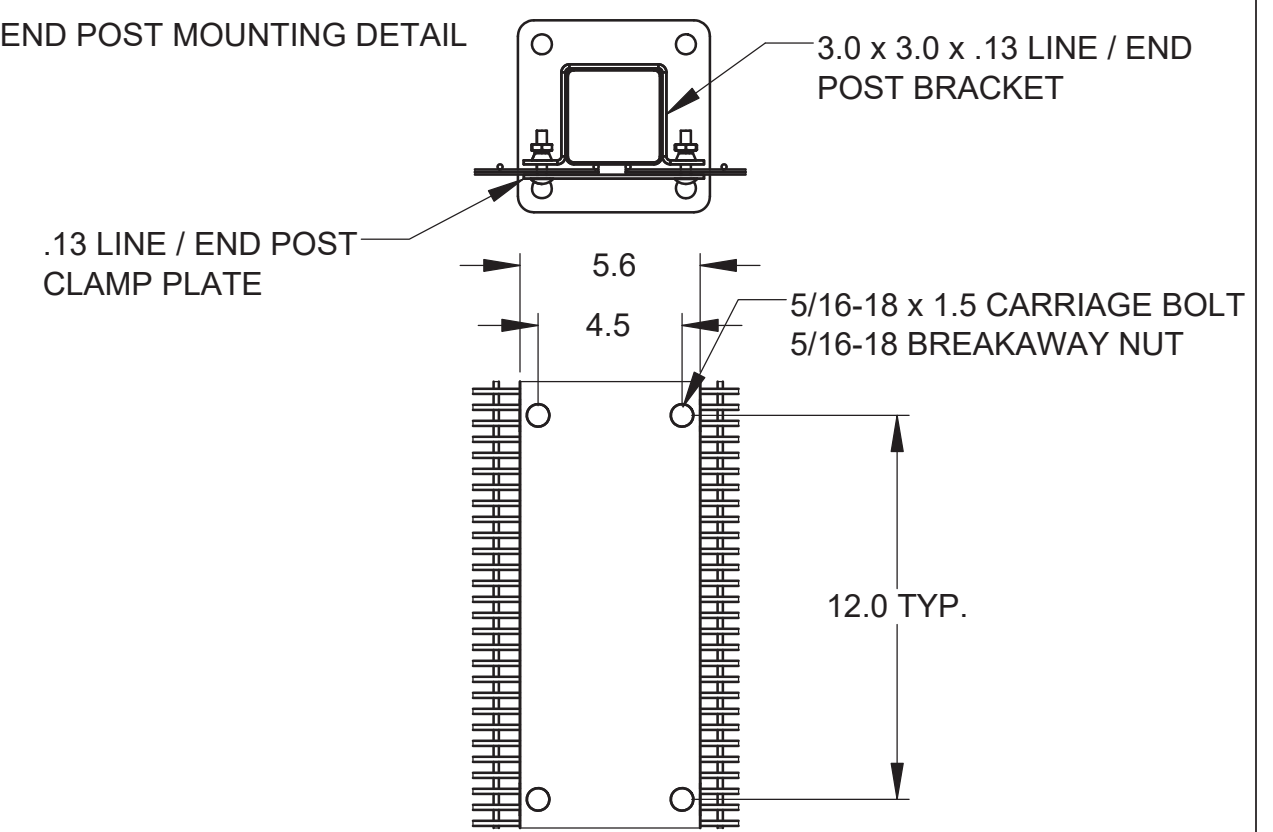
**DETAIL D - BASE PLATE DETAIL**



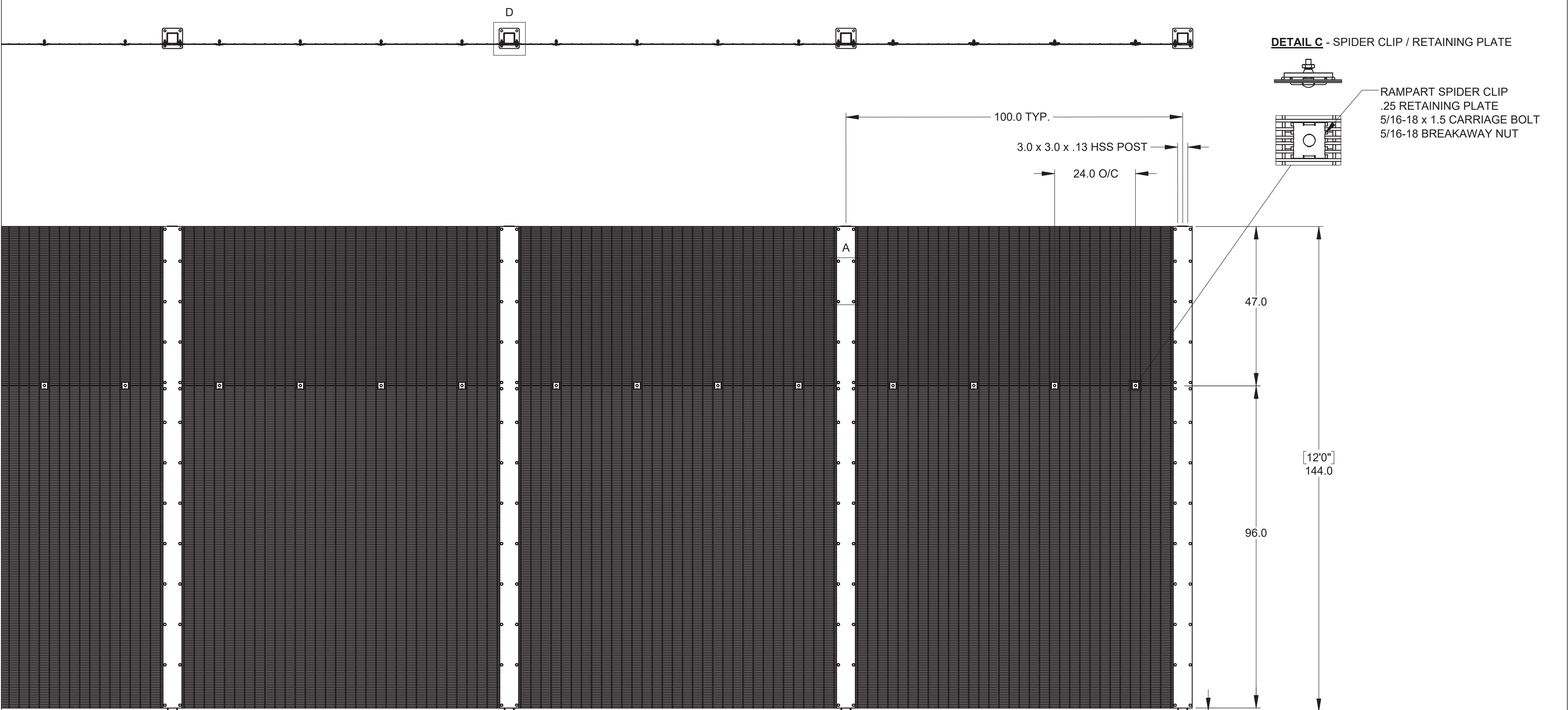
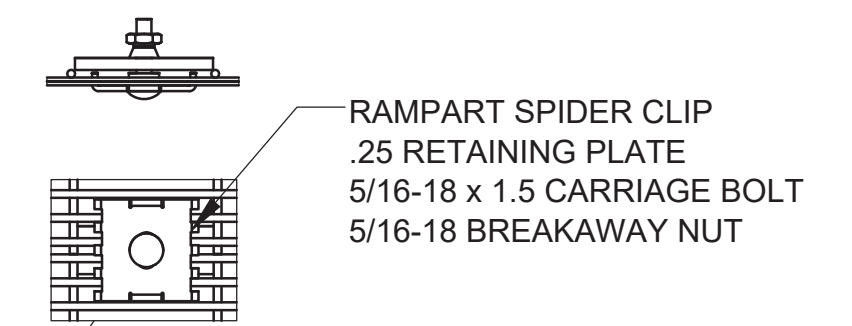
**DETAIL A - CORNER POST MOUNTING DETAIL**



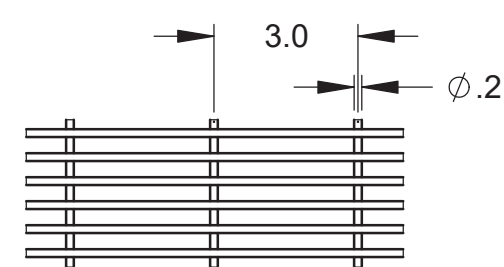
**DETAIL A - LINE / END POST MOUNTING DETAIL**



**DETAIL C - SPIDER CLIP / RETAINING PLATE**



**RAMPART 358**

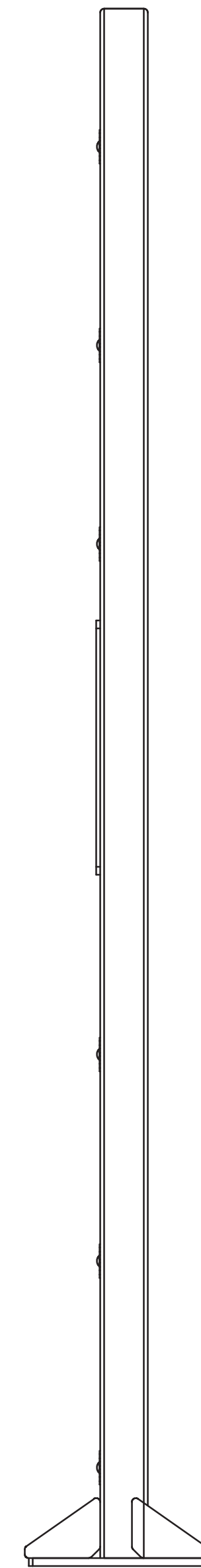
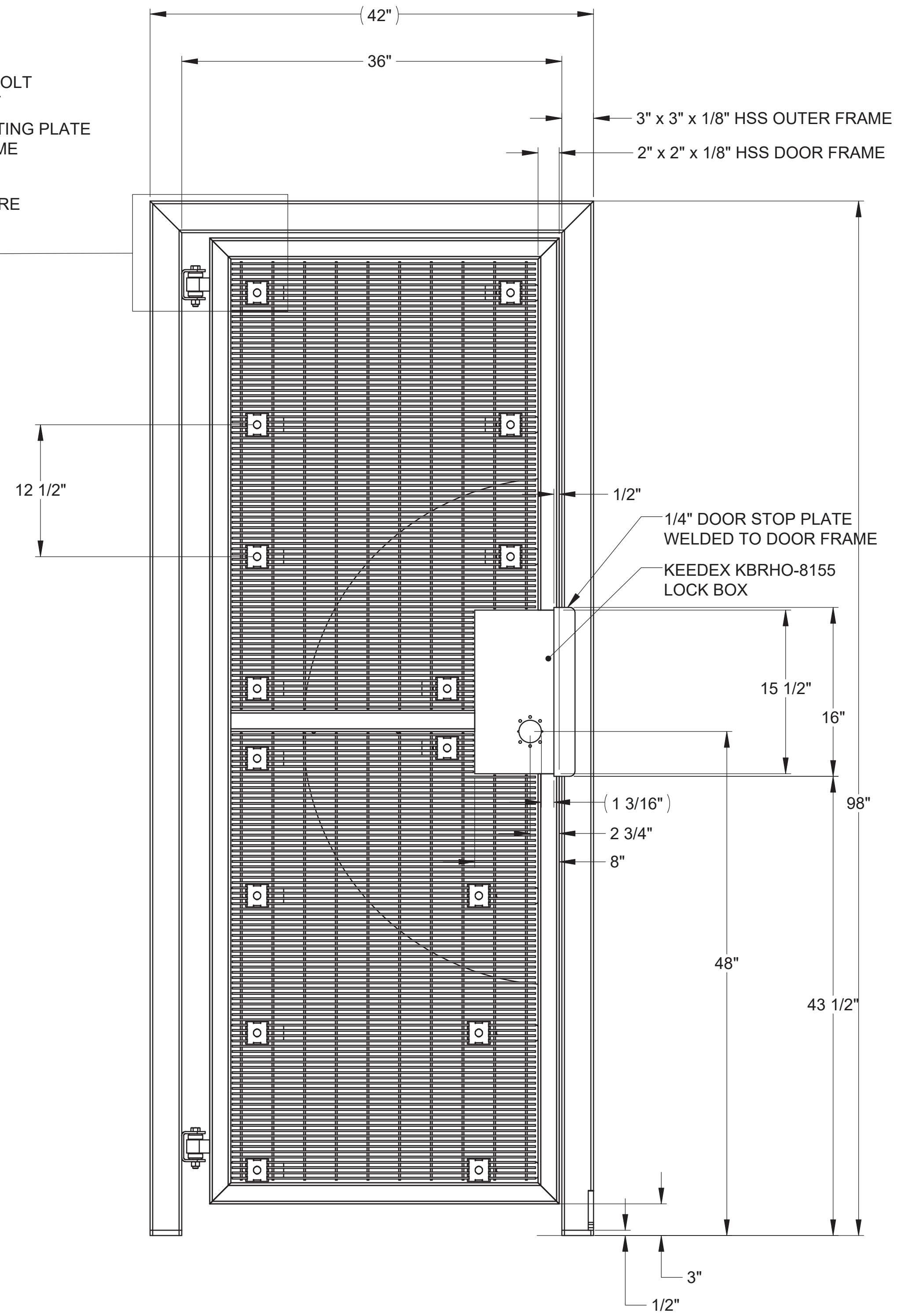
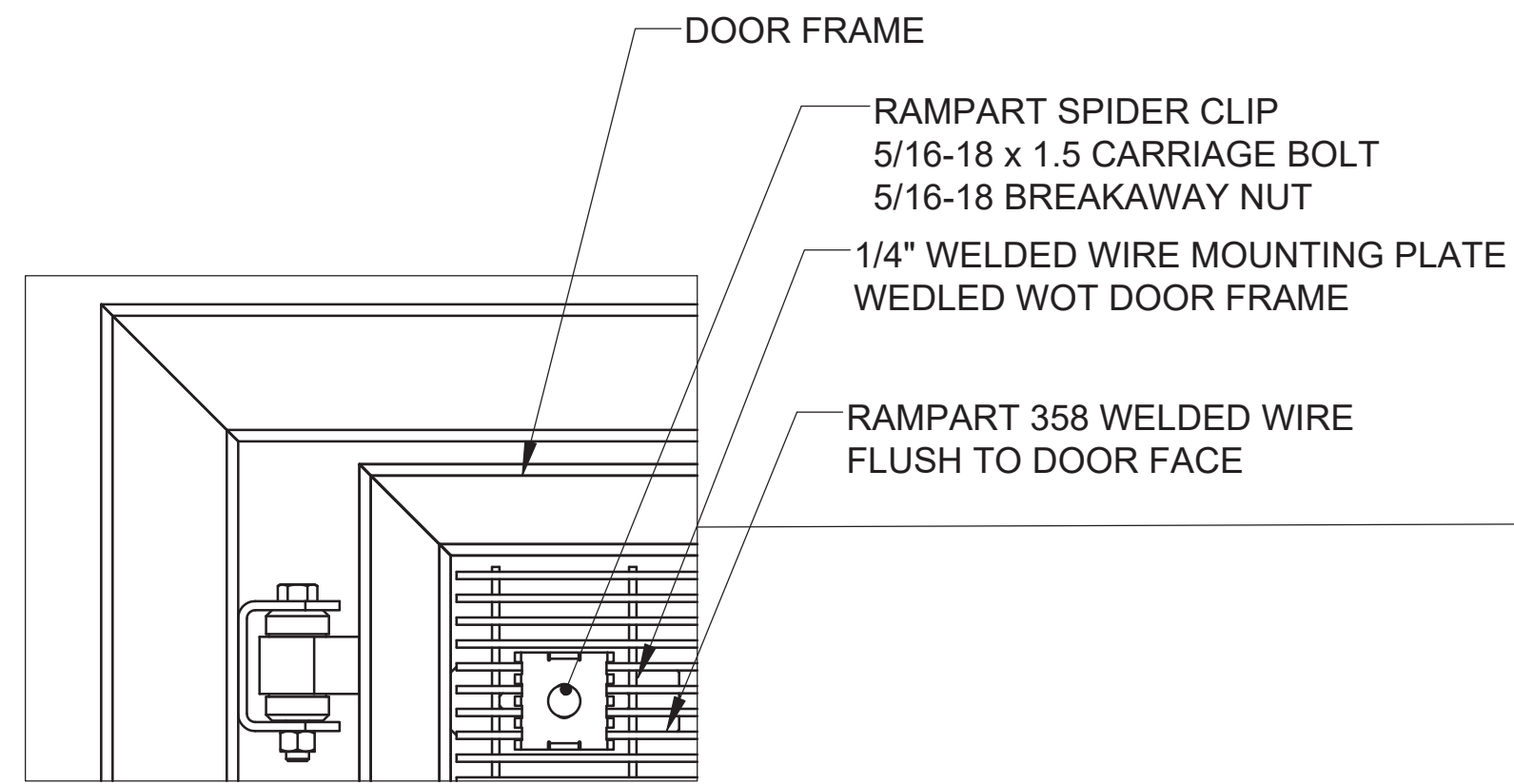
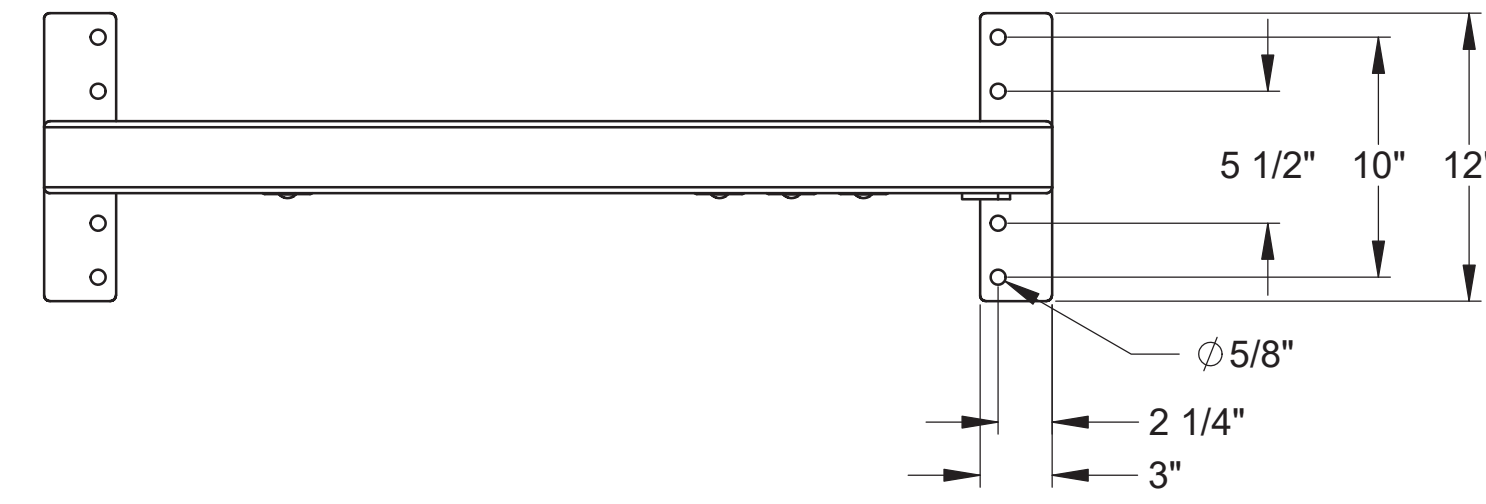


Description:  
**DEFENDER 358  
 WELDED WIRE FENCE DETAILS**  
 3.0 x 3.0 x .13 HSS POSTS  
 12' HT.

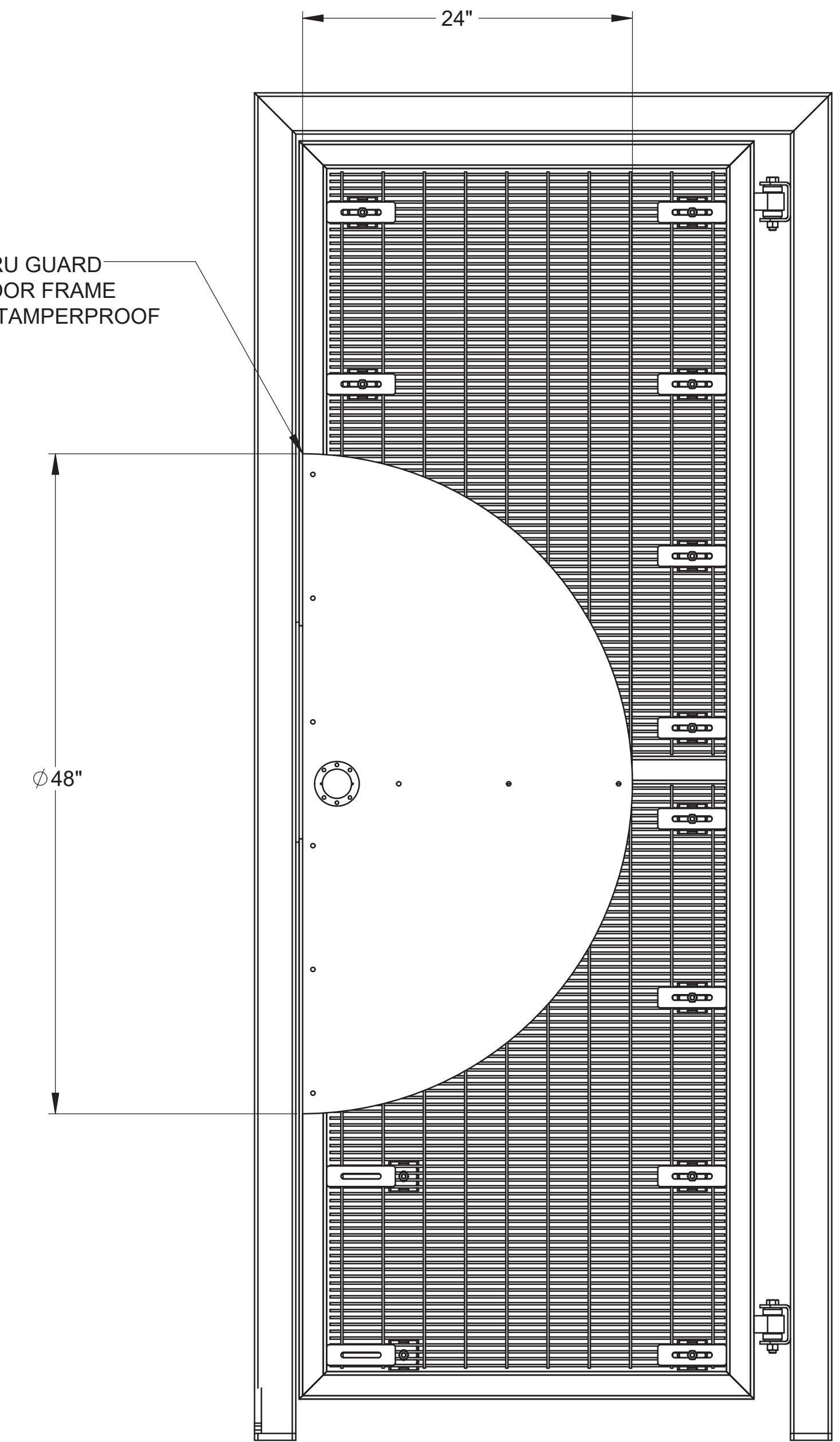
Customer / Project Name: CASPIAN		Date: 1/15/2022
Finish: POWDER COAT, BLACK		Rev.:
Drawing No. CASPIAN-11-25-21		Sheet 1 of 5

**WALLACE**  
 PERIMETER SECURITY

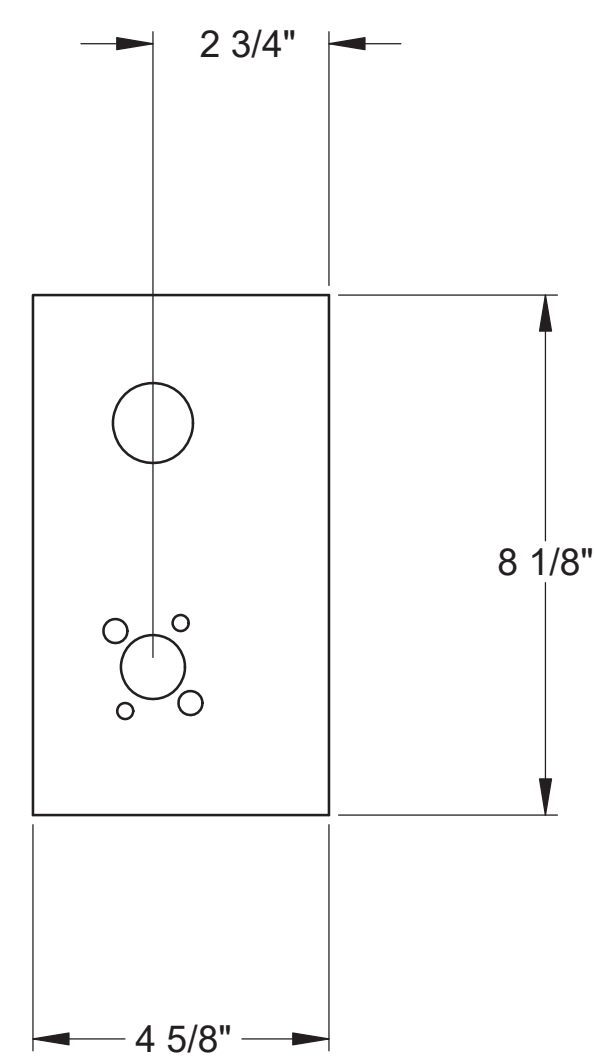
115 Lowson Crescent  
 Winnipeg, Manitoba, Canada, R3P 1A6  
 Phone: 1-866-300-1110  
 Fax: 1-204-284-1868  
 Web: www.wallaceperimetersecurity.com



16ga REACH THRU GUARD  
 SECURED TO DOOR FRAME  
 WITH 1/4-20 T27 TAMPERPROOF  
 SCREWS



**KEEDEX K-BXMOR1 LOCK BOX DETAIL**



**NOTE:**  
 LH OUTSWING GATE SHOWN, RH OUTSWING GATE OPPOSITE

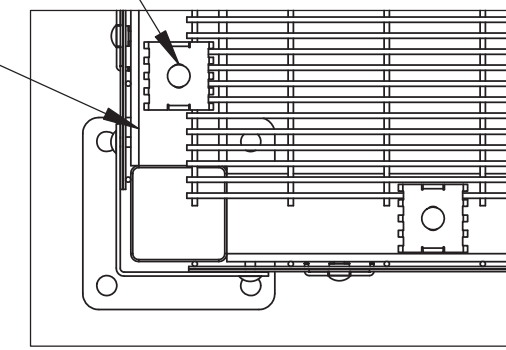
Description: <b>DEFENDER 8'-2" x 3' PEDESTRIAN GATE</b>	
Customer / Project: CASPIAN	Date: 1/17/2022
Finish: POWDER COAT, BLACK	Sheet: 2 of 5
Drawing No. CASPIAN-11-25-21	Rev. B


 115 Lowson Crescent  
 Winnipeg, Manitoba, Canada, R3P 1A6  
 Fax: 1-204-294-1668  
 Web: www.wallaceperimetersecurity.com

**DETAIL B - RAMPART ROOF MOUNTING DETAIL**

RAMPART 358 IS THRU BOLTED TO 3.0 x 3.0 x .13 HSS ROOF MEMBER USING RAMPART SPIDER CLIP 5/16-18 x 4.5 CARRIAGE BOLT 5/16-18 BREAKAWAY NUT

3.0 x 3.0 x .13 HSS ROOF MEMBER



[13'10 1/4"]  
166 1/4"

83 1/8"

82" TYP.

[20'6"]  
246"

5 1/2"

42"

42"

5 1/2"

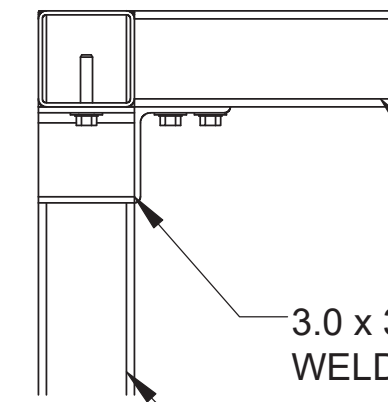
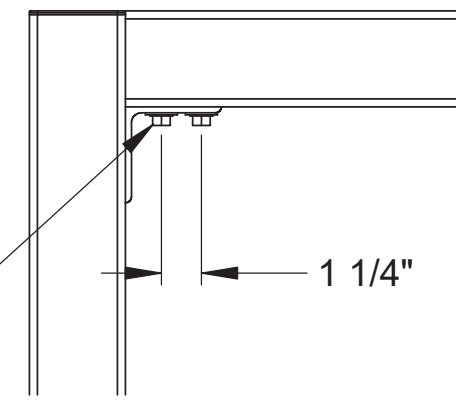
[11'6"]  
138"

[20'6"]  
246"

**DETAIL A - RAMPART MEMBER MOUNTING DETAIL**

3/8 x 1.5 SELF-TAPPING SCREW

1 1/4"

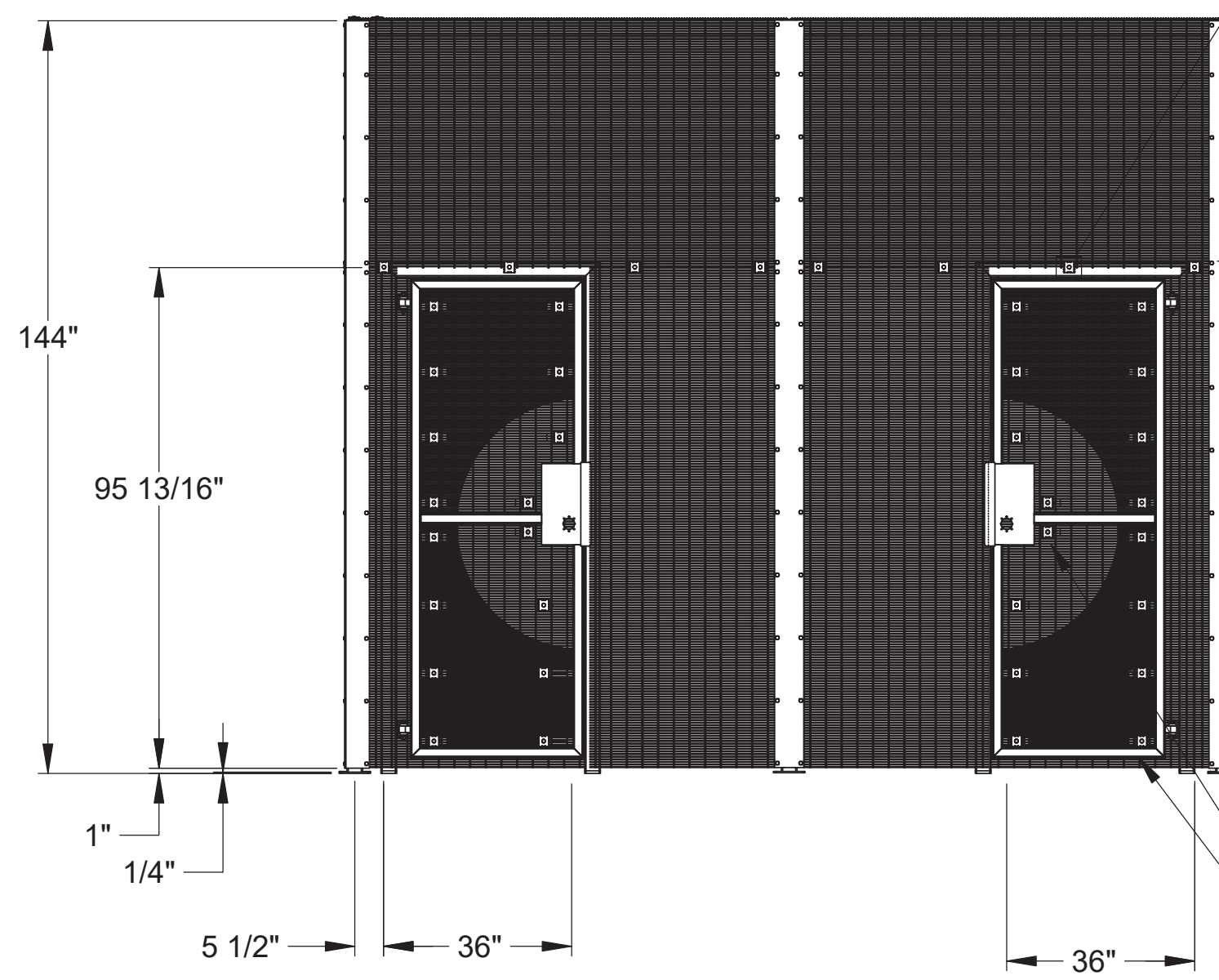


3.0 x 3.0 x .13 HSS ROOF MEMBER

3.0 x 3.0 x .19 STRUCTURAL ANGLE WELDED TO POST

3.0 x 3.0 x .13 HSS POST

**SECTION B-B**

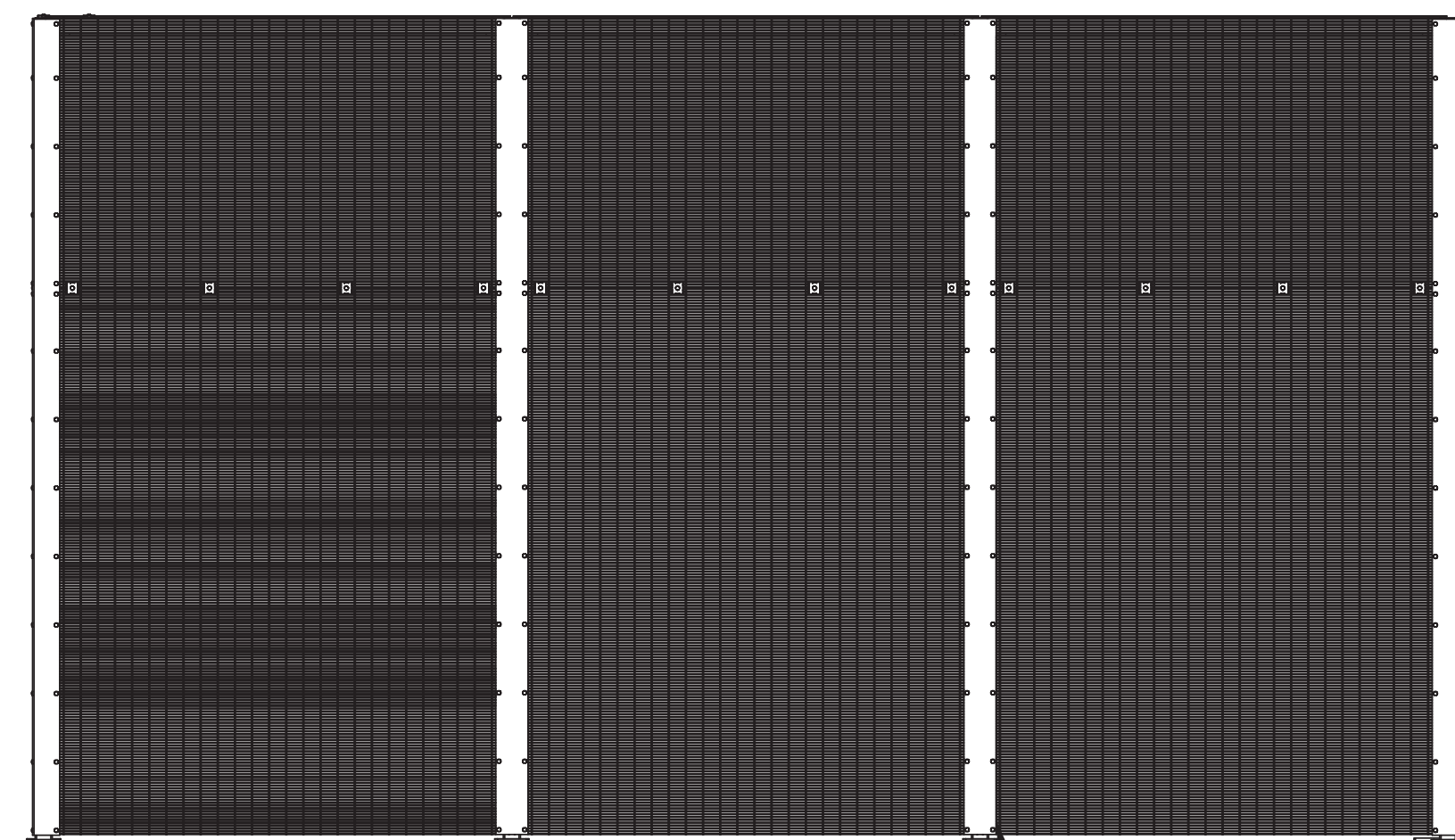
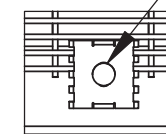


PEDESTRIAN GATE  
98"

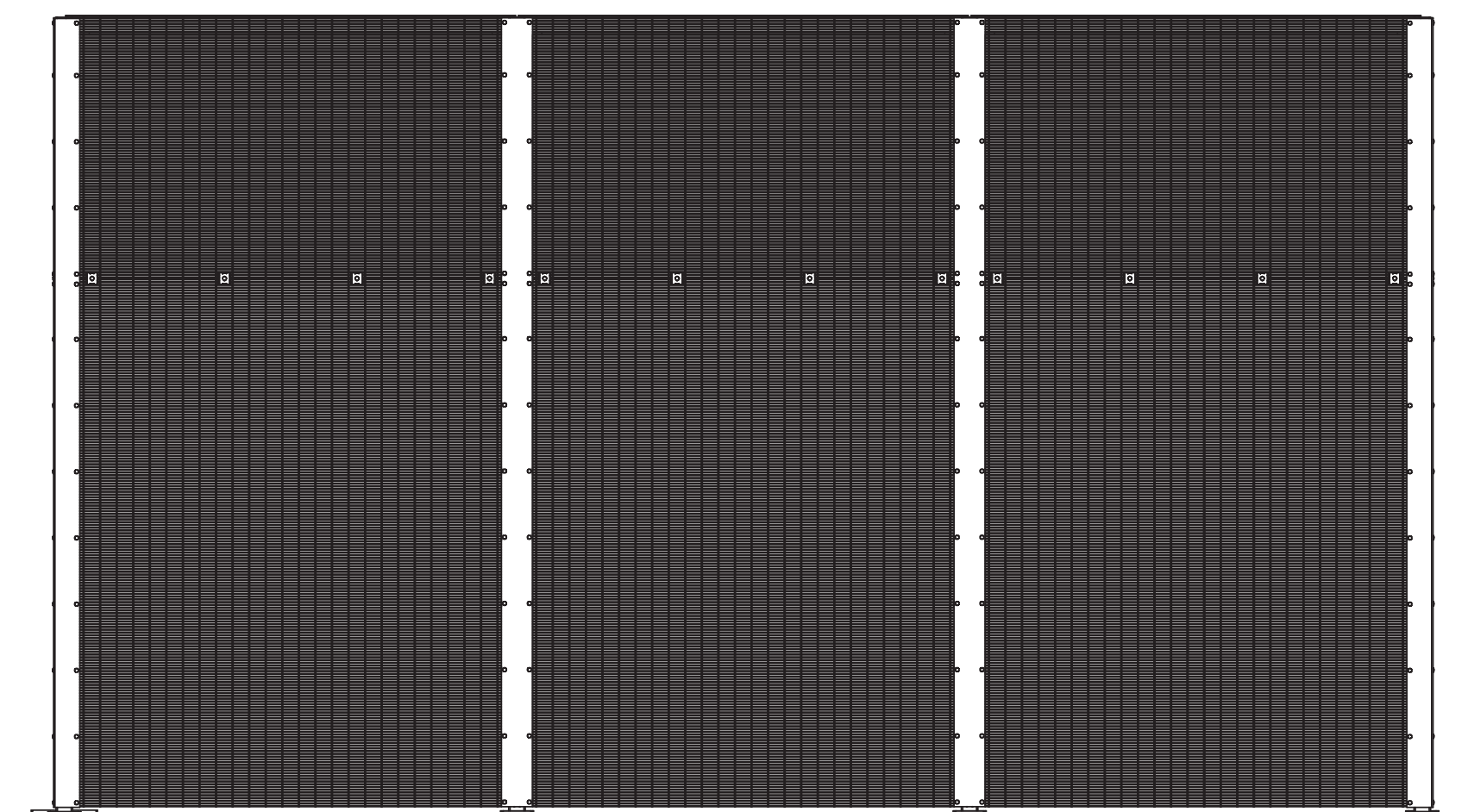
KEEDEK LOCK BOX KBRO-8155 TYPICAL  
REFER TO PAGE 2 FOR DEFENDER PEDESTRIAN GATE DETAILS

36" 5 1/2"

RAMPART 358 IS THRU BOLTED TO PEDESTRIAN GATE OUTER FRAME USING RAMPART SPIDER CLIP 5/16-18 x 3.0 CARRIAGE BOLT 5/16-18 BREAKAWAY NUT



REFER TO PAGE 1 FOR DEFENDER 12'6" DETAILS

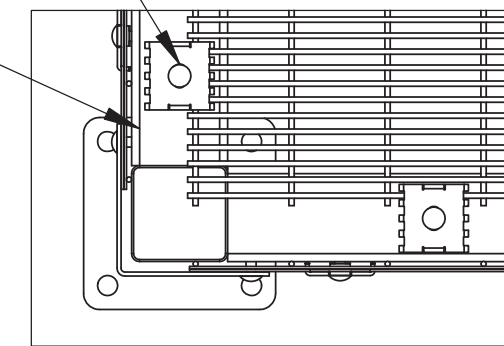




**DETAIL A - RAMPART ROOF MOUNTING DETAIL**

RAMPART 358 IS THRU BOLTED TO 3.0 x 3.0 x .13 HSS ROOF MEMBER USING RAMPART SPIDER CLIP 5/16-18 x 4.5 CARRIAGE BOLT 5/16-18 BREAKAWAY NUT

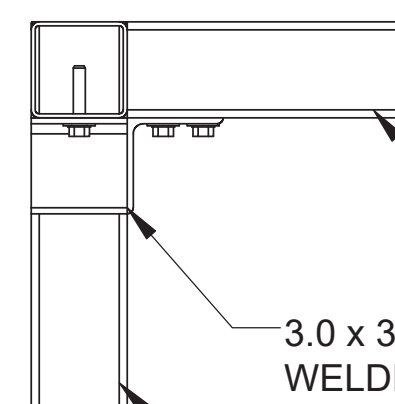
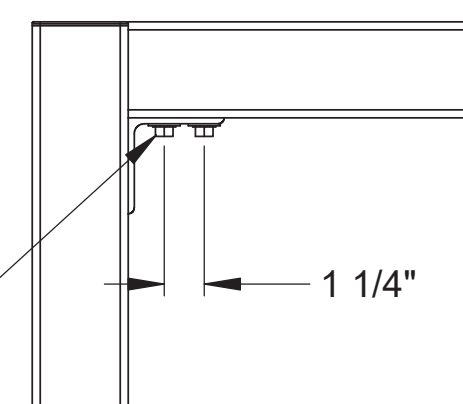
3.0 x 3.0 x .13 HSS ROOF MEMBER



**DETAIL B - RAMPART MEMBER MOUNTING DETAIL**

3/8 x 1.5 SELF-TAPPING SCREW

1 1/4"



3.0 x 3.0 x .13 HSS ROOF MEMBER

3.0 x 3.0 x .19 STRUCTURAL ANGLE WELDED TO POST

3.0 x 3.0 x .13 HSS POST

**DETAIL D - 2.0 x 2.0 x .13 INTERMEDIATE ROOF MEMEBR DETAIL**

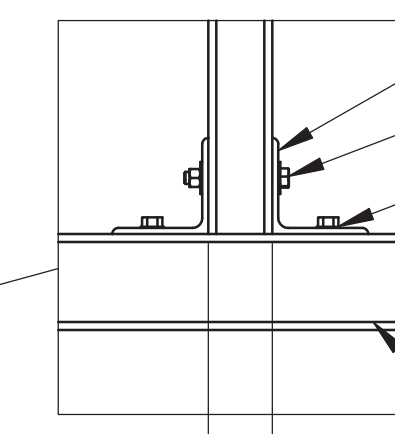
3.0 x 3.0 x .19 MOUNTING ANGLE

3/8-16 x 3.0 HEX BOLT, WASHER & NUT

3/8 x 1.5 SELF-TAPPING SCREW

3.0 x 3.0 x .19" HSS ROOF MEMBER

2.0 x 2.0 x .13 INTERMEDIATE ROOF MEMBER CENTERED BETWEEN 3.0 x 3.0 x .13 HSS ROOF MEMBER



**DETAIL C - 4.0 x 4.0 x .25 WALL ANGLE DETAIL**

REFERENCE OF 3.0 x 3.0 x .13 HSS ROOF MEMBER

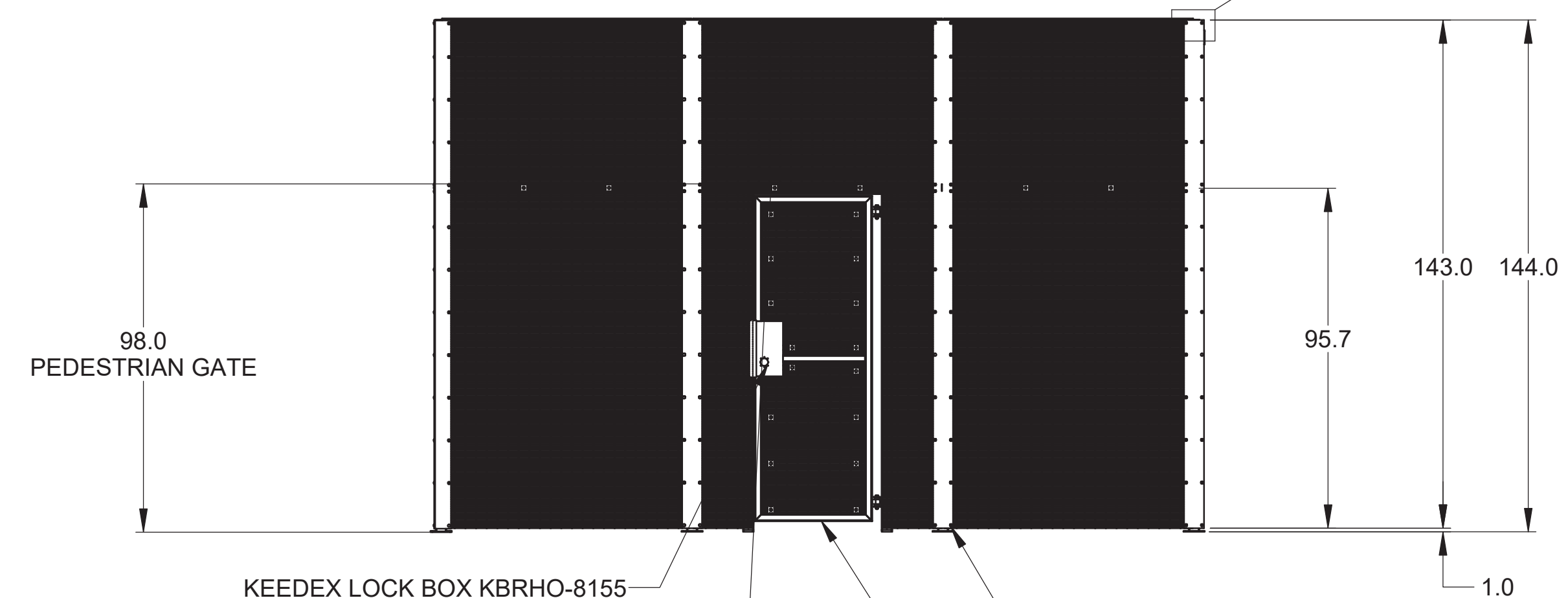
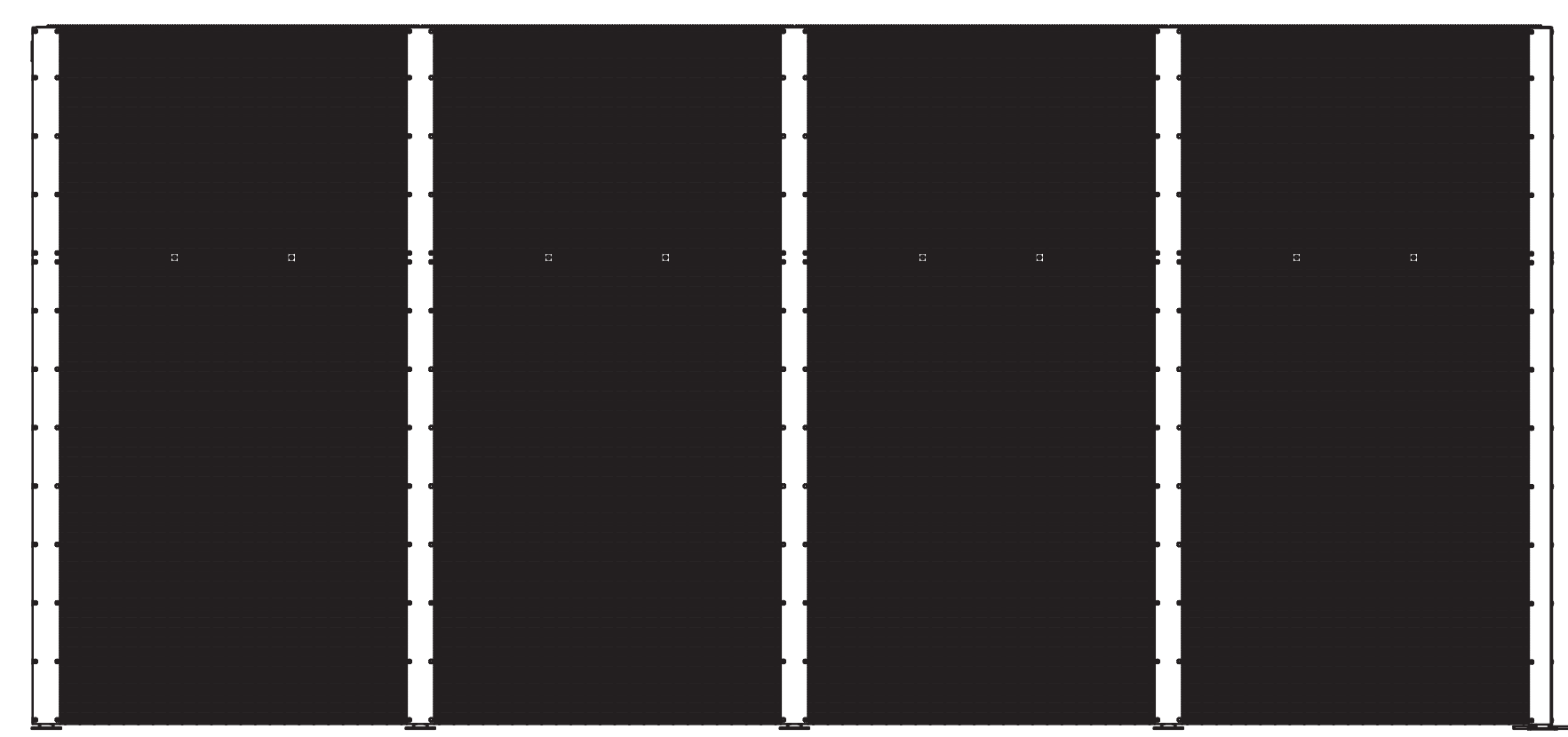
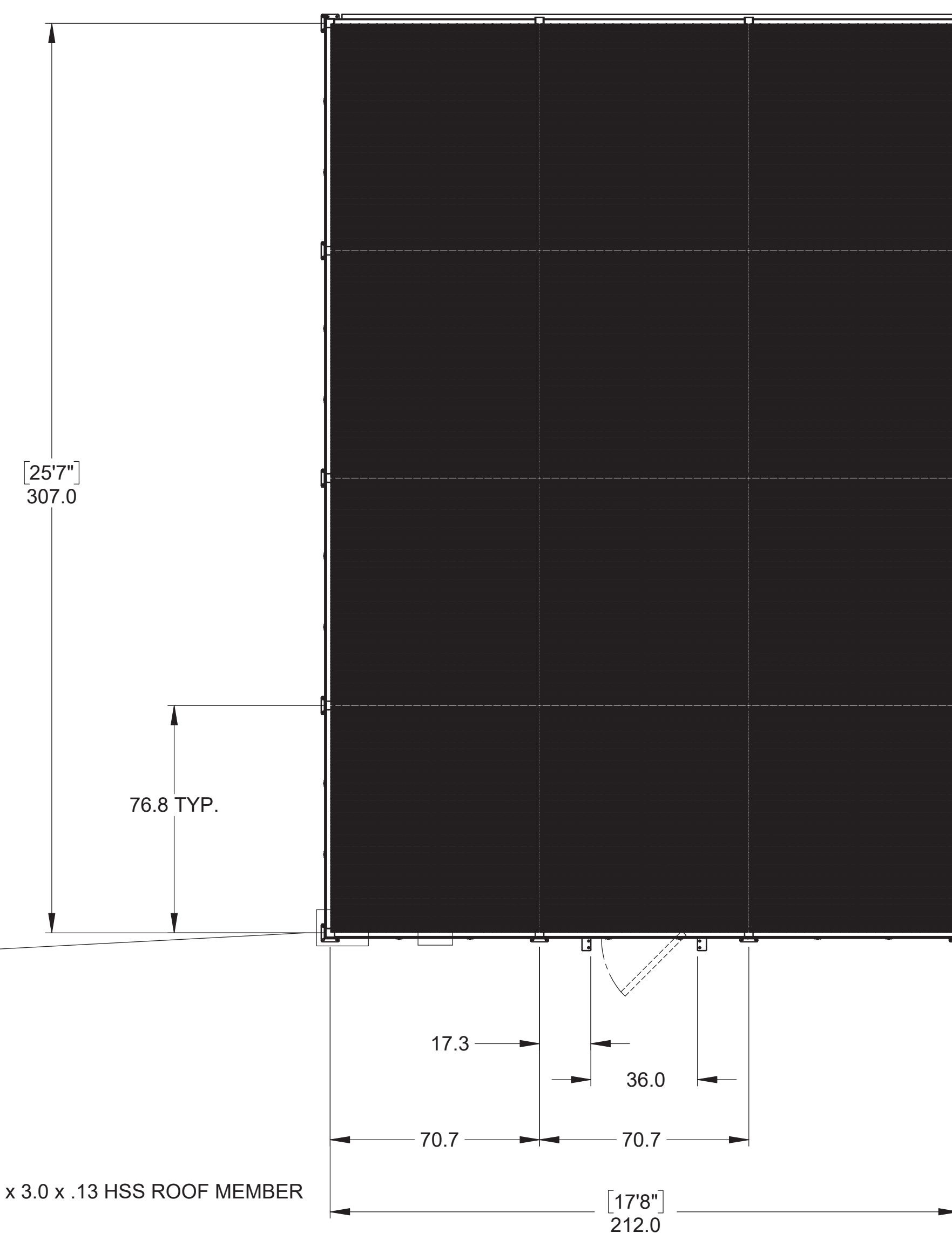
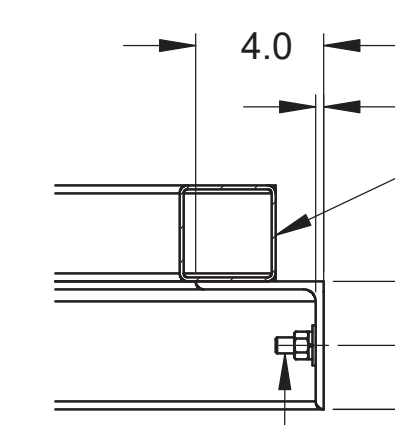
4.0

.2

4.0

2.0

1/2-13 EPOXY ANCHOR INTO ADJACENT WALL @ 36.0 O/C

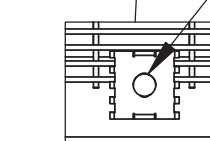


KEEDEK LOCK BOX KBRHO-8155

REFER TO PAGE 1 FOR DEFENDER 12' DETAILS

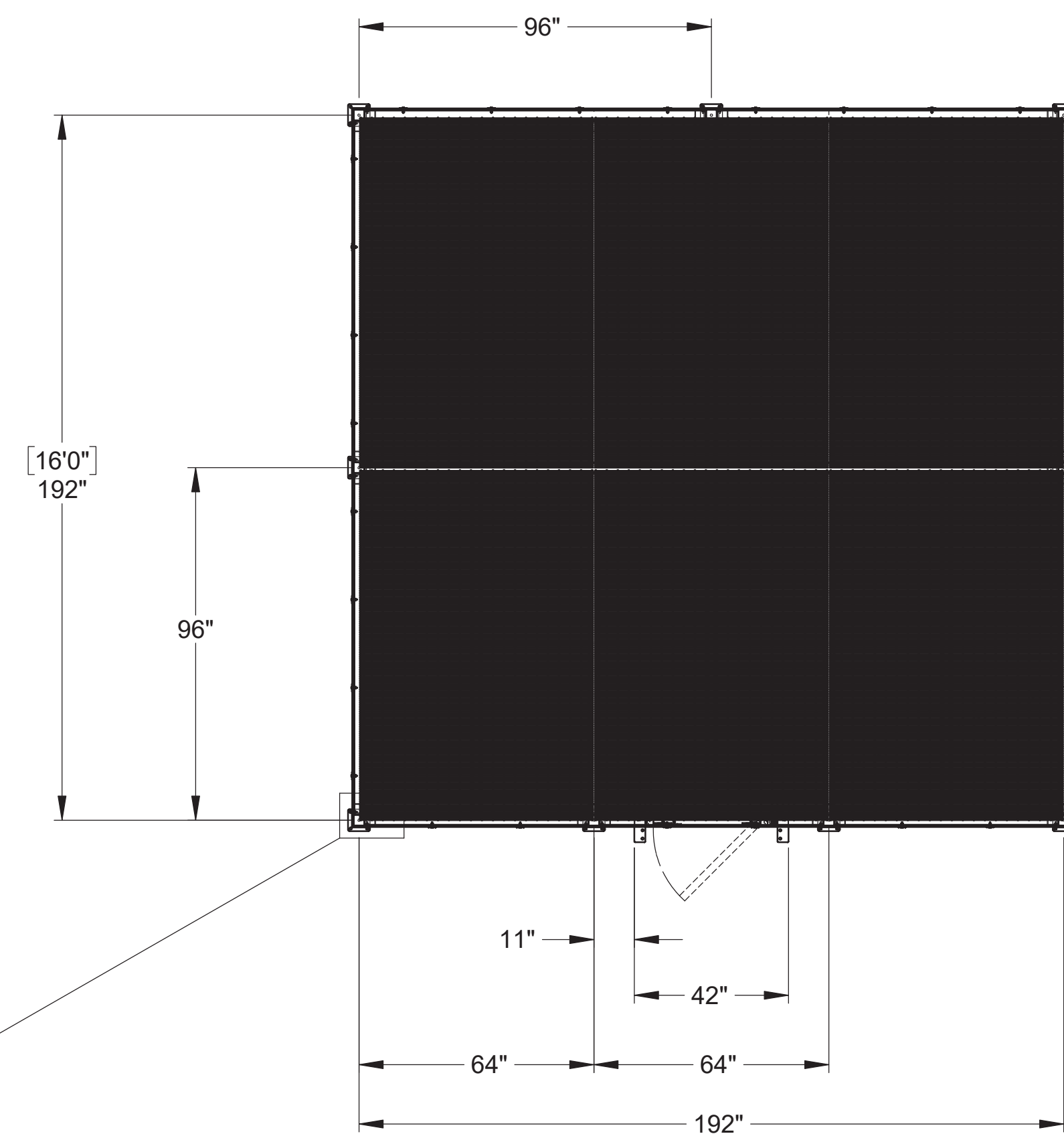
REFER TO PAGE 2 FOR DEFENDER PEDESTRIAN GATE DETAILS

RAMPART 358 IS THRU BOLTED TO PEDESTRIAN GATE OUTER FRAME USING RAMPART SPIDER CLIP 5/16-18 x 3.0 CARRIAGE BOLT 5/16-18 BREAKAWAY NUT

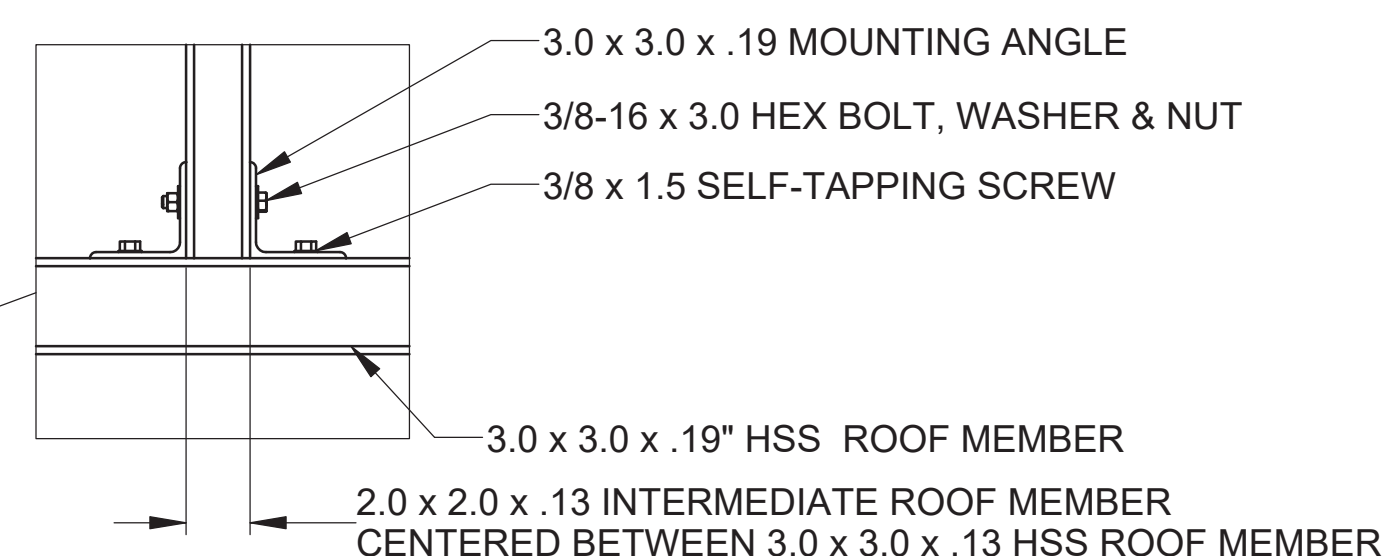


**WALLACE PERIMETER SECURITY**  
 115 Lowson Crescent  
 Winnipeg, Manitoba, Canada, R3P 1A6  
 Fax: 1-204-281-1868  
 Web: www.wallaceperimetersecurity.com

Description:		<b>DEFENDER 12'-6" ENCLOSURE LAYOUT 17'-8" x 25'-7"</b>	
Customer / Project:	CASPIAN	Finish:	POWDER COAT, BLACK
Date:	1/17/2022	Rev:	B
Drawing No:	CASPIAN-11-25-21	Sheet:	4 of 5

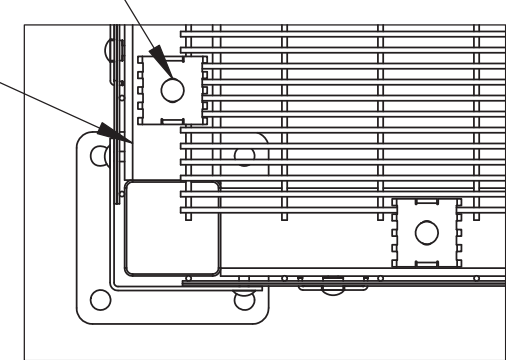


**DETAIL C - 2.0 x 2.0 x .13 INTERMEDIATE ROOF MEMEBR DETAIL**

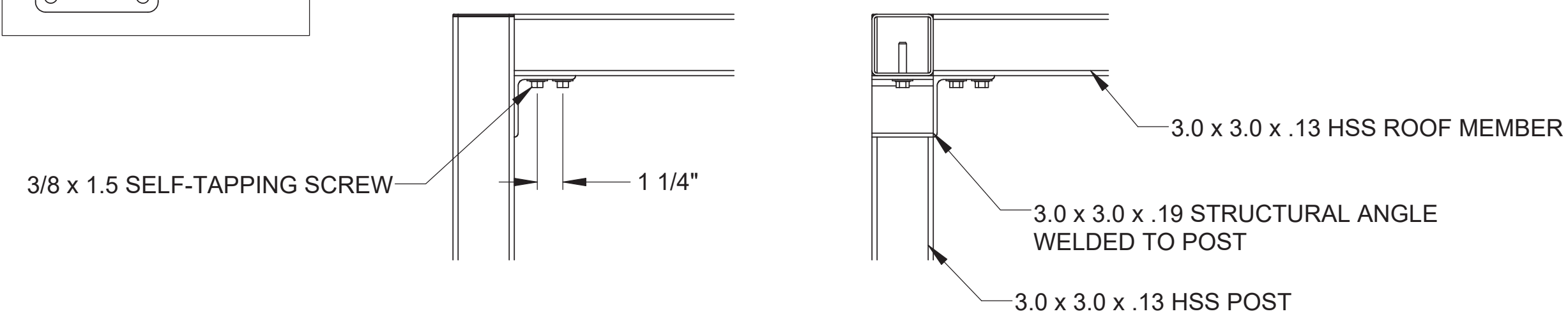


**DETAIL B - RAMPART ROOF MOUNTING DETAIL**

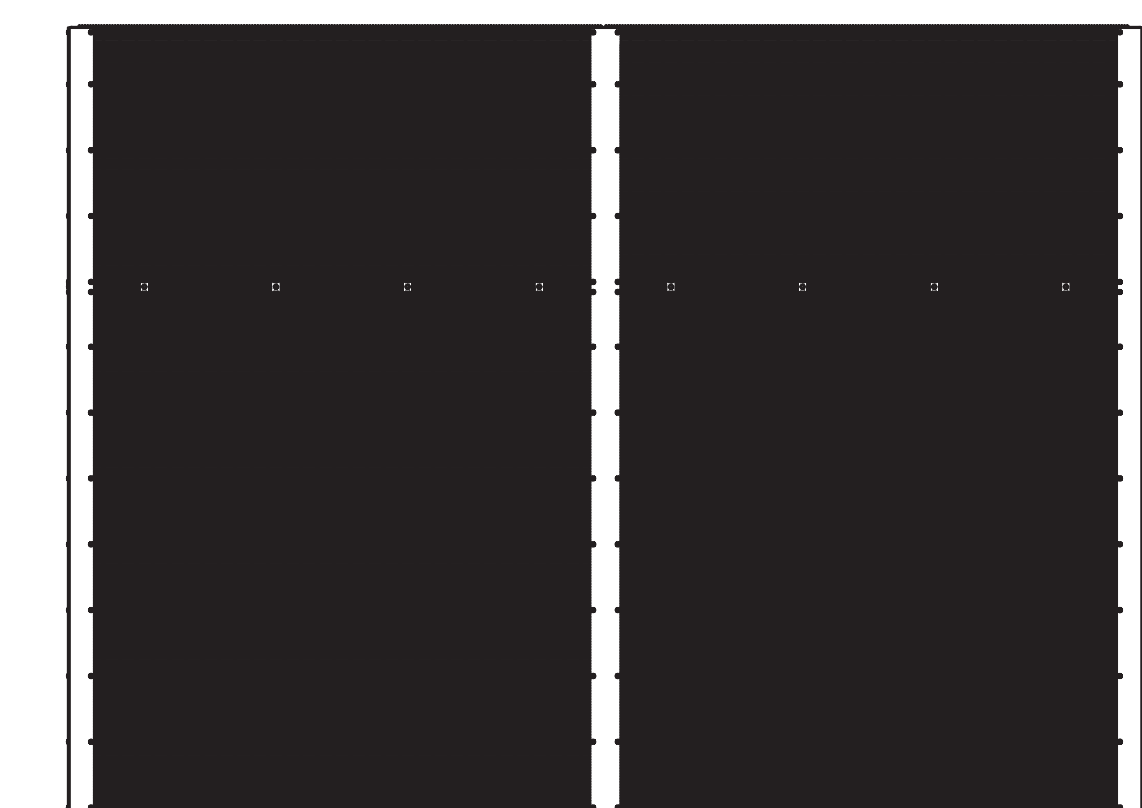
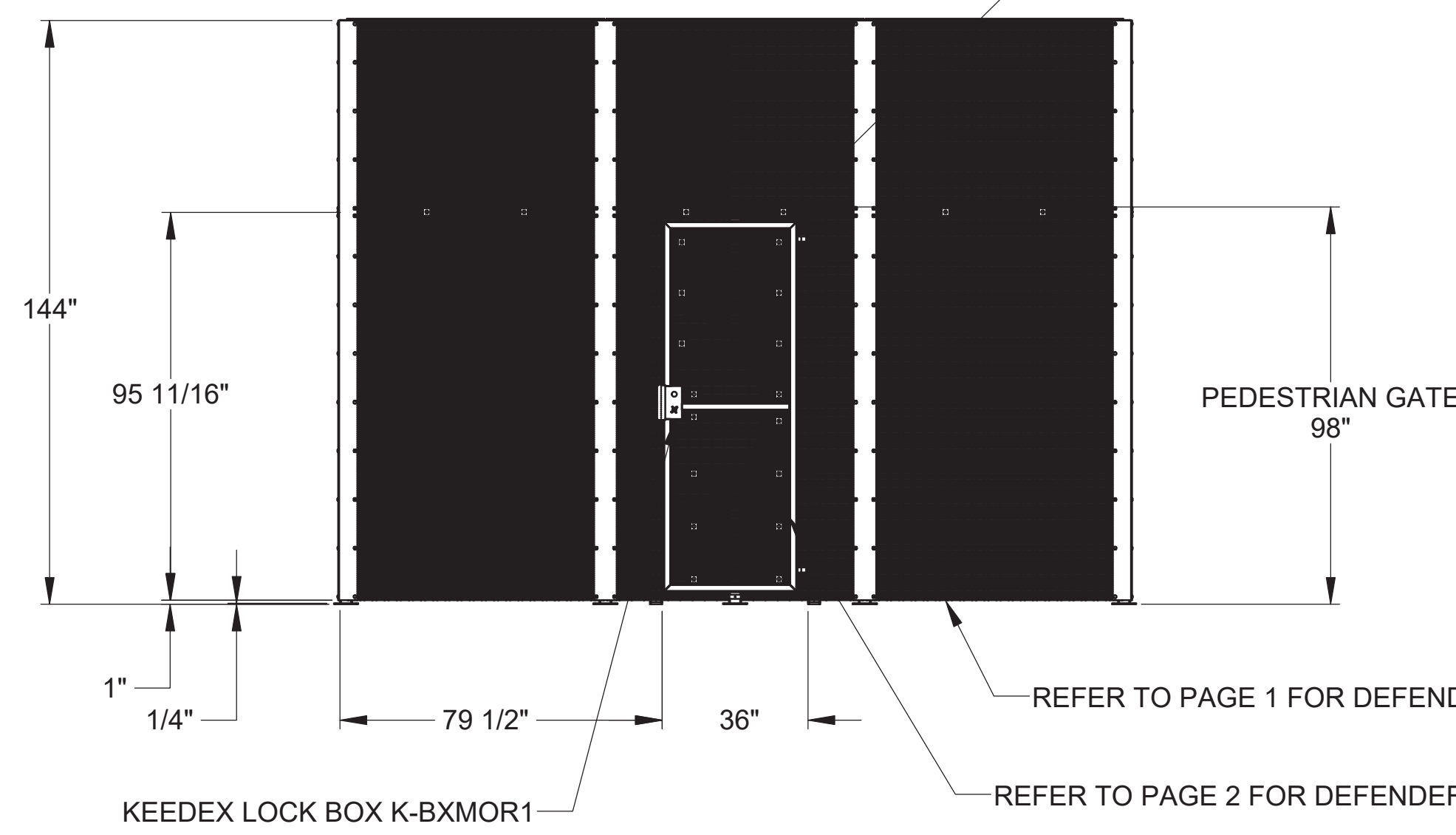
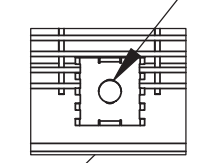
RAMPART 358 IS THRU BOLTED TO 3.0 x 3.0 x .13 HSS ROOF MEMBER USING RAMPART SPIDER CLIP 5/16-18 x 4.5 CARRIAGE BOLT 5/16-18 BREAKAWAY NUT



**DETAIL A - RAMPART MEMBER MOUNTING DETAIL**



RAMPART 358 IS THRU BOLTED TO PEDESTRIAN GATE OUTER FRAME USING RAMPART SPIDER CLIP 5/16-18 x 3.0 CARRIAGE BOLT 5/16-18 BREAKAWAY NUT



Description:		<b>DEFENDER 12' ENCLOSURE LAYOUT 16' x 16'</b>	
Customer / Project:	CASPIAN	Date:	1/17/2022
Finish:	POWDER COAT, BLACK	Rev:	B
Drawing No.:	CASPIAN-11-25-21	Sheet:	5 of 5