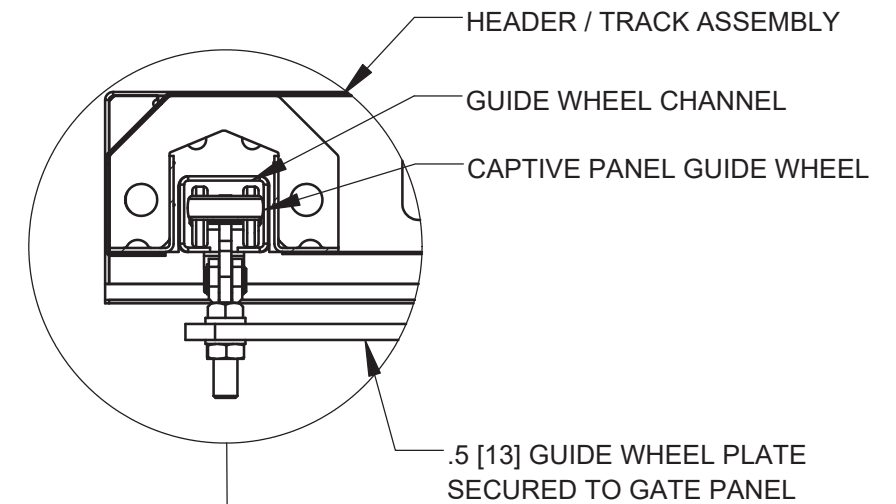
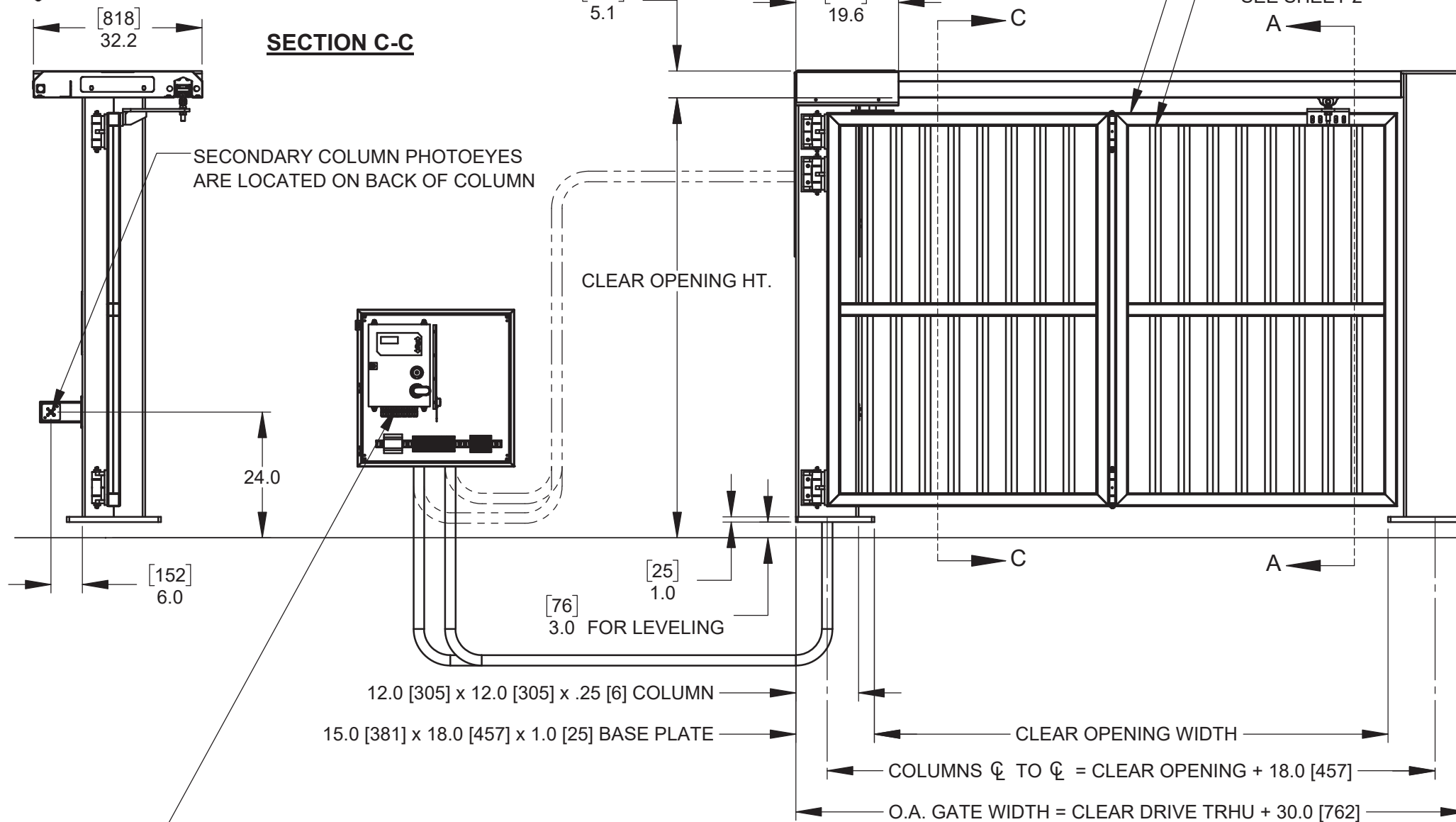


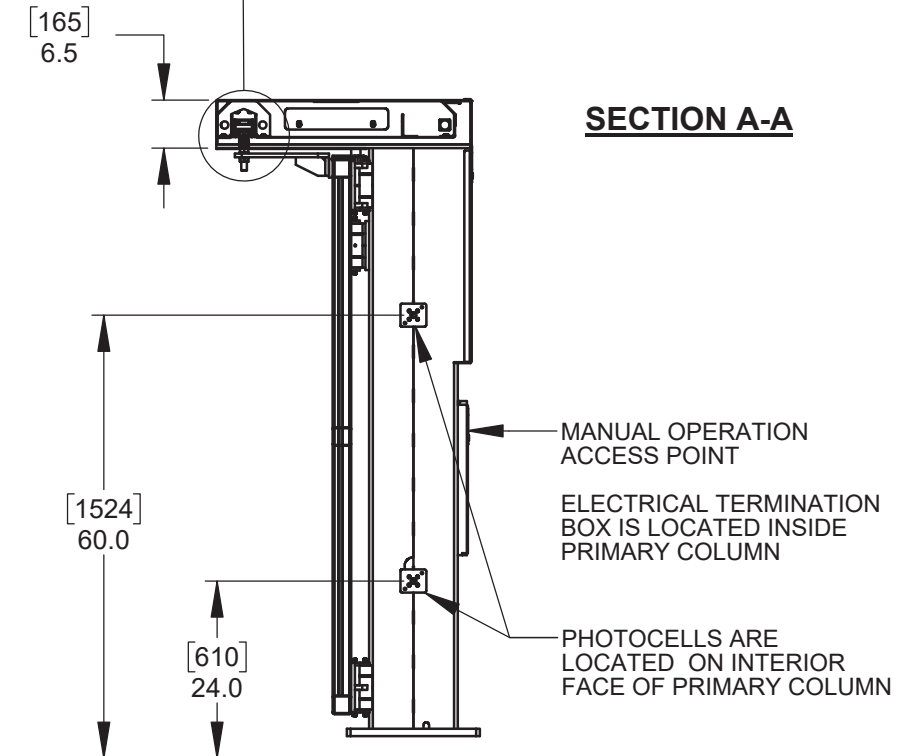
DETAIL B - TRACK / GUIDE WHEEL



SECTION C-C



SECTION A-A



NOTES:

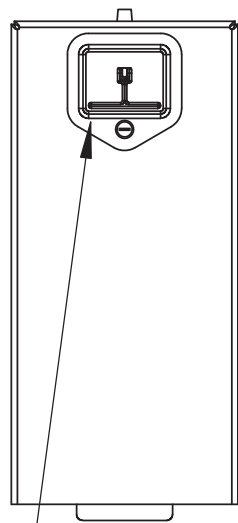
- FINISH:
HOT DIPPED GALVANIZED FINISH STANDARD
OPTIONAL POWDER COAT FINISH AVAILABLE
- PANEL LOCK SUPPLIED AND INSTALLED BY OTHERS

ELECTRICAL CONTROLLER IS MOUNTED IN A 30.0 [762] x 3.0 [762] x 12.0 [305] NEMA 3R ENCLOSURE, c/w WIRING HARNESS. STANDARD HARNESS LENGTH ALLOWS FOR CONTROLLER ENCLOSURE TO BE PLACED UP TO 30' [9144] FROM PRIMARY COLUMN. CONTROLLERS, ENCLOSURE AND HARNESS BY WALLACE INTERNATIONAL. CONDUIT - BY OTHERS. SEE SHEET 2 FOR CONDUIT SIZES, QUANTITIES AND LOCATIONS.
POWER REQUIREMENTS - 208 / 240V SINGLE PHASE - 20 AMP

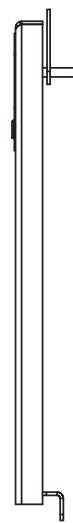


115 Lawson Crescent
Winnipeg, Manitoba, Canada, R3P 1A6
Phone: 1-866-300-1110
Fax: 1-204-284-1868
Web: www.wallaceperimetersecurity.com

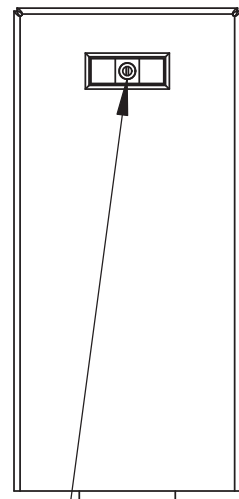
| | | |
|---|---------------------------|-------------------------|
| Description: CGTT SINGLE BIFOLD CORRIDOR GATE | | |
| Customer: | | |
| Finish: SEE NOTES | Date: 4/30/2020 | |
| Drawing No. CGTT-11-21-19 | Rev. A | Sheet: 1 of 3 |



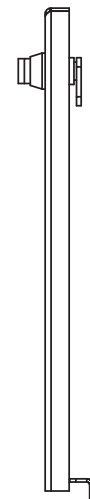
STANDARD T-HANDLE LOCK
.13 [3] ALUMINUM ACCESS DOORS
AT ALL COLUMN ACCESS POINTS



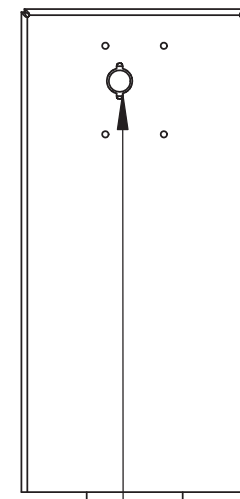
DETAIL B1
STANDARD T-HANDLE LOCK



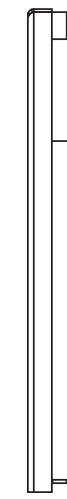
SPRING LOADED "POP LOCK" WITH
ABLOY KEY
.13 [3] ALUMINUM ACCESS DOORS AT
ALL COLUMN ACCESS POINTS



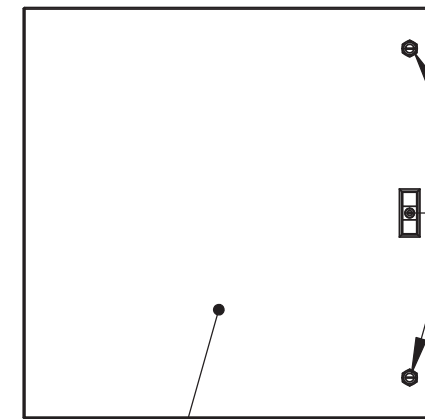
DETAIL B2
OPTIONAL HIGH SECURITY LOCK



PARACENTRIC LOCK
12ga [3] STEEL ACCESS DOORS AT
ALL COLUMN ACCESS POINTS



DETAIL B3
OPTIONAL DETENTION GRADE LOCK



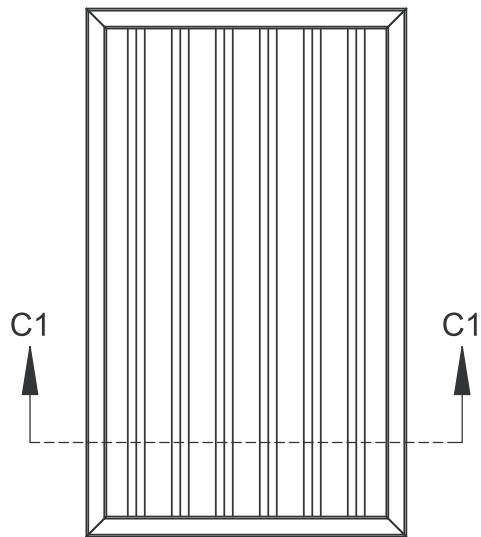
30 [762] x 30 [762] x 12 [305]
CONTROLLER ENCLOSURE

STANDARD:
CAM LOCK (x2)

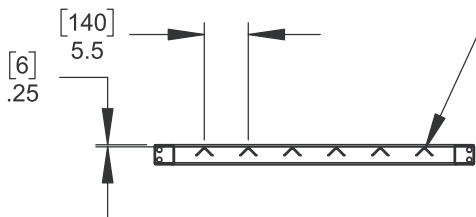
OPTION 1:
HIGH SECURITY, POP LOCK @ ϕ OF DOOR

OPTION 2:
DETENTION GRADE, PARACENTRIC LOCK @ ϕ OF DOOR

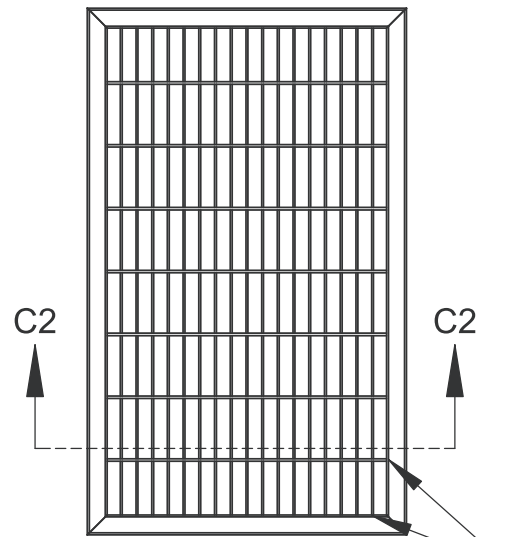
DETAIL D
CONTROLLER ENCLOSURE LOCK



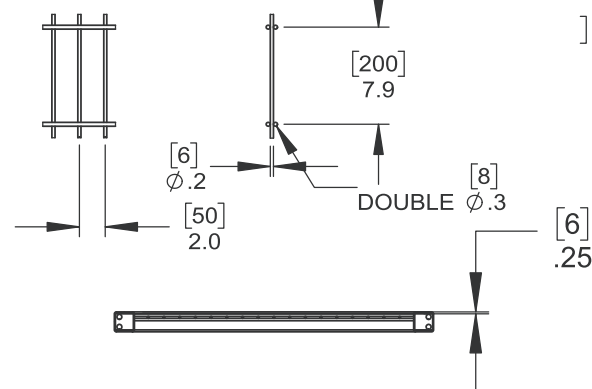
1.5 [38] x 1.5 [38] x .13 [3]
STRUCTURAL ANGLE PICKETS



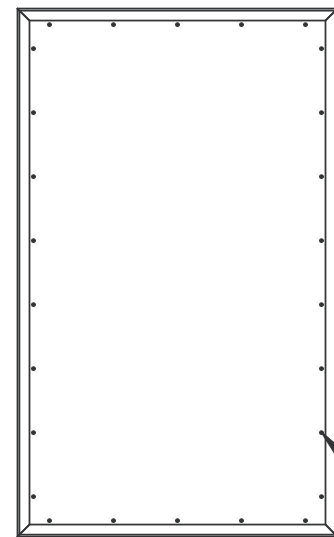
DETAIL C1 - VERTICAL PICKET



WELDED WIRE INFILL IS WELDED
TO PANEL FRAME AT ALL WIRE
LOCATIONS



DETAIL C2 - WELDED WIRE INFILL



INFILL PANELS ARE SECURED TO PANEL
USING 3/16" [5] POP RIVET @ 10.0 [254] O/C

OPTIONS:

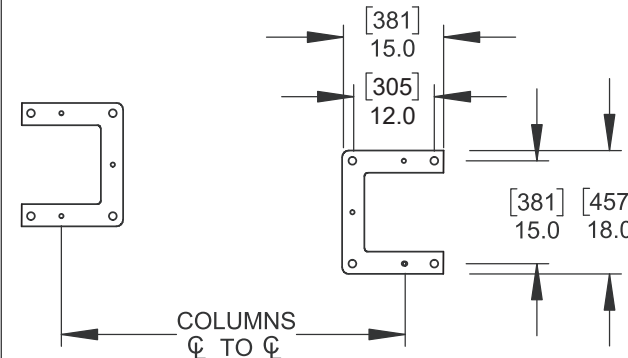
STANDARD: - 14ga [1.6] ALUMINUM
HIGH SECURITY - 16ga [1.5] STEEL

1 PANEL: PANEL ON NON-SECURE SIDE

2 PANEL: PANELS ON BOTH NON-SECURE &
SECURE SIDES



DETAIL C3 - SOLID PANEL INFILL



DETAIL E OPTIONAL ANCHORS / ANCHOR TEMPLATE KIT:

OPTIONAL ANCHOR TEMPLATE KIT:

2 - .13 [3] STEEL ANCHOR TEMPLATES FOR FIELD
CONSTRUCTION OF GATE ANCHOR DRILLING TEMPLATE.
8 - HILTI HAS-E-16 ANCHORS
8 - HILTI HVU ADHESIVE CAPSULES

OPTIONAL ANCHOR BOLT KIT:

8 - HILTI HAS-E-16 ANCHORS
8 - HILTI HVU ADHESIVE CAPSULES

INCLUDED:

- ELECTRONIC GATE CONTROLLER MOUNTED IN A 30" [762] x 30" [762] x 12" [305] NEMA 3R ENCLOSURE.
- ELECTRICAL HARNESS TO CONNECT GATE CONTROLLERS TO DRIVE COMPONENTS.
STANDARD WIRING HARNESS LENGTH ALLOWS FOR THE CONTROL ENCLOSURE TO BE MOUNTED UP
TO 30' [9144] FROM PRIMARY COLUMN. OPTIONAL EXTENDED WIRING HARNESS IS AVAILABLE.
CONTACT WALLACE PERIMETER SECURITY FOR DETAILS.
- KEY(S) AND LOCK(S) FOR ALL ACCESS PANELS, SEE SHEET 3, DETAILS E1 TO E4 FOR AVAILABLE LOCK
OPTIONS.

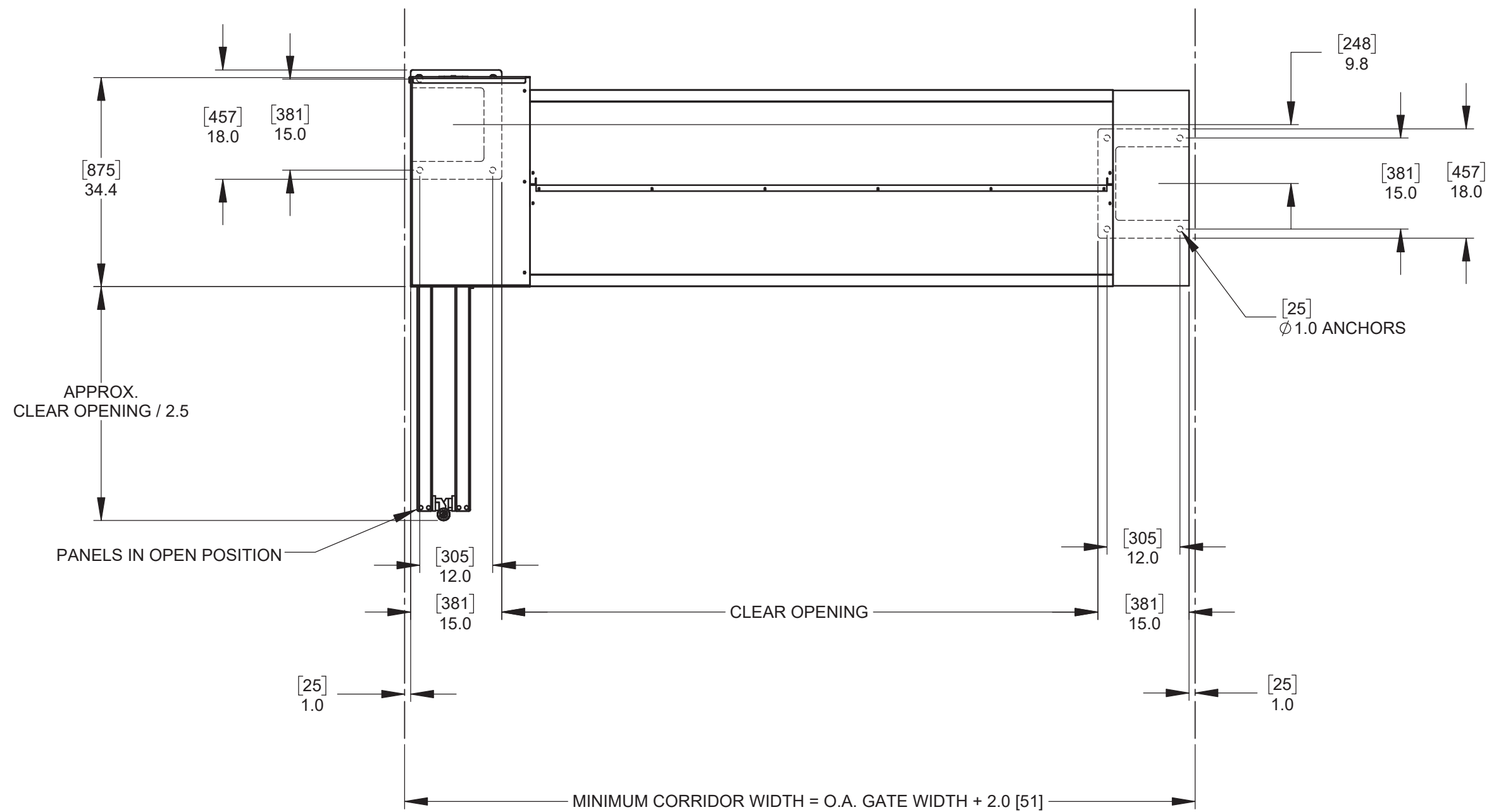
NOT INCLUDED:

- GATE MOUNTING HARDWARE, OPTIONAL ANCHOR BOLT OR ANCHOR BOLT & TEMPLATE KITS AVAILABLE.
- VEHICLE DETECTION LOOPS
- GROUT TO FILL GAP UNDER COLUMN BASE PLATES WHEN GATE INSTALLATION / LEVELING IS COMPLETE



115 Lowson Crescent
Winnipeg, Manitoba, Canada, R3P 1A6
Phone: 1-866-300-1110
Fax: 1-204-284-1868
Web: www.wallaceperimetersecurity.com

| | | | |
|--------------|----------------------|---|------------|
| Description: | | CGTT SINGLE BIFOLD CORRIDOR GATE | |
| Customer: | | | |
| Finish: | | Date: | 11/21/2019 |
| Drawing No. | CGTT-11-21-19 | Rev. | A |
| | | Sheet: | 2 of 3 |



| | | |
|---|----------|---------------|
| Description: | | |
| CGTT SINGLE BIFOLD CORRIDOR GATE | | |
| Customer: | | |
| Finish: | Date: | |
| | | 4/30/2020 |
| Drawing No. | Rev. | Sheet: |
| CGTT-11-21-19 | A | 3 of 3 |


WALLACE
 PERIMETER SECURITY

115 Lawson Crescent
 Winnipeg, Manitoba, Canada, R3P 1A6
 Phone: 1-866-300-1110
 Fax: 1-204-284-1868
 Web: www.wallaceperimetersecurity.com