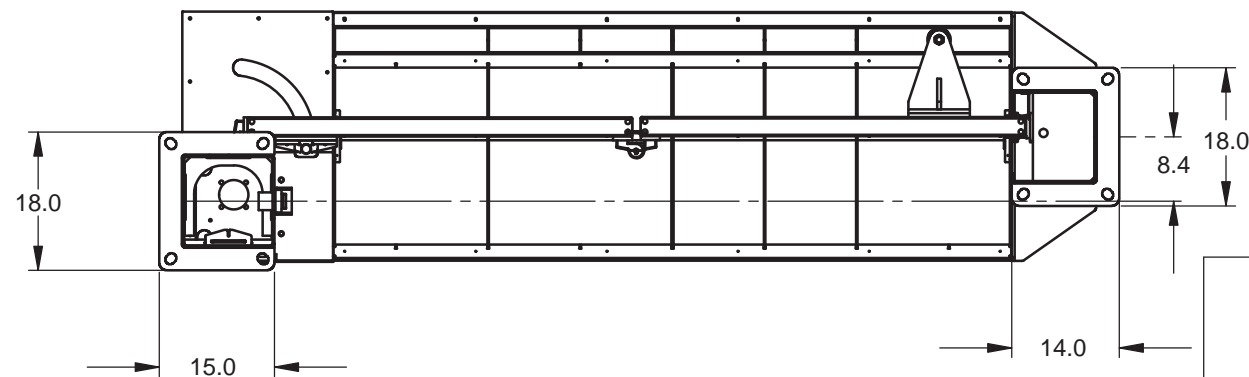
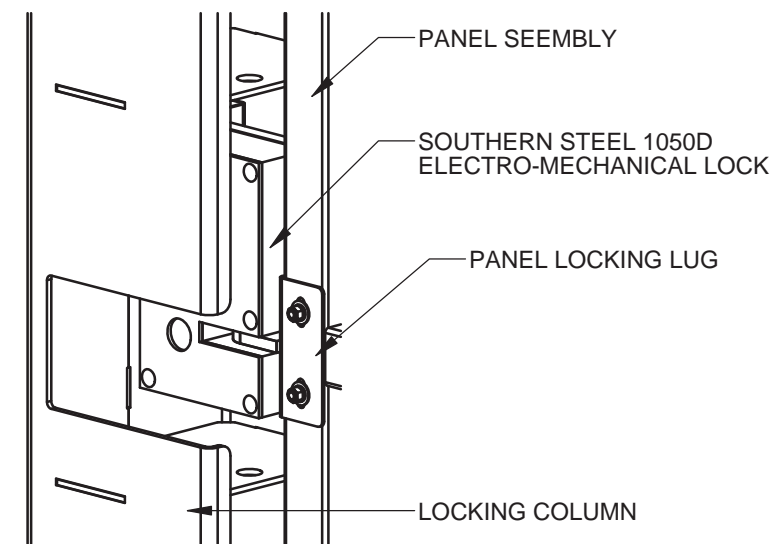


ELECTRICAL CONTROLLER IS MOUNTED IN A 30.0" x 24.0" x 12.0" NEMA 3R ENCLOSURE, c/w WIRING HARNESS. STANDARD HARNESS LENGTH ALLOWS FOR CONTROLLER ENCLOSURE TO BE PLACED UP TO 30 FT. FROM PRIMARY COLUMN. OPTIONAL EXTENDED HARNESS IS AVAILABLE WHERE CONTROLLERS ARE TO BE MOUNTED BEYOND THE STANDARD WIRE HARNESS LENGTH.

CONTROLLERS, ENCLOSURE AND HARNESS BY WALLACE INTERNATIONAL. CONDUIT - BY OTHERS, SEE SHEET 2 FOR CONDUIT SIZES, QUANTITIES AND LOCATIONS.

POWER REQUIREMENTS - 208 / 240V SINGLE PHASE - 15 AMP

LOCKING COLUMN DETAIL



90 Lawson Crescent
 Winnipeg, Manitoba, Canada, R3P 2H8
 Phone: 1-866-300-1110
 Fax: 1-204-284-1868
 www.wallaceperimetersecurity.com

Description:		PDTT SINGLE BI0FLD CORRIDOR GATE 7' HT. c/w SOUTHERN STEEL 1050D HIGH SECURITY LOCK	
Customer / Project Name:		-	
Finish:		Date:	7/7/2017
Drawing No.	CG-07-07-17	Rev.	Sheet: 1 of 1