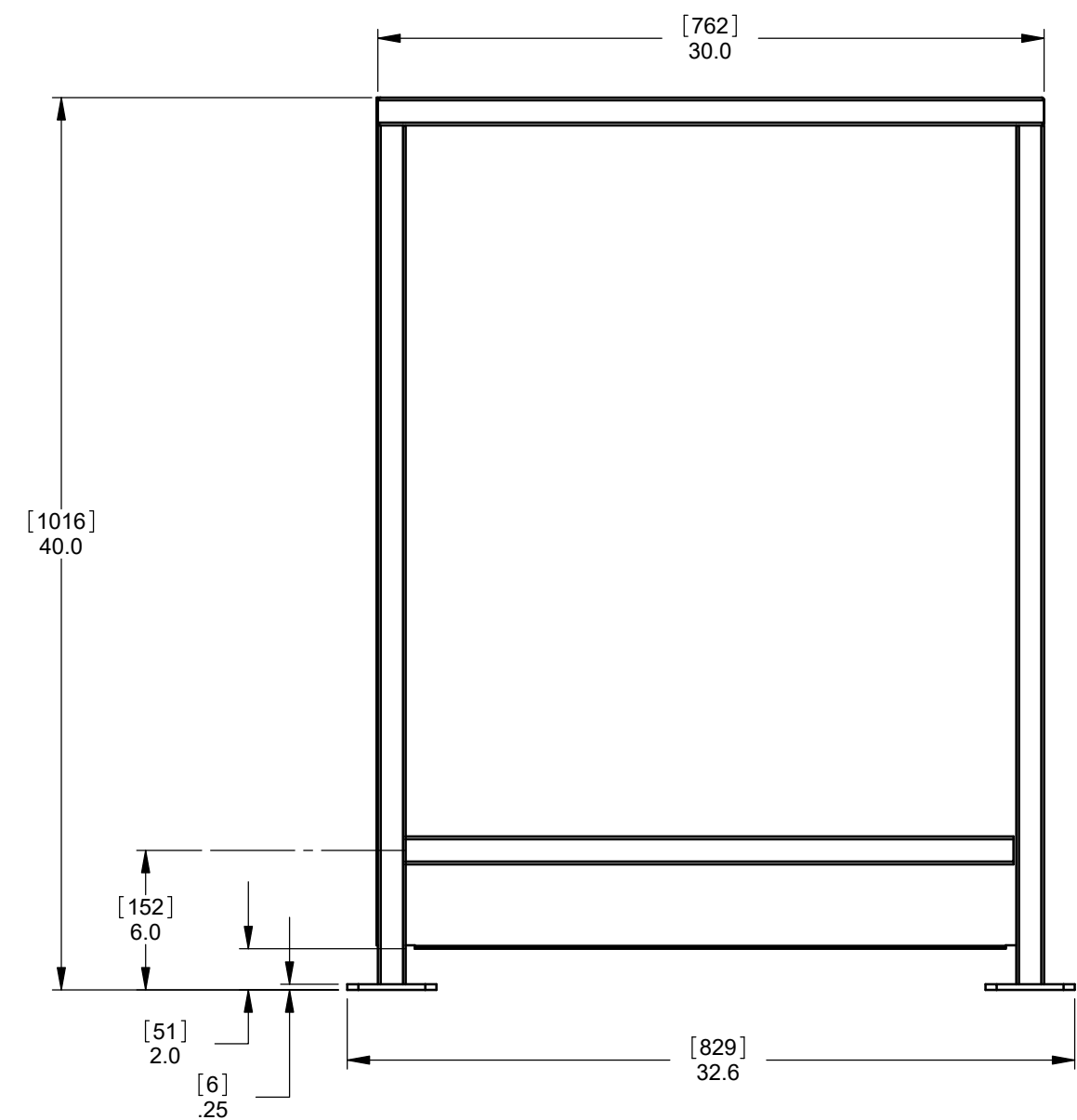
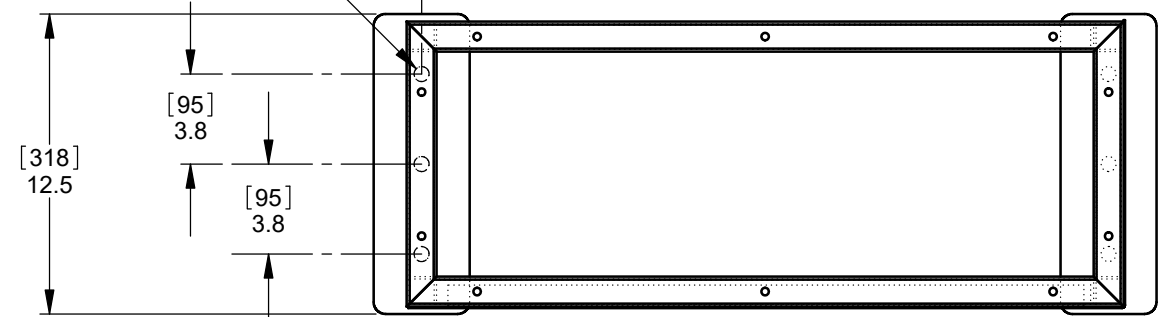
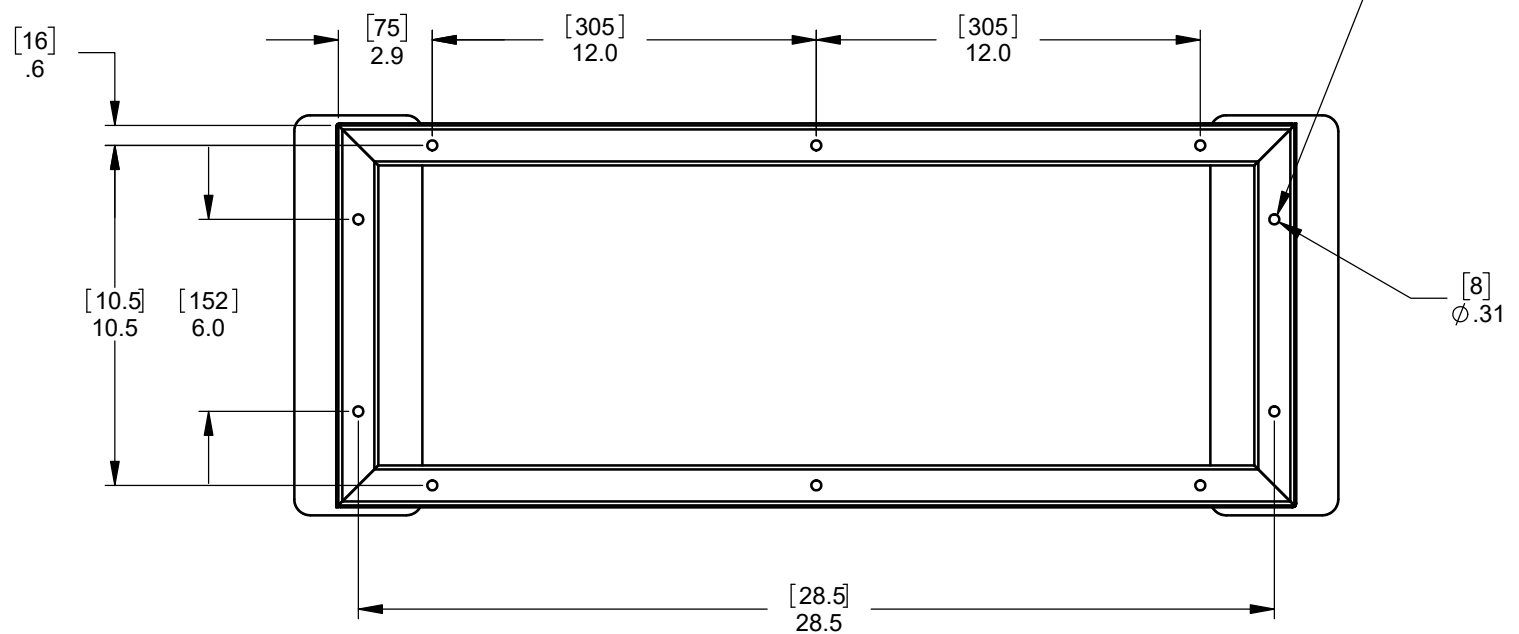


[19]
 ϕ .8 (x3) MOUNTING HOLES



CONTROL ENCLOSURE MOUNTING HOLES



Description:
CONTROLLER STAND HORIZONTAL
 30" [762] x 30" [762] x 12" [305] CONTROLLER ENCLOSURE

Customer / Project:

Finish:
 GALVANIZED / OPTIONAL POWDER COAT PAINT
 Date:
 11/12/19

Drawing No.
CSH-11-12-19
 Rev.
 Sheet:
 1 of 1

115 Lawson Crescent
 Winnipeg, Manitoba, Canada, R3P 1A6
 Phone: 1-866-300-1110
 Fax: 1-204-284-1868
 Web: www.wallaceperimetersecurity.com