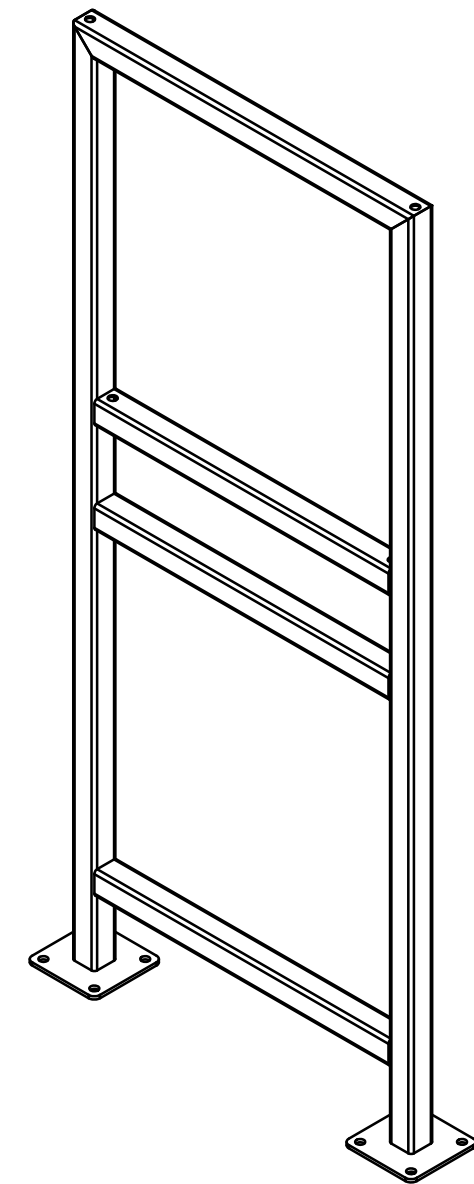


OPTIONAL CROSSMEMBER
FOR STACKED CONTROLLER
ENCLOSURES

2.0 [51] x 2.0 [51] x .13 [3] HSS



115 Lawson Crescent
Winnipeg, Manitoba, Canada, R3P 1A6
Phone: 1-866-300-1110
Fax: 1-204-284-1868
Web: www.wallaceperimetersecurity.com

Description:		CONTROLLER STAND VERTICAL	
		30" [762] x 30" [762] x 12" [305] CONTROLLER ENCLOSURE	
Customer / Project:			
Finish:	GALVANIZED / OPTIONAL POWDER COAT PAINT		Date:
			11/12/19
Drawing No.	Rev.	Sheet:	
CSV-11-12-19		1 of 1	