

DIMENSIONS ARE SHOWN IN MILLIMETERS. DIMENSIONS SHOWN IN [ ] ARE IN INCHES

**NOTE:**  
 PRODUCT MUST BE INSTALLED IN ACCORDANCE WITH ASTM: F-2200 & UL325

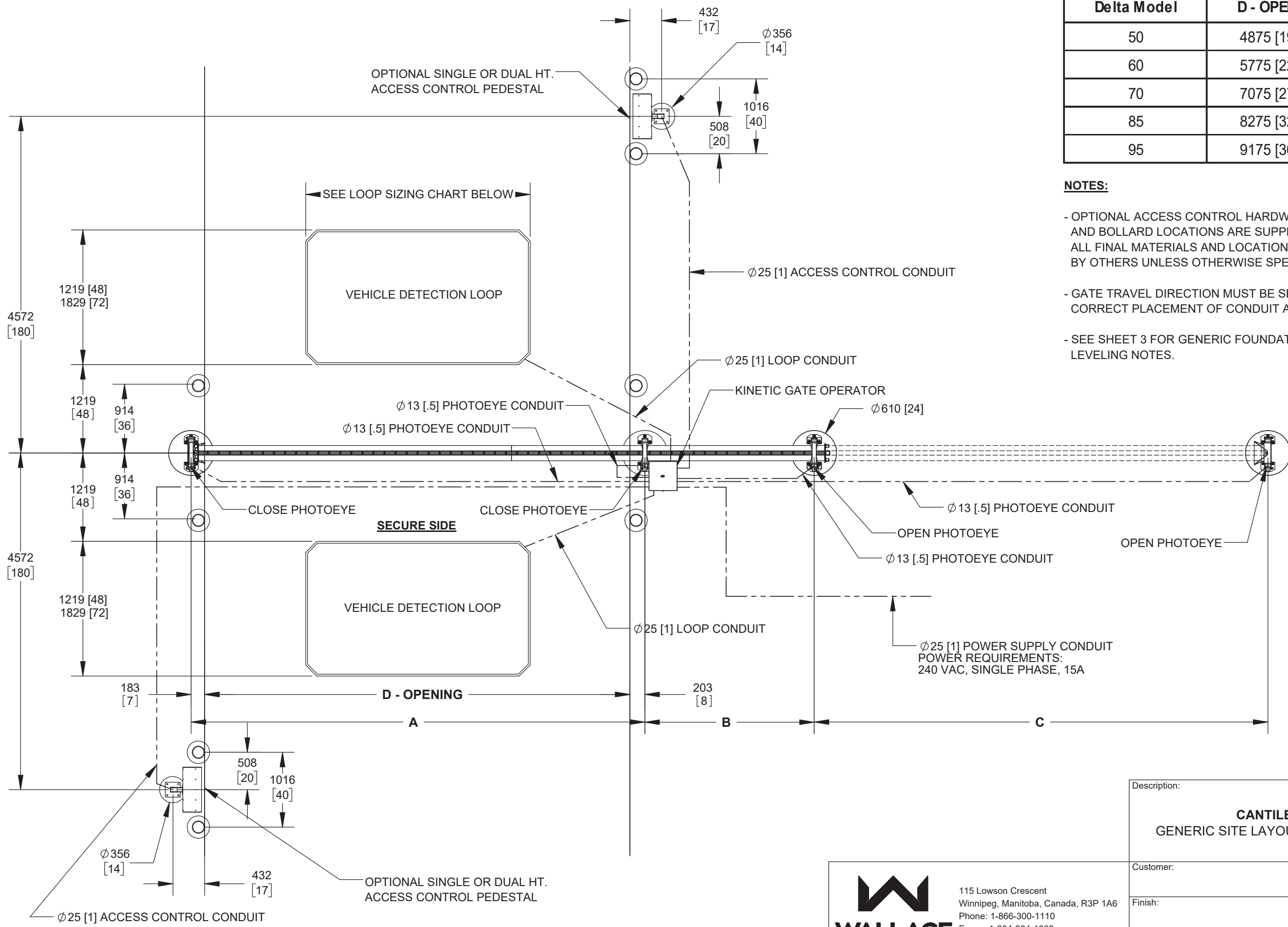
**FINISH NOTES:**  
 STANDARD FINISH:  
 HOT DIPPED GALVANIZED ON ALL STEEL COMPONENTS  
 MILL FINISH ON ALL ALUMINUM COMPONENTS

OPTIONAL POWDER COAT FINISH AVAILABLE, RAL# TO BE SPECIFIED

Delta Model	H	A	B	C	D	U max	SP
50/200	2000 [78.7]	5260 [207.1]	2300 [90.6]	5260 [207.1]	4875 [191.9]	12960 [510.2]	141 [5.55]
50/250	2500 [98.4]						
60/200	2000 [78.7]	6160 [242.5]	2300 [90.6]	6160 [242.5]	5775 [227.4]	14760 [581.1]	141 [5.55]
60/250	2500 [98.4]						
70/200	2000 [78.7]	7460 [293.7]	2800 [110.2]	7460 [293.7]	7075 [278.5]	17860 [703.1]	143 [5.63]
70/250	2500 [98.4]						
85/200	2000 [78.7]	8660 [340.9]	2800 [110.2]	8660 [340.9]	8275 [325.8]	20260 [797.6]	143 [5.63]
85/250	2500 [98.4]						
95/200	2000 [78.7]	9560 [376.4]	2800 [110.2]	9560 [376.4]	9175 [361.2]	22060 [868.5]	141 [5.55]

Description: <b>DELTA CANTILEVER SLIDE GATE STANDARD DIMENSIONS</b>		
Customer:		
Finish: <b>SEE FINISH NOTES</b>	Date: 11/25/2022	
Drawing No. <b>DELTA-09-26-22</b>	Rev. <b>A</b>	Sheet: 1 of 6

115 Lowson Crescent  
 Winnipeg, Manitoba, Canada, R3P 1A6  
 Phone: 1-866-300-1110  
 Fax: 1-204-284-1868  
 Web: www.wallaceperimetersecurity.com



Delta Model	D - OPENING	LOOP WIDTH
50	4875 [191.9]	3658 [144.0]
60	5775 [227.4]	4267 [168.0]
70	7075 [278.5]	5486 [216.0]
85	8275 [325.8]	6096 [240.0]
95	9175 [361.2]	6096 [240.0]

**NOTES:**

- OPTIONAL ACCESS CONTROL HARDWARE, VEHICLE DETECTION LOOP AND BOLLARD LOCATIONS ARE SUPPLIED AS A REFERENCE ONLY. ALL FINAL MATERIALS AND LOCATIONS ARE SUPPLIED AND INSTALLED BY OTHERS UNLESS OTHERWISE SPECIFIED AT TIME OF ORDER.
- GATE TRAVEL DIRECTION MUST BE SPECIFIED AT TIME OF ORDER FOR CORRECT PLACEMENT OF CONDUIT AND GATE OPERATOR.
- SEE SHEET 3 FOR GENERIC FOUNDATION SIZING, INSTALLATION AND LEVELING NOTES.

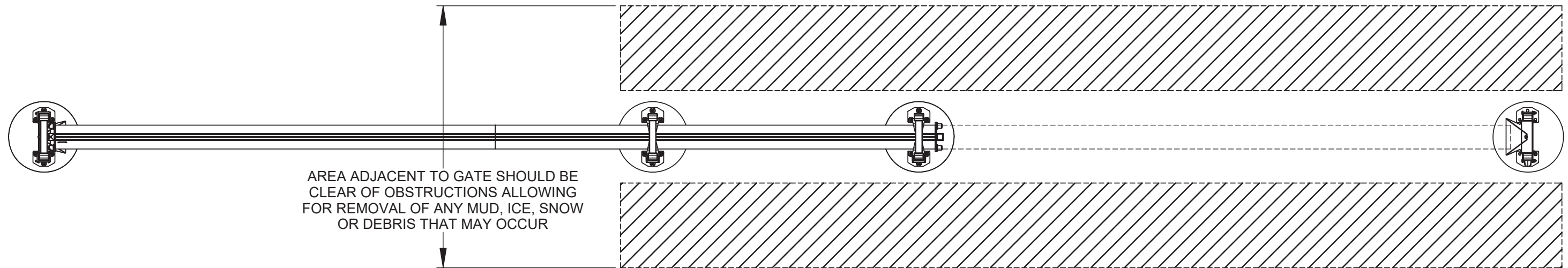
Product must be installed in accordance with ASTM: F-2200 & UL325


**WALLACE**  
 PERIMETER SECURITY

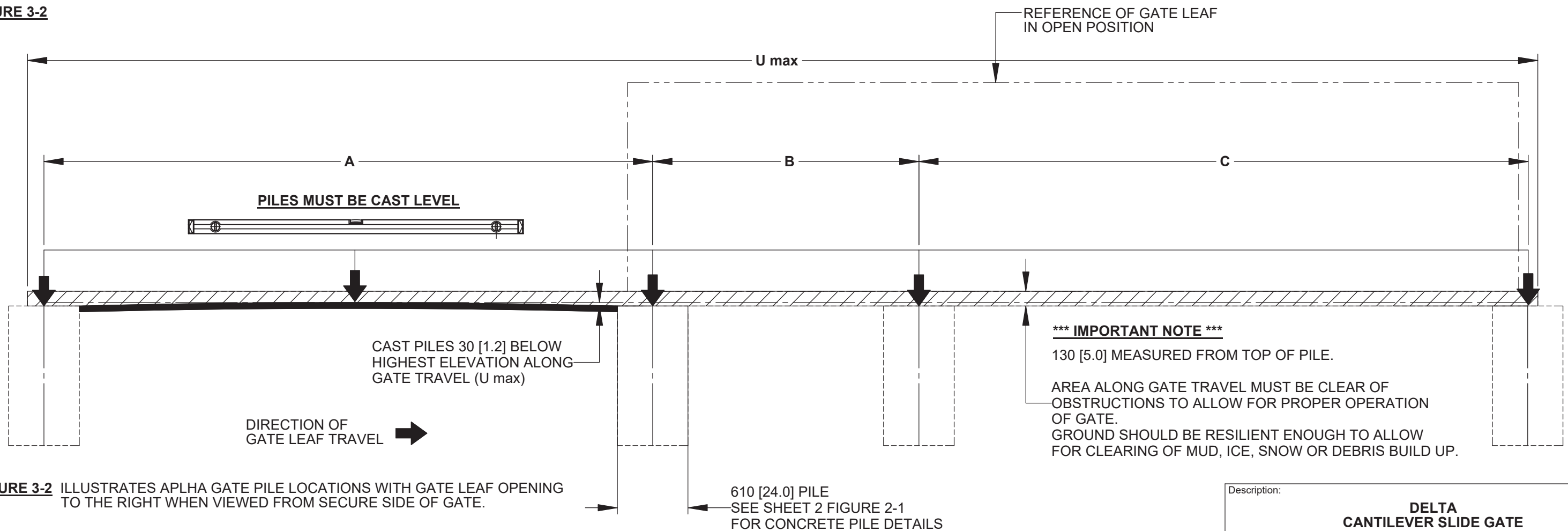
115 Lawson Crescent  
 Winnipeg, Manitoba, Canada, R3P 1A6  
 Phone: 1-866-300-1110  
 Fax: 1-204-284-1868  
 Web: www.wallaceperimetersecurity.com

Description: <b>DELTA CANTILEVER SLIDE GATE</b> GENERIC SITE LAYOUT / CONDUIT REQUIREMENTS		
Customer:		
Finish:	Date: 11/25/2022	
Drawing No. <b>DELTA-09-26-22</b>	Rev. <b>A</b>	Sheet: 2 of 6

**FIGURE 3-1**



**FIGURE 3-2**

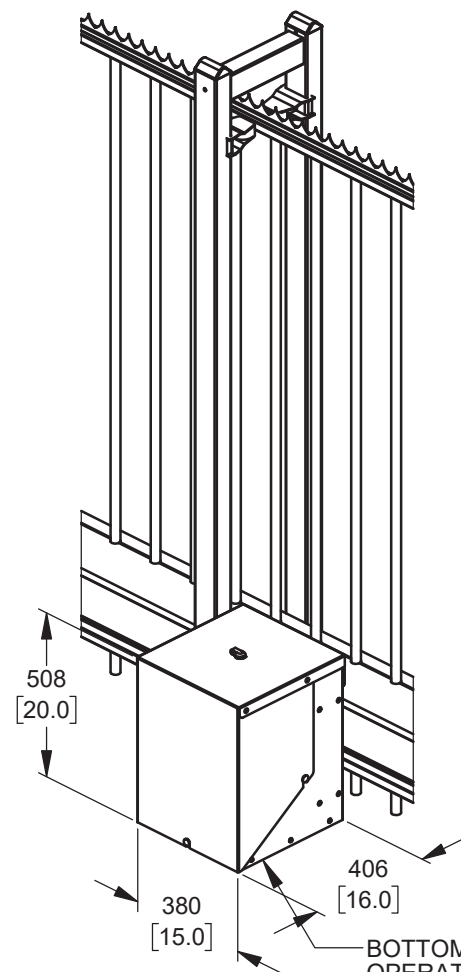


**FIGURE 3-2** ILLUSTRATES ALPHA GATE PILE LOCATIONS WITH GATE LEAF OPENING TO THE RIGHT WHEN VIEWED FROM SECURE SIDE OF GATE.

Description:		
<b>DELTA CANTILEVER SLIDE GATE FOUNDATION INSTALLATION NOTES</b>		
Customer:		
Finish:	Date:	
	11/26/2022	
Drawing No.	Rev.	Sheet:
<b>DELTA-09-26-22</b>	<b>A</b>	<b>3 of 6</b>

**WALLACE**  
PERIMETER SECURITY

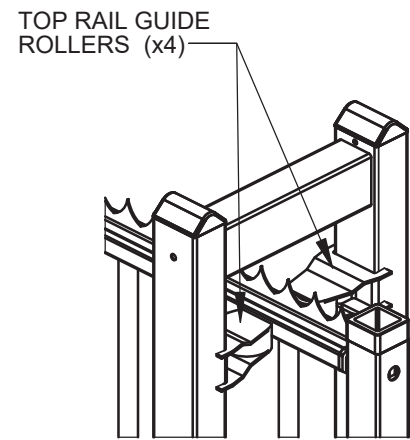
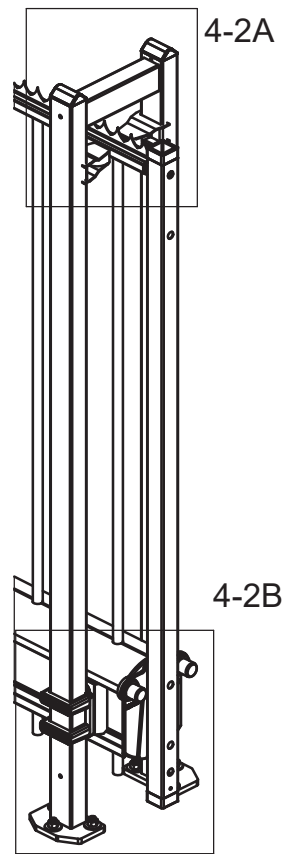
115 Lowson Crescent  
Winnipeg, Manitoba, Canada, R3P 1A6  
Phone: 1-866-300-1110  
Fax: 1-204-284-1868  
Web: www.wallaceperimetersecurity.com



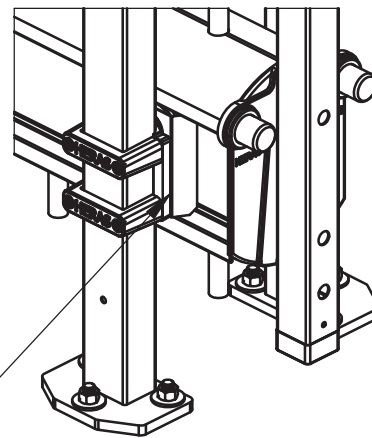
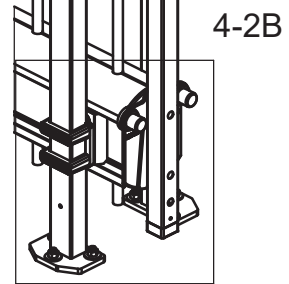
BOTTOM OF KINETIC GATE OPERATOR IS 81 [3] FROM GRADE

**NOTE:**  
KINETIC GATE OPERATOR IS LOCATED ON THE SECURE SIDE OF GATE. GATE TRAVEL DIRECTION MUST BE SPECIFIED AT TIME OF ORDER TO DETERMINE CORRECT CONTROLLER LOCATION. REFER TO SHEET 2 FOR MORE INFORMATION.

**DETAIL 4-1 - GATE CONTROLLER**



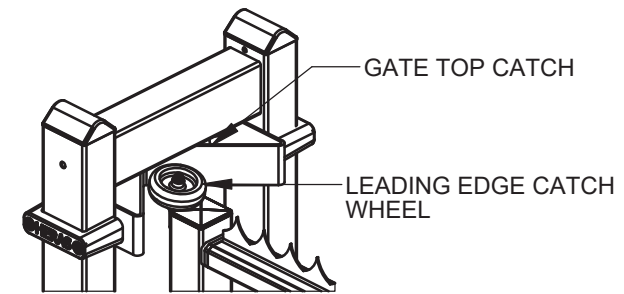
**DETAIL 4-2A - TOP RAIL GUIDE ROLLER**



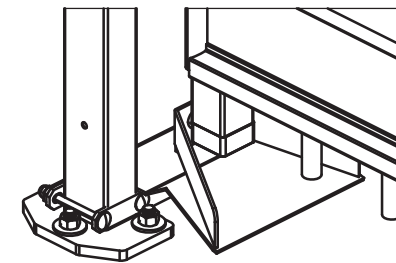
**DETAIL 4-2B - MAIN BEAM ROLLER SET**

MAIN BEAM ROLLER SET (X2)

**DETAIL 4-2 - ROLLERS**



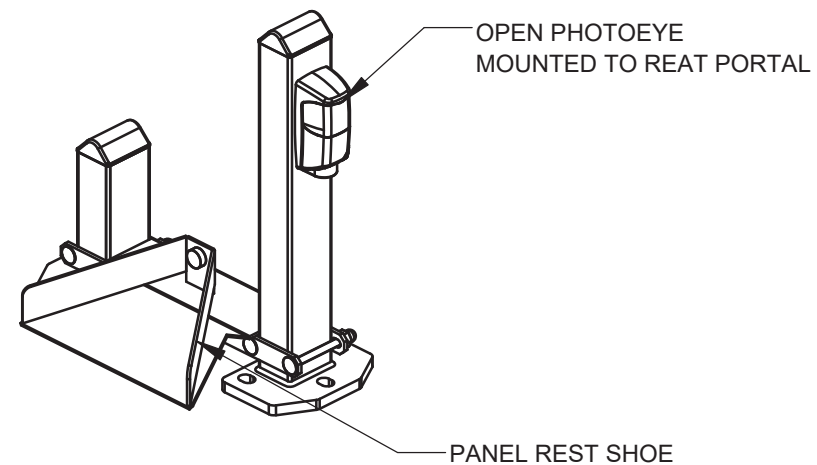
**DETAIL 4-3A - LEADING EDGE CATCH WHEEL**



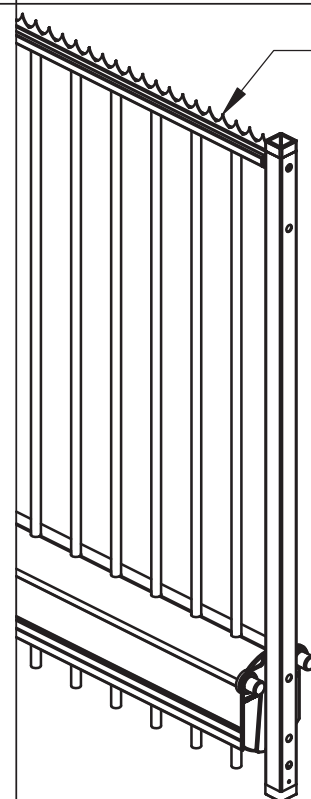
**DETAIL 4-3B - BOTTOM PANEL CATCH / REST**

4-3B

**DETAIL 4-3 - PANEL CATCH PORTAL**

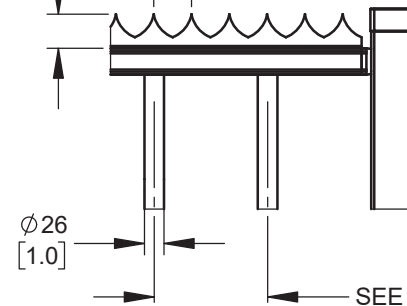


**DETAIL 4-4 - PANEL REST PORTAL**



SERRATED ANTI-CLIMB EDGE

45 [1.8]      50 [2.0]



SEE CHART ON PAGE 1

**DETAIL 4-4 - PANEL PICKETS \ DETAILS**

**NOTES:**

**GATE FINISH:**

- HOT DIPPED GALVANIZED FINISH ON ALL STEEL COMPONENTS
- ALUMINUM GATE BEAMS - CLEAR ANODIZED FINISH

**OPTIONAL FINISH:**

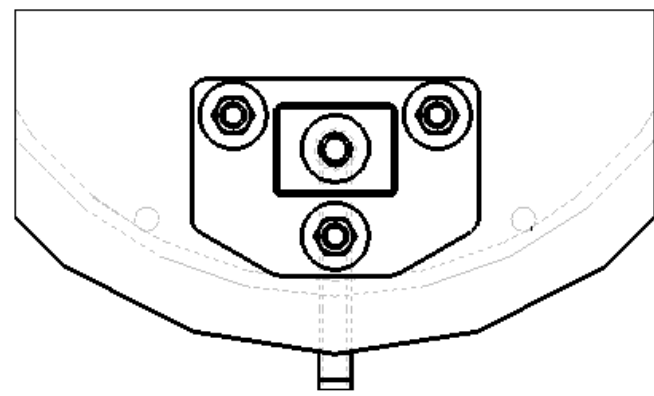
- POWDER COAT FINISH AVAILABLE - RAL COLOR NUMBER MUST BE PROVIDED AT TIME OF ORDER

GATE MUST BE INSTALLED IN ACCORDANCE WITH ASTM F-2200 & UL325

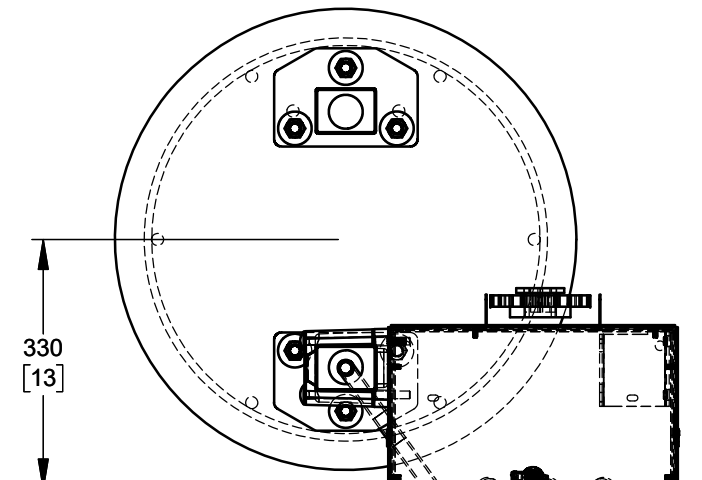
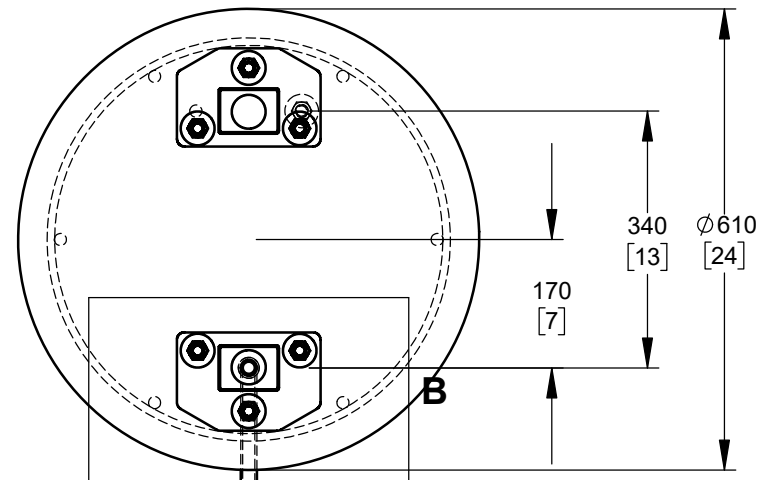
Description:		<b>DELTA CANTILEVER GATE SYSTEM DETAILS &amp; NOTES</b>	
Customer:			
Finish:		Date:	11/26/2022
Drawing No.	<b>DELTA-09-26-22</b>	Rev.	<b>A</b>
		Sheet:	4 of 6



115 Lowson Crescent  
Winnipeg, Manitoba, Canada, R3P 1A6  
Phone: 1-866-300-1110  
Fax: 1-204-284-1868  
Web: www.wallaceperimetersecurity.com



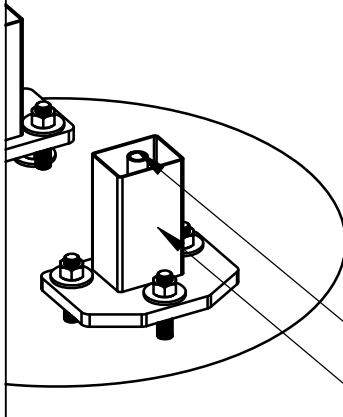
**DETAIL B**  
USE TEMPLATE SUPPLIED WITH DELTA GATE TO ENSURE PROPER PLACEMENT OF CONDUIT IN PILE



- 13mm 1/2" FLEX TYPE PHOTOEYE CONDUIT
- 25mm 1" POWER CONDUIT
- 25mm 1" COMMUNICATION CONDUIT
- 25mm 1" SPARE CONDUIT

KINETIC GATE OPERATOR

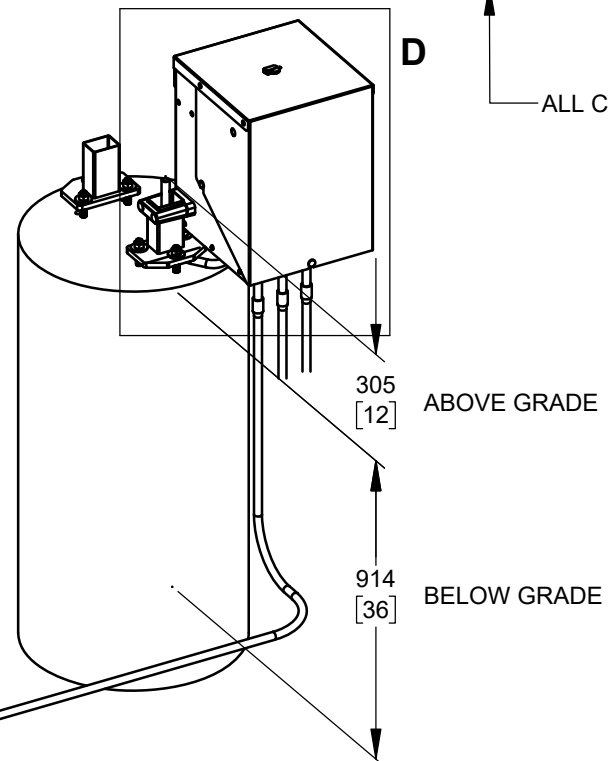
ALL CONDUIT BELOW GRADE TO BE RIGID TYPE PVC



**DETAIL C**  
CATCH PORTAL PHOTOEYE CONDUIT INSTALLED ON SECURE SIDE OF GATE PORTAL

13 [1/2"] FLEX TYPE CONDUIT

CATCH PORTAL, SECURE SIDE OF GATE



305 [12] ABOVE GRADE

914 [36] BELOW GRADE

KINETIC GATE OPERATOR

13 [1/2"] FLEX TYPE CONDUIT FROM KINETIC GATE OPERATOR TO PHOTOEYE MOUNTED ON PORTAL - BY GATE INSTALLERS

GROUT FLEX CONDUIT IN PLACE WHEN INSTALLATION IS COMPLETE.

**DETAIL D**  
OPERATOR / PORTAL PHOTOEYE CONDUIT

13 [1/2"] FLEX TYPE CONDUIT STUBBED INTO CENTER OF GATE CATCH PORTAL SEE DETAILS B & C

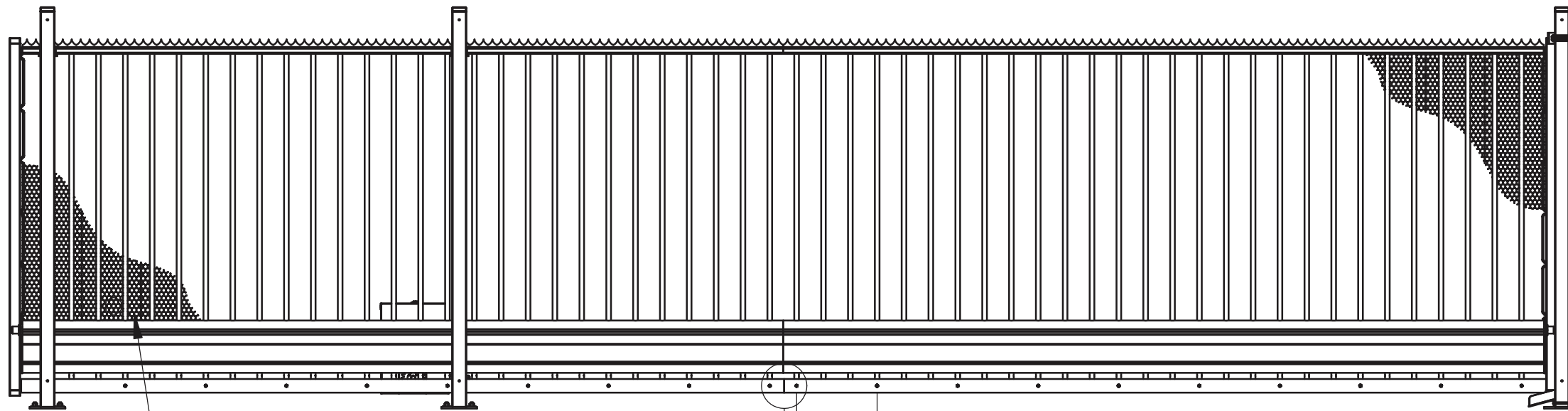
C

Product must be installed in accordance with ASTM: F-2200 & UL325



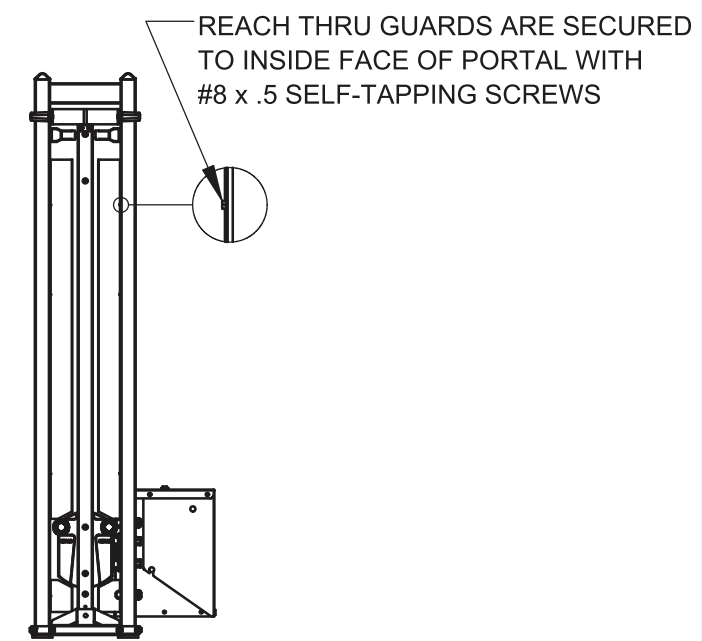
115 Lowson Crescent  
Winnipeg, Manitoba, Canada, R3P 1A6  
Phone: 1-866-300-1110  
Fax: 1-204-284-1868  
Web: www.wallaceperimetersecurity.com

Description:		
<b>DELTA CANTILEVER SLIDE GATE CONDUIT</b>		
Customer:		
Finish:	Date:	
	11/28/2022	
Drawing No.	Rev.	Sheet:
<b>DELTA-09-26-22</b>	<b>A</b>	5 of 6



20ga REVERSE TWIST PVC BLACK HEX NETTING SECURED TO PICKETS AND END MESH RETAINERS WITH 9ga FENCE TIES.

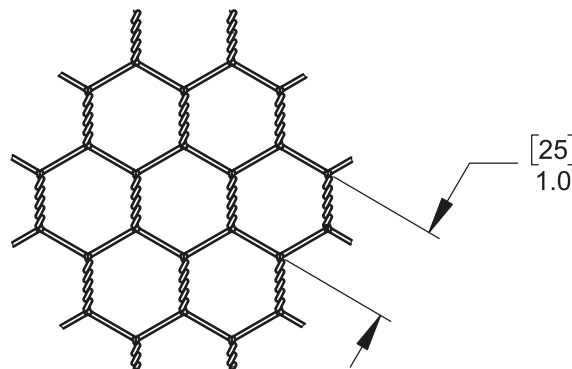
[450]  
17.7



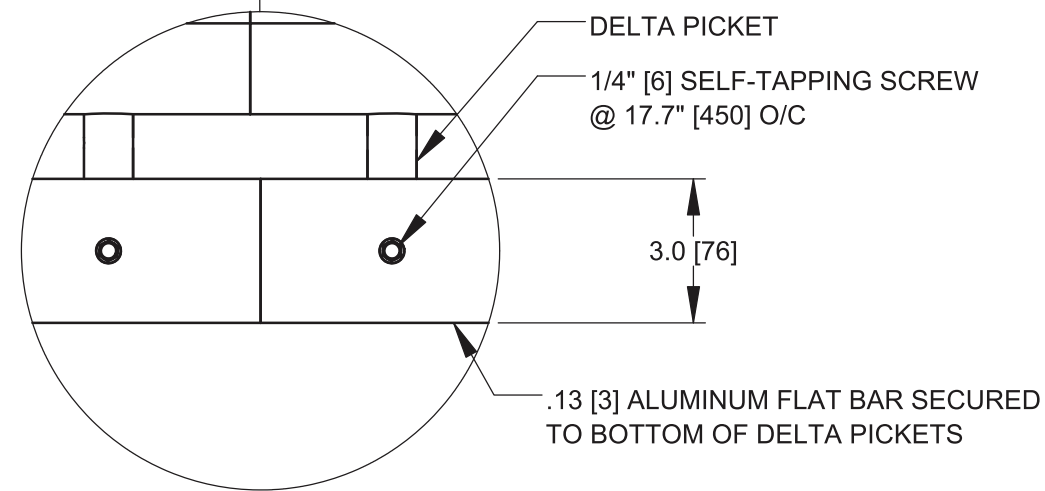
REACH THRU GUARDS ARE SECURED TO INSIDE FACE OF PORTAL WITH #8 x .5 SELF-TAPPING SCREWS

**DETAIL C**  
PORTAL REACH THRU GUARDS

**DETAIL A**  
20ga 1.0" [25] REVERSE TWIST HEX NETTING



[25]  
1.0

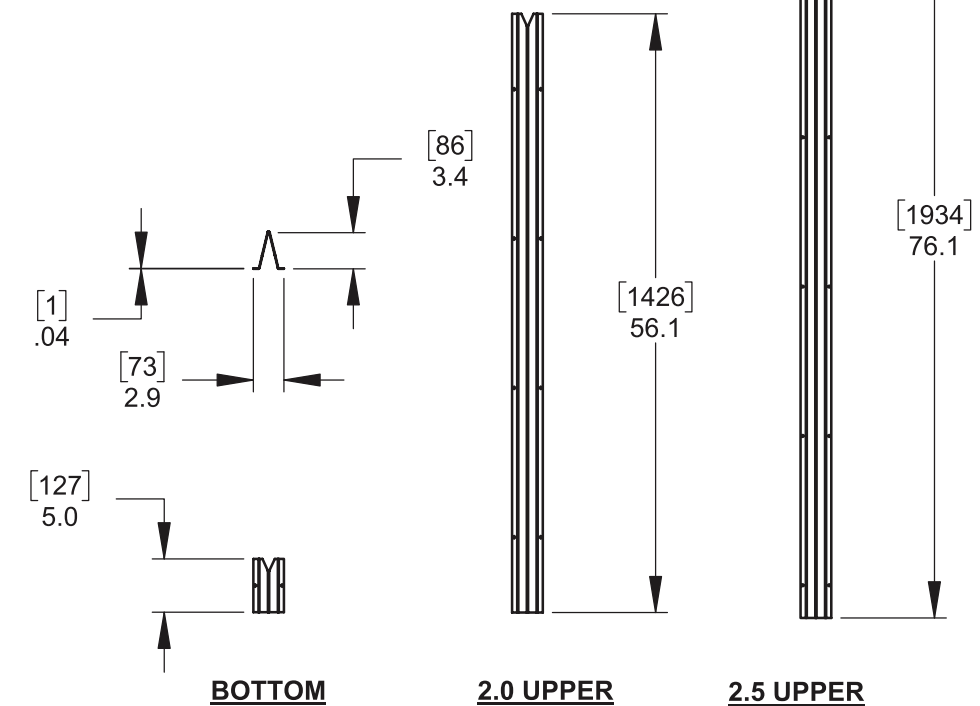


DELTA PICKET  
1/4" [6] SELF-TAPPING SCREW @ 17.7" [450] O/C

3.0 [76]

.13 [3] ALUMINUM FLAT BAR SECURED TO BOTTOM OF DELTA PICKETS

**DETAIL B**  
3.0 [76] x .13 [3] BOTTOM PICKET GUARD



[1]  
.04

[73]  
2.9

[127]  
5.0

[86]  
3.4

[1426]  
56.1

[1934]  
76.1

**BOTTOM**

**2.0 UPPER**

**2.5 UPPER**

Description: <b>DELTA GATE UL325 KIT INSTALLATION DETAIL</b>		
Customer:		
Finish:	Date: 11/25/2022	
Drawing No. <b>DELTA-09-26-22</b>	Rev. <b>A</b>	Sheet: 6 of 6



115 Lawson Crescent  
Winnipeg, Manitoba, Canada, R3P 1A6  
Phone: 1-866-300-1110  
Fax: 1-204-284-1868  
Web: www.wallaceperimetersecurity.com