

DIMENSIONS ARE SHOWN IN MILLIMETERS. DIMENSIONS SHOWN IN [] ARE IN INCHES

Delta Model	H	A	B	C	D	U max	SP
50/200	2000 [78.7]	5260 [207.1]	2300 [90.6]	5260 [207.1]	4875 [191.9]	12960 [510.2]	141 [5.55]
50/250	2500 [98.4]						
60/200	2000 [78.7]	6160 [242.5]	2300 [90.6]	6160 [242.5]	5775 [227.4]	14760 [581.1]	141 [5.55]
60/250	2500 [98.4]						
70/200	2000 [78.7]	7460 [293.7]	2800 [110.2]	7460 [293.7]	7075 [278.5]	17860 [703.1]	143 [5.63]
70/250	2500 [98.4]						
85/200	2000 [78.7]	8660 [340.9]	2800 [110.2]	8660 [340.9]	8275 [325.8]	20260 [797.6]	143 [5.63]
85/250	2500 [98.4]						
95/200	2000 [78.7]	9560 [376.4]	2800 [110.2]	9560 [376.4]	9175 [361.2]	22060 [868.5]	141 [5.55]

NOTE:

PRODUCT MUST BE INSTALLED IN ACCORDANCE WITH ASTM: F-2200 & UL325

FINISH NOTES:

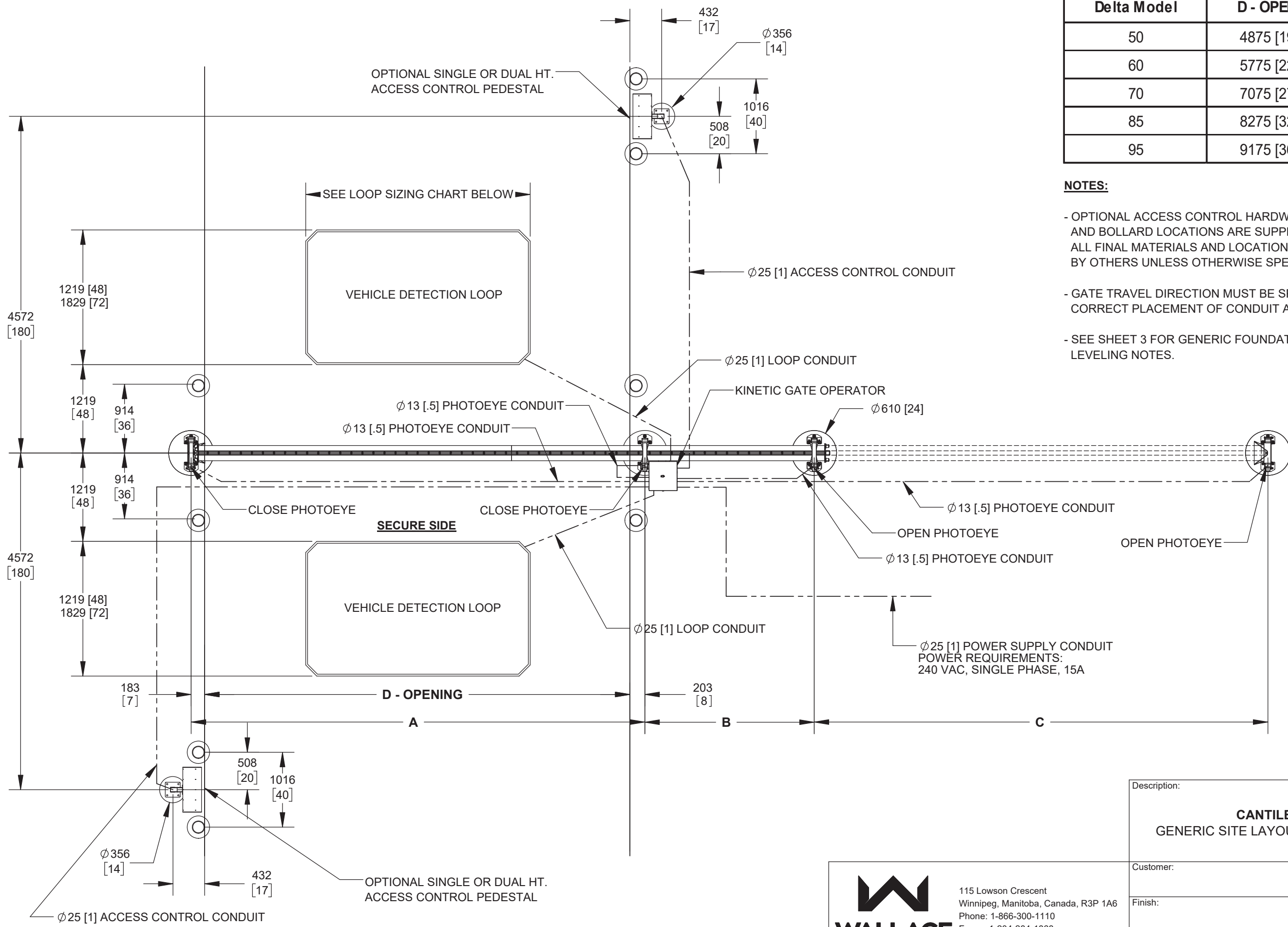
STANDARD FINISH:
HOT DIPPED GALVANIZED ON ALL STEEL COMPONENTS
MILL FINISH ON ALL ALUMINUM COMPONENTS

OPTIONAL POWDER COAT FINISH AVAILABLE, RAL# TO BE SPECIFIED

WALLACE
PERIMETER SECURITY

115 Lowson Crescent
Winnipeg, Manitoba, Canada, R3P 1A6
Phone: 1-866-300-1110
Fax: 1-204-284-1868
Web: www.wallaceperimetersecurity.com

Description:		DELTA CANTILEVER SLIDE GATE STANDARD DIMENSIONS	
Customer:			
Finish:	SEE FINISH NOTES	Date:	11/25/2022
Drawing No.	DELTA-09-26-22	Rev.	A
		Sheet:	1 of 6



Delta Model	D - OPENING	LOOP WIDTH
50	4875 [191.9]	3658 [144.0]
60	5775 [227.4]	4267 [168.0]
70	7075 [278.5]	5486 [216.0]
85	8275 [325.8]	6096 [240.0]
95	9175 [361.2]	6096 [240.0]

NOTES:

- OPTIONAL ACCESS CONTROL HARDWARE, VEHICLE DETECTION LOOP AND BOLLARD LOCATIONS ARE SUPPLIED AS A REFERENCE ONLY. ALL FINAL MATERIALS AND LOCATIONS ARE SUPPLIED AND INSTALLED BY OTHERS UNLESS OTHERWISE SPECIFIED AT TIME OF ORDER.
- GATE TRAVEL DIRECTION MUST BE SPECIFIED AT TIME OF ORDER FOR CORRECT PLACEMENT OF CONDUIT AND GATE OPERATOR.
- SEE SHEET 3 FOR GENERIC FOUNDATION SIZING, INSTALLATION AND LEVELING NOTES.

Product must be installed in accordance with ASTM: F-2200 & UL325


WALLACE
 PERIMETER SECURITY
 115 Lawson Crescent
 Winnipeg, Manitoba, Canada, R3P 1A6
 Phone: 1-866-300-1110
 Fax: 1-204-284-1868
 Web: www.wallaceperimetersecurity.com

Description: DELTA CANTILEVER SLIDE GATE GENERIC SITE LAYOUT / CONDUIT REQUIREMENTS		
Customer:		
Finish:	Date:	11/25/2022
Drawing No. DELTA-09-26-22	Rev. A	Sheet: 2 of 6

FIGURE 3-1

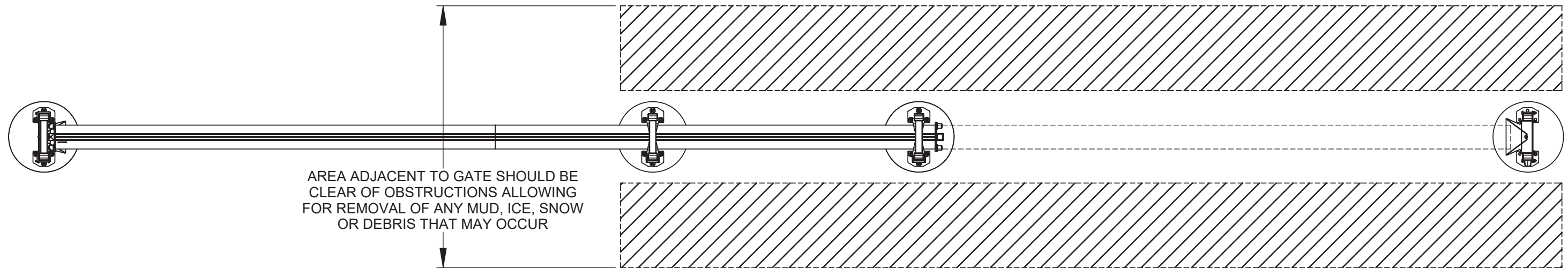


FIGURE 3-2

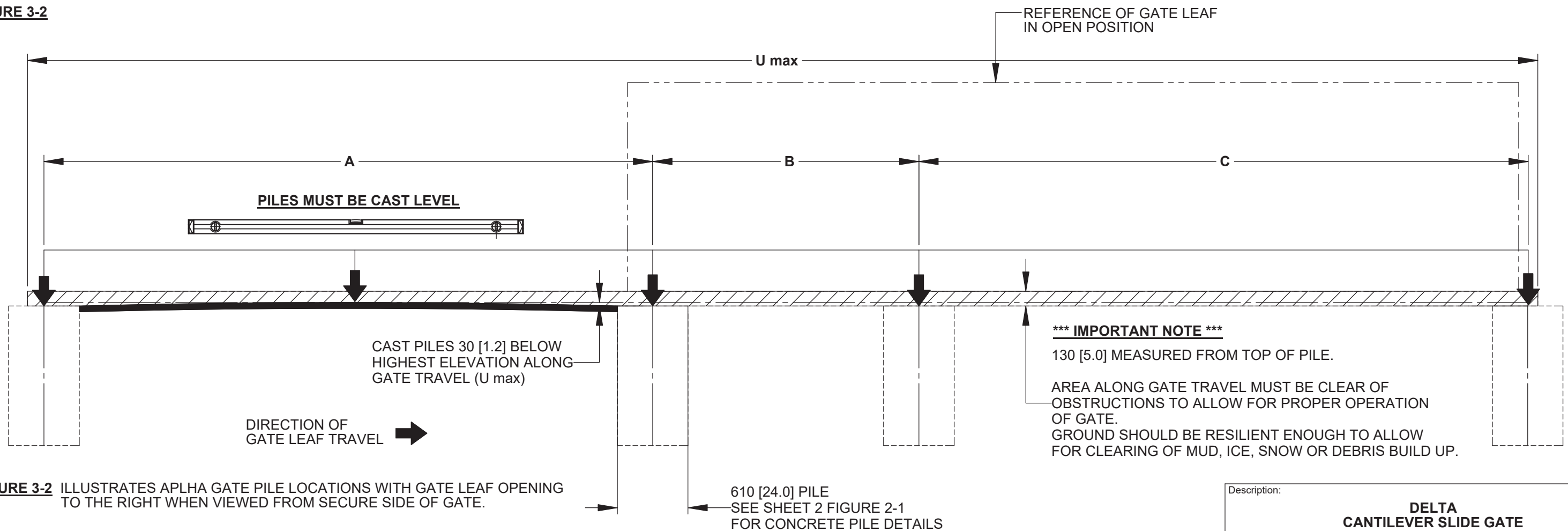
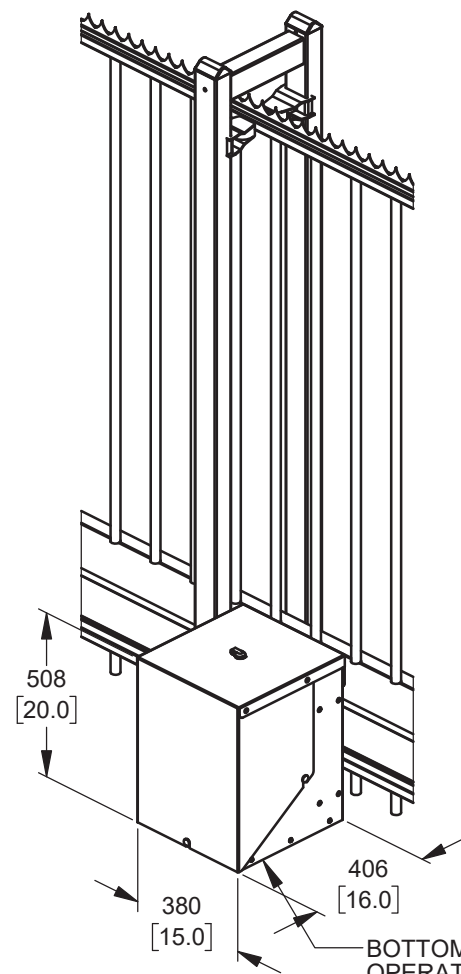


FIGURE 3-2 ILLUSTRATES ALPHA GATE PILE LOCATIONS WITH GATE LEAF OPENING TO THE RIGHT WHEN VIEWED FROM SECURE SIDE OF GATE.

Description:		
DELTA CANTILEVER SLIDE GATE FOUNDATION INSTALLATION NOTES		
Customer:		
Finish:	Date:	
	11/26/2022	
Drawing No.	Rev.	Sheet:
DELTA-09-26-22	A	3 of 6

WALLACE
PERIMETER SECURITY

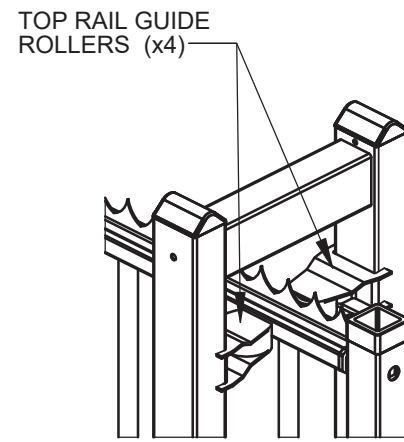
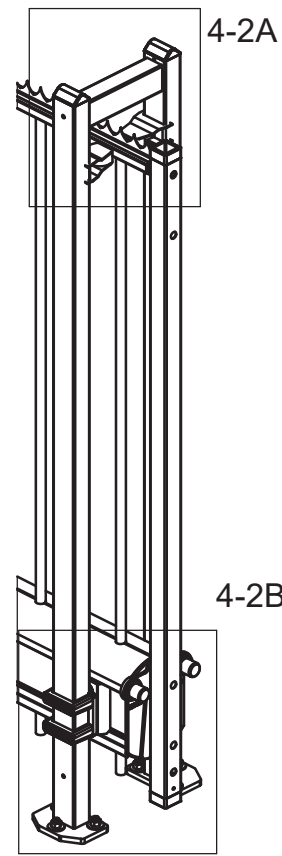
115 Lowson Crescent
Winnipeg, Manitoba, Canada, R3P 1A6
Phone: 1-866-300-1110
Fax: 1-204-284-1868
Web: www.wallaceperimetersecurity.com



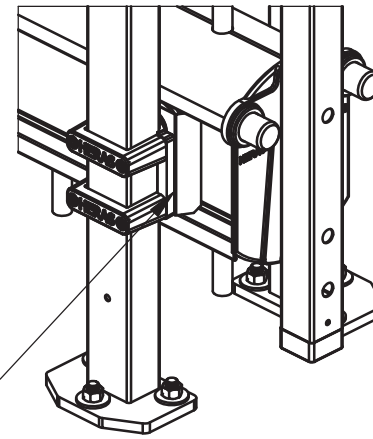
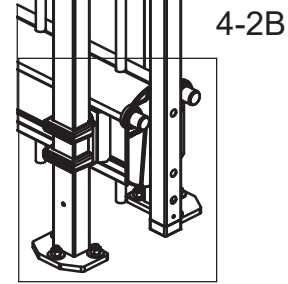
BOTTOM OF KINETIC GATE OPERATOR IS 81 [3] FROM GRADE

NOTE:
KINETIC GATE OPERATOR IS LOCATED ON THE SECURE SIDE OF GATE. GATE TRAVEL DIRECTION MUST BE SPECIFIED AT TIME OF ORDER TO DETERMINE CORRECT CONTROLLER LOCATION. REFER TO SHEET 2 FOR MORE INFORMATION.

DETAIL 4-1 - GATE CONTROLLER



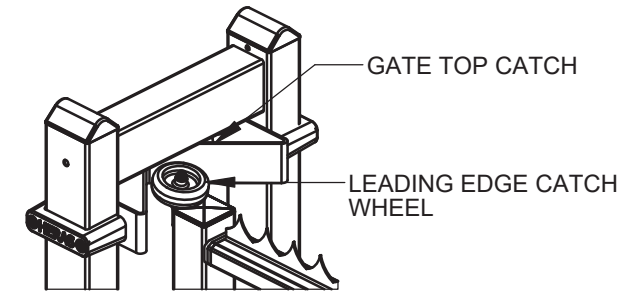
DETAIL 4-2A - TOP RAIL GUIDE ROLLER



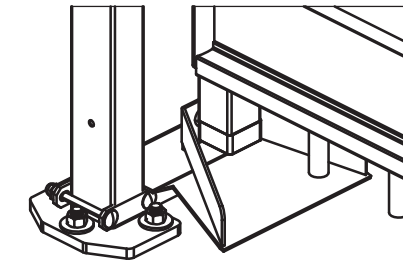
DETAIL 4-2B - MAIN BEAM ROLLER SET

MAIN BEAM ROLLER SET (X2)

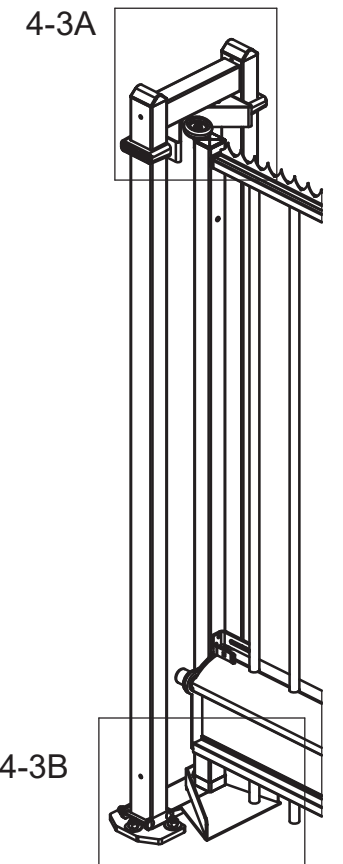
DETAIL 4-2 - ROLLERS



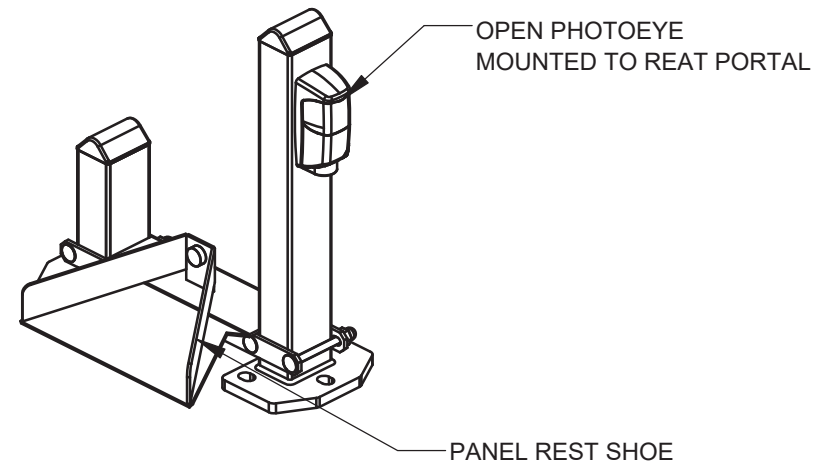
DETAIL 4-3A - LEADING EDGE CATCH WHEEL



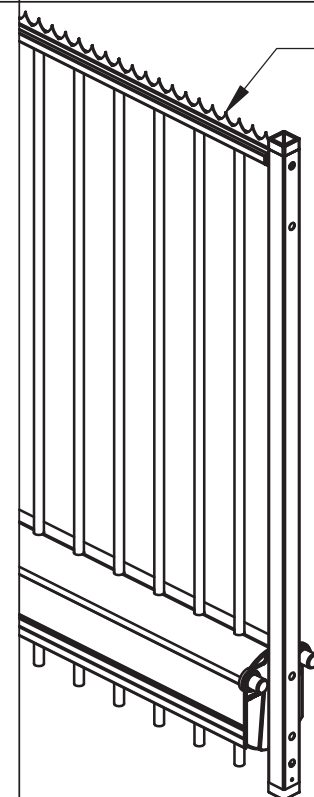
DETAIL 4-3B - BOTTOM PANEL CATCH / REST



DETAIL 4-3 - PANEL CATCH PORTAL

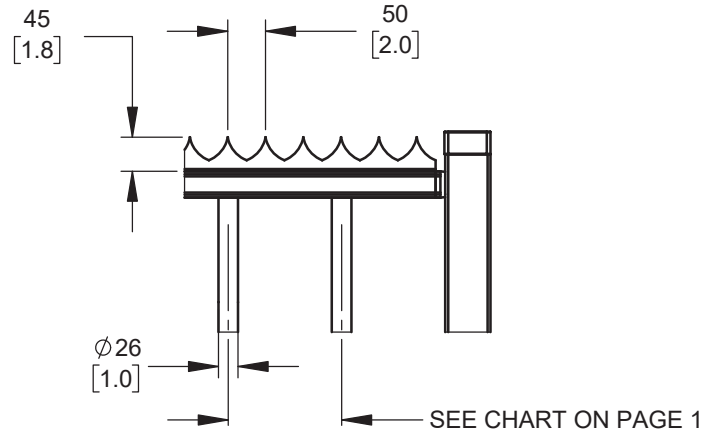


DETAIL 4-4 - PANEL REST PORTAL



DETAIL 4-4 - PANEL PICKETS \ DETAILS

SERRATED ANTI-CLIMB EDGE



NOTES:

GATE FINISH:

- HOT DIPPED GALVANIZED FINISH ON ALL STEEL COMPONENTS
- ALUMINUM GATE BEAMS - CLEAR ANODIZED FINISH

OPTIONAL FINISH:

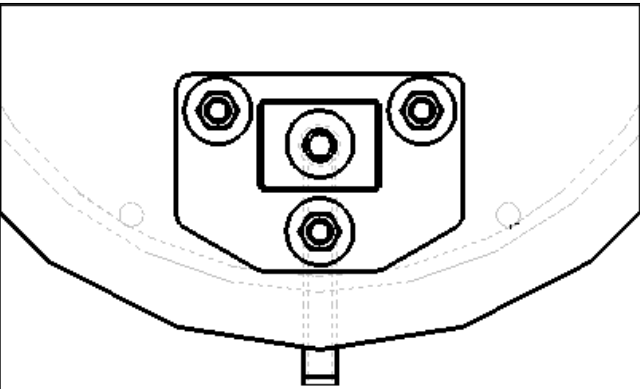
- POWDER COAT FINISH AVAILABLE - RAL COLOR NUMBER MUST BE PROVIDED AT TIME OF ORDER

GATE MUST BE INSTALLED IN ACCORDANCE WITH ASTM F-2200 & UL325

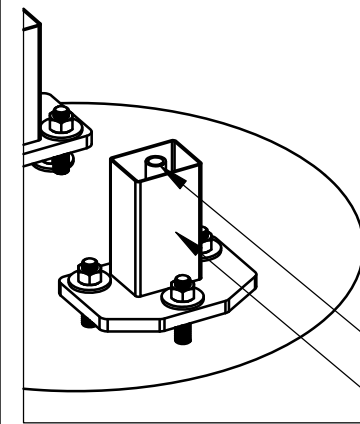
Description:		DELTA CANTILEVER GATE SYSTEM DETAILS & NOTES	
Customer:			
Finish:		Date:	11/26/2022
Drawing No.	DELTA-09-26-22	Rev.	A
		Sheet:	4 of 6



115 Lowson Crescent
Winnipeg, Manitoba, Canada, R3P 1A6
Phone: 1-866-300-1110
Fax: 1-204-284-1868
Web: www.wallaceperimetersecurity.com

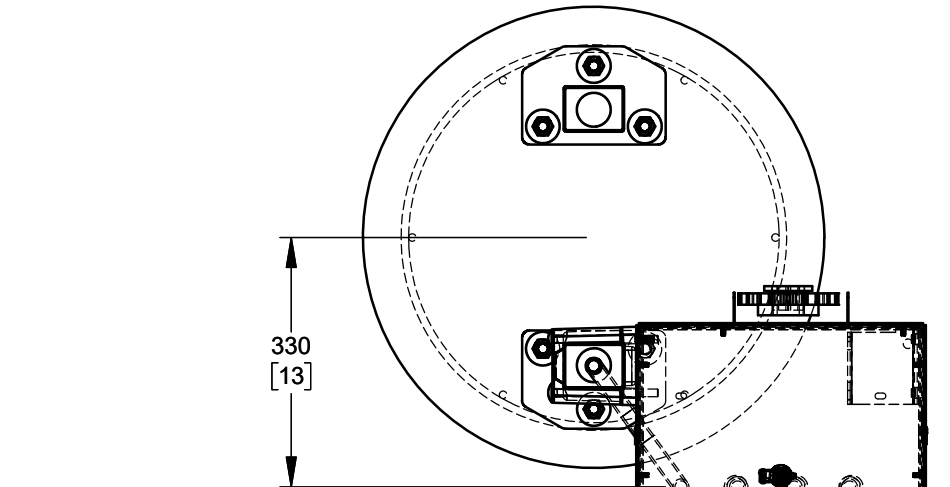
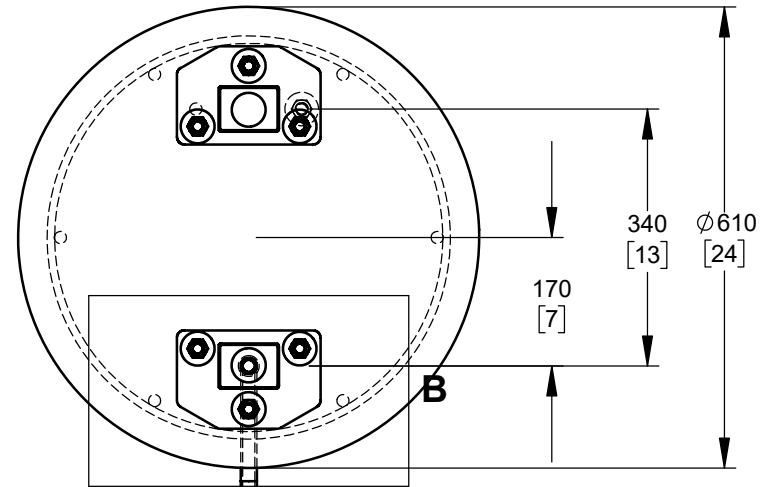


DETAIL B
USE TEMPLATE SUPPLIED WITH DELTA GATE TO ENSURE PROPER PLACEMENT OF CONDUIT IN PILE



DETAIL C
CATCH PORTAL PHOTOEYE CONDUIT INSTALLED ON SECURE SIDE OF GATE PORTAL

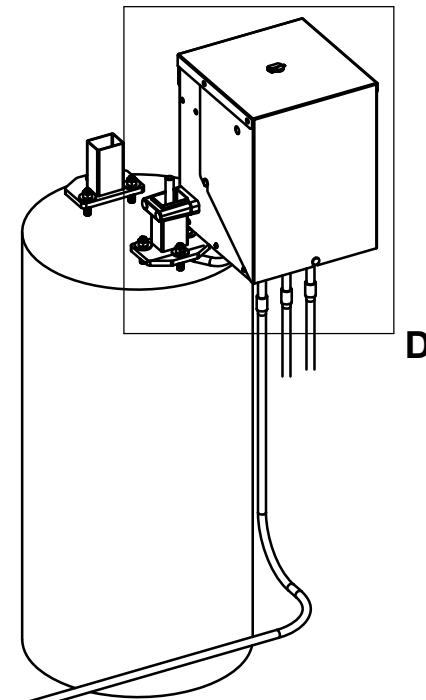
13 [1/2"] FLEX TYPE CONDUIT
CATCH PORTAL, SECURE SIDE OF GATE



13mm 1/2" FLEX TYPE PHOTOEYE CONDUIT
25mm 1" POWER CONDUIT
25mm 1" COMMUNICATION CONDUIT
25mm 1" SPARE CONDUIT

KINETIC GATE OPERATOR

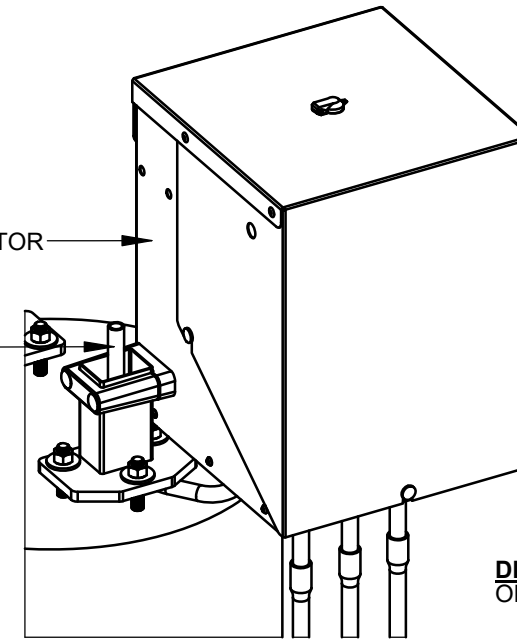
ALL CONDUIT BELOW GRADE TO BE RIGID TYPE PVC



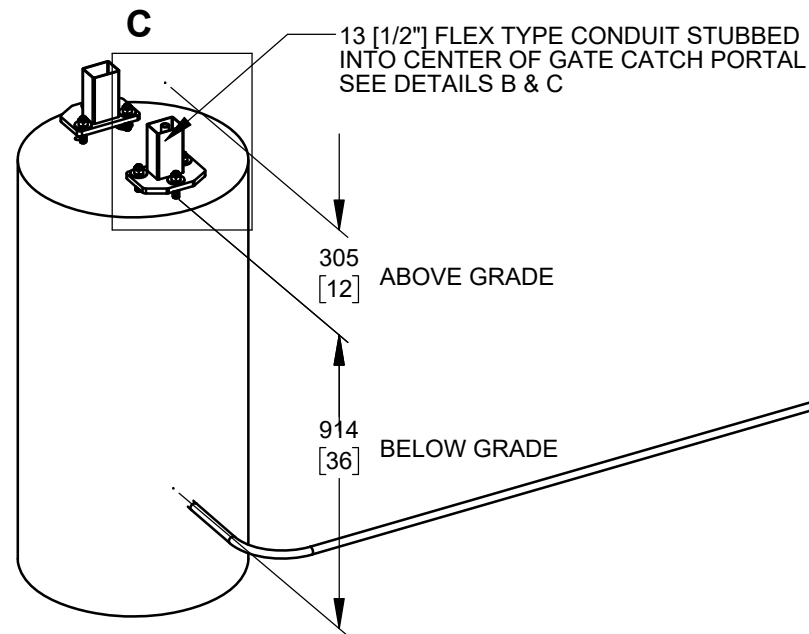
KINETIC GATE OPERATOR

13 [1/2"] FLEX TYPE CONDUIT FROM KINETIC GATE OPERATOR TO PHOTOEYE MOUNTED ON PORTAL - BY GATE INSTALLERS

GROUT FLEX CONDUIT IN PLACE WHEN INSTALLATION IS COMPLETE.



DETAIL D
OPERATOR / PORTAL PHOTOEYE CONDUIT



13 [1/2"] FLEX TYPE CONDUIT STUBBED INTO CENTER OF GATE CATCH PORTAL SEE DETAILS B & C

305 [12] ABOVE GRADE

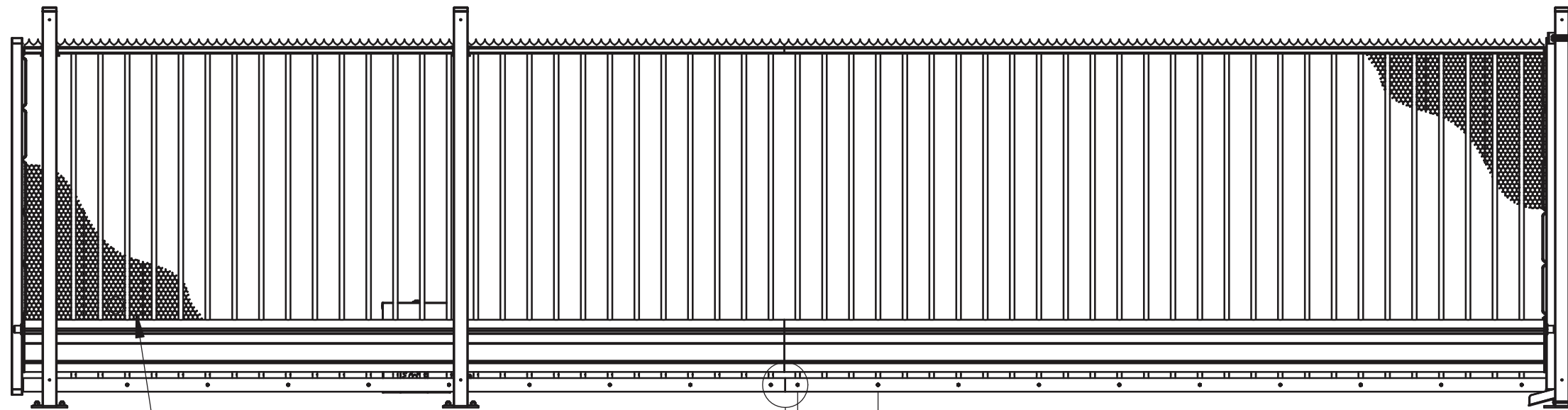
914 [36] BELOW GRADE

Product must be installed in accordance with ASTM: F-2200 & UL325



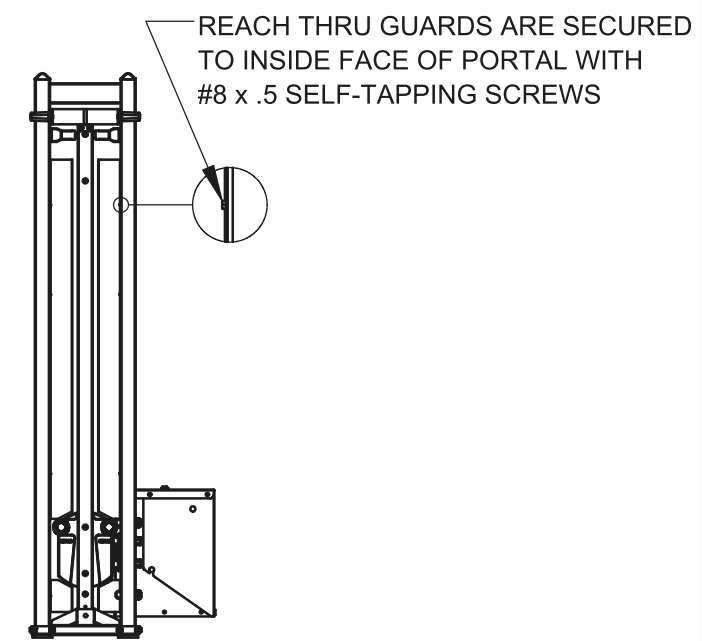
115 Lowson Crescent
Winnipeg, Manitoba, Canada, R3P 1A6
Phone: 1-866-300-1110
Fax: 1-204-284-1868
Web: www.wallaceperimetersecurity.com

Description:		
DELTA CANTILEVER SLIDE GATE CONDUIT		
Customer:		
Finish:	Date:	
	11/28/2022	
Drawing No.	Rev.	Sheet:
DELTA-09-26-22	A	5 of 6



20ga REVERSE TWIST PVC BLACK HEX NETTING SECURED TO PICKETS AND END MESH RETAINERS WITH 9ga FENCE TIES.

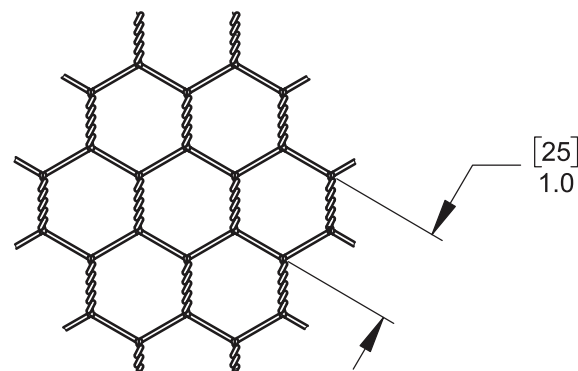
[450]
17.7



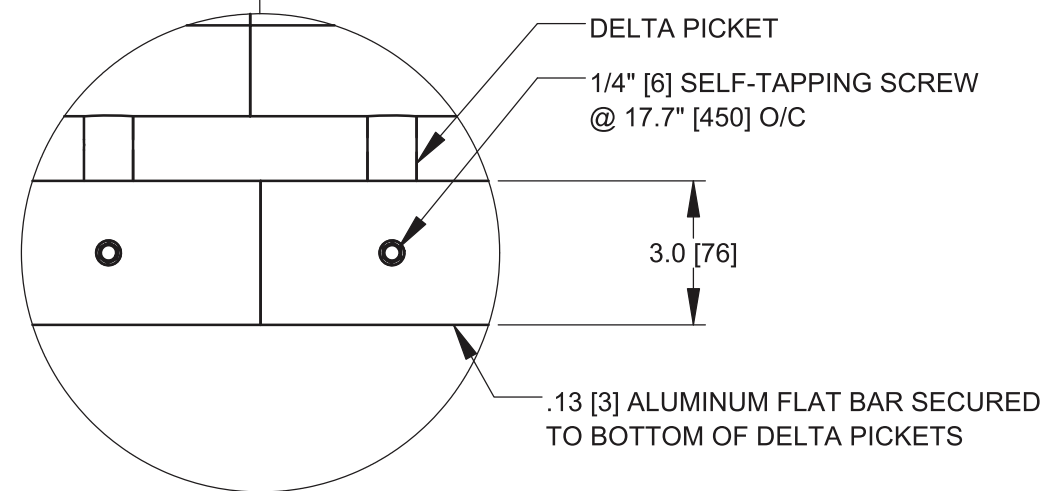
REACH THRU GUARDS ARE SECURED TO INSIDE FACE OF PORTAL WITH #8 x .5 SELF-TAPPING SCREWS

DETAIL C
PORTAL REACH THRU GUARDS

DETAIL A
20ga 1.0" [25] REVERSE TWIST HEX NETTING

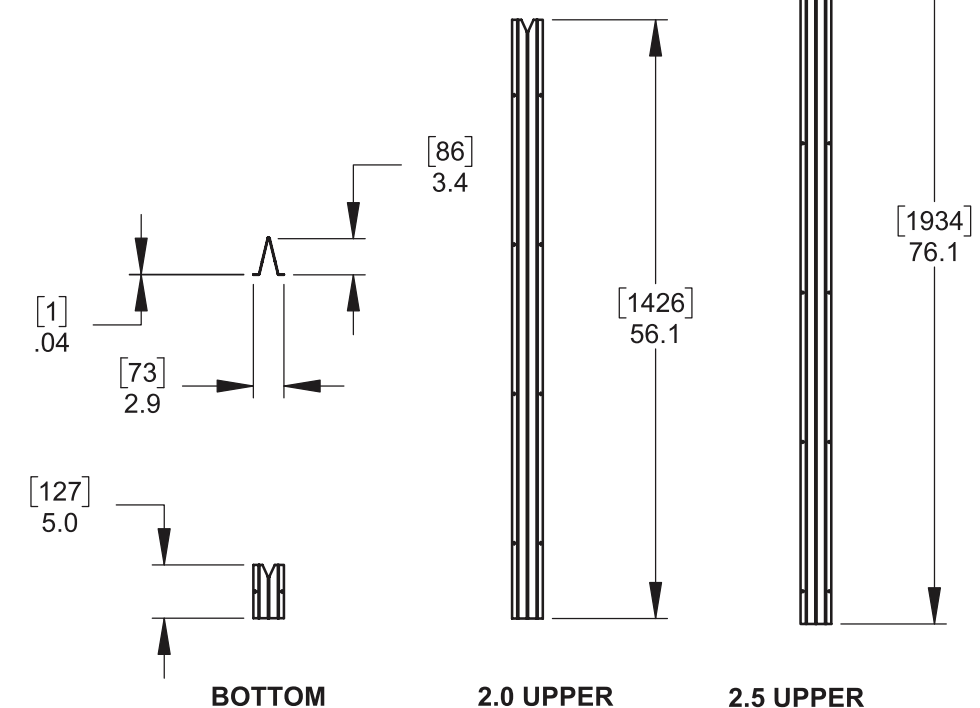


[25]
1.0



DELTA PICKET
1/4" [6] SELF-TAPPING SCREW @ 17.7" [450] O/C
3.0 [76]
.13 [3] ALUMINUM FLAT BAR SECURED TO BOTTOM OF DELTA PICKETS

DETAIL B
3.0 [76] x .13 [3] BOTTOM PICKET GUARD



[1]
.04

[73]
2.9

[127]
5.0

[86]
3.4

[1426]
56.1

[1934]
76.1

BOTTOM

2.0 UPPER

2.5 UPPER

Description:		
DELTA GATE UL325 KIT INSTALLATION DETAIL		
Customer:		
Finish:	Date: 11/25/2022	
Drawing No. DELTA-09-26-22	Rev. A	Sheet: 6 of 6


WALLACE
 PERIMETER SECURITY
 115 Lawson Crescent
 Winnipeg, Manitoba, Canada, R3P 1A6
 Phone: 1-866-300-1110
 Fax: 1-204-284-1868
 Web: www.wallaceperimetersecurity.com