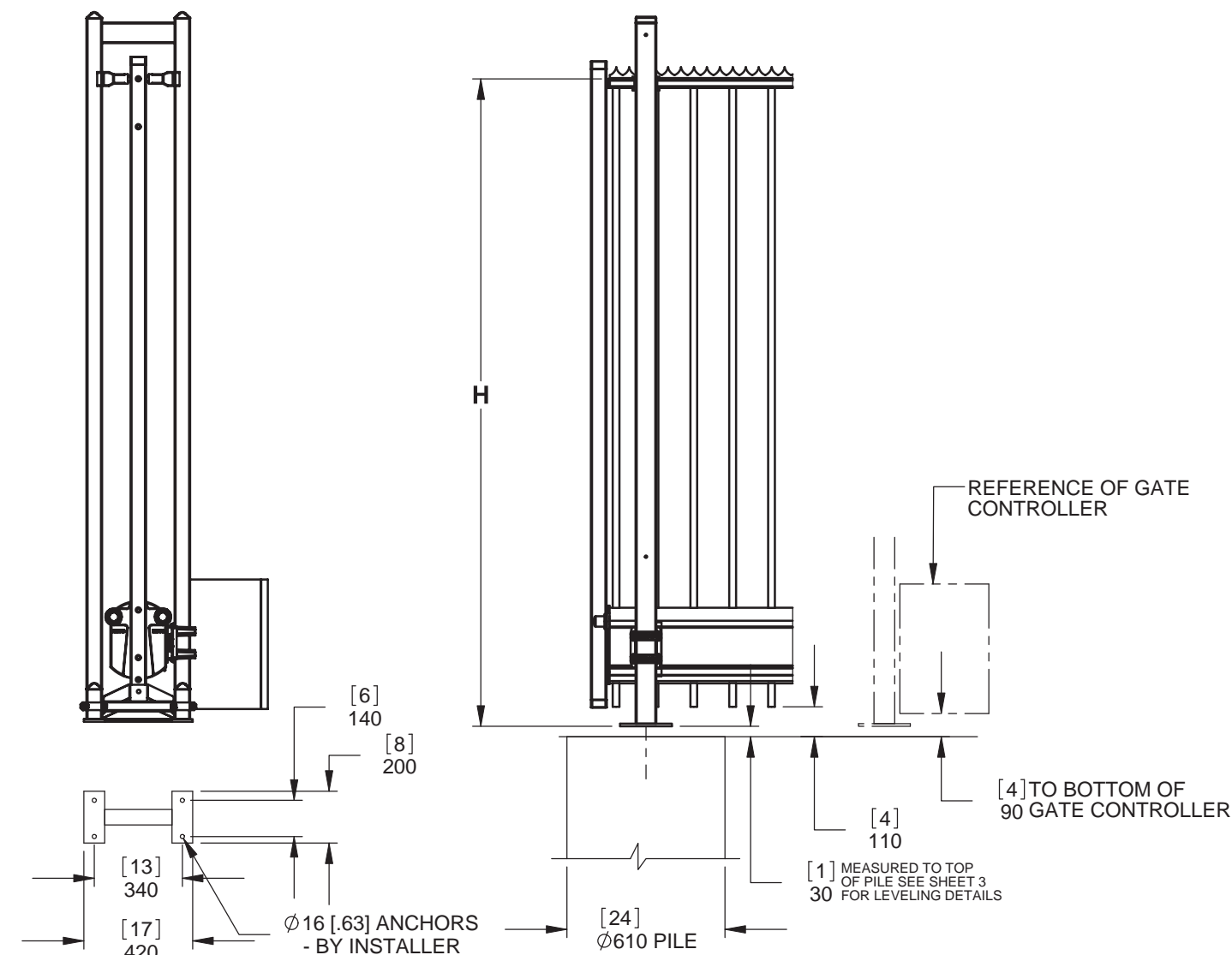


NOTE: DIMENSIONS ARE IN MILLIMETERS. DIMENSIONS SHOWN IN [] ARE IN INCHES

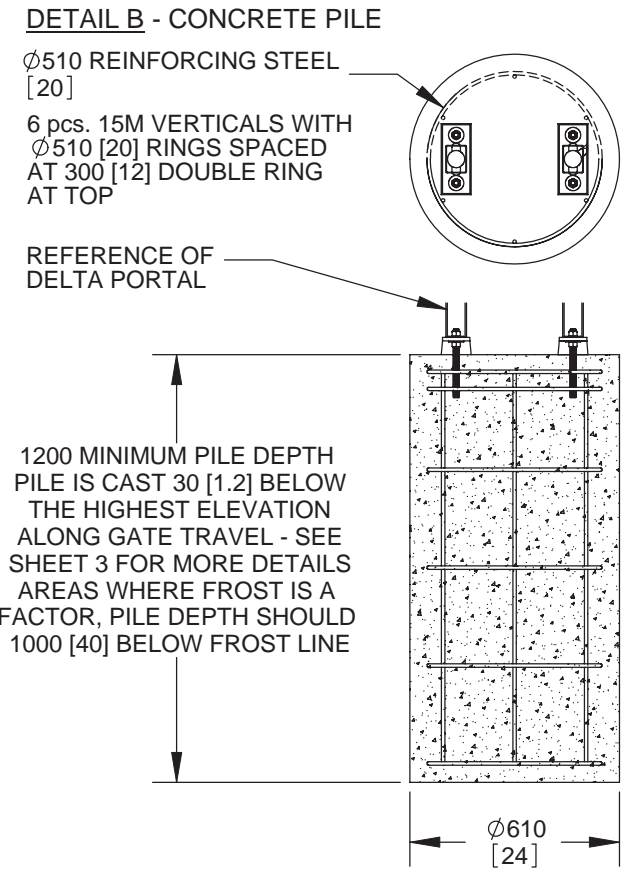
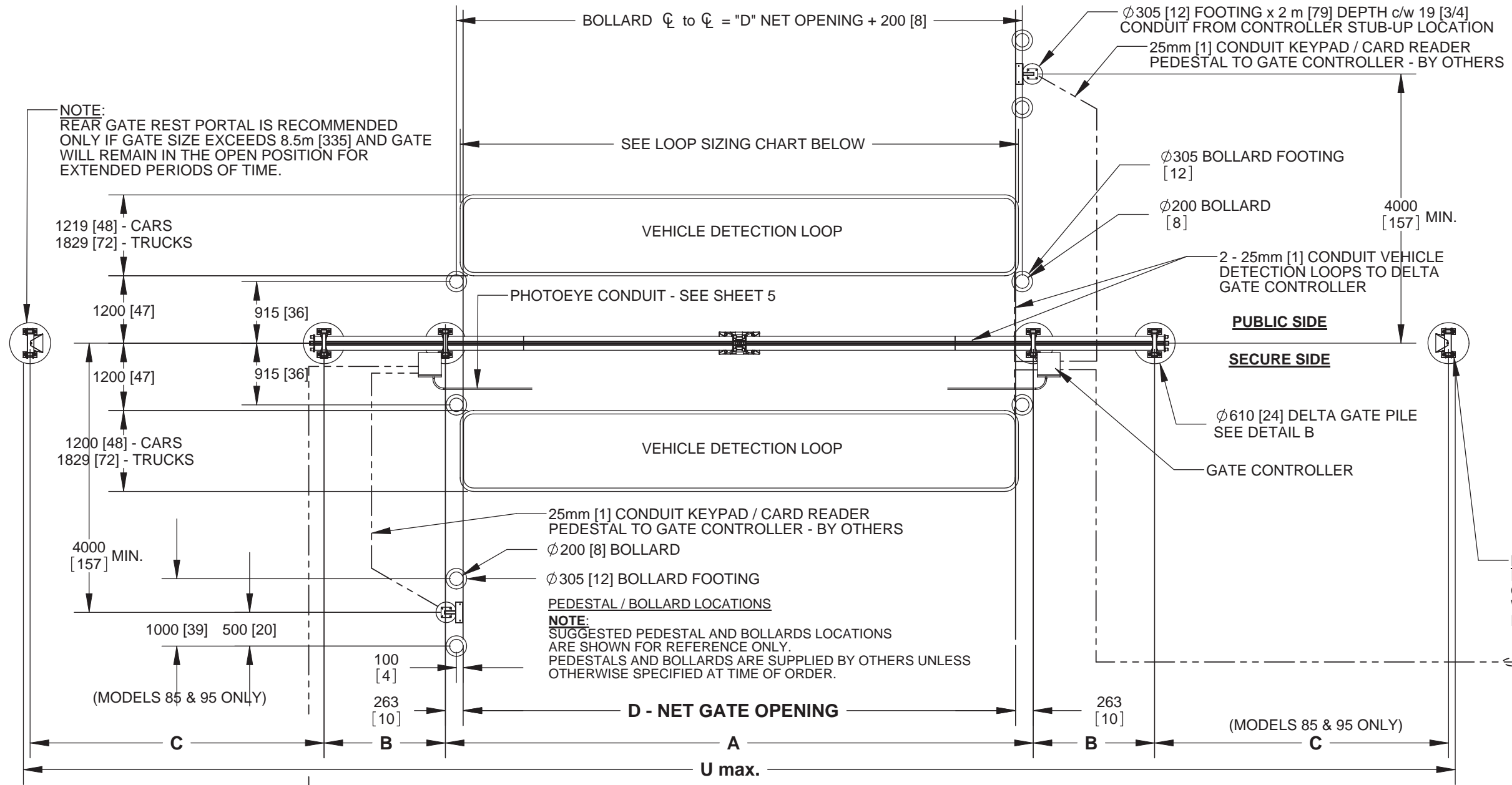
* MODELS 95 & 120 ARE AVAILABLE IN 2000mm [78.7"] HEIGHTS ONLY

Delta Model	H	A	B	C	D	U max.
30/30/150	1500 [59.1]	6620 [260.6]	1800 [70.1]		6094 [239.9]	17040 [670.9]
30/30/200	2000 [78.7]					
30/30/250	2500 [98.4]					
40/40/150	1500 [59.1]	8720 [343.3]	1800 [70.1]		8194 [322.6]	21240 [836.2]
40/40/200	2000 [78.7]					
40/40/250	2500 [98.4]					
50/50/150	1500 [59.1]	10520 [414.2]	2300 [90.6]		9994 [393.5]	25840 [1017.3]
50/50/200	2000 [78.7]					
50/50/250	2500 [98.4]					
60/60/150	1500 [59.1]	12320 [485.0]	2300 [90.6]		11794 [464.3]	29440 [1159.1]
60/60/200	2000 [78.7]					
60/60/250	2500 [98.4]					
70/70/150	1500 [59.1]	14920 [587.4]	2800 [110.2]		14394 [566.7]	35640 [1403.1]
70/70/200	2000 [78.7]					
70/70/250	2500 [98.4]					
85/85/150	1500 [59.1]	17320 [681.9]	2800 [110.2]	8660 [340.9]	16794 [661.2]	40440 [1592.1]
85/85/200	2000 [78.7]					
85/85/250	2500 [98.4]					
* 95/95/200	2000 [78.7]	19120 [752.8]	2800 [110.2]	9560 [376.4]	18594 [732.0]	44040 [1733.9]
* 120/120/200	2000 [78.7]	24978 [983.4]	3726 [146.7]	24978 [983.4]	24452 [962.7]	55756 [2195.1]



90 Lawson Crescent
 Winnipeg, Manitoba, Canada, R3P 2H8
 Phone: 1-866-300-1110
 Fax: 1-204-284-1868
 www.wallaceperimetersecurity.com

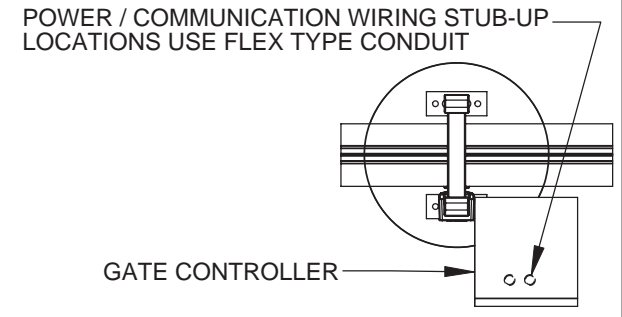
Description:		DOUBLE DELTA GATE	
		STANDARD DIMENSIONS	
Project / Customer Name:		-	
Finish:	-	Date:	
Drawing No.	DOUBLE DELTA-07-13-11	Rev.	
Sheet:	1	of	5



NOTE:
REAR GATE REST PORTAL IS RECOMMENDED ONLY IF GATE SIZE EXCEEDS 8.5m [335] AND GATE WILL REMAIN IN THE OPEN POSITION FOR EXTENDED PERIODS OF TIME.

25 [1] CONDUIT
208 / 240 VAC SINGLE PHASE - 15 AMP
DELTA GATE POWER SUPPLY

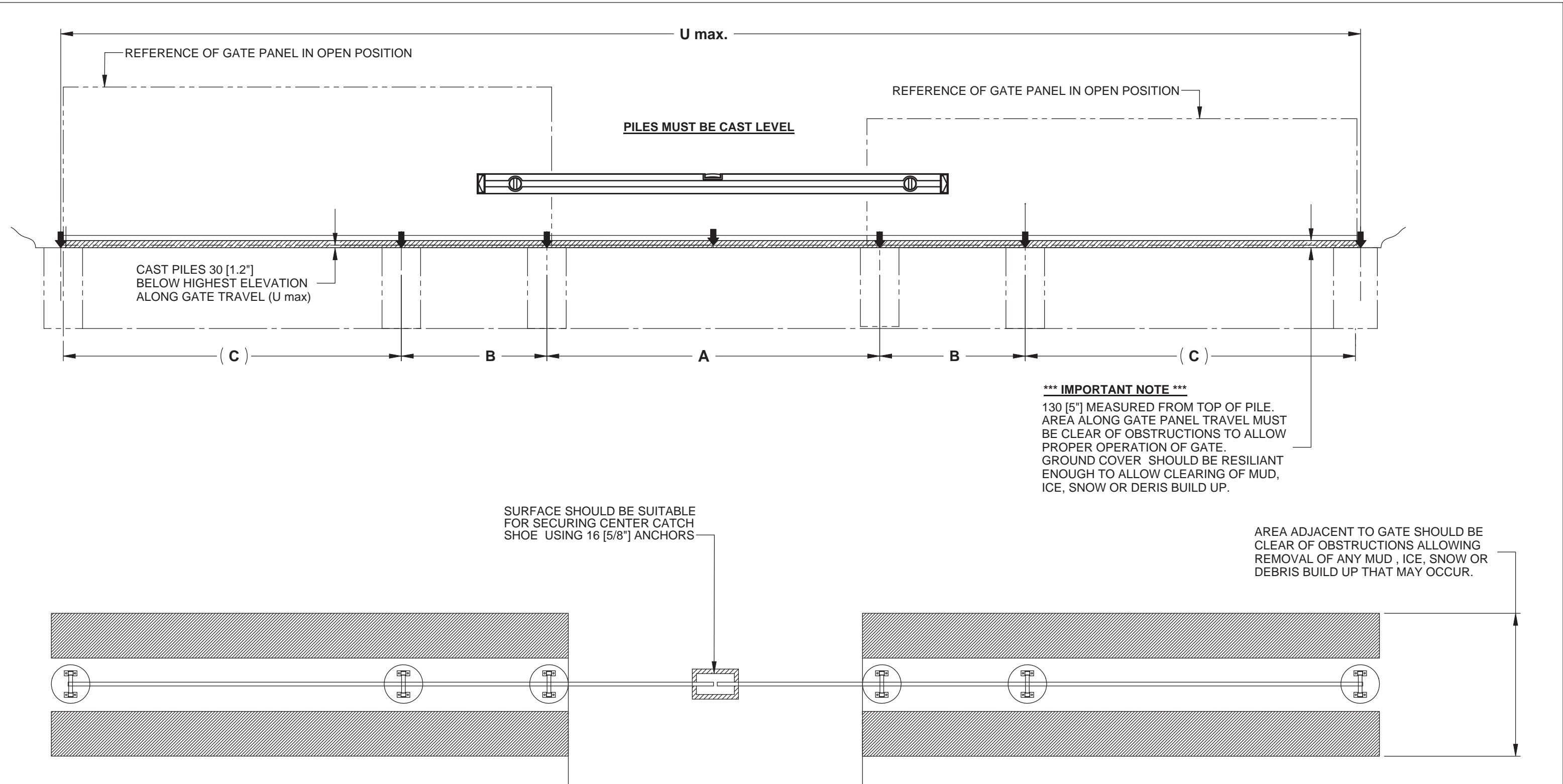
DETAIL D - CONTROLLER CONDUIT



Delta Model	D - NET OPENING [IN]	LW - LOOP WIDTH [IN]
30/30	6094 [240]	4572 [180]
40/40	8194 [323]	6096 [240]
50/50	9994 [394]	3048 [120] (x2)
60/60	11794 [464]	4267 [168] (x2)
70/70	14394 [567]	4876 [192] (x2)
85/85	16794 [661]	6096 [240] (x2)
95/95	18594 [732]	6096 [240] (x2)
120/120	24452 [962.7]	9144 [360] (x2)

90 Lowson Crescent
Winnipeg, Manitoba, Canada, R3P 2H8
Phone: 1-866-300-1110
Fax: 1-204-284-1868
www.wallaceperimetersecurity.com

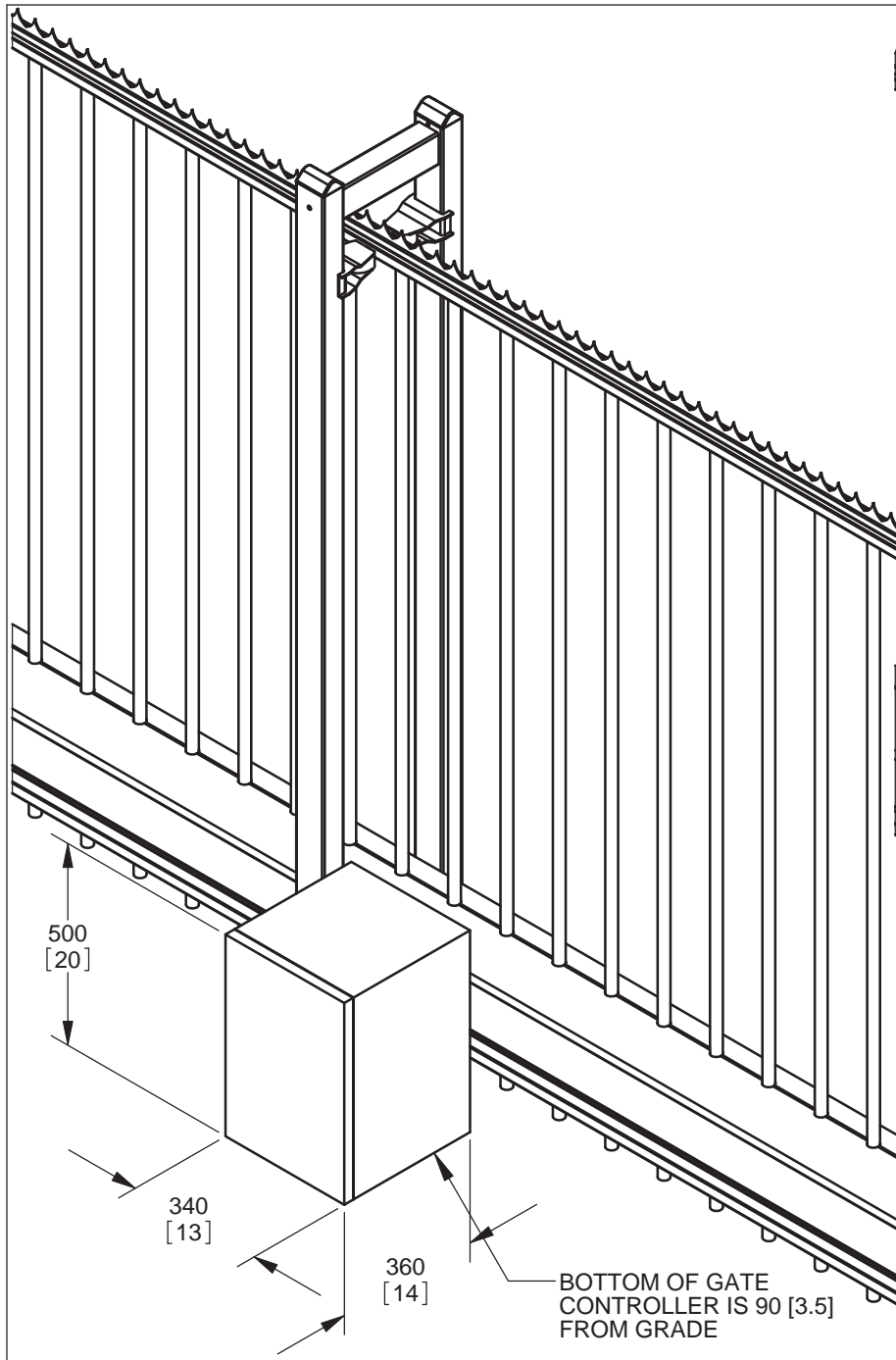
Description:		DOUBLE DELTA GATE	
		STANDARD DIMENSIONS	
Project / Customer Name:			
-			
Finish:		Date:	
Drawing No.		Rev.	Sheet:
DOUBLE DELTA-07-13-11			2 of 5



Description:		DOUBLE DELTA GATE	
		STANDARD DIMENSIONS	
Project / Customer Name:		-	
Finish:	-	Date:	
Drawing No.	DOUBLE DELTA-07-13-11	Rev.	
		Sheet:	3 of 5



90 Lawson Crescent
Winnipeg, Manitoba, Canada, R3P 2H8
Phone: 1-866-300-1110
Fax: 1-204-284-1868
www.wallaceperimetersecurity.com

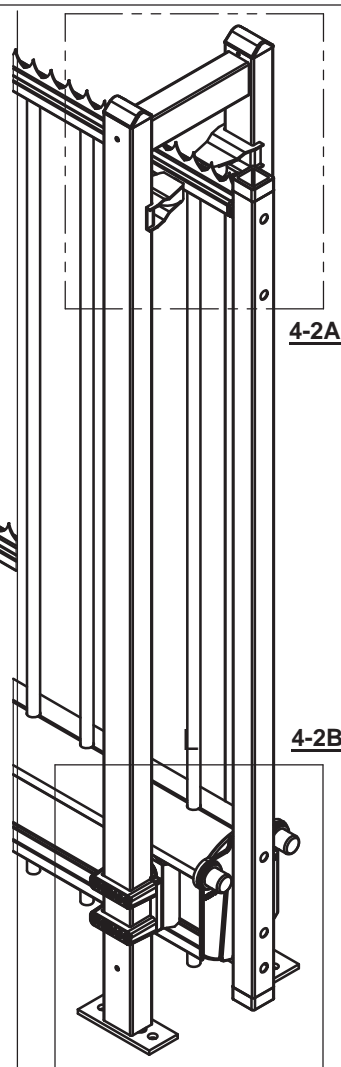
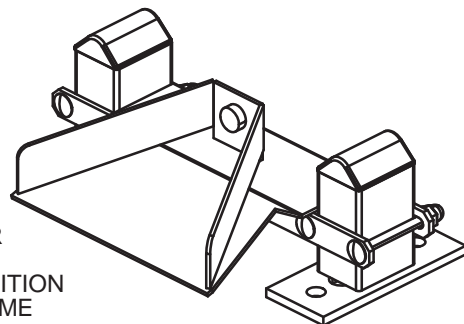


NOTE:
GATE CONTROLLER IS LOCATED ON THE SECURE SIDE OF GATE.
INCOMING POWER REQUIREMENTS, 240 VAC SINGLE PHASE, 15A

DETAIL 4-1 - GATE CONTROLLER DIMENSIONS

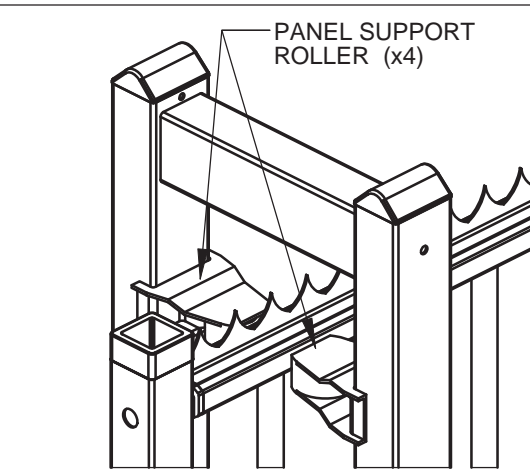
DETAIL 4-4 - OPTIONAL REAR REST SHOE

NOTE:
REAR GATE REST SHOE IS RECOMMENDED ONLY IF GATE SIZE IS EQUAL TO OR GREATER THAN 8.5M [335] AND THE GATE WILL REMAIN IN THE OPEN POSITION FOR EXTENDED PERIODS OF TIME

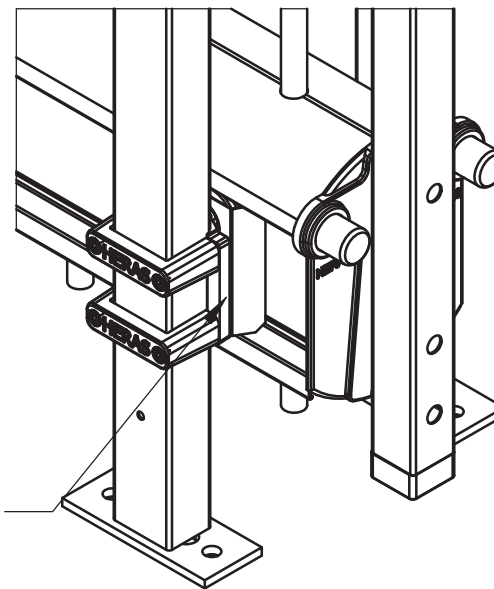


DETAIL 4-2 - PANEL ROLLERS

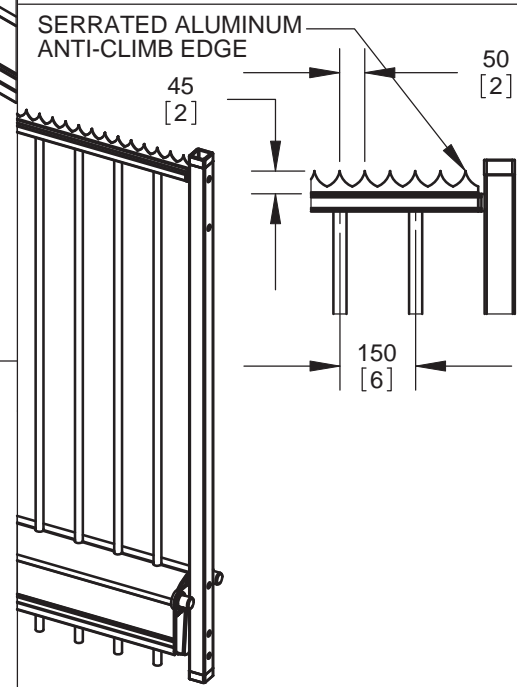
MAIN BEAM ROLLER SET (X2)



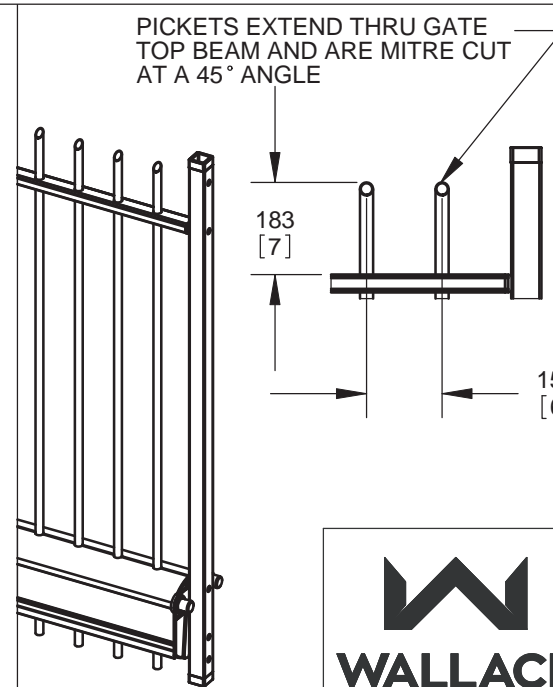
DETAIL 4-2A - UPPER PANEL SUPPORT ROLLER



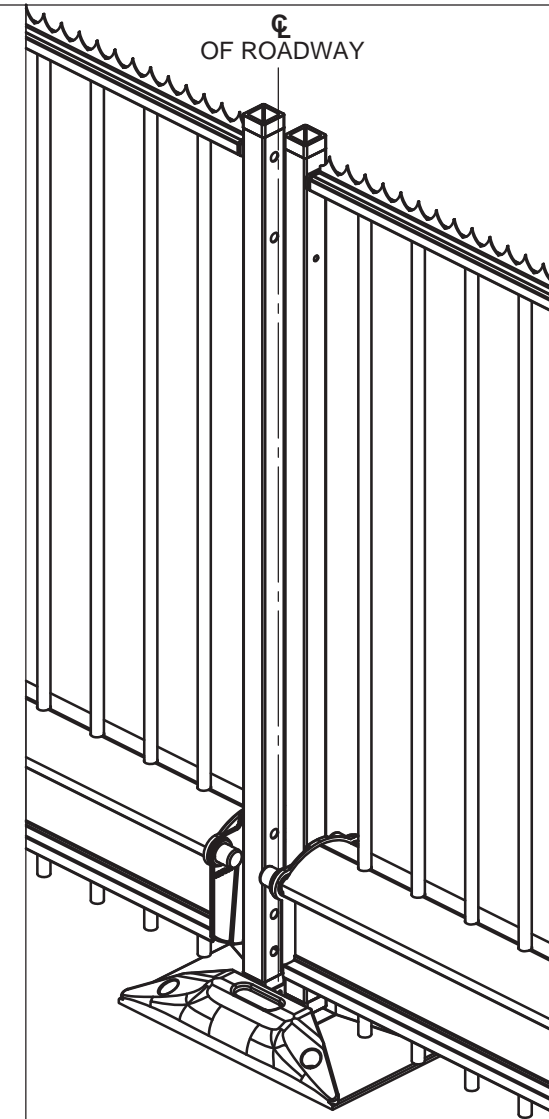
DETAIL 4-2B - MAIN BEAM ROLLER SET



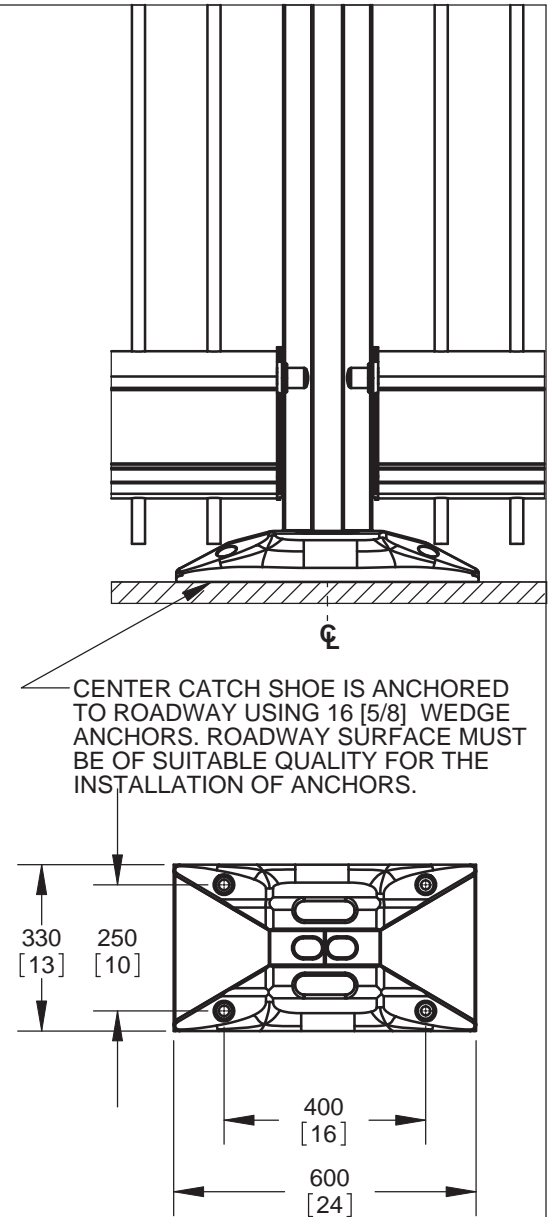
DETAIL 4-5A - HERECLAS



DETAIL 4-5B - ATLAS



DETAIL 4-3 - CENTER CATCH SHOE DETAILS



NOTES:

GATE FINISH:

- HOT DIPPED GALVANIZED FINISH FOR ALL STEEL COMPONENTS
- ALUMINUM GATE BEAMS - CLEAR ANODIZED FINISH

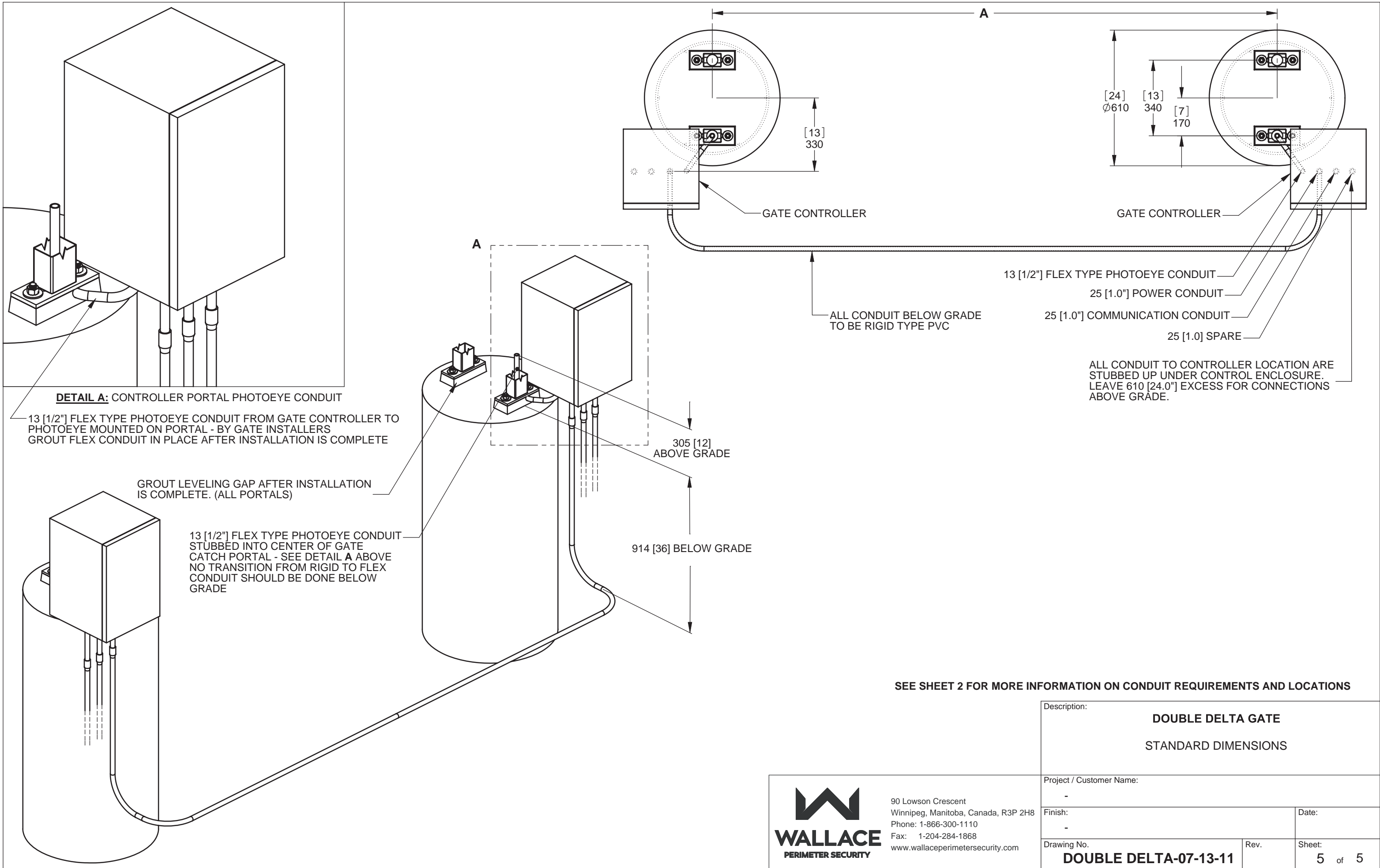
OPTIONAL:

POWDER COAT PAINT FINISH AVAILABLE - RAL COLOR NUMBER MUST BE SUPPLIED AT TIME OF ORDER.

Description:		DOUBLE DELTA GATE	
		STANDARD DIMENSIONS	
Project / Customer Name:		-	
Finish:	-	Date:	
Drawing No.	DOUBLE DELTA-07-13-11	Rev.	
		Sheet:	4 of 5



90 Lawson Crescent
Winnipeg, Manitoba, Canada, R3P 2H8
Phone: 1-866-300-1110
Fax: 1-204-284-1868
www.wallaceperimetersecurity.com



DETAIL A: CONTROLLER PORTAL PHOTOEYE CONDUIT

13 [1/2"] FLEX TYPE PHOTOEYE CONDUIT FROM GATE CONTROLLER TO PHOTOEYE MOUNTED ON PORTAL - BY GATE INSTALLERS GROUT FLEX CONDUIT IN PLACE AFTER INSTALLATION IS COMPLETE

GROUT LEVELING GAP AFTER INSTALLATION IS COMPLETE. (ALL PORTALS)

13 [1/2"] FLEX TYPE PHOTOEYE CONDUIT STUBBED INTO CENTER OF GATE CATCH PORTAL - SEE DETAIL A ABOVE NO TRANSITION FROM RIGID TO FLEX CONDUIT SHOULD BE DONE BELOW GRADE

SEE SHEET 2 FOR MORE INFORMATION ON CONDUIT REQUIREMENTS AND LOCATIONS

Description:		DOUBLE DELTA GATE STANDARD DIMENSIONS	
Project / Customer Name:		-	
Finish:	-	Date:	
Drawing No.	DOUBLE DELTA-07-13-11	Rev.	Sheet: 5 of 5



90 Lowson Crescent
Winnipeg, Manitoba, Canada, R3P 2H8
Phone: 1-866-300-1110
Fax: 1-204-284-1868
www.wallaceperimetersecurity.com