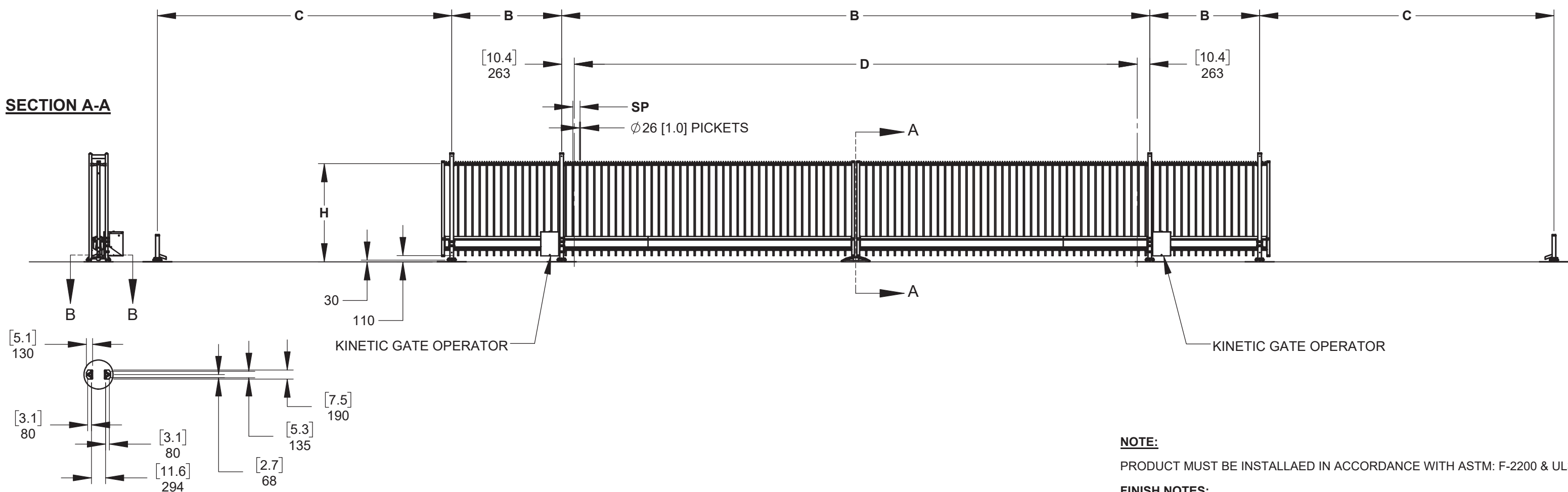




[24.0]  
Ø610

**SECTION A-A**



DIMENSIONS ARE SHOWN IN MILLIMETERS. DIMENSIONS SHOWN IN [ ] ARE IN INCHES

**NOTE:**  
PRODUCT MUST BE INSTALLED IN ACCORDANCE WITH ASTM: F-2200 & UL325

**FINISH NOTES:**  
STANDARD FINISH:  
HOT DIPPED GALVANIZED FINISH ON ALL STEEL COMPONENTS  
MILL FINISH ALL ALUMINUM COMPONENTS  
OPTIONAL POWDER COAT FINISH, RAL # TO BE SPECIFIED

Delta Model	H	A	B	C	D	U max	SP
50/50/200	2000 [78.7]	10520 [414.2]	2300 [90.6]	5260 [207.1]	9994 [393.5]	25840 [1017.3]	141 [5.55]
50/50/250	2500 [98.4]						
60/60/200	2000 [78.7]	12320 [485.0]	2300 [90.6]	6160 [242.5]	11784 [464.3]	29440 [1159.1]	141 [5.55]
60/60/250	2500 [98.4]						
70/70/200	2000 [78.7]	14920 [587.4]	2800 [110.2]	7460 [293.7]	14394 [566.7]	35640 [1403.1]	143 [5.63]
70/70/250	2500 [98.4]						
85/85/200	2000 [78.7]	17320 [681.9]	2800 [110.2]	8660 [340.9]	16794 [661.2]	40440 [1592.1]	143 [5.63]
85/85/250	2500 [98.4]						
95/95/200	2000 [78.7]	19120 [752.8]	2800 [110.2]	9560 [376.4]	18594 [732.0]	44040 [1733.9]	141 [5.55]

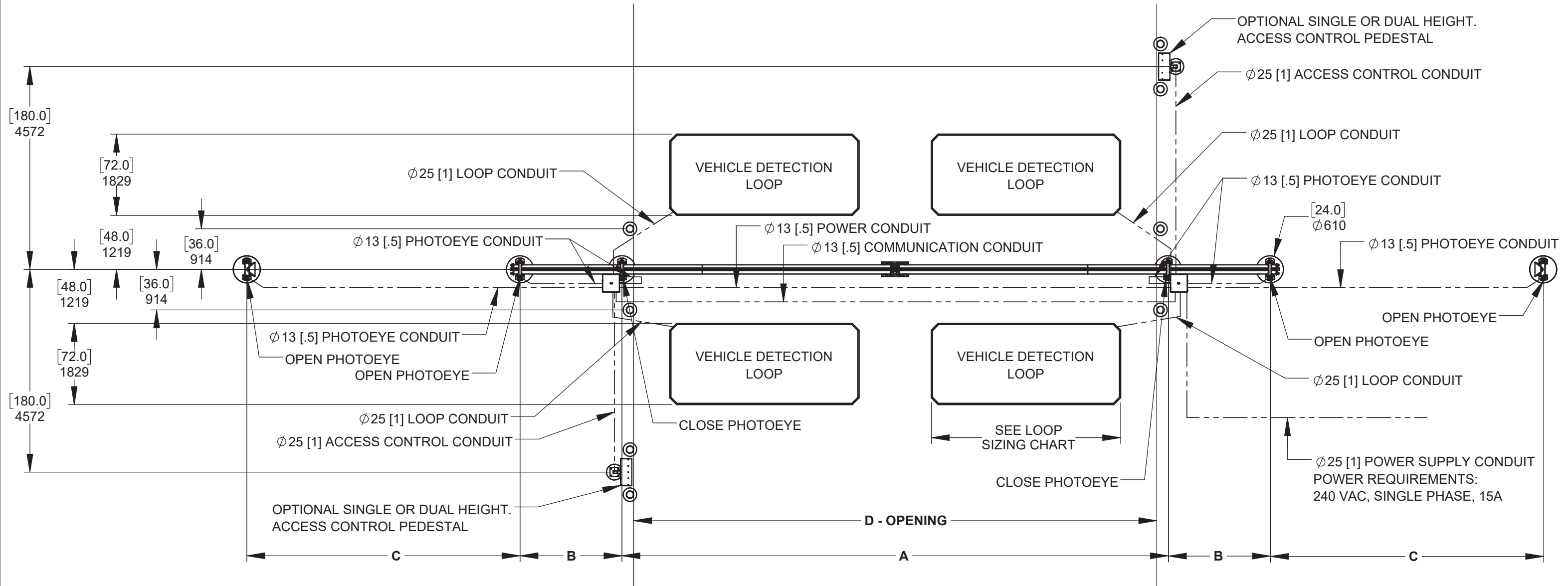
115 Lawson Crescent  
Winnipeg, Manitoba, Canada, R3P 1A6  
Phone: 1-866-300-1110  
Fax: 1-204-284-1868  
Web: www.wallaceperimetersecurity.com

Description:		<b>DOUBLE DELTA CANTILEVER SLIDE GATE</b>	
Customer:			
Finish:		Date:	
SEE FINISH NOTES		11/27/2022	
Drawing No.		Rev.	Sheet:
<b>DOUBLE_DELTA-09-26-22</b>		<b>A</b>	1 of 6

**NOTES:**

- OPTIONAL ACCESS CONTROL HARDWARE, VEHICLE DETECTION LOOP AND BOLLARD LOCATIONS ARE SUPPLIED AS A REFERENCE ONLY. ALL FINAL MATERIALS AND LOCATIONS ARE SUPPLIED AND INSTALLED BY OTHERS UNLESS OTHERWISE SPECIFIED AT TIME OF ORDER.
- GATE TRAVEL DIRECTION MUST BE SPECIFIED AT TIME OF ORDER FOR CORRECT PLACEMENT OF CONDUIT AND GATE OPERATORS.
- SEE SHEET 3 FOR GENERIC FOUNDATION SIZING, INSTALLATION AND LEVELING NOTES.

Delta Model	D - Opening	Loop Width
50/50	9994 [393.5]	3048 [120] x2
60/60	11794 [464.3]	4267 [168] x2
70/70	14394 [566.7]	4876 [192] X2
85/85	16794 [661.2]	6096 [240] x2
95/95	18594 [732.0]	6096 [240] x2



Product must be installed in accordance with ASTM: F-2200 & UL325

Description:  
**DOUBLE DELTA  
 CANTILEVER SLIDE GATE**  
 GENERIC SITE LAYOUT / CONDUIT REQUIREMENTS

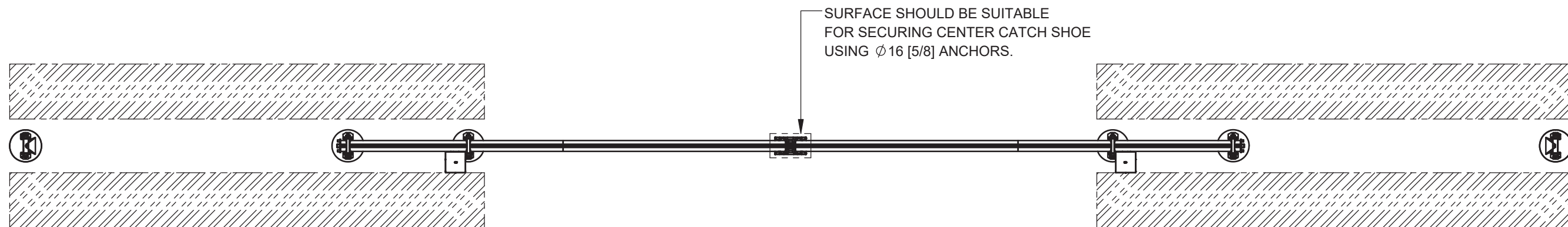
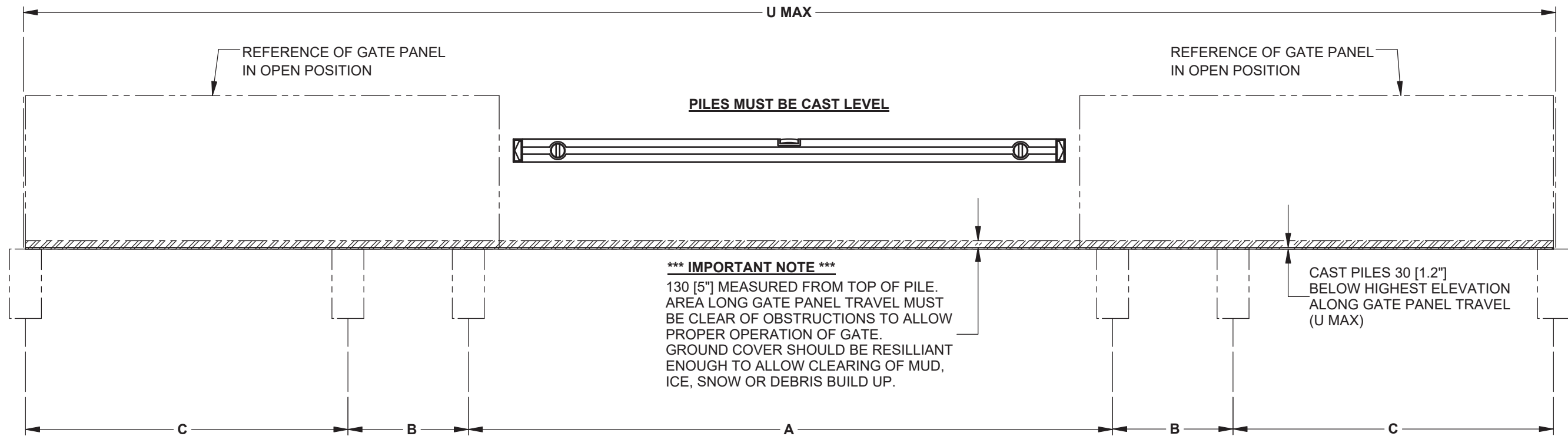
Customer:

Finish: SEE FINISH NOTES  
 Date: 11/27/2022

Drawing No. **DOUBLE\_DELTA-09-26-22** Rev. **A** Sheet: 2 of 6

**WALLACE**  
 PERIMETER SECURITY

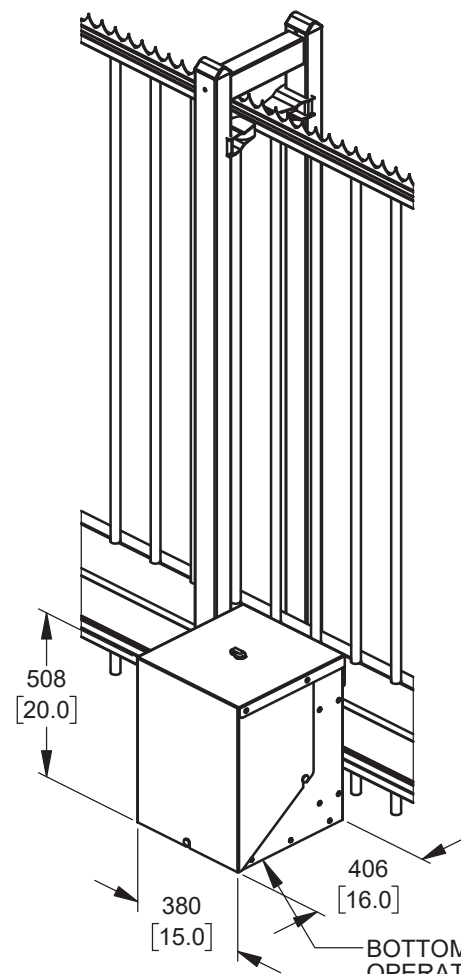
115 Lawson Crescent  
 Winnipeg, Manitoba, Canada, R3P 1A6  
 Phone: 1-866-300-1110  
 Fax: 1-204-284-1868  
 Web: www.wallaceperimetersecurity.com



Description:		
<b>DOUBLE DELTA CANTILEVER SLIDE GATE FOUNDATION INSTALLATION NOTES</b>		
Customer:		
Finish:	Date:	
	11/27/2022	
Drawing No.	Rev.	Sheet:
<b>DOUBLE-DELTA-09-26-22</b>	<b>A</b>	<b>3 of 6</b>

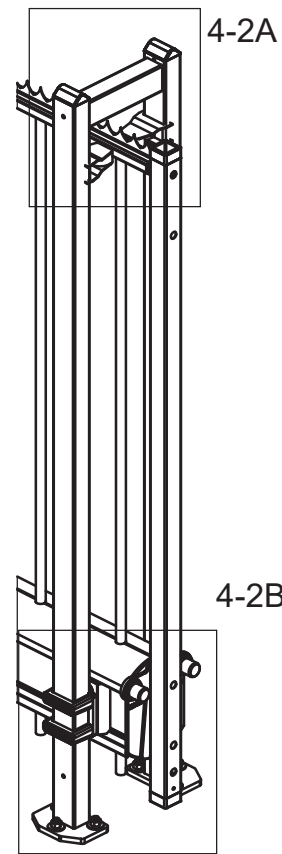

**WALLACE**  
 PERIMETER SECURITY

115 Lawson Crescent  
 Winnipeg, Manitoba, Canada, R3P 1A6  
 Phone: 1-866-300-1110  
 Fax: 1-204-284-1868  
 Web: www.wallaceperimetersecurity.com



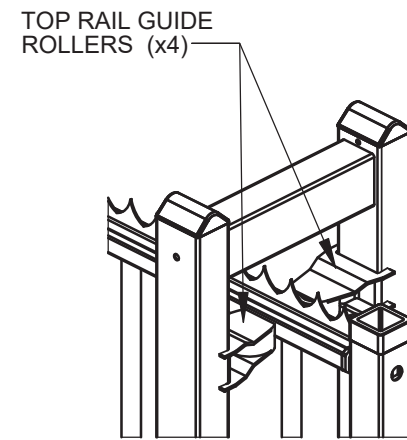
**NOTE:**  
KINETIC GATE OPERATOR IS LOCATED ON THE SECURE SIDE OF GATE.  
GATE TRAVEL DIRECTION MUST BE SPECIFIED AT TIME OF ORDER  
TO DETERMINE CORRECT CONTROLLER LOCATION. REFER TO SHEET 2  
FOR MORE INFORMATION.

**DETAIL 4-1 - GATE CONTROLLER**



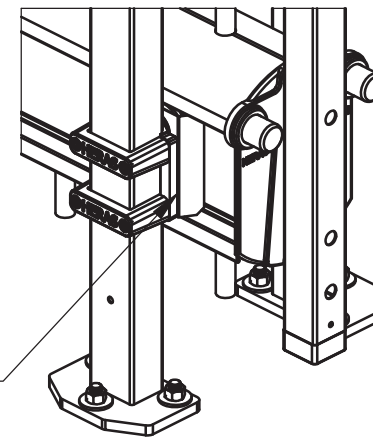
4-2A

4-2B



TOP RAIL GUIDE  
ROLLERS (x4)

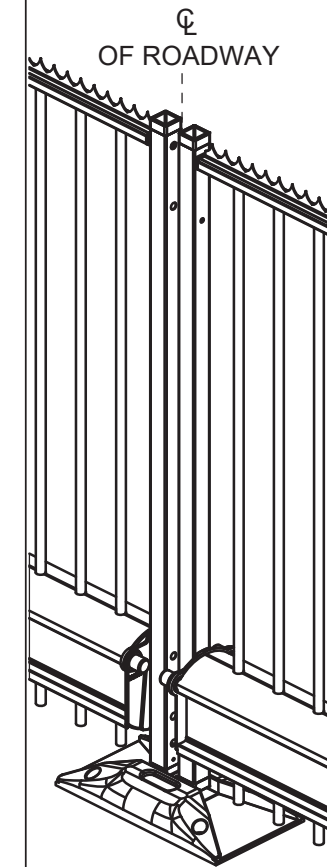
**DETAIL 4-2A - TOP RAIL GUIDE ROLLER**



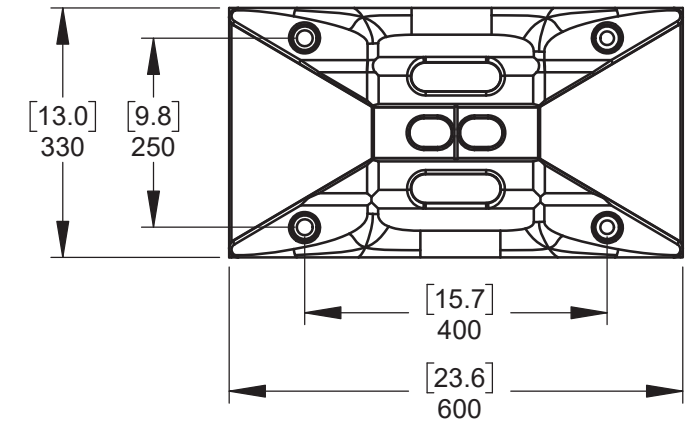
MAIN BEAM ROLLER SET (X2)

**DETAIL 4-2B - MAIN BEAM ROLLER SET**

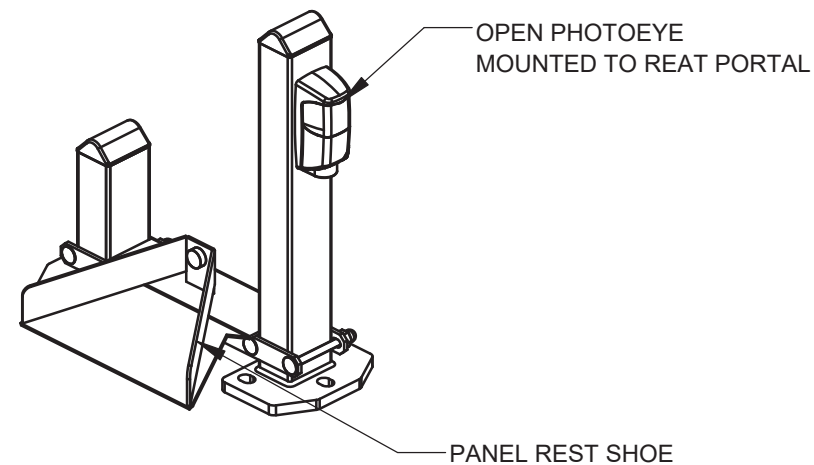
**DETAIL 4-2 - ROLLERS**



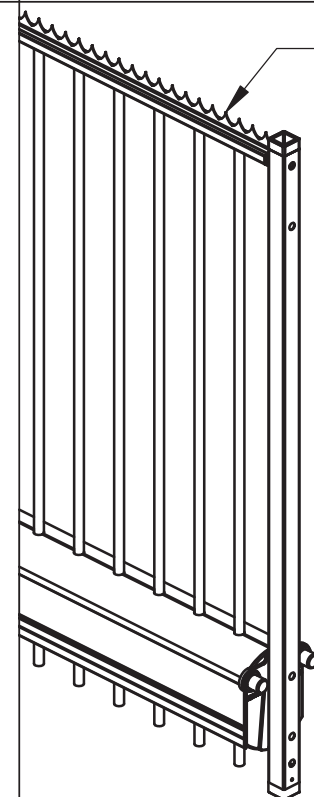
CL  
OF ROADWAY



**DETAIL 4-3 - CENTER CATCH SHOE**

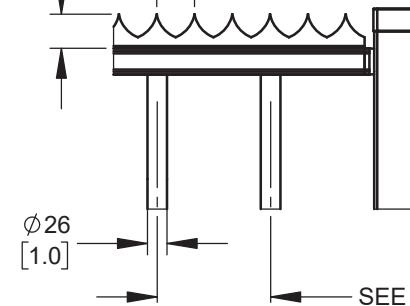


**DETAIL 4-4 - PANEL REST PORTAL**



SERRATED ANTI-CLIMB EDGE

45 [1.8]      50 [2.0]



SEE CHART ON PAGE 1

**DETAIL 4-4 - PANEL PICKETS \ DETAILS**

**NOTES:**

**GATE FINISH:**

- HOT DIPPED GALVANIZED FINISH ON ALL STEEL COMPONENTS
- ALUMINUM GATE BEAMS - CLEAR ANODIZED FINISH

**OPTIONAL FINISH:**

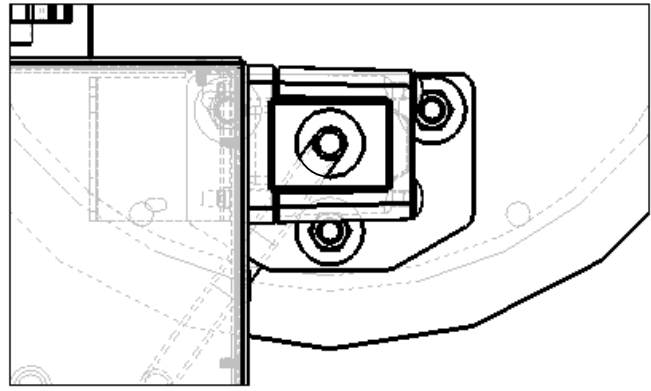
- POWDER COAT FINISH AVAILABLE - RAL COLOR NUMBER MUST BE PROVIDED AT TIME OF ORDER

GATE MUST BE INSTALLED IN ACCORDANCE WITH ASTM F-2200 & UL325

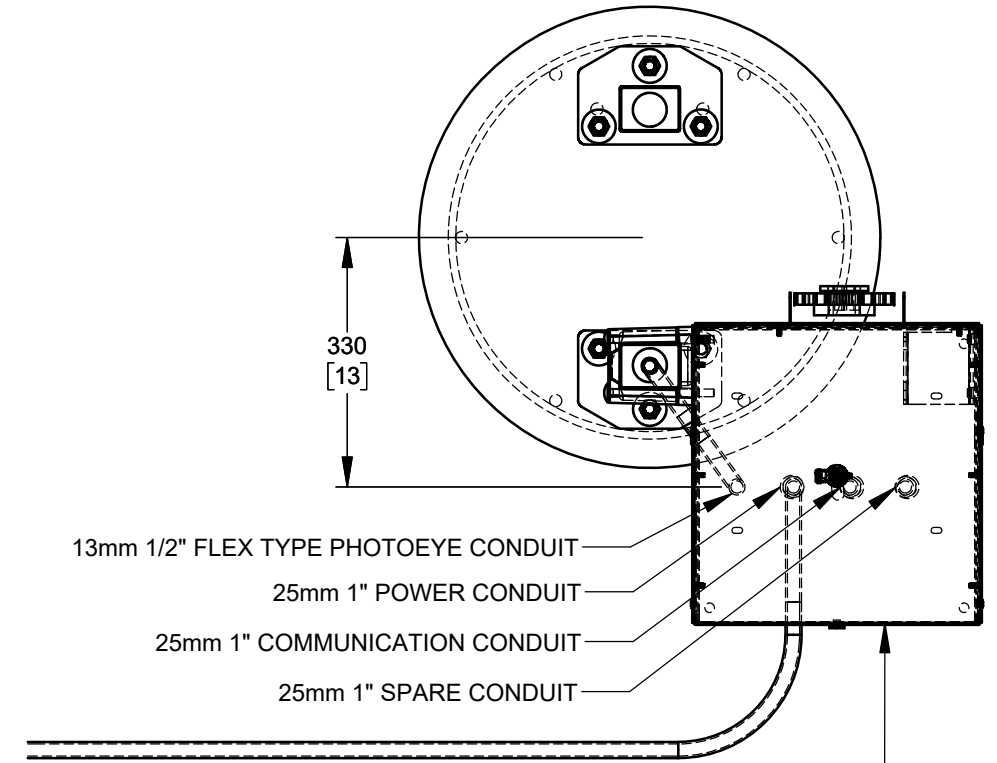
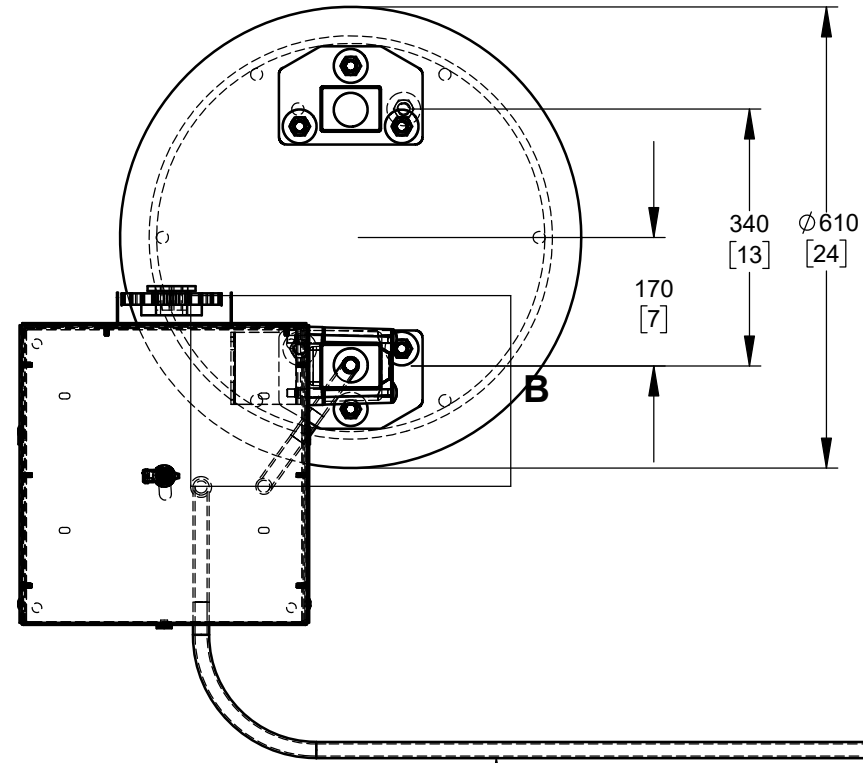
Description:		<b>DOUBLE DELTA CANTILEVER GATE SYSTEM DETAILS &amp; NOTES</b>	
Customer:			
Finish:		Date:	11/27/2022
Drawing No.	<b>DOUBLE-DELTA-09-26-22</b>	Rev.	<b>A</b>
		Sheet:	4 of 6



115 Lowson Crescent  
Winnipeg, Manitoba, Canada, R3P 1A6  
Phone: 1-866-300-1110  
Fax: 1-204-284-1868  
Web: www.wallaceperimetersecurity.com



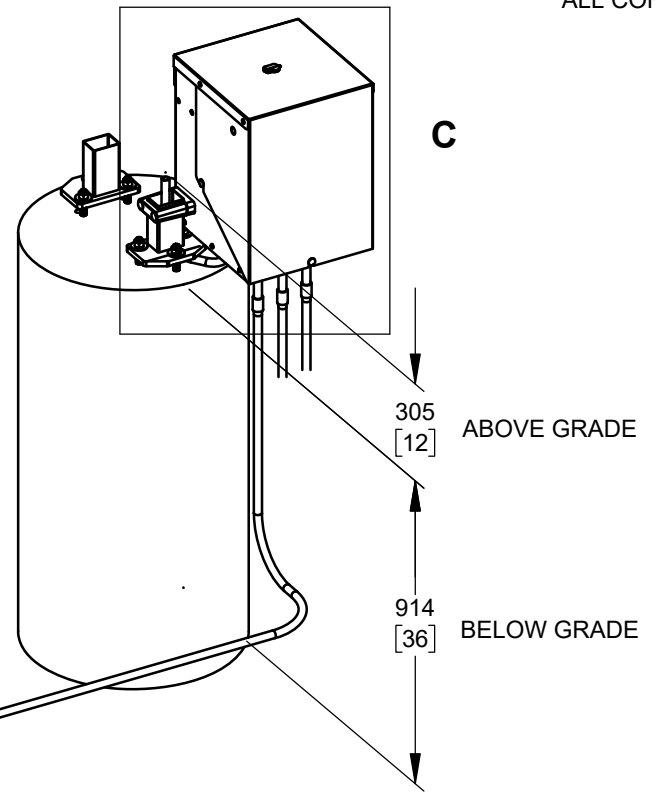
**DETAIL B**  
USE TEMPLATE SUPPLIED WITH DELTA GATE TO ENSURE PROPER PLACEMENT OF CONDUIT IN PILE



- 13mm 1/2" FLEX TYPE PHOTOEYE CONDUIT
- 25mm 1" POWER CONDUIT
- 25mm 1" COMMUNICATION CONDUIT
- 25mm 1" SPARE CONDUIT

KINETIC GATE OPERATOR

ALL CONDUIT BELOW GRADE TO BE RIGID TYPE PVC

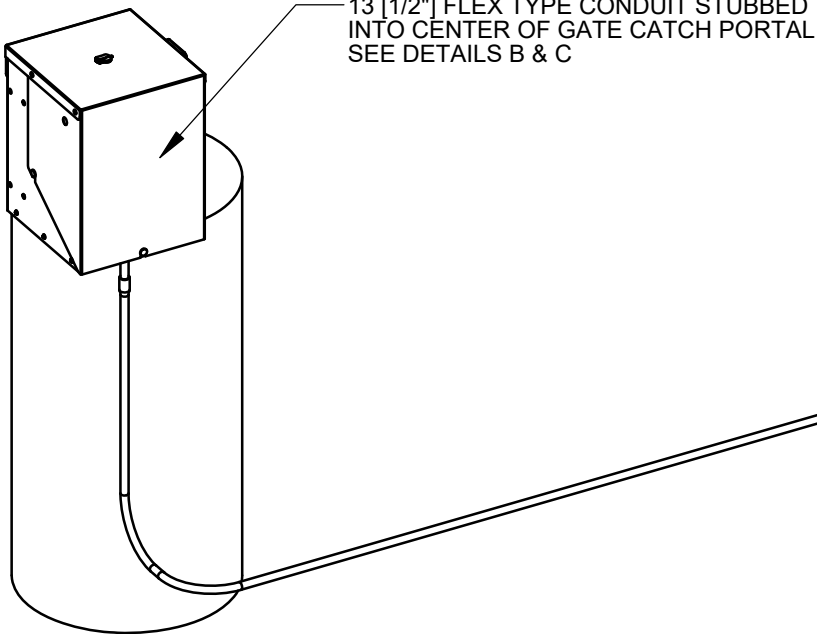
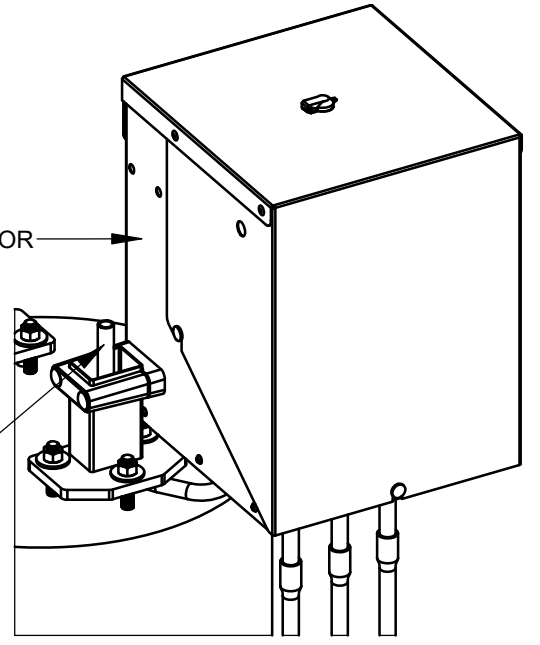


**DETAIL C**  
OPERATOR / PORTAL PHOTOEYE CONDUIT

KINETIC GATE OPERATOR

13 [1/2"] FLEX TYPE CONDUIT FROM KINETIC GATE OPERATOR TO PHOTOEYE MOUNTED ON PORTAL - BY GATE INSTALLERS

GROUT FLEX CONDUIT IN PLACE WHEN INSTALLATION IS COMPLETE.



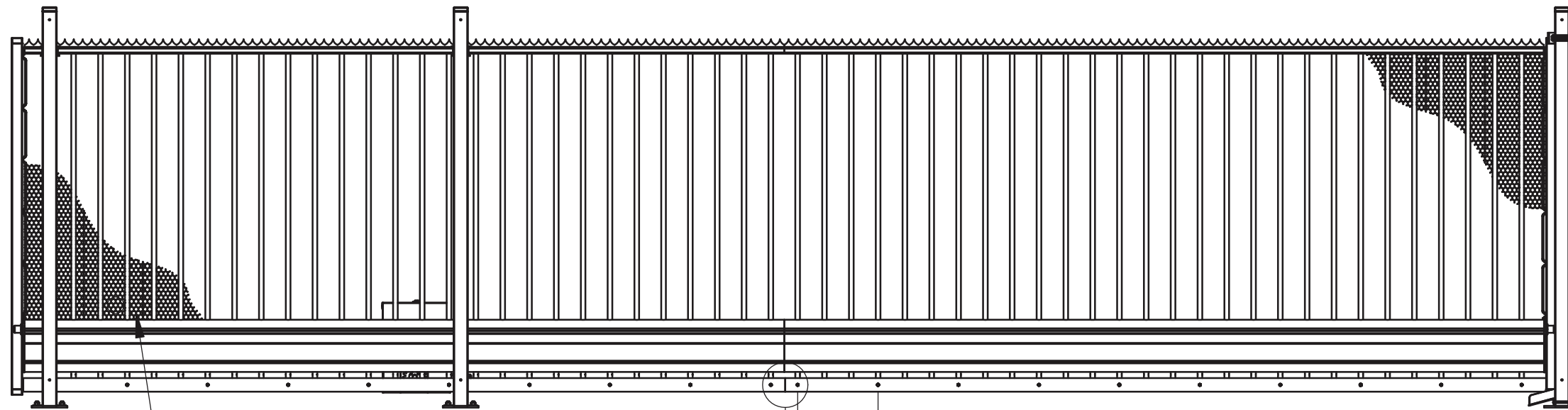
13 [1/2"] FLEX TYPE CONDUIT STUBBED INTO CENTER OF GATE CATCH PORTAL SEE DETAILS B & C

Product must be installed in accordance with ASTM: F-2200 & UL325

**WALLACE**  
PERIMETER SECURITY

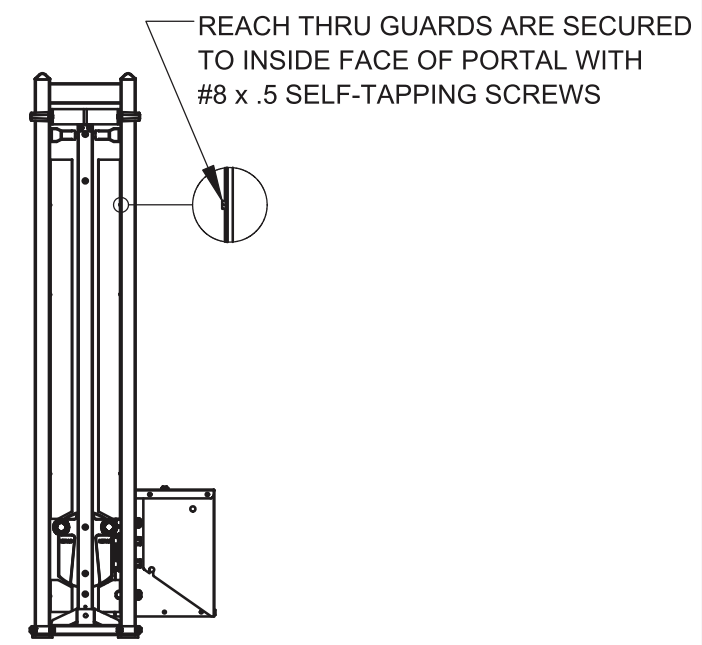
115 Lawson Crescent  
Winnipeg, Manitoba, Canada, R3P 1A6  
Phone: 1-866-300-1110  
Fax: 1-204-284-1868  
Web: www.wallaceperimetersecurity.com

Description:		
<b>DELTA CANTILEVER SLIDE GATE CONDUIT</b>		
Customer:		
Finish:	Date:	
	11/28/2022	
Drawing No.	Rev.	Sheet:
<b>DOUBLE-DELTA-09-26-22</b>	<b>A</b>	5 of 6



20ga REVERSE TWIST PVC BLACK HEX NETTING SECURED TO PICKETS AND END MESH RETAINERS WITH 9ga FENCE TIES.

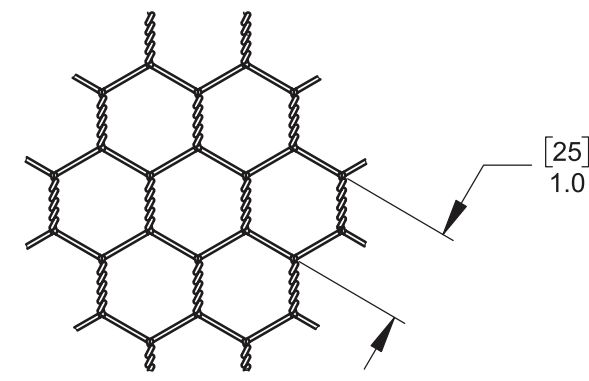
[450]  
17.7



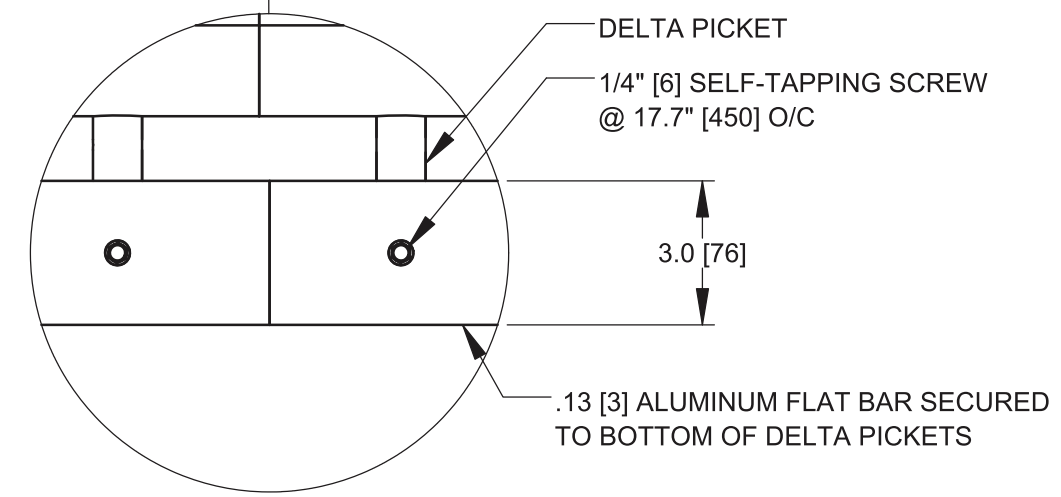
REACH THRU GUARDS ARE SECURED TO INSIDE FACE OF PORTAL WITH #8 x .5 SELF-TAPPING SCREWS

**DETAIL C**  
PORTAL REACH THRU GUARDS

**DETAIL A**  
20ga 1.0" [25] REVERSE TWIST HEX NETTING



[25]  
1.0

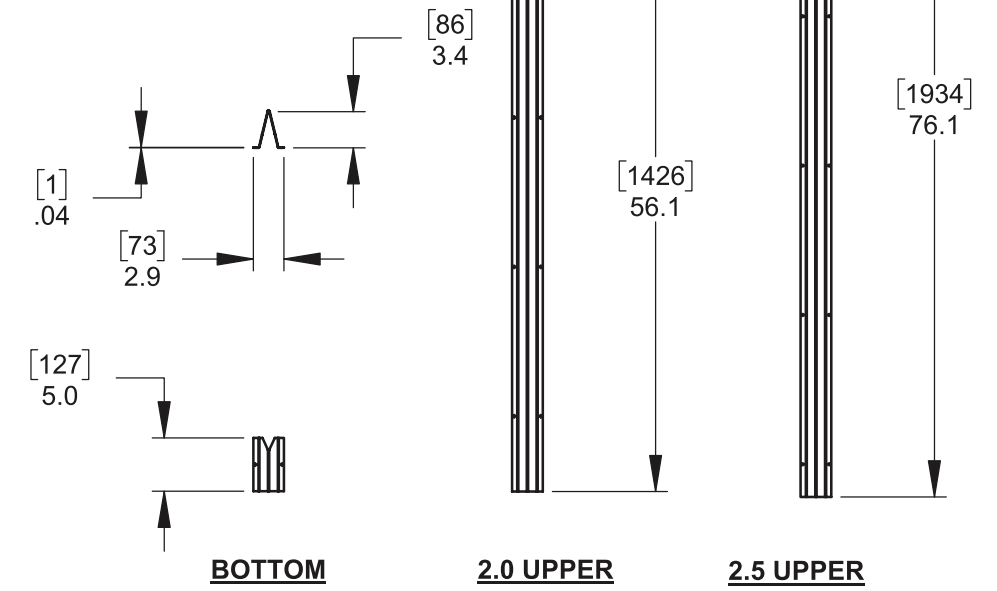


DELTA PICKET  
1/4" [6] SELF-TAPPING SCREW @ 17.7" [450] O/C

3.0 [76]

.13 [3] ALUMINUM FLAT BAR SECURED TO BOTTOM OF DELTA PICKETS

**DETAIL B**  
3.0 [76] x .13 [3] BOTTOM PICKET GUARD



[1]  
.04

[73]  
2.9

[127]  
5.0

[86]  
3.4

[1426]  
56.1

[1934]  
76.1

**BOTTOM**

**2.0 UPPER**

**2.5 UPPER**

Description: <b>DOUBLE DELTA UL325 KIT INSTALLATION DETAIL</b>		
Customer:		
Finish:	Date: 11/27/2022	
Drawing No. <b>DOUBLE-DELTA-09-26-22</b>	Rev. <b>A</b>	Sheet: 6 of 6


**WALLACE**  
 PERIMETER SECURITY  
 115 Lowson Crescent  
 Winnipeg, Manitoba, Canada, R3P 1A6  
 Phone: 1-866-300-1110  
 Fax: 1-204-284-1868  
 Web: www.wallaceperimetersecurity.com