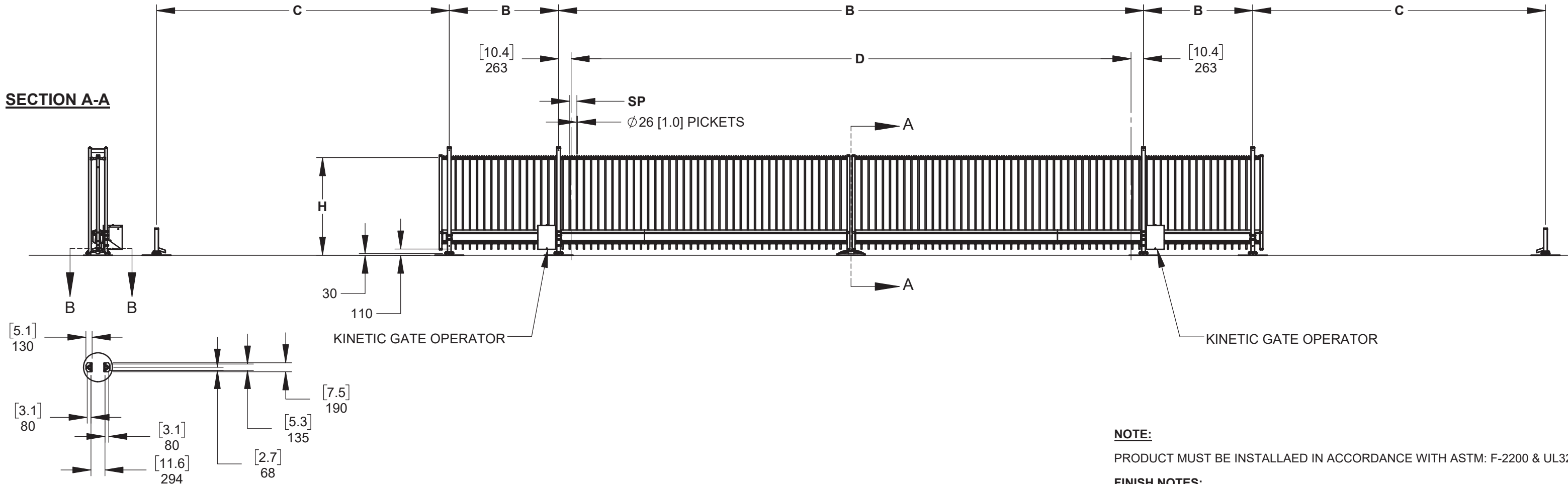




[24.0]
Ø610

SECTION A-A



DIMENSIONS ARE SHOWN IN MILLIMETERS. DIMENSIONS SHOWN IN [] ARE IN INCHES

NOTE:
PRODUCT MUST BE INSTALLED IN ACCORDANCE WITH ASTM: F-2200 & UL325

FINISH NOTES:
STANDARD FINISH:
HOT DIPPED GALVANIZED FINISH ON ALL STEEL COMPONENTS
MILL FINISH ALL ALUMINUM COMPONENTS
OPTIONAL POWDER COAT FINISH, RAL # TO BE SPECIFIED

Delta Model	H	A	B	C	D	U max	SP
50/50/200	2000 [78.7]	10520 [414.2]	2300 [90.6]	5260 [207.1]	9994 [393.5]	25840 [1017.3]	141 [5.55]
50/50/250	2500 [98.4]						
60/60/200	2000 [78.7]	12320 [485.0]	2300 [90.6]	6160 [242.5]	11784 [464.3]	29440 [1159.1]	141 [5.55]
60/60/250	2500 [98.4]						
70/70/200	2000 [78.7]	14920 [587.4]	2800 [110.2]	7460 [293.7]	14394 [566.7]	35640 [1403.1]	143 [5.63]
70/70/250	2500 [98.4]						
85/85/200	2000 [78.7]	17320 [681.9]	2800 [110.2]	8660 [340.9]	16794 [661.2]	40440 [1592.1]	143 [5.63]
85/85/250	2500 [98.4]						
95/95/200	2000 [78.7]	19120 [752.8]	2800 [110.2]	9560 [376.4]	18594 [732.0]	44040 [1733.9]	141 [5.55]

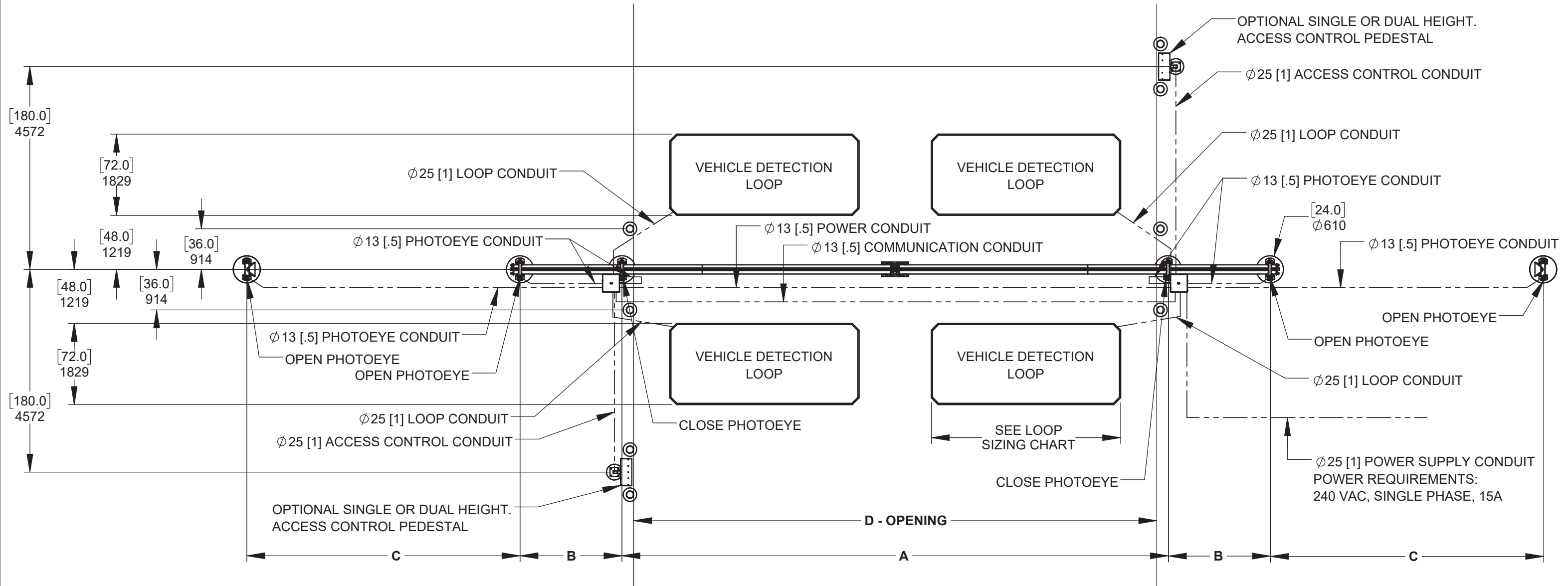
115 Lowson Crescent
Winnipeg, Manitoba, Canada, R3P 1A6
Phone: 1-866-300-1110
Fax: 1-204-284-1868
Web: www.wallaceperimetersecurity.com

Description: DOUBLE DELTA CANTILEVER SLIDE GATE	
Customer:	
Finish: SEE FINISH NOTES	Date: 11/27/2022
Drawing No. DOUBLE_DELTA-09-26-22	Rev. A
Sheet: 1 of 6	

NOTES:

- OPTIONAL ACCESS CONTROL HARDWARE, VEHICLE DETECTION LOOP AND BOLLARD LOCATIONS ARE SUPPLIED AS A REFERENCE ONLY. ALL FINAL MATERIALS AND LOCATIONS ARE SUPPLIED AND INSTALLED BY OTHERS UNLESS OTHERWISE SPECIFIED AT TIME OF ORDER.
- GATE TRAVEL DIRECTION MUST BE SPECIFIED AT TIME OF ORDER FOR CORRECT PLACEMENT OF CONDUIT AND GATE OPERATORS.
- SEE SHEET 3 FOR GENERIC FOUNDATION SIZING, INSTALLATION AND LEVELING NOTES.

Delta Model	D - Opening	Loop Width
50/50	9994 [393.5]	3048 [120] x2
60/60	11794 [464.3]	4267 [168] x2
70/70	14394 [566.7]	4876 [192] X2
85/85	16794 [661.2]	6096 [240] x2
95/95	18594 [732.0]	6096 [240] x2



Product must be installed in accordance with ASTM: F-2200 & UL325

Description:
**DOUBLE DELTA
 CANTILEVER SLIDE GATE**
 GENERIC SITE LAYOUT / CONDUIT REQUIREMENTS

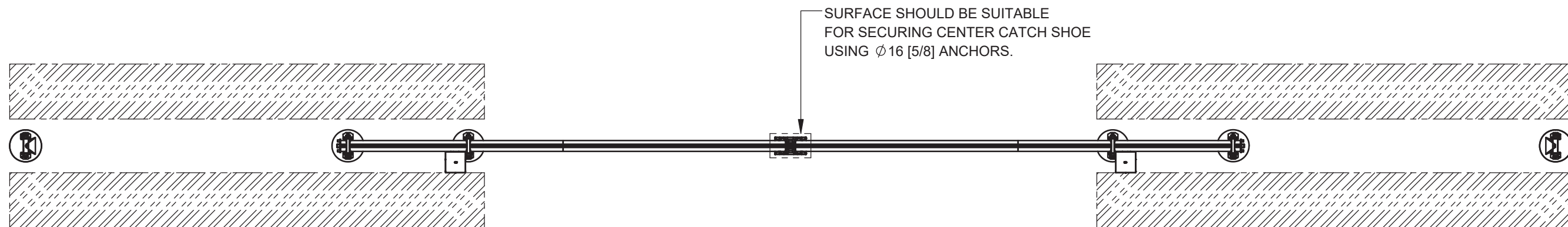
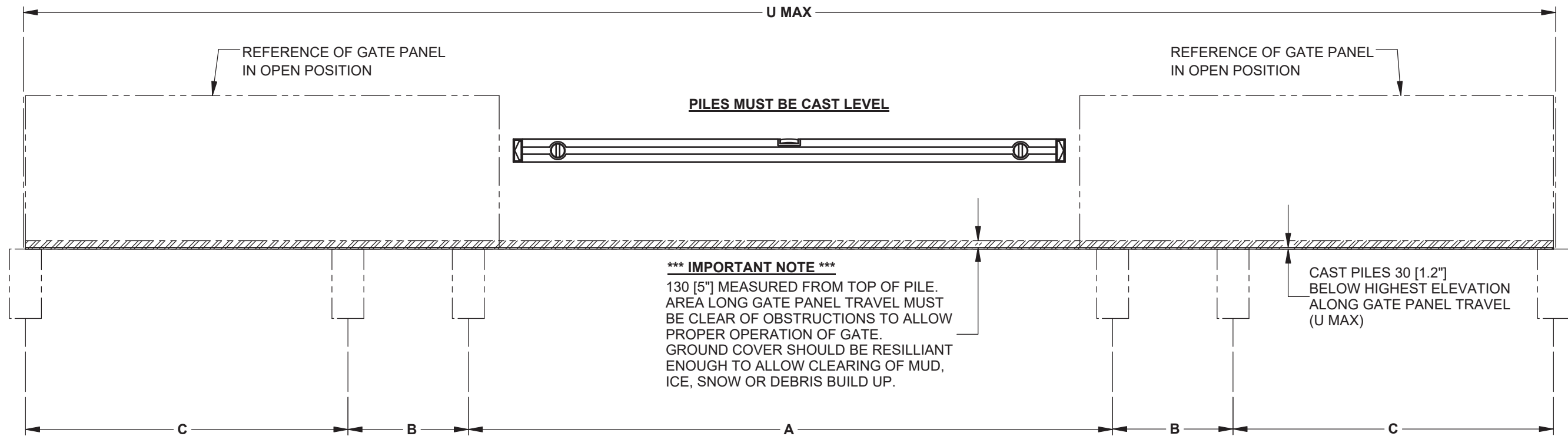
Customer:

Finish: SEE FINISH NOTES
 Date: 11/27/2022

Drawing No. **DOUBLE_DELTA-09-26-22** Rev. **A** Sheet: 2 of 6

WALLACE
 PERIMETER SECURITY

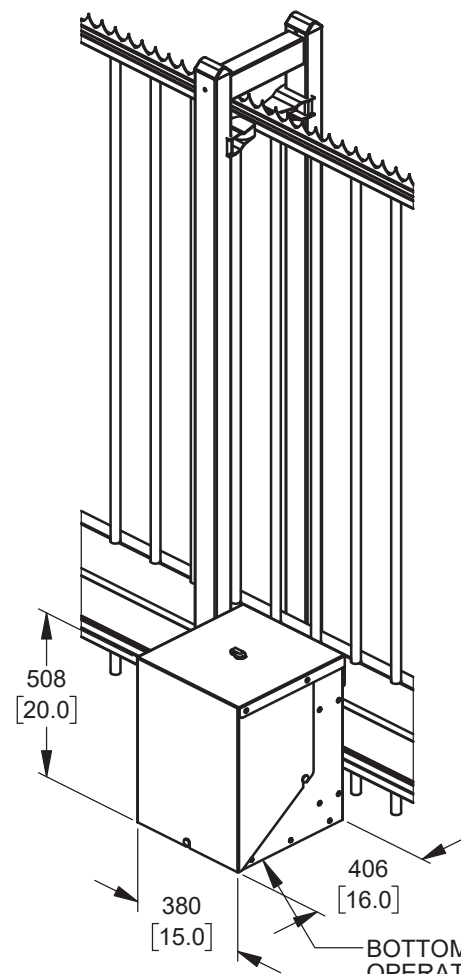
115 Lawson Crescent
 Winnipeg, Manitoba, Canada, R3P 1A6
 Phone: 1-866-300-1110
 Fax: 1-204-284-1868
 Web: www.wallaceperimetersecurity.com



Description:		
DOUBLE DELTA CANTILEVER SLIDE GATE FOUNDATION INSTALLATION NOTES		
Customer:		
Finish:	Date:	
	11/27/2022	
Drawing No.	Rev.	Sheet:
DOUBLE-DELTA-09-26-22	A	3 of 6

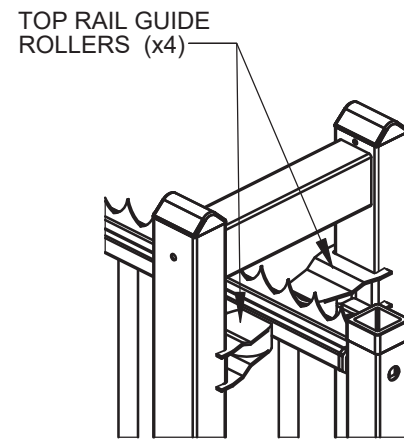
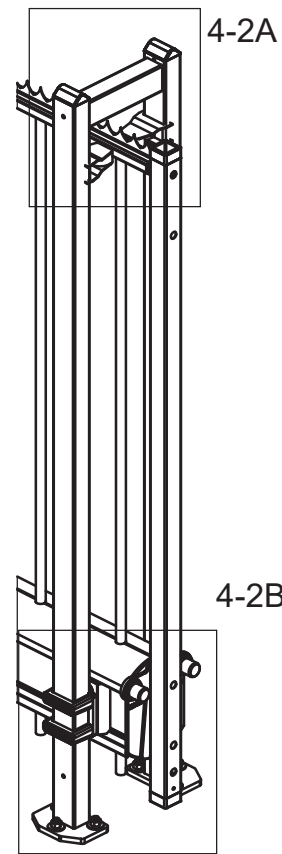

WALLACE
 PERIMETER SECURITY

115 Lawson Crescent
 Winnipeg, Manitoba, Canada, R3P 1A6
 Phone: 1-866-300-1110
 Fax: 1-204-284-1868
 Web: www.wallaceperimetersecurity.com

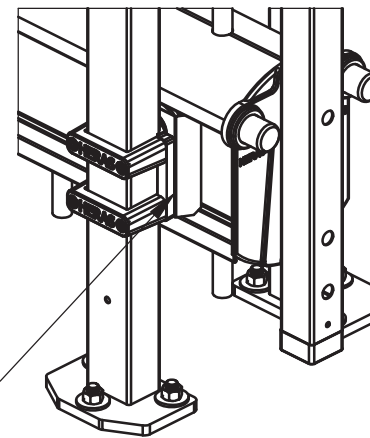


NOTE:
KINETIC GATE OPERATOR IS LOCATED ON THE SECURE SIDE OF GATE.
GATE TRAVEL DIRECTION MUST BE SPECIFIED AT TIME OF ORDER
TO DETERMINE CORRECT CONTROLLER LOCATION. REFER TO SHEET 2
FOR MORE INFORMATION.

DETAIL 4-1 - GATE CONTROLLER

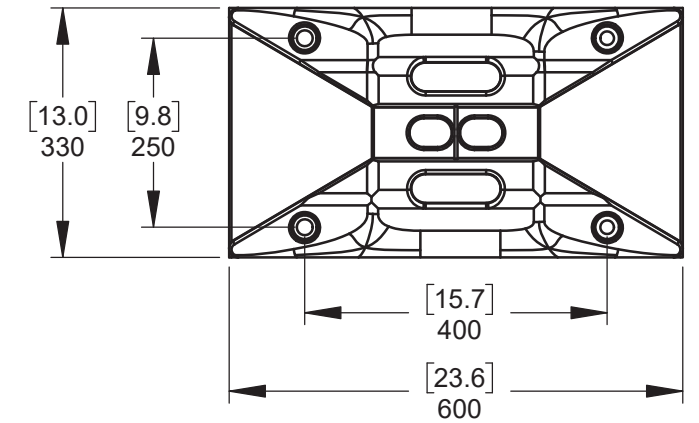
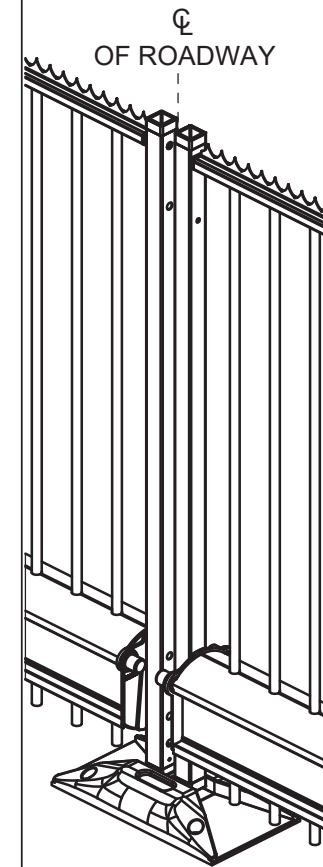


DETAIL 4-2A - TOP RAIL GUIDE ROLLER

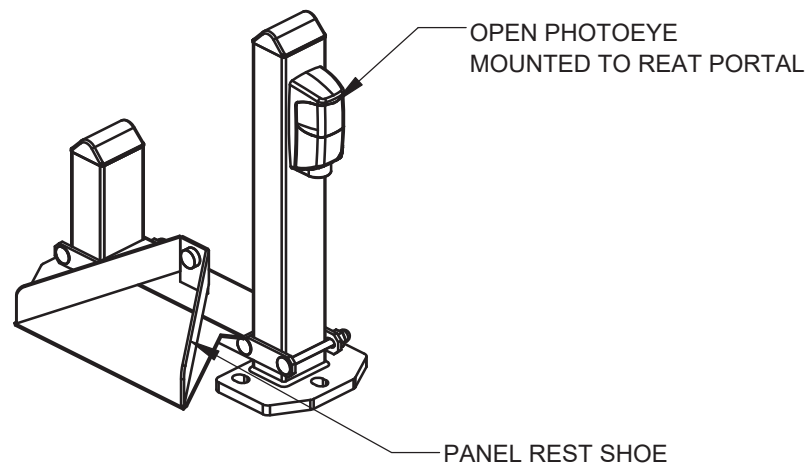


DETAIL 4-2B - MAIN BEAM ROLLER SET

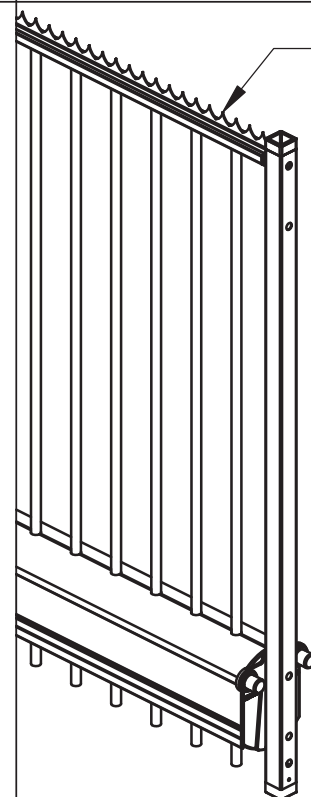
DETAIL 4-2 - ROLLERS



DETAIL 4-3 - CENTER CATCH SHOE

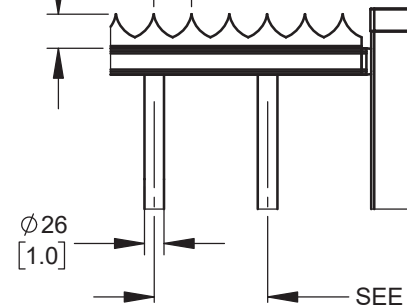


DETAIL 4-4 - PANEL REST PORTAL



SERRATED ANTI-CLIMB EDGE

45 [1.8] 50 [2.0]



DETAIL 4-4 - PANEL PICKETS \ DETAILS

NOTES:

GATE FINISH:

- HOT DIPPED GALVANIZED FINISH ON ALL STEEL COMPONENTS
- ALUMINUM GATE BEAMS - CLEAR ANODIZED FINISH

OPTIONAL FINISH:

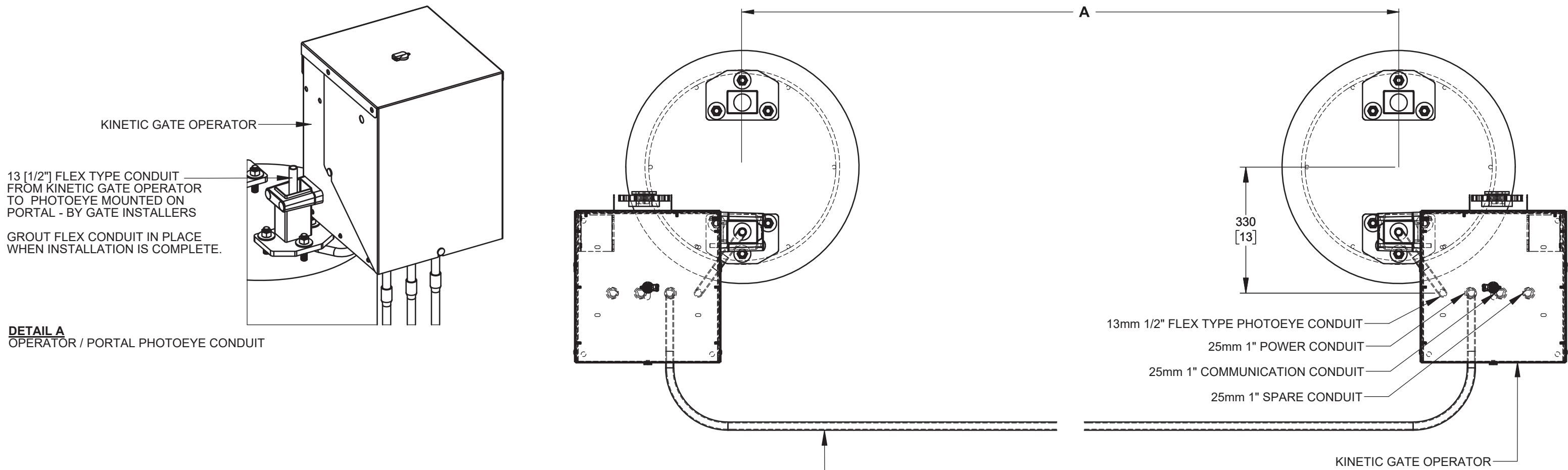
- POWDER COAT FINISH AVAILABLE - RAL COLOR NUMBER MUST BE PROVIDED AT TIME OF ORDER

GATE MUST BE INSTALLED IN ACCORDANCE WITH ASTM F-2200 & UL325

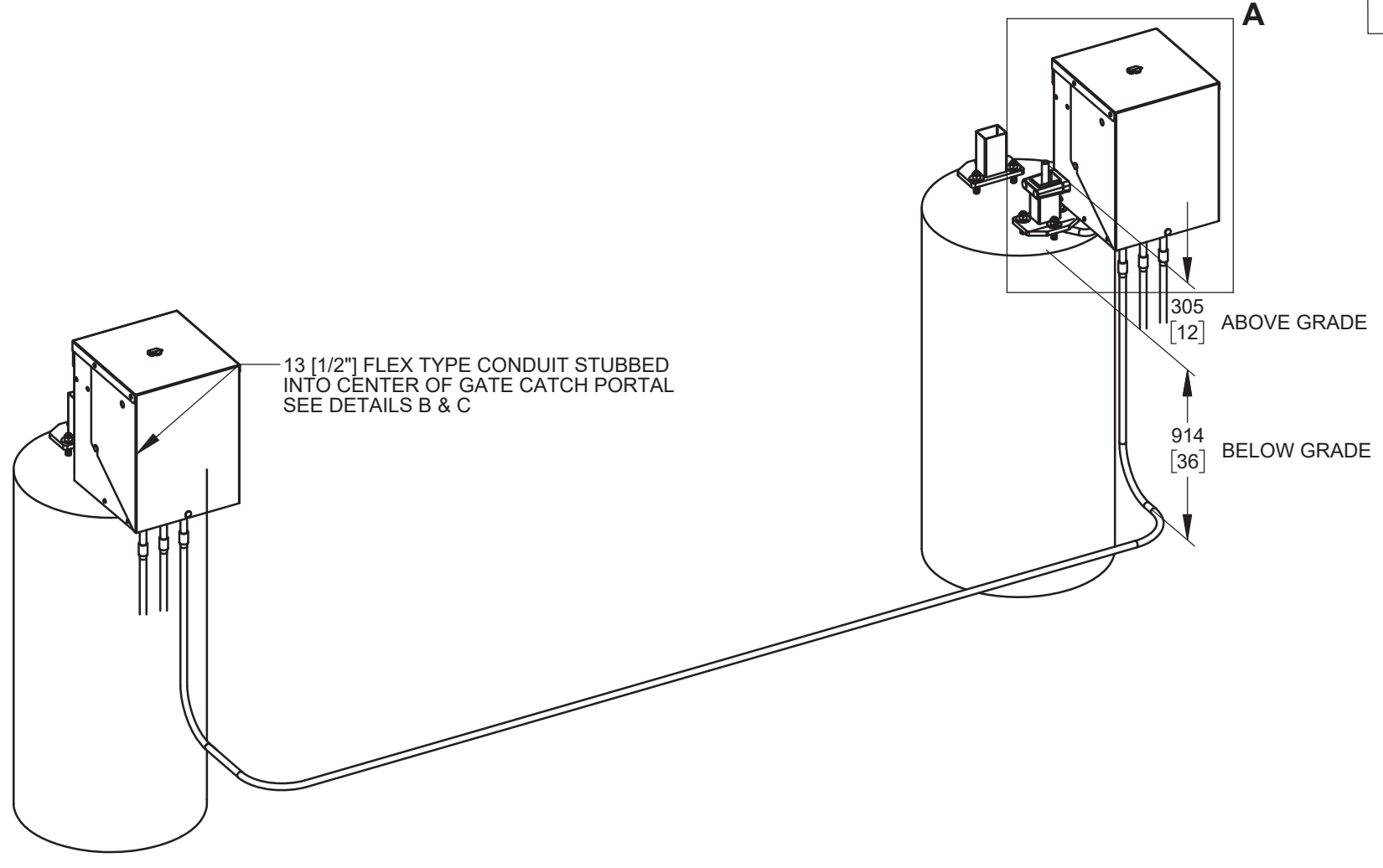
Description:		DOUBLE DELTA CANTILEVER GATE SYSTEM DETAILS & NOTES	
Customer:			
Finish:		Date:	11/27/2022
Drawing No.	DOUBLE-DELTA-09-26-22	Rev.	A
		Sheet:	4 of 6



115 Lowson Crescent
Winnipeg, Manitoba, Canada, R3P 1A6
Phone: 1-866-300-1110
Fax: 1-204-284-1868
Web: www.wallaceperimetersecurity.com



DETAIL A
OPERATOR / PORTAL PHOTOEYE CONDUIT

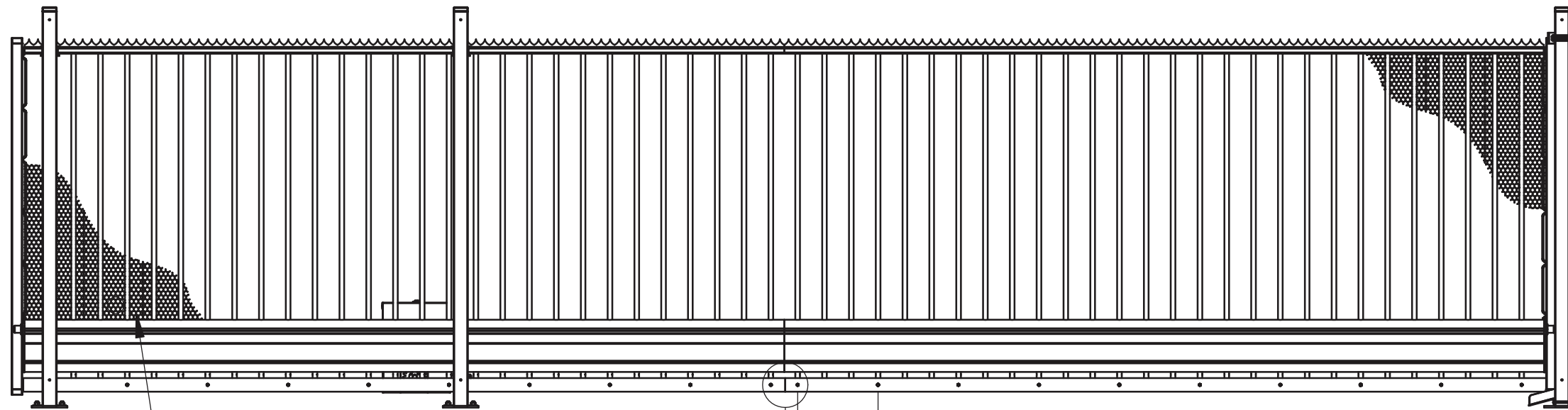


ALL CONDUIT BELOW GRADE TO BE RIGID TYPE PVC

SEE SHEET 2 FOR MORE INFORMATION ON CONDUIT REQUIREMENTS AND LOCATIONS

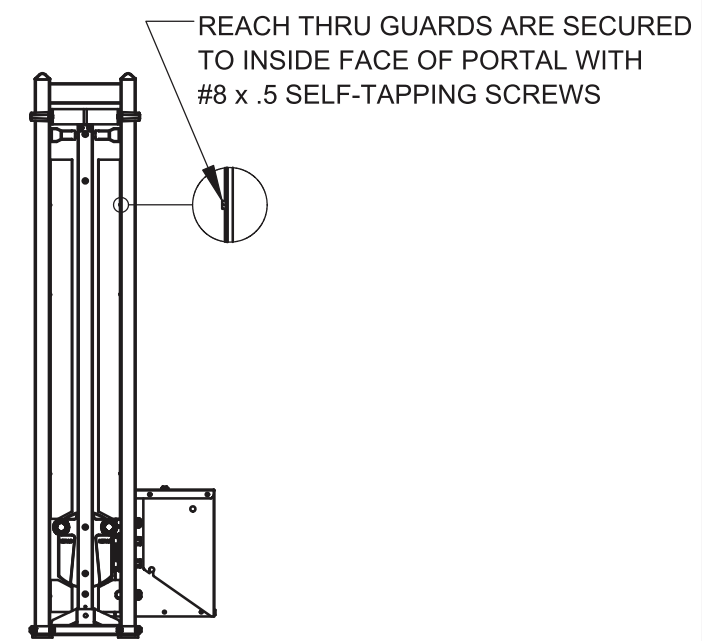
Description:		DOUBLE DELTA GATE STANDARD DIMENSIONS	
Project / Customer Name:		-	
Finish:	-		Date: 9/26/2022
Drawing No. DOUBLE_DELTA-09-26-22	Rev. A	Sheet: 5 of 6	


WALLACE
 PERIMETER SECURITY
 90 Lawson Crescent
 Winnipeg, Manitoba, Canada, R3P 2H8
 Phone: 1-866-300-1110
 Fax: 1-204-284-1868
 www.wallaceperimetersecurity.com



20ga REVERSE TWIST PVC BLACK HEX NETTING SECURED TO PICKETS AND END MESH RETAINERS WITH 9ga FENCE TIES.

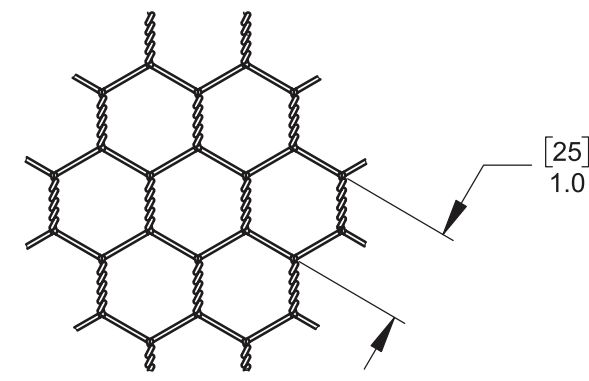
[450]
17.7



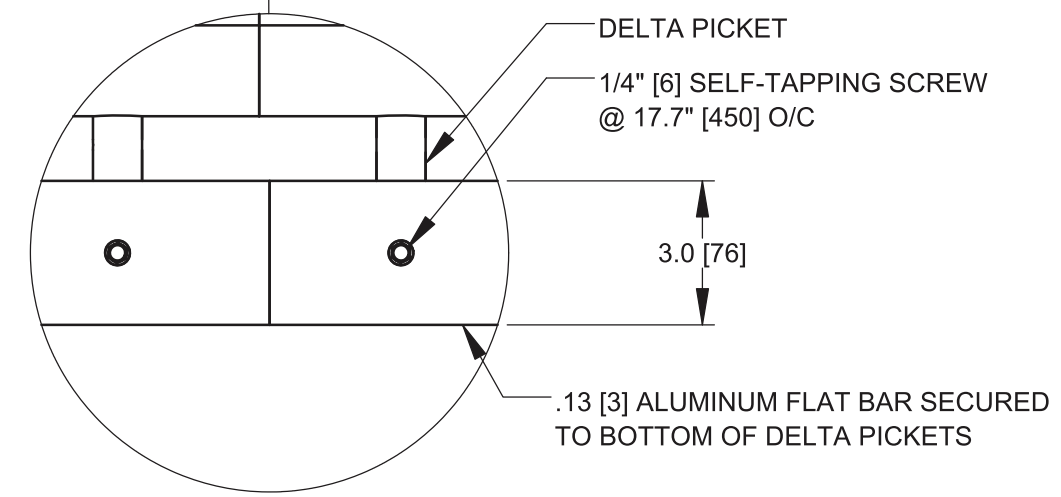
REACH THRU GUARDS ARE SECURED TO INSIDE FACE OF PORTAL WITH #8 x .5 SELF-TAPPING SCREWS

DETAIL C
PORTAL REACH THRU GUARDS

DETAIL A
20ga 1.0" [25] REVERSE TWIST HEX NETTING

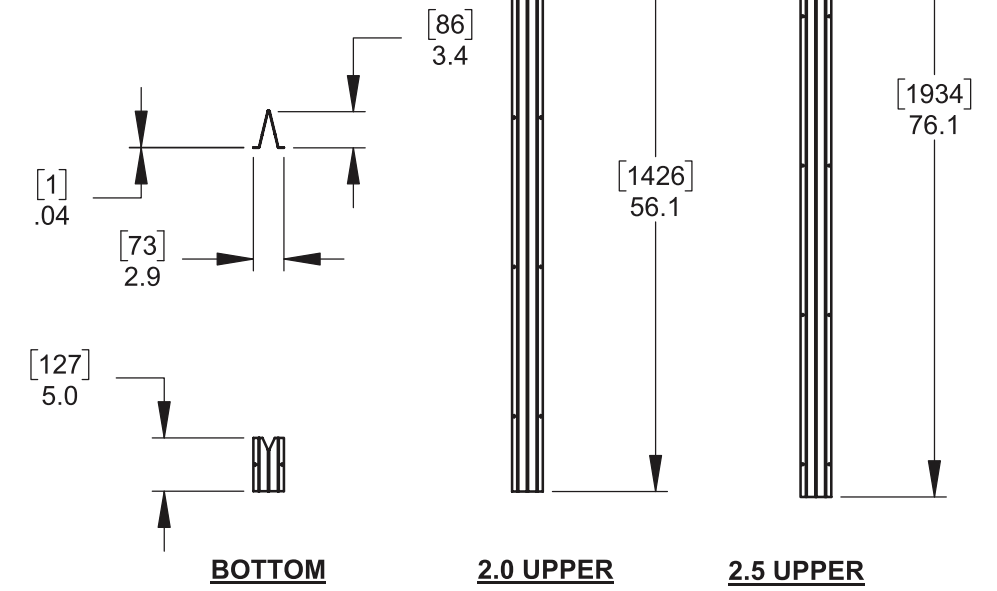


[25]
1.0



DELTA PICKET
1/4" [6] SELF-TAPPING SCREW @ 17.7" [450] O/C
3.0 [76]
.13 [3] ALUMINUM FLAT BAR SECURED TO BOTTOM OF DELTA PICKETS

DETAIL B
3.0 [76] x .13 [3] BOTTOM PICKET GUARD



[1]
.04

[73]
2.9

[127]
5.0

[86]
3.4

[1426]
56.1

[1934]
76.1

BOTTOM

2.0 UPPER

2.5 UPPER

Description: DOUBLE DELTA UL325 KIT INSTALLATION DETAIL		
Customer:		
Finish:	Date: 11/27/2022	
Drawing No. DOUBLE-DELTA-09-26-22	Rev. A	Sheet: 6 of 6


WALLACE
 PERIMETER SECURITY
 115 Lowson Crescent
 Winnipeg, Manitoba, Canada, R3P 1A6
 Phone: 1-866-300-1110
 Fax: 1-204-284-1868
 Web: www.wallaceperimetersecurity.com