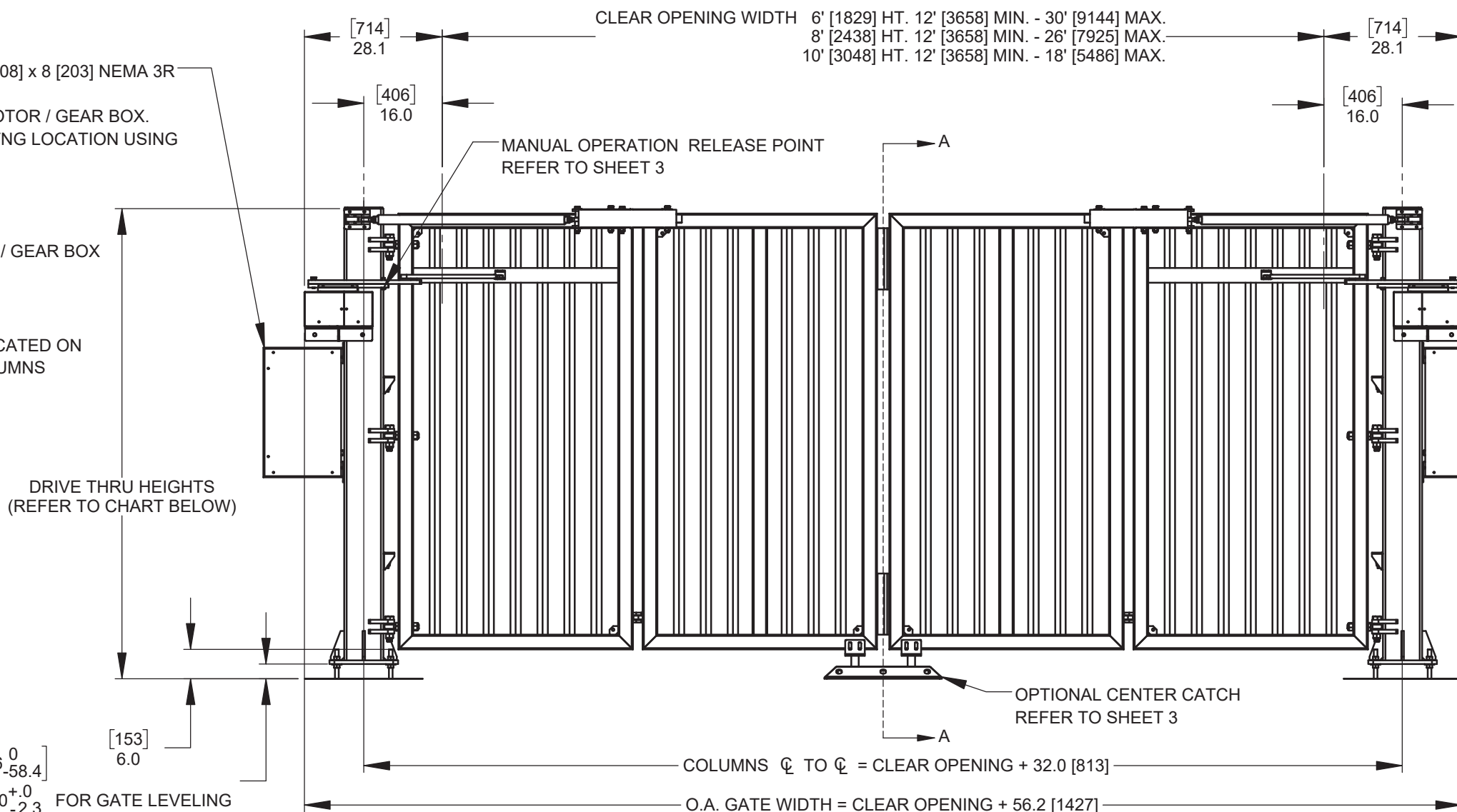
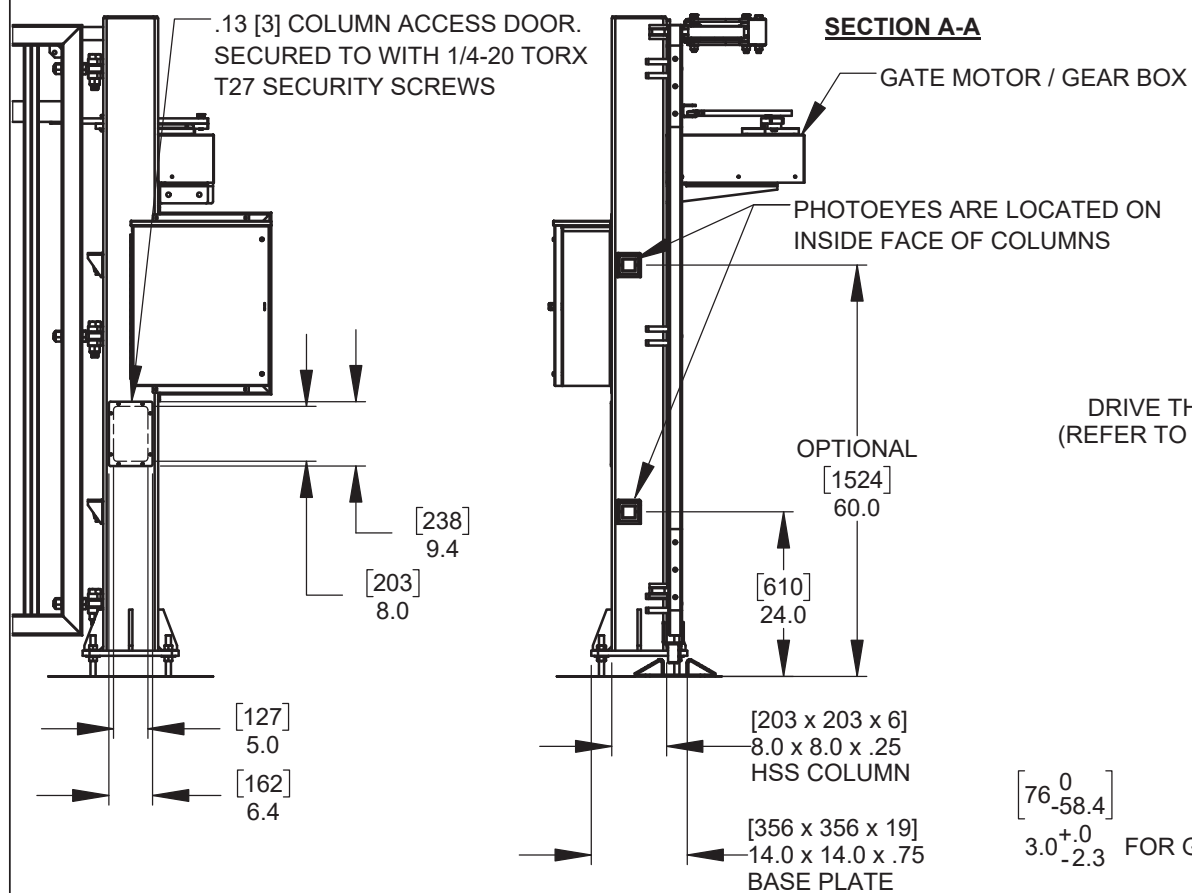


DETAIL A - VERTICAL PANEL CATCH

.13 [3] STEEL CATCH — NYLON CATCH BLOCK

ELECTRICAL CONTROLLERS ARE MOUNTED IN A 24" [610] x 20" [508] x 8 [203] NEMA 3R ENCLOSURE. (1 PER GATE OPERATOR)
ENCLOSURES MUST BE MOUNTED WITHIN 10' [3048] OF GATE MOTOR / GEAR BOX.
ENCLOSURES ARE SHOWN IN RECOMMENDED COLUMN MOUNTING LOCATION USING SUPPLIED MOUNTING BRACKETS.



NOTES:

DIMENSIONS ARE IN INCHES, DIMENSIONS SHOWN IN [] ARE IN MILLIMETERS.

FINISH NOTES:

STANDARD FINISH: HOT DIPPED GALVANIZED ON ALL STEEL COMPONENTS

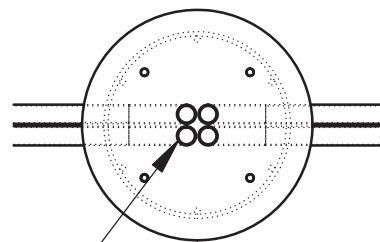
OPTIONAL FINISH: POWDER COAT PAINT, CUSTOM COLORS AVAILABLE
RAL # MUST BE SPECIFIED AT TIME OF ORDER

DRIVE THRU HEIGHTS	
6ft	72" [1829]
8ft	96" [2438]
10ft	120" [3048]

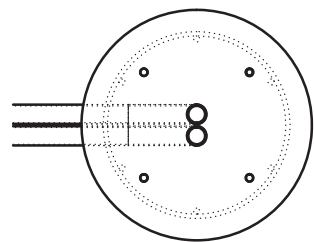


115 Lowson Crescent
Winnipeg, Manitoba, Canada, R3P 1A6
Phone: 1-866-300-1110
Fax: 1-204-284-1868
Web: www.wallaceperimetersecurity.com

Description:		FOLDSMART XT TRACKLESS BI-FOLDING GATE SYSTEM STANDARD DIMENSIONS	
Customer / Project Name:			
Finish:		Date:	
SEE FINISH NOTES		1/30/2019	
Drawing No.		Rev.	Sheet:
FSXT-01-30-19			1 of 5



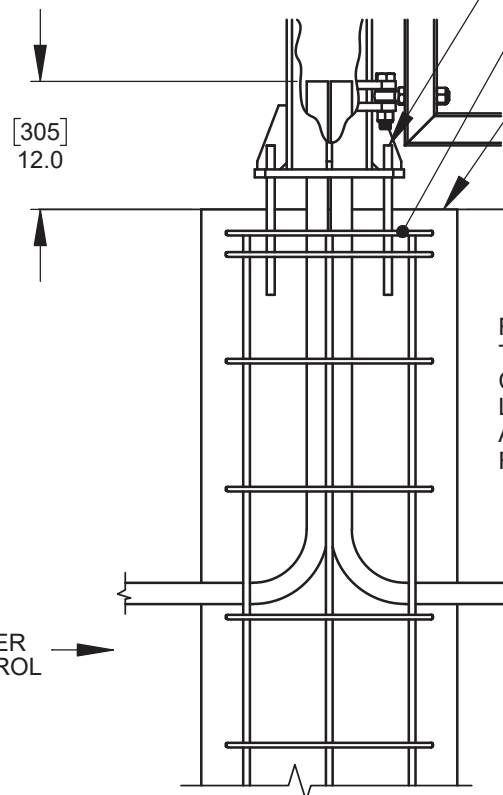
4 PCES. 1" [25] CONDUIT - BY OTHERS
2 IN PRIMARY COLUMN, FROM INCOMING
POWER SUPPLY / ACCESS CONTROL.
2 IN SECONDARY COLUMN FROM PRIMARY
COLUMN.



NOTE:
PRIMARY COLUMN IS THE COLUMN
WITH INCOMING POWER AND ACCESS
CONTROL CONDUIT.

.75" [19] HILTI HAS 5.8 x 17" [432] ANCHOR BOLTS
ADHESIVE: HILTI HIT-RE-500 OR
APPROVED EQUIVALENT.
REINFORCING STEEL:
10M ϕ 19 [493] REBAR RINGS SPACED @ 12 [305] O/C
DOUBLE RINGS AT TOP. 8 - 15M REBAR VERTICALS

CONCRETE TYPE 50 32 Mpa OR LOCAL
EQUIVALENT. THE TOP 72.0 [1828] OF
FOUNDATION TO BE ENCASED IN ϕ 24.0" [610]
SONO TUBE.
RECOMMENDED FOUNDATION DEPTH IS 36.0 [914]
BELOW LOCAL FROST LINE.
MINIMUM FOUNDATION DEPTH 96.0" [2438]

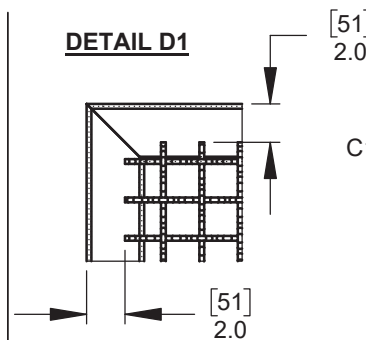


RECOMMENDED CONDUIT DEPTH 36.0 [914]
TO SUIT FACTORY SUPPLIED WIRE HARNESS
CONDUIT DEPTH CAN BE INCREASED TO SUIT
LOCAL CODE REQUIREMENTS. MUST BE SPECIFIED
AT TIME OF ORDER. REFER TO CONTROLLER NOTE
FOR MAX. WIRE HARNESS LENGTH.

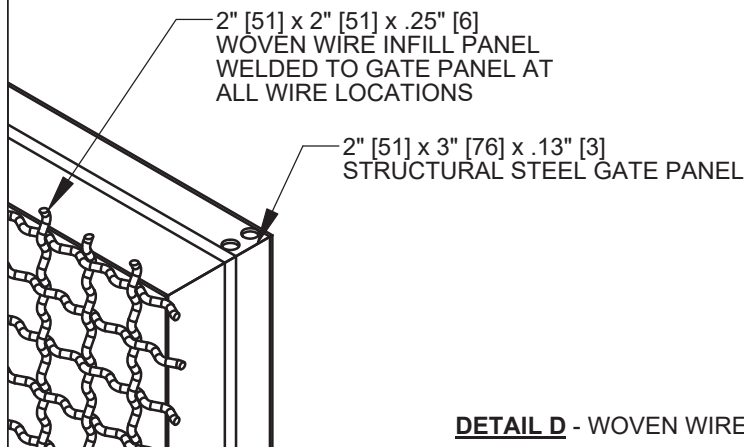
INCOMING POWER
/ ACCESS CONTROL

TO SECONDARY
GATE COLUMN

DETAIL B - COLUMN FOUNDATIONS



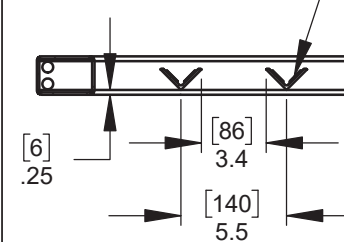
DETAIL D2



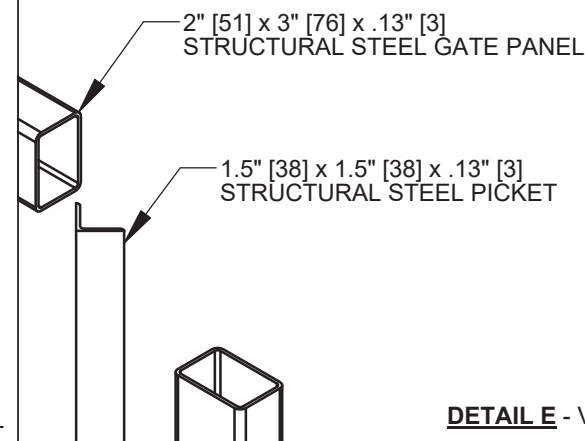
DETAIL D - WOVEN WIRE INFILL

DETAIL E1

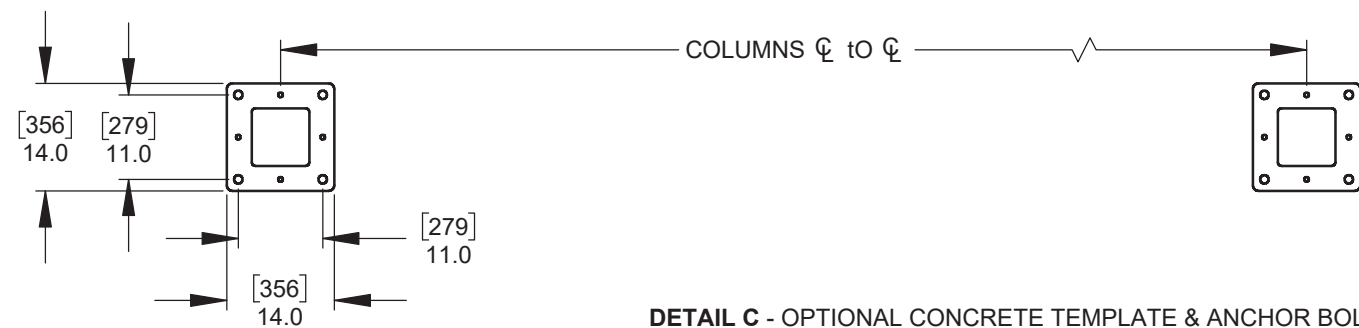
PICKETS ARE WELDED
TO GATE PANEL ON
INNER FACE OF PICKET



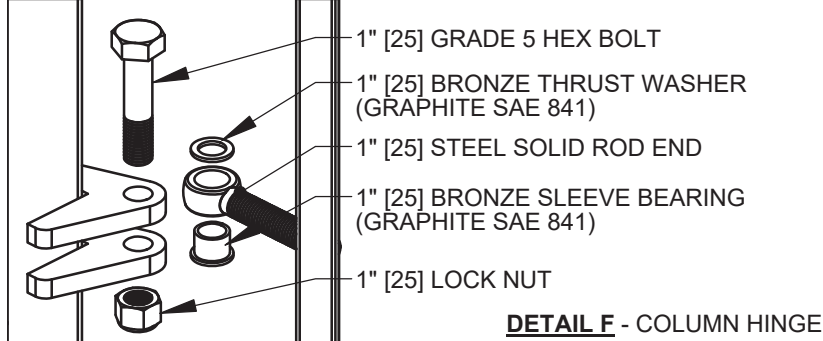
DETAIL E2



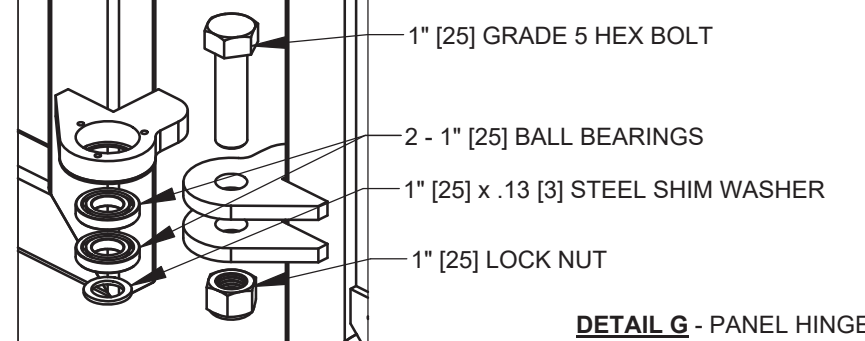
DETAIL E - VERTICAL PICKET INFILL



DETAIL C - OPTIONAL CONCRETE TEMPLATE & ANCHOR BOLT KIT



DETAIL F - COLUMN HINGE



DETAIL G - PANEL HINGE

INCLUDED WITH FOLDSMART

- 2 - ELECTRICAL OPERATORS MOUNTED IN 24" [610] x 20" [508] x 8" [203] NEMA 3R ENCLOSURES.
- KEY FOR MANUAL PANEL RELEASE

OPTIONS:

- CONCRETE TEMPLATE & ANCHOR BOLT KIT
- VEHICLE DETECTION LOOP RELAYS
- VEHICLE DETECTION LOOPS, DIRECT BURIAL OR SAW CUT
- SURFACE MOUNTED CENTER CATCH
- 4" [102] RED / GREEN LED TRAFFIC LIGHT
- AMBER STROBE LIGHT
- ALUMINUM SERRATED ANTI - CLIMB
- BARBED WIRE

Description:
**FOLDSMART XT
TRACKLESS BI-FOLDING GATE SYSTEM
STANDARD DIMENSIONS**

Customer / Project Name:

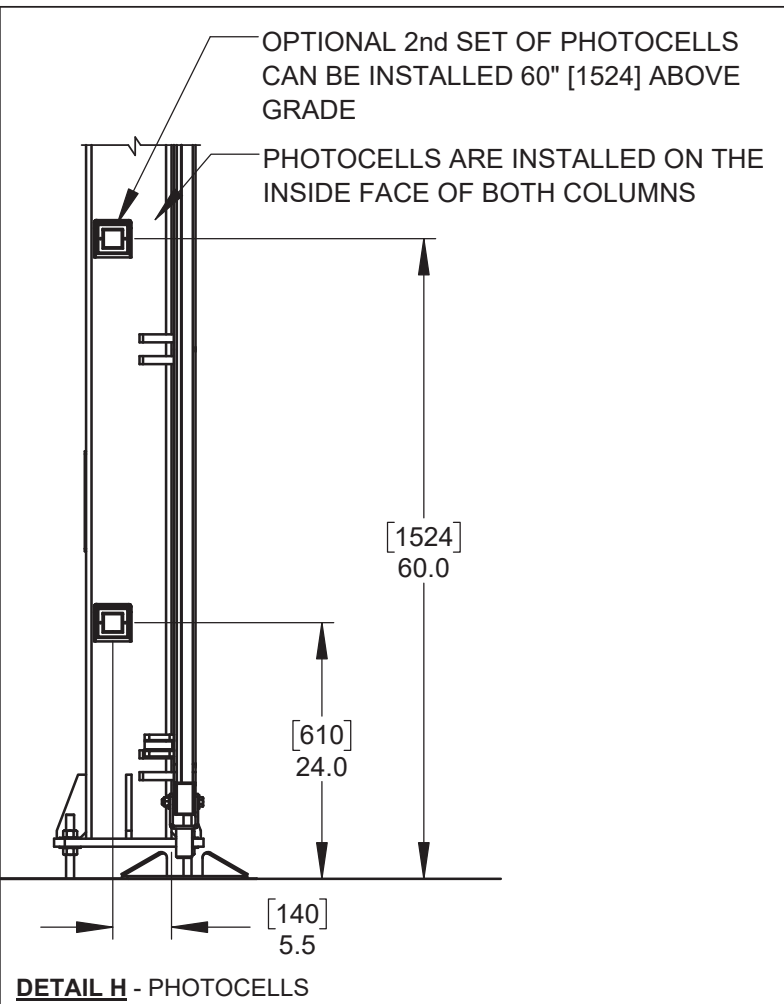
Finish:
SEE SHEET 1

Date:
1/30/2019

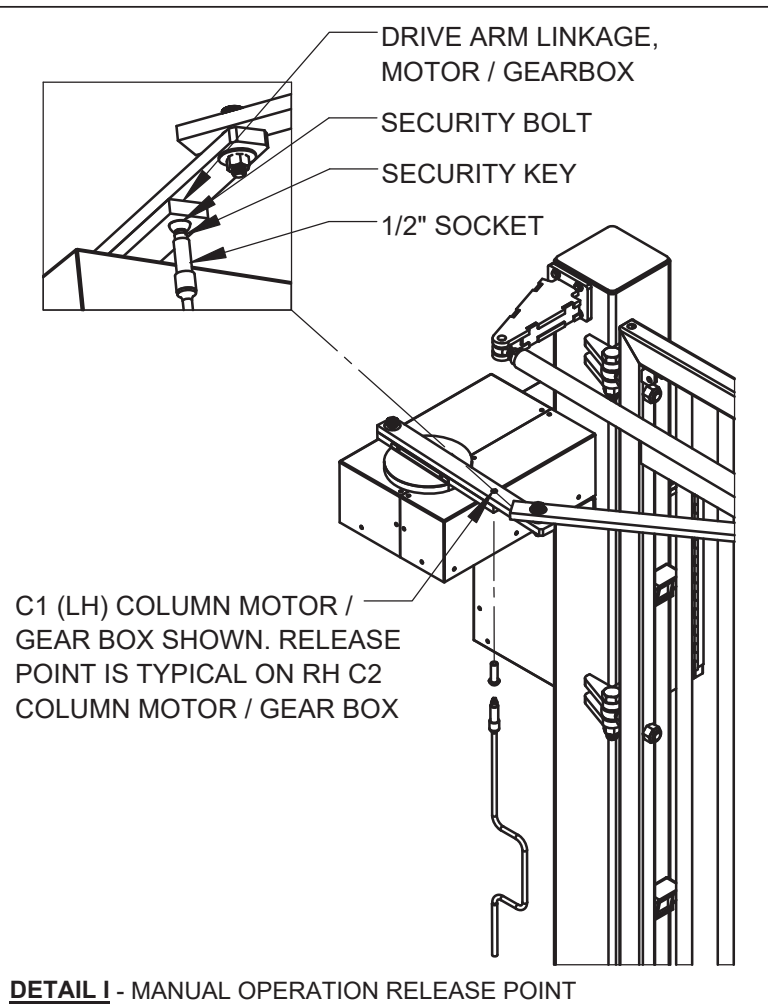
Drawing No. **FSXT-01-30-19**

Rev. Sheet:
2 of 6

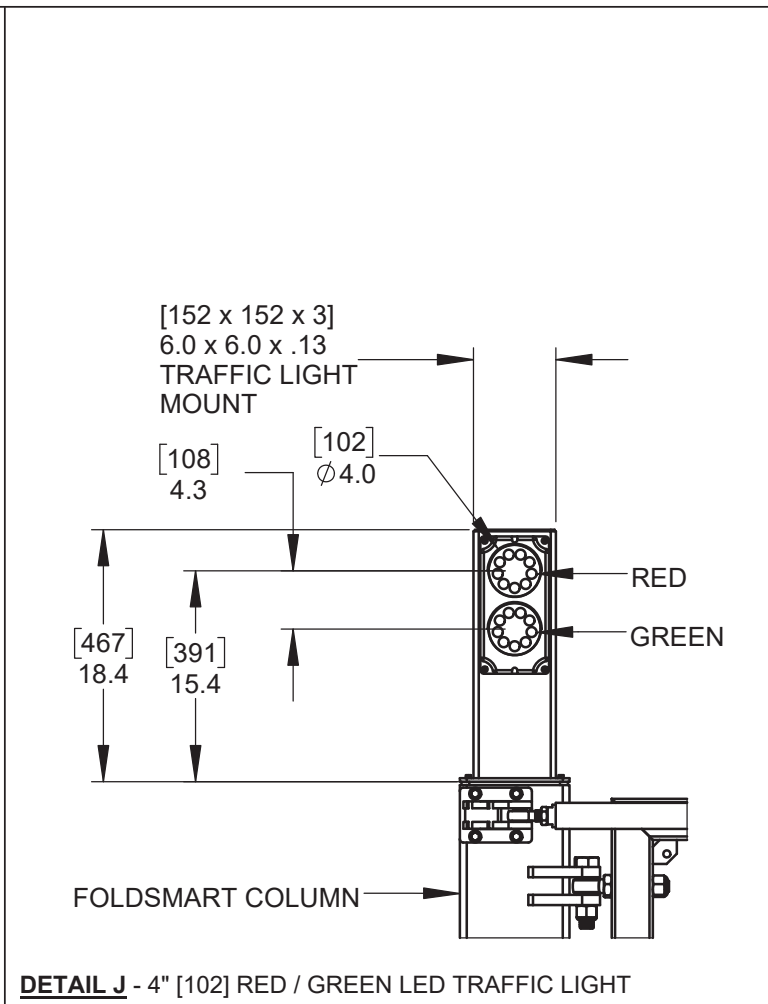
115 Lowson Crescent
Winnipeg, Manitoba, Canada, R3P 1A6
Phone: 1-866-300-1110
Fax: 1-204-284-1868
Web: www.wallaceperimetersecurity.com



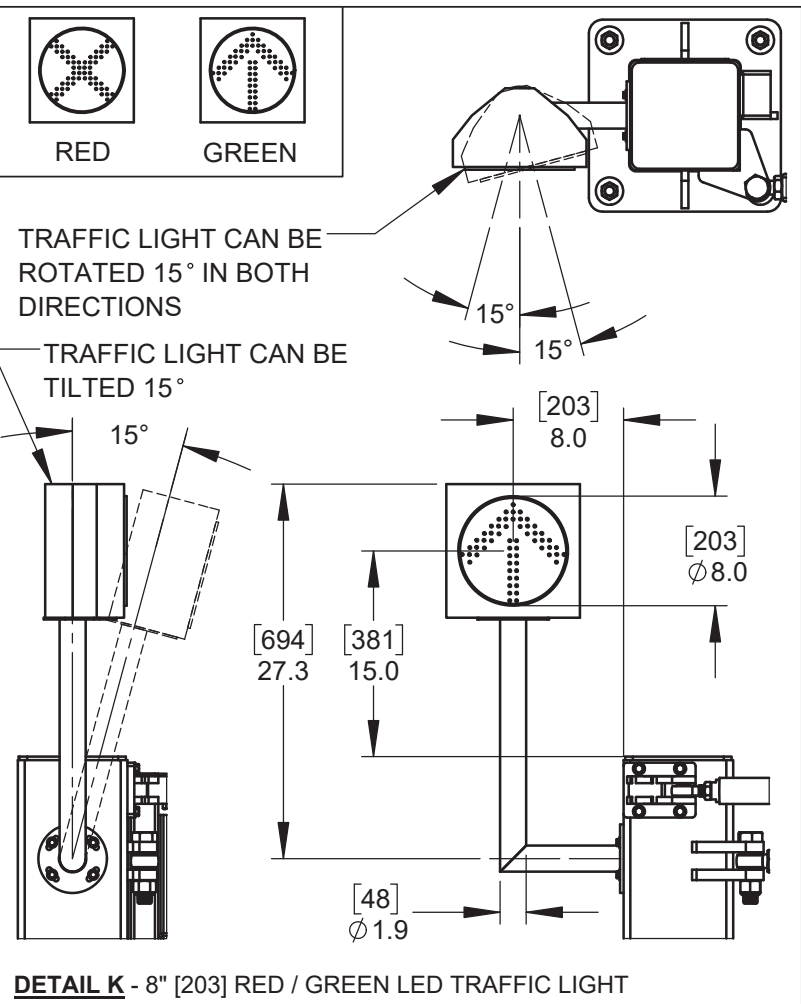
DETAIL H - PHOTOCELLS



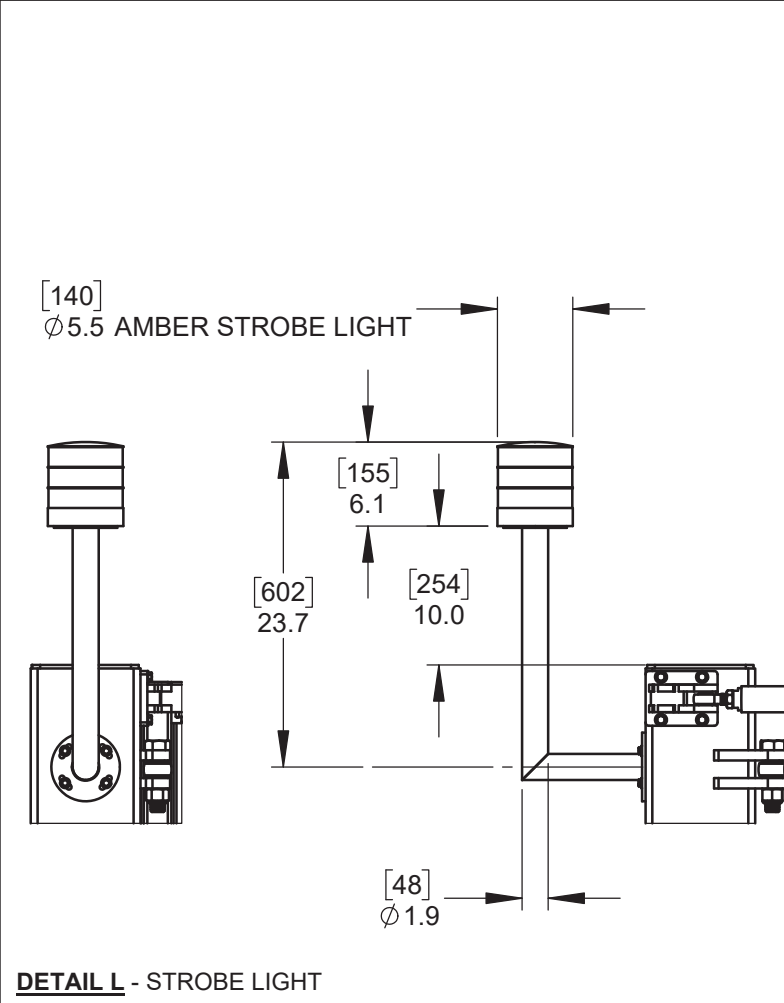
DETAIL I - MANUAL OPERATION RELEASE POINT



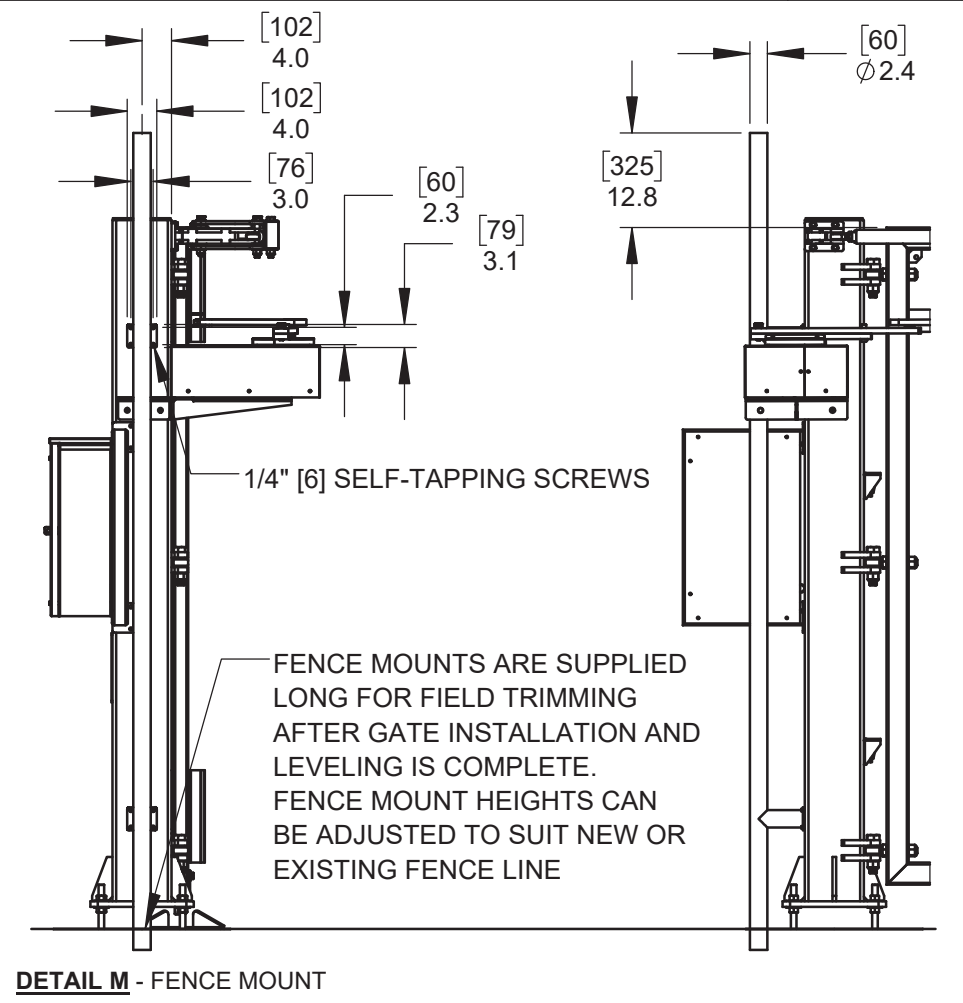
DETAIL J - 4" [102] RED / GREEN LED TRAFFIC LIGHT



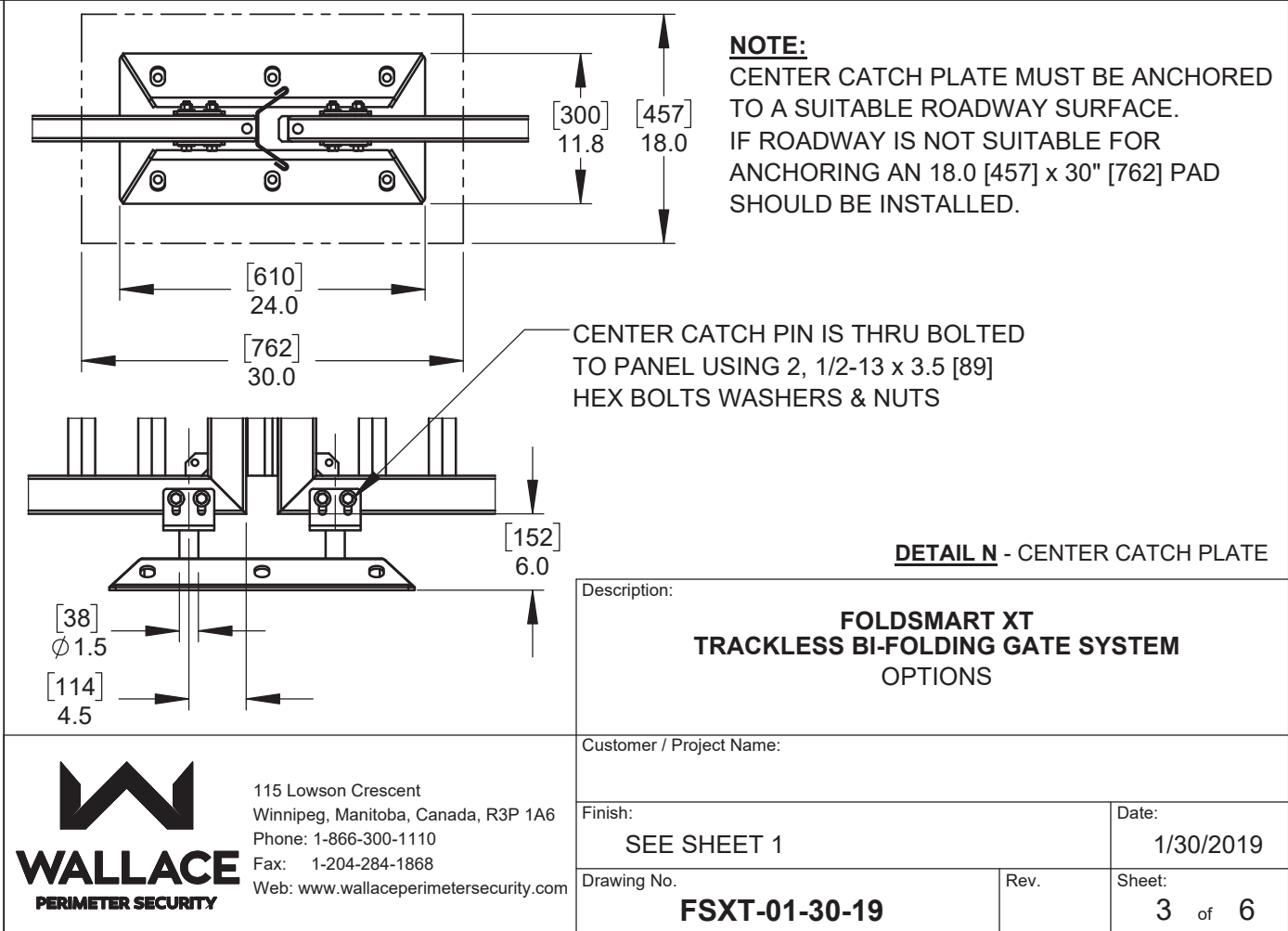
DETAIL K - 8" [203] RED / GREEN LED TRAFFIC LIGHT



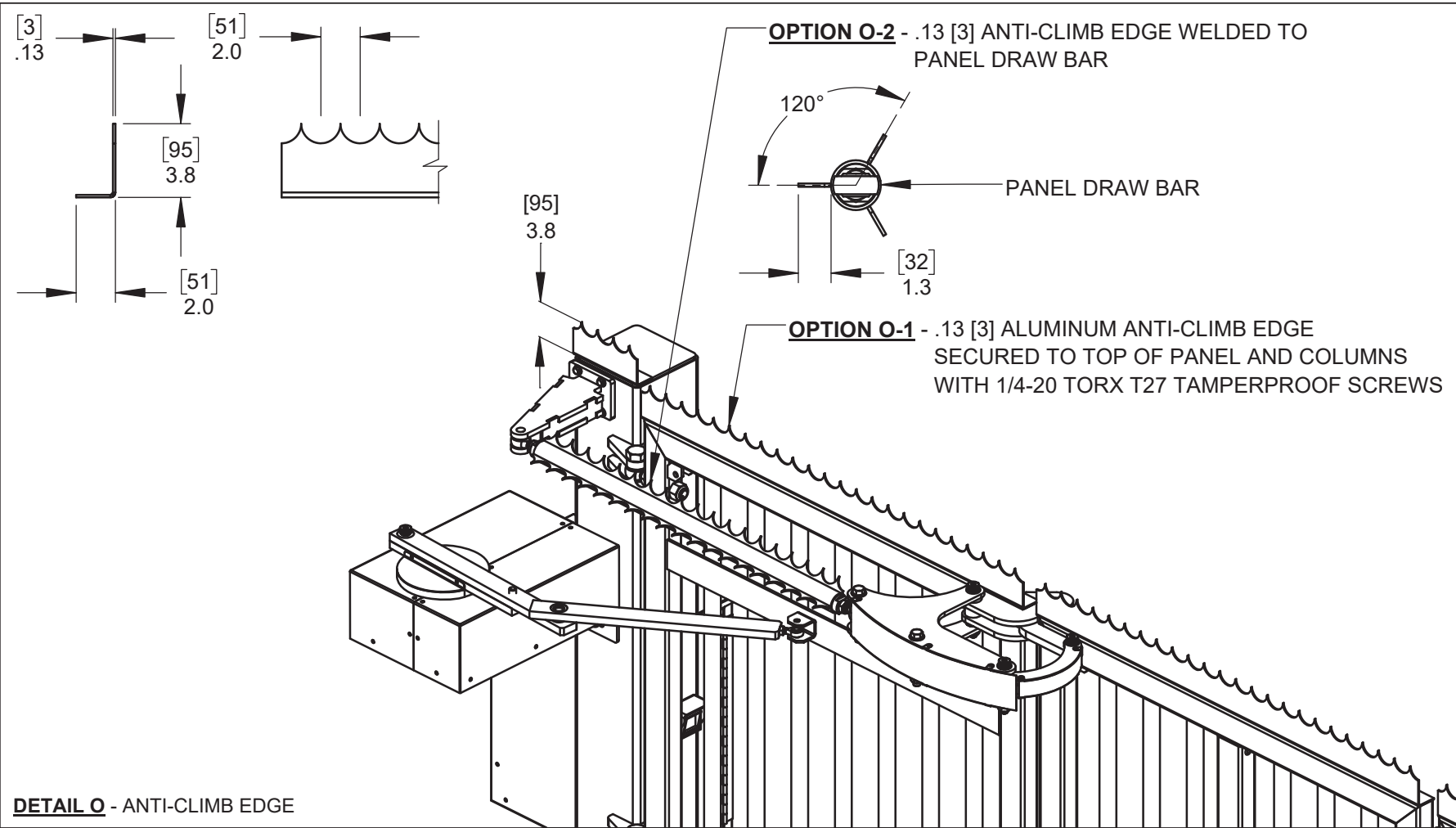
DETAIL L - STROBE LIGHT



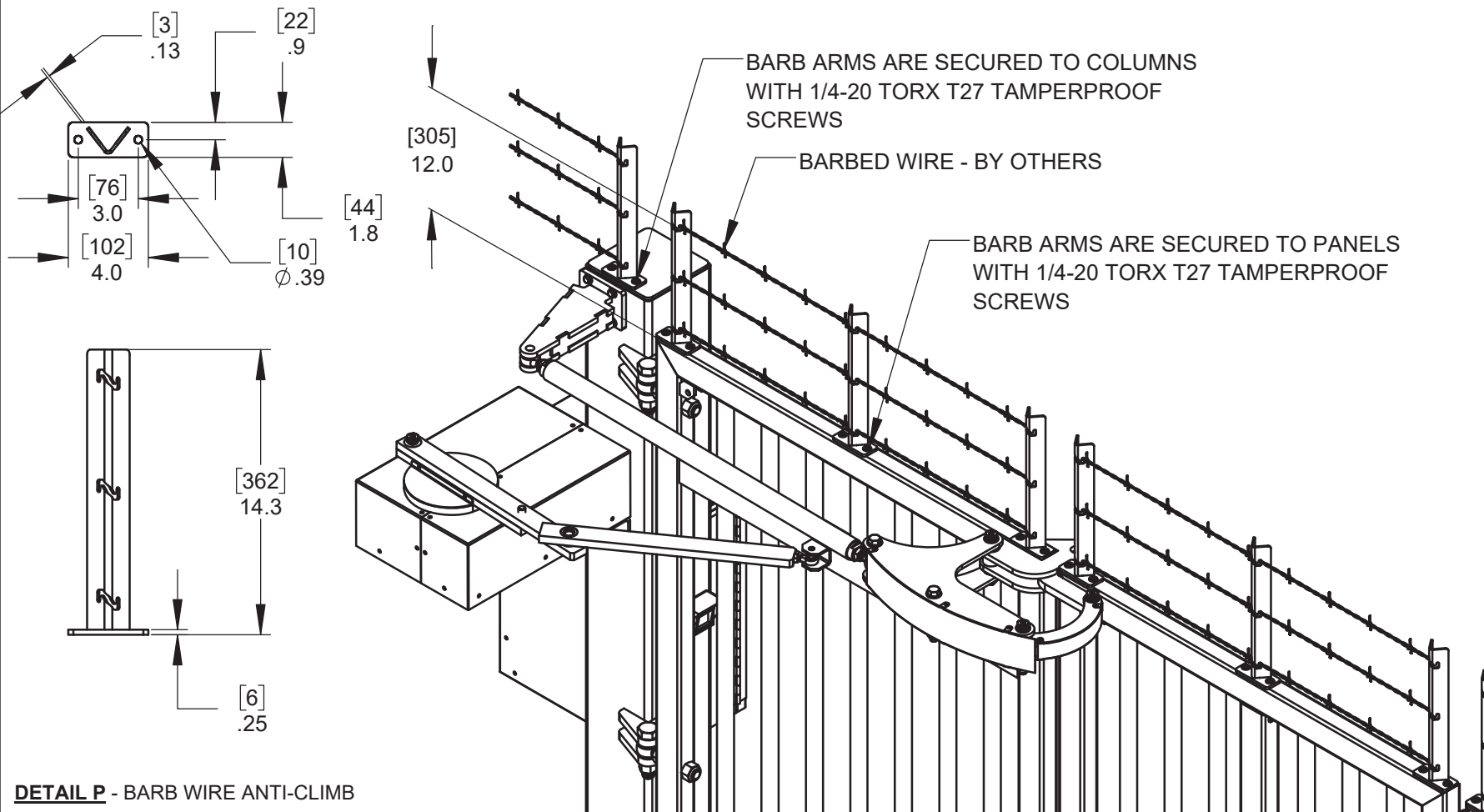
DETAIL M - FENCE MOUNT



115 Lowson Crescent
Winnipeg, Manitoba, Canada, R3P 1A6
Phone: 1-866-300-1110
Fax: 1-204-284-1868
Web: www.wallaceperimetersecurity.com



DETAIL O - ANTI-CLIMB EDGE

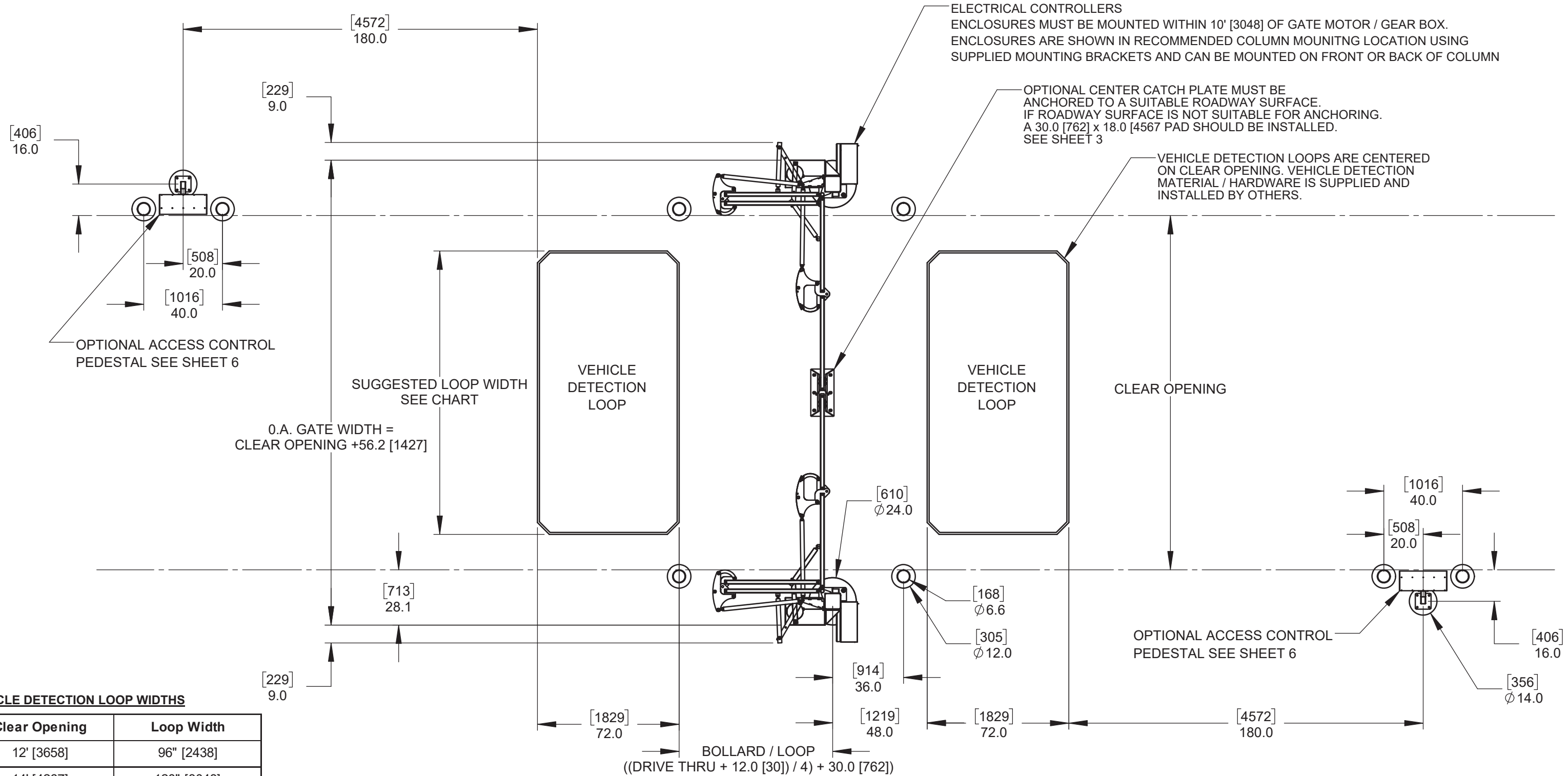


DETAIL P - BARB WIRE ANTI-CLIMB

Description:		FOLDSMART XT TRACKLESS BI-FOLDING GATE SYSTEM OPTIONS	
Customer / Project Name:			
Finish:	SEE SHEET 1	Date:	1/30/2019
Drawing No.	FSXT-01-30-19	Rev.	Sheet: 4 of 6

WALLACE
PERIMETER SECURITY

115 Lowson Crescent
Winnipeg, Manitoba, Canada, R3P 1A6
Phone: 1-866-300-1110
Fax: 1-204-284-1868
Web: www.wallaceperimetersecurity.com



VEHICLE DETECTION LOOP WIDTHS

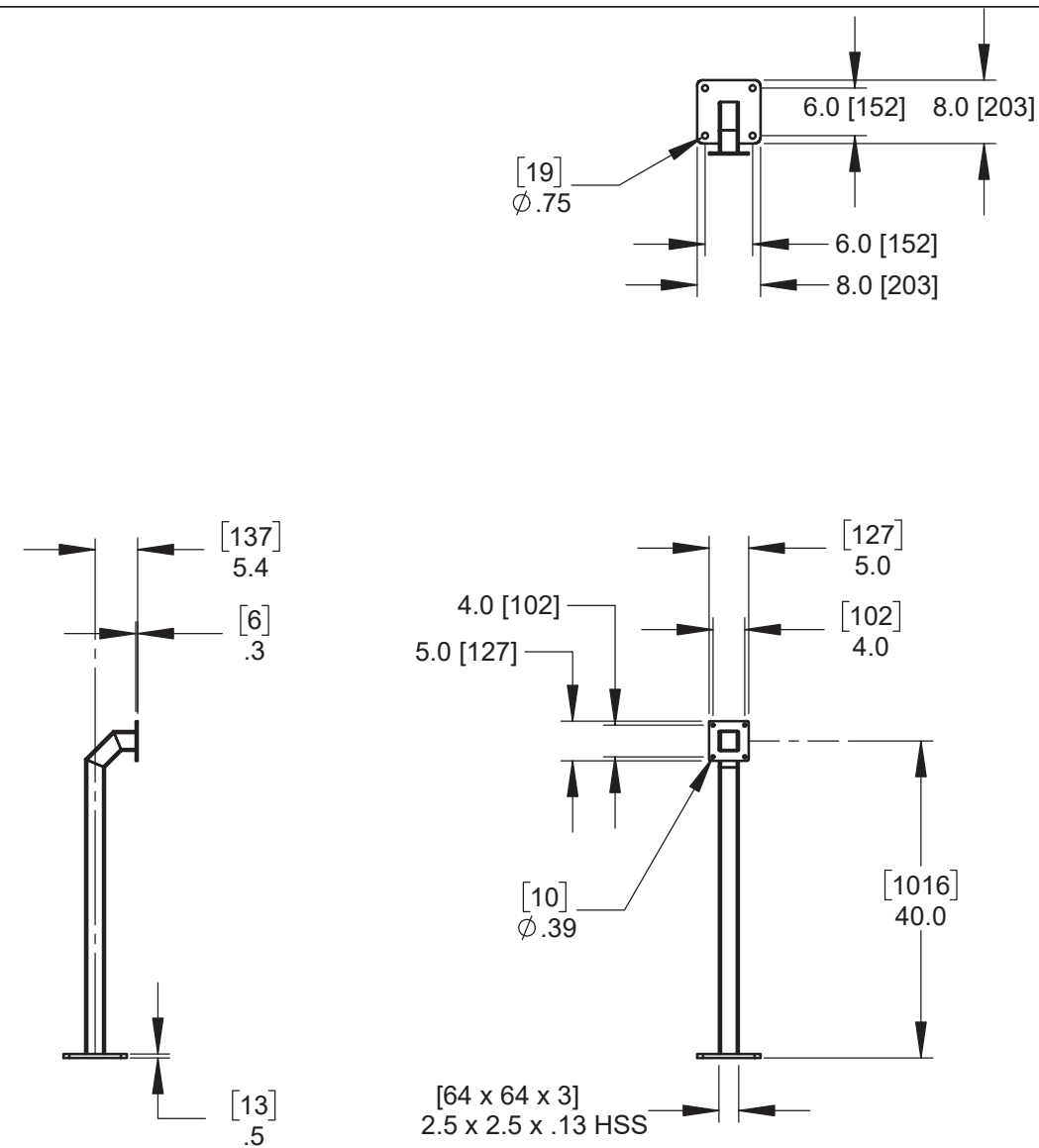
Clear Opening	Loop Width
12' [3658]	96" [2438]
14' [4267]	120" [3048]
16' [4877]	144" [3658]
18' [5486]	168" [4267]
20' [6096]	192" [4877]
22' [6706]	216" [5486]
24' [7315]	240" [6096]
26' [7925]	264" [6706]
28' [8534]	288" [7315]
30' [9144]	312" [7925]

NOTE:
BOLLARDS ARE SHOWN AS A REFERENCE ONLY. ALL FINAL DIMENSIONS AND MATERIALS ARE SUPPLIED AND INSTALLED BY OTHERS

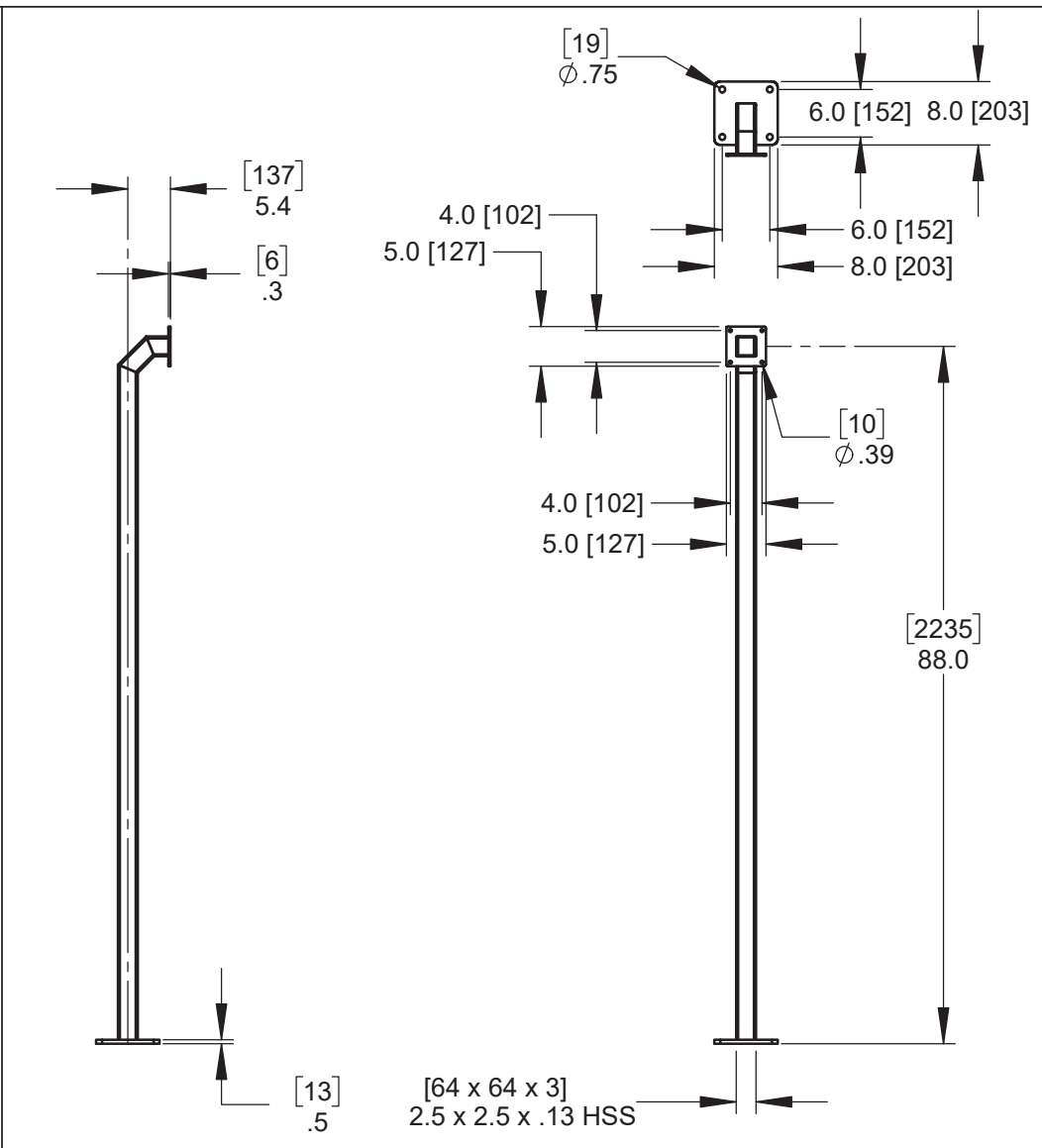


115 Lawson Crescent
Winnipeg, Manitoba, Canada, R3P 1A6
Phone: 1-866-300-1110
Fax: 1-204-284-1868
Web: www.wallaceperimetersecurity.com

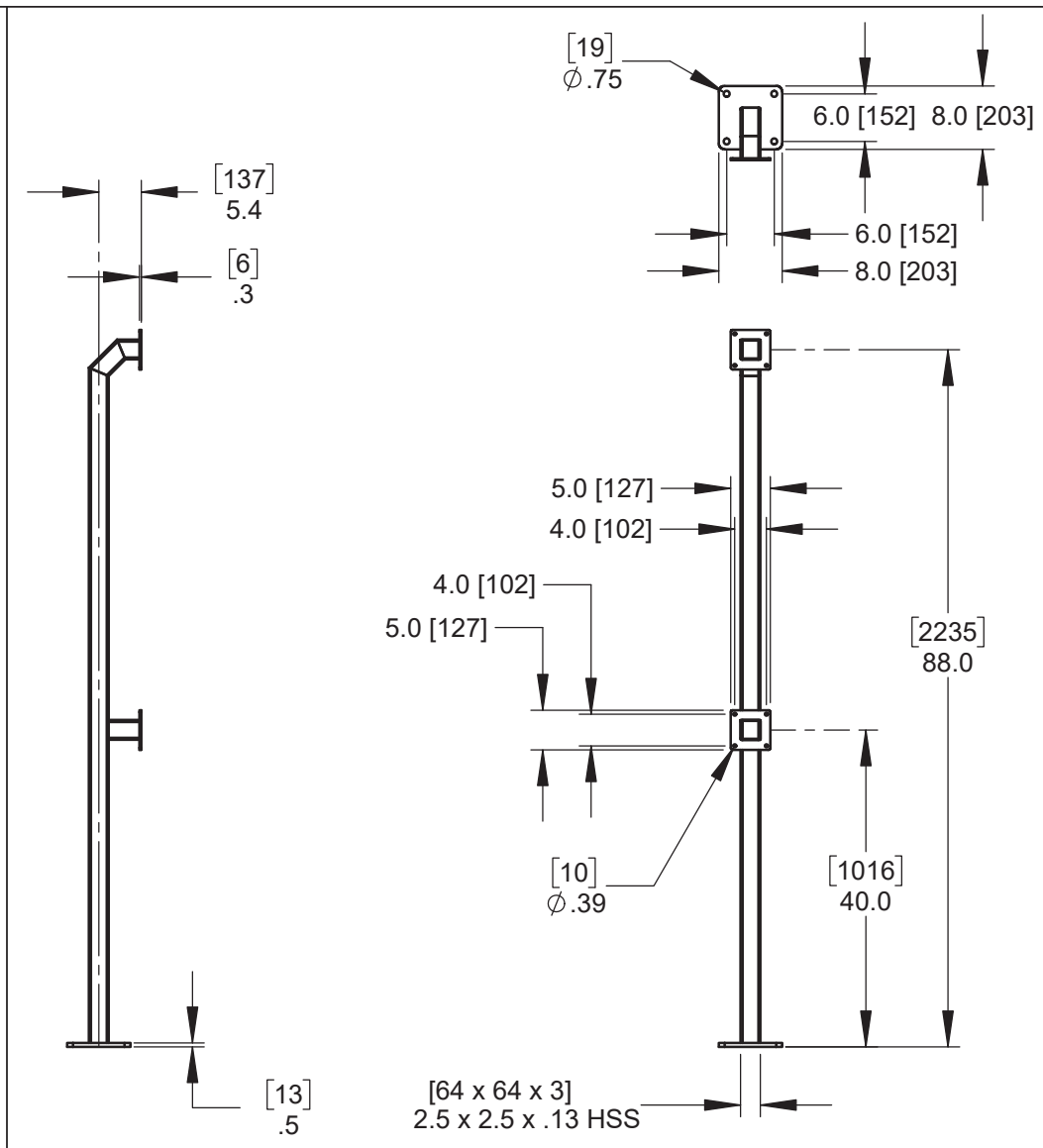
Description: FOLDSMART XT TRACKLESS BI-FOLDING GATE SYSTEM GENERIC SITE LAYOUT	
Customer / Project Name:	
Finish: SEE SHEET 1	Date: 1/30/2019
Drawing No. FSXT-01-30-19	Rev. Sheet: 5 of 6



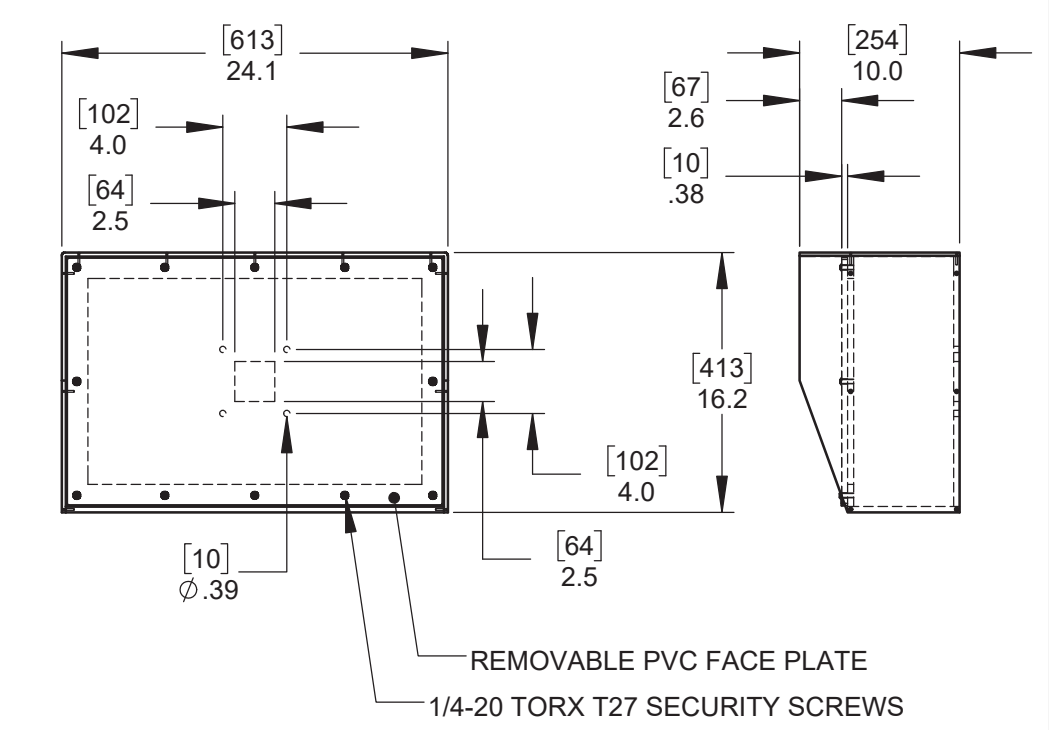
DETAIL Q-1 - SINGLE HEIGHT PEDESTAL STAND 40.0" [1016]



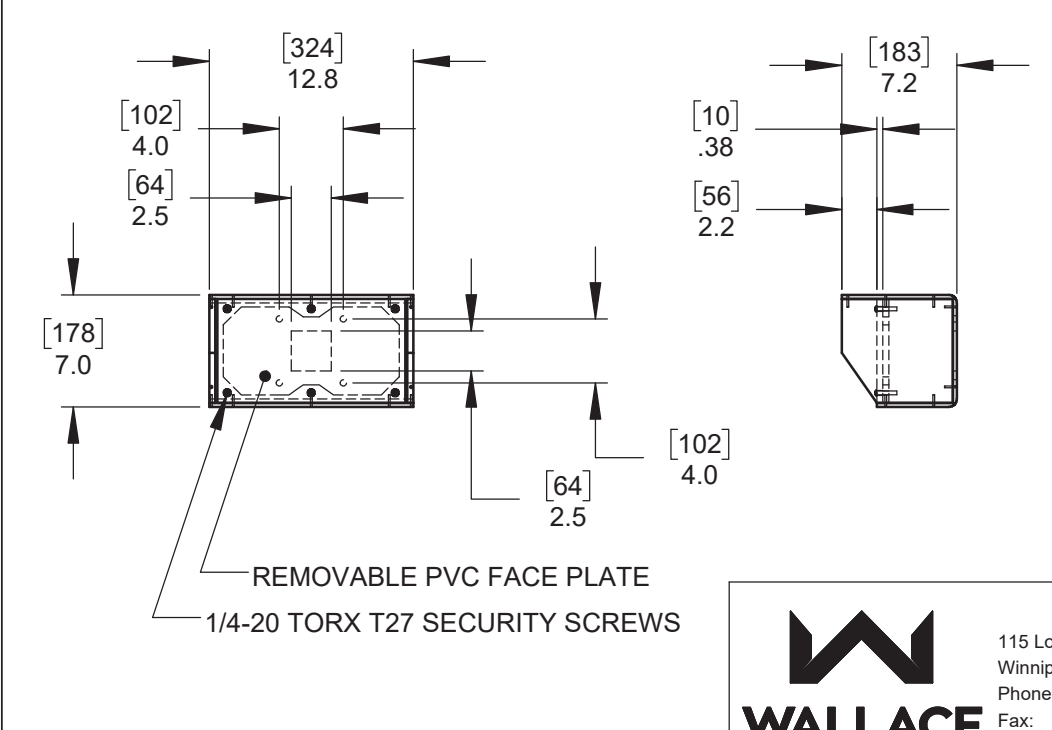
DETAIL Q-2 - SINGLE HEIGHT PEDESTAL STAND 88.0" [2235]



DETAIL Q-3 - DUAL HEIGHT PEDESTAL STAND 40.0" [1016] / 88.0" [2235]



DETAIL R-1 - LARGE POLYCARBONATE PEDESTAL HEAD



DETAIL R-2 - SMALL POLYCARBONATE PEDESTAL HEAD

115 Lowson Crescent
Winnipeg, Manitoba, Canada, R3P 1A6
Phone: 1-866-300-1110
Fax: 1-204-284-1868
Web: www.wallaceperimetersecurity.com

Description: FOLDSMART XT TRACKLESS BI-FOLDING GATE SYSTEM OPTIONAL ACCESS CONTROL PEDESTALS		
Customer / Project Name:		
Finish:	Date:	1/30/2019
Drawing No. FSXT-01-30-19	Rev.	Sheet: 6 of 6