

GATE CONTROLLER IS MOUNTED IN A 24" [610] x 20" [508] x 8" [203] NEMA 3R ENCLOSURE. ENCLOSURE MUST BE MOUNTED WITHIN 10' [3048] OF GATE OPERATOR. ENCLOSURE IS SHOWN IN RECOMMENDED COLUMN MOUNTING LOCATION USING SUPPLIED BRACKET. **POWER REQUIREMENTS: 115 / 230 VAC, SINGLE PHASE, 20A**

CATCH COLUMN PHOTOEYE

6' [1829] + 0.0  
8' [2438] - 2.3 [58]  
10' [3048]

VERTICAL PANEL CATCH

PRIMARY COLUMN PHOTOEYE

**SECTION B-B**

**SECTION A-A**

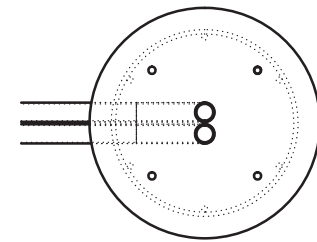
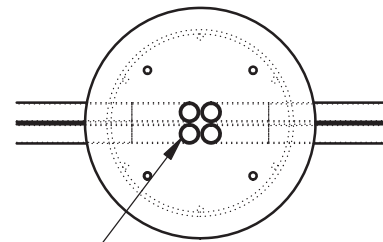
**NOTE**  
GATE IS PREPARED FOR FIELD INSTALLATION OF SENSING EDGES PER UL UPDATE

DIMENSIONS ARE SHOWN INCHES, DIMENSIONS SHOWN IN [ ] ARE IN MILLIMETERS, UNLESS OTHERWISE NOTED.

**FINISH NOTES:**  
- STANDARD FINISH: HOT DIPPED GALVANIZED.  
- OPTIONAL FINISH: POWDER COAT PAINT, CUSTOM COLORS AVAILABLE.  
RAL # MUST BE SPECIFIED AT TIME OF ORDER.

115 Lowson Crescent  
Winnipeg, Manitoba, Canada, R3P 1A6  
Phone: 1-866-300-1110  
Fax: 1-204-284-1868  
Web: www.wallaceperimetersecurity.com

Description: <b>FOLDSMART XT, 2-FOLD (C1) TRACKLESS BI-FOLDING GATE SYSTEM STANDARD DIMENSIONS</b>		
Customer:		
Finish: <b>SEE FINISH NOTES</b>	Date: <b>3/27/2025</b>	
Drawing No. <b>FSXT-2FC1-03-22-24</b>	Rev.	Sheet: <b>1 of 5</b>

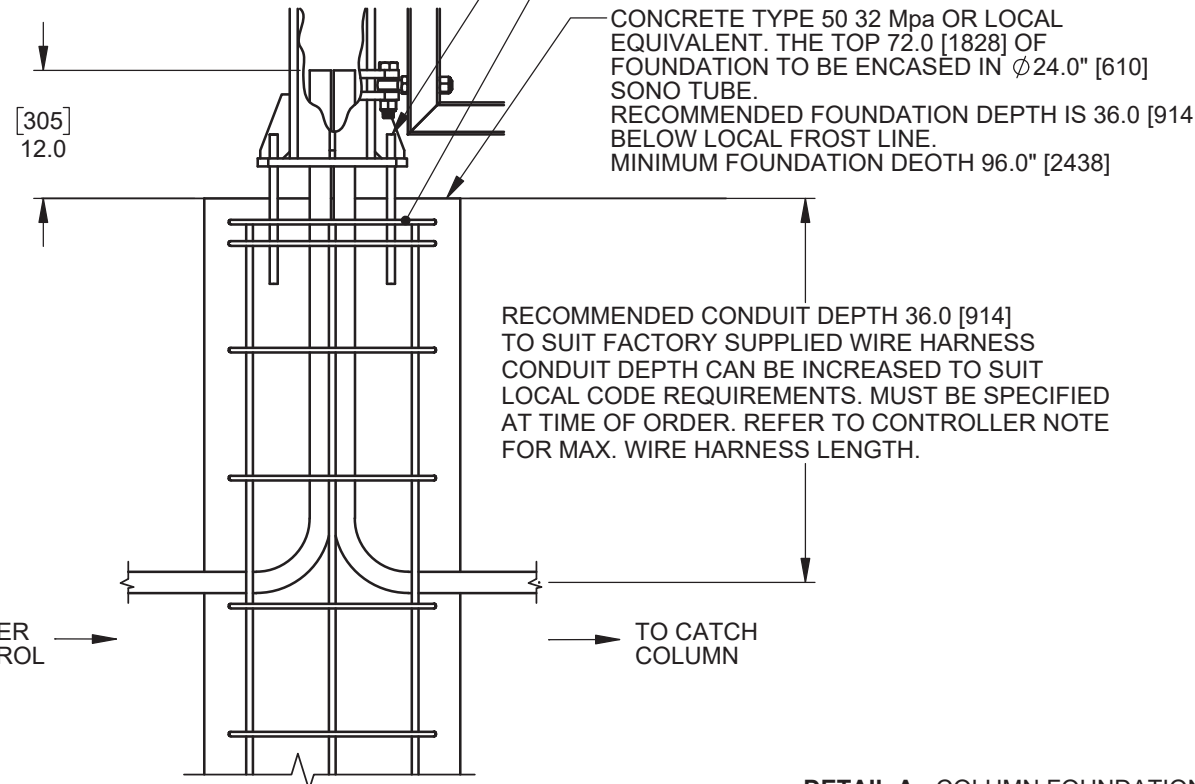


4 PCES. 1" [25] CONDUIT - BY OTHERS  
2 IN PRIMARY COLUMN, FROM INCOMING  
POWER SUPPLY / ACCESS CONTROL.  
2 IN SECONDARY COLUMN FROM PRIMARY  
COLUMN.

.75" [19] HILTI HAS 5.8 x 14" [356] ANCHOR BOLTS  
ADHESIVE: HILTI HVU OR APPROVED EQUIVALENT.

REINFORCING STEEL:  
10M Ø 19 [493] REBAR RINGS SPACED @ 12 [305] O/C  
DOUBLE RINGS AT TOP. 8 - 15M REBAR VERTICALS

CONCRETE TYPE 50 32 Mpa OR LOCAL  
EQUIVALENT. THE TOP 72.0 [1828] OF  
FOUNDATION TO BE ENCASED IN Ø24.0" [610]  
SONO TUBE.  
RECOMMENDED FOUNDATION DEPTH IS 36.0 [914]  
BELOW LOCAL FROST LINE.  
MINIMUM FOUNDATION DEPTH 96.0" [2438]

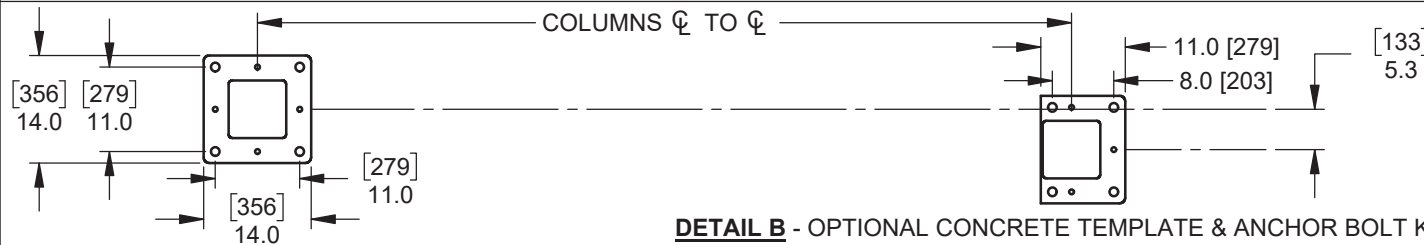


RECOMMENDED CONDUIT DEPTH 36.0 [914]  
TO SUIT FACTORY SUPPLIED WIRE HARNESS  
CONDUIT DEPTH CAN BE INCREASED TO SUIT  
LOCAL CODE REQUIREMENTS. MUST BE SPECIFIED  
AT TIME OF ORDER. REFER TO CONTROLLER NOTE  
FOR MAX. WIRE HARNESS LENGTH.

INCOMING POWER  
/ ACCESS CONTROL

TO CATCH  
COLUMN

**DETAIL A - COLUMN FOUNDATIONS**



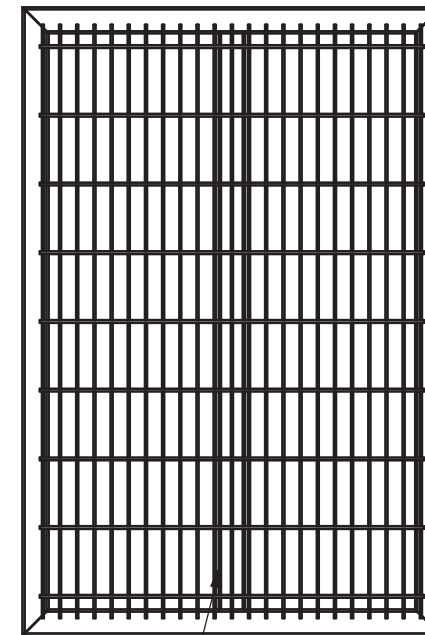
**DETAIL B - OPTIONAL CONCRETE TEMPLATE & ANCHOR BOLT KIT**

**INCLUDED WITH FOLDSMART**

- 1 - ELECTRICAL CONTROLLER MOUNTED IN A 24" [610] x 20" [508] x 8" [203] NEMA 3R ENCLOSURE.
- KEY FOR MANUAL PANEL RELEASE

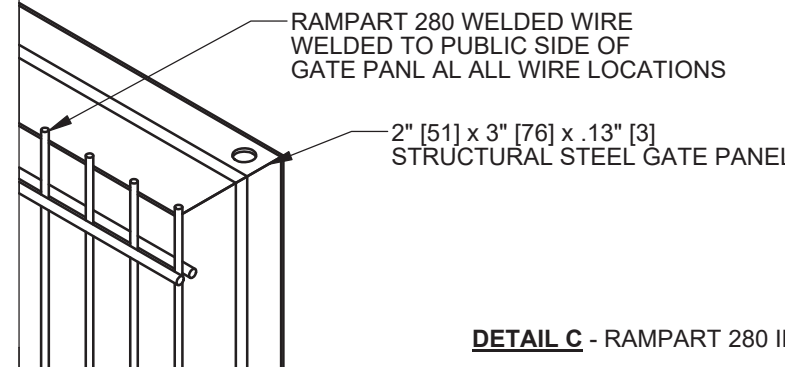
**OPTIONS:**

- CONCRETE TEMPLATE & ANCHOR BOLT KIT
- VEHICLE DETECTION LOOP RELAYS
- VEHICLE DETECTION LOOPS, DIRECT BURIAL OR SAW CUT
- SURFACE MOUNTED CENTER CATCH
- 4" [102] RED / GREEN LED TRAFFIC LIGHT
- 5" AMBER LOW PROFILE STROBE LIGHT
- ANTI - CLIMB
- BARBED WIRE
- PANEL EXTENSIONS
- ACCESS CONTROL PEDESTALS
- BOLLARDS / BOLLARD COVERS



PANELS HAVE AN ADDITIONAL  
3.0 [76] x 2.0 [51] x .13 [3] HSS  
VERTICAL MEMBR @ CENTERLINE  
OF PANEL

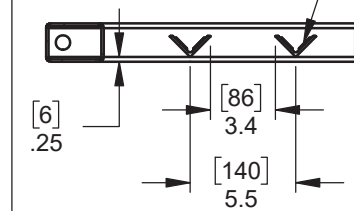
**DETAIL C2**



**DETAIL C - RAMPART 280 INFILL**

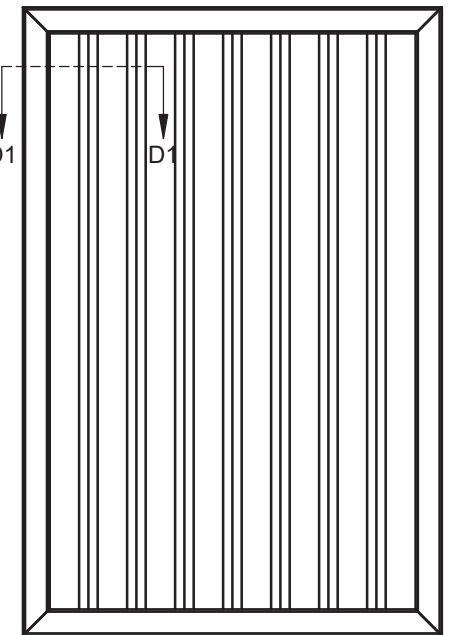
**DETAIL D1**

PICKETS ARE WELDED  
TO GATE PANEL ON  
INNER FACE OF PICKET



**PUBLIC SIDE**

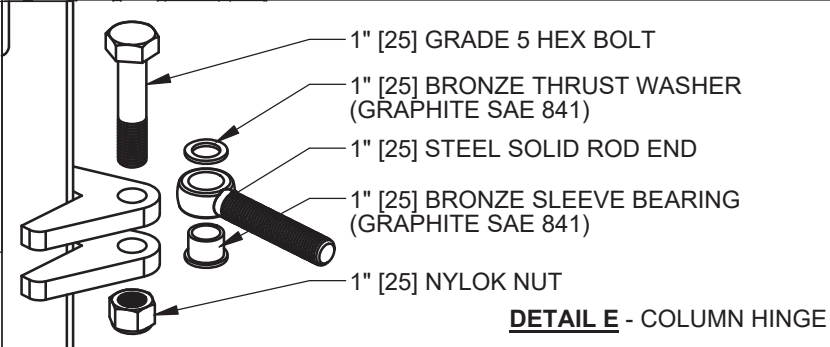
**DETAIL D2**



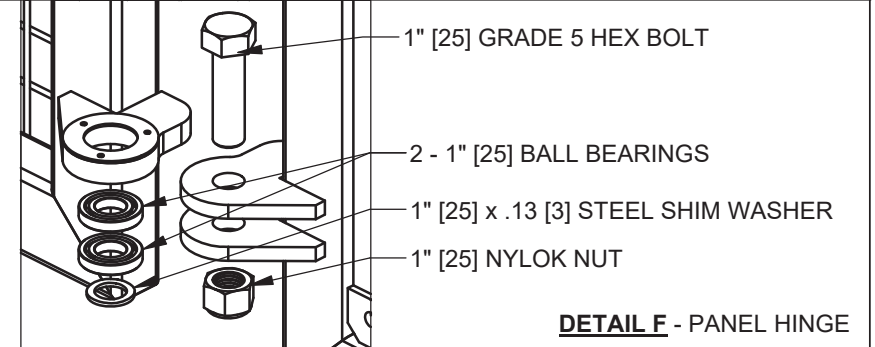
2" [51] x 3" [76] x .13" [3]  
STRUCTURAL STEEL GATE PANEL

1.5" [38] x 1.5" [38] x .13" [3]  
STRUCTURAL STEEL PICKET

**DETAIL D - VERTICAL PICKET INFILL**



**DETAIL E - COLUMN HINGE**

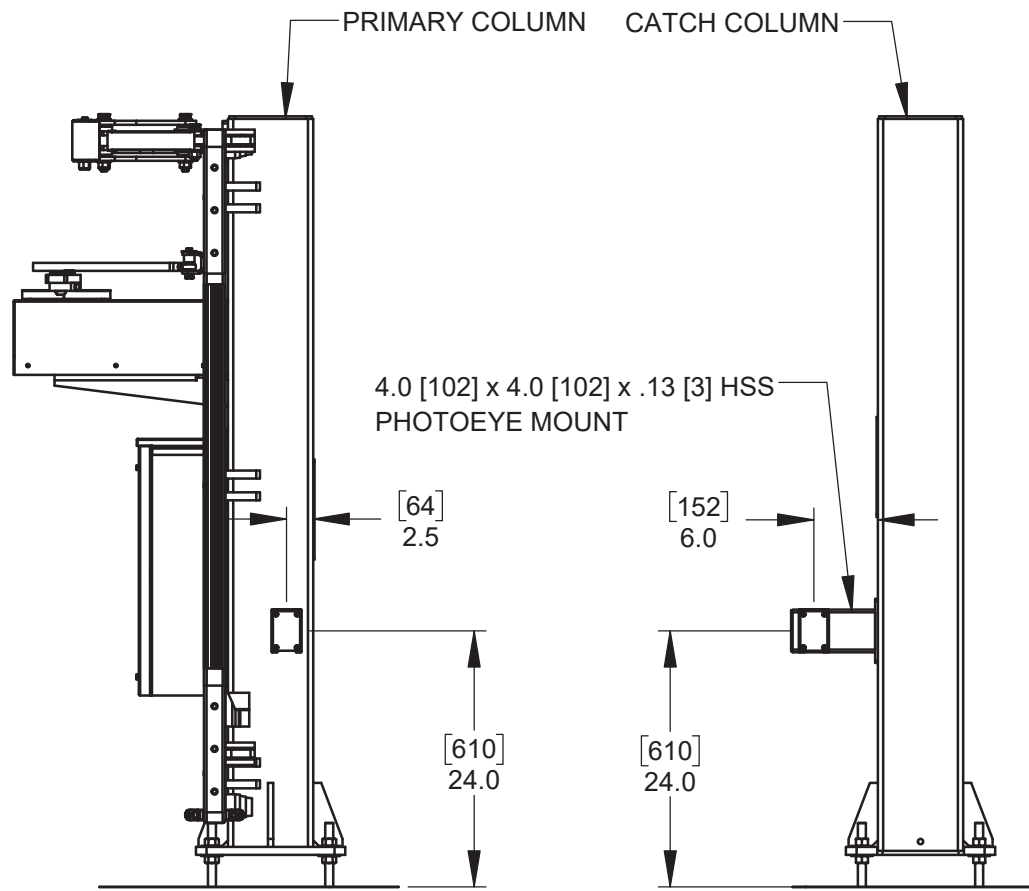


**DETAIL F - PANEL HINGE**

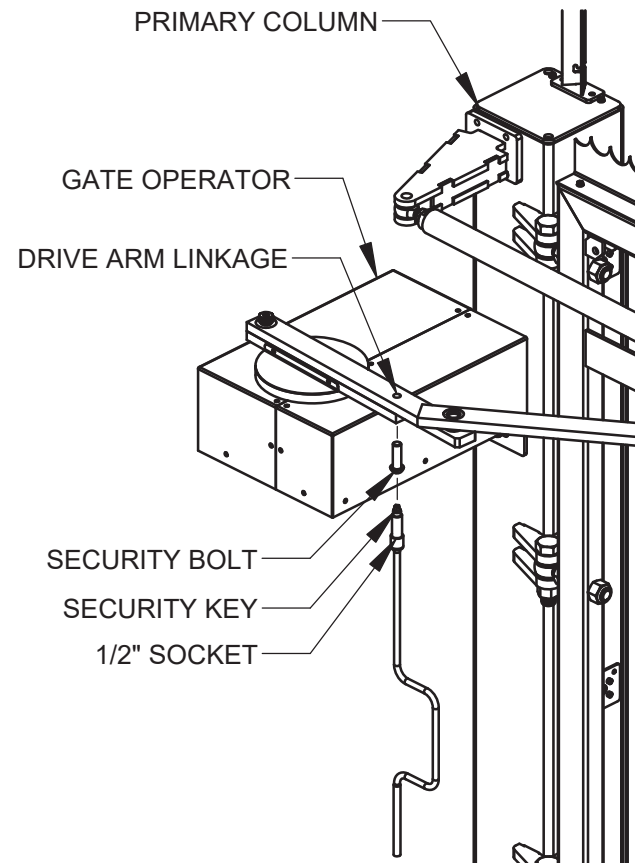
Description: <b>FOLDSMART XT, 2-FOLD (C1) TRACKLESS BI-FOLDING GATE SYSTEM</b>	
Customer:	
Finish: <b>SEE FINISH NOTES PAGE 1</b>	Date: <b>3/27/2025</b>
Drawing No. <b>FSXT-2FC1-03-22-24</b>	Rev. Sheet: <b>2 of 5</b>

115 Lawson Crescent  
Winnipeg, Manitoba, Canada, R3P 1A6  
Phone: 1-866-300-1110  
Fax: 1-204-284-1868  
Web: www.wallaceperimetersecurity.com

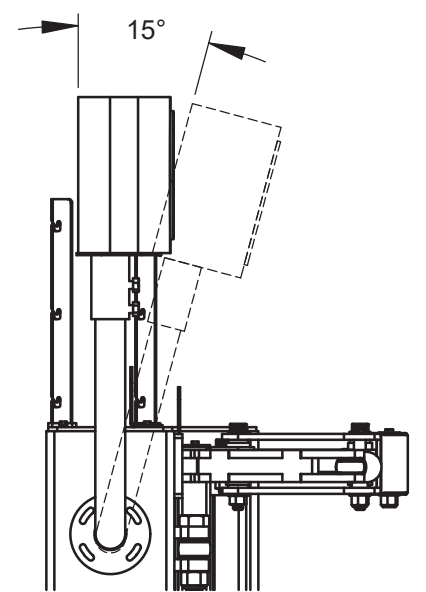
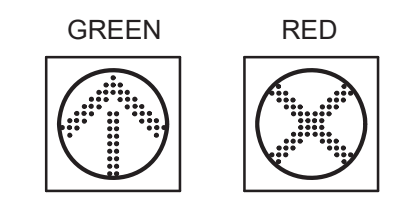
**DETAIL G - PHOTOEYES**



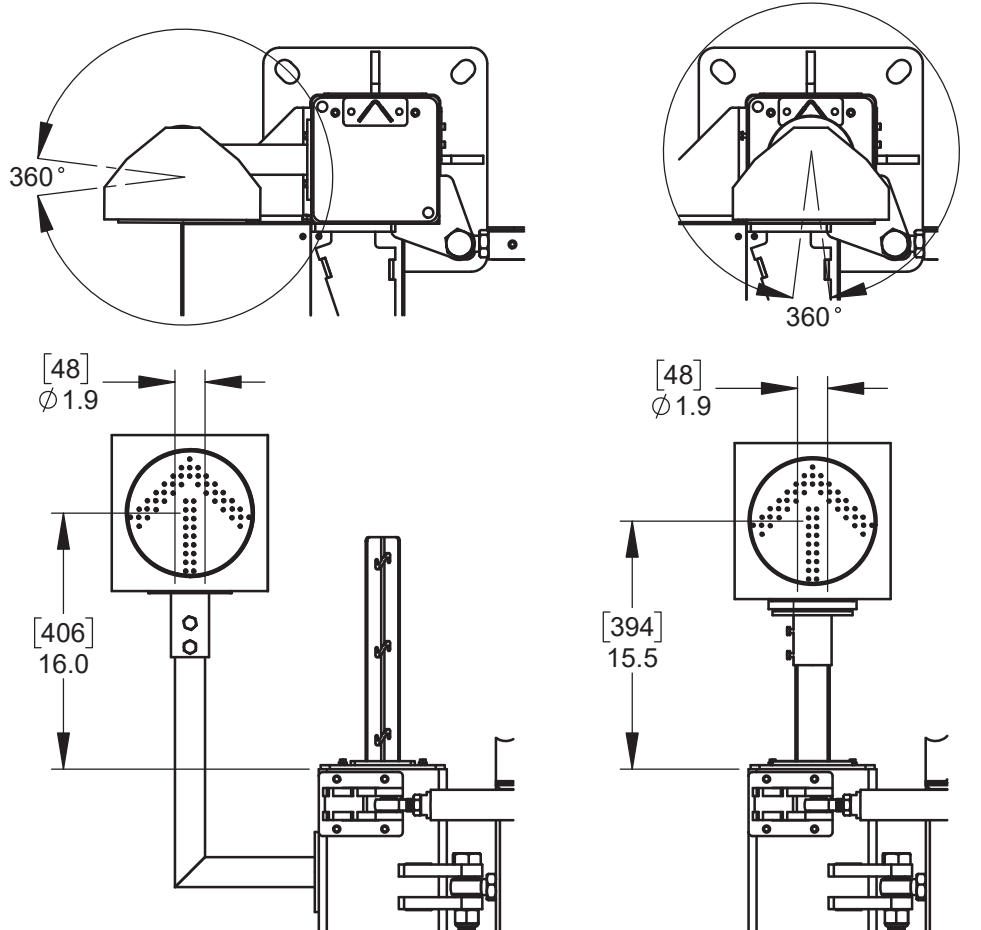
**DETAIL H - MANUAL OPERATION RELEASE**



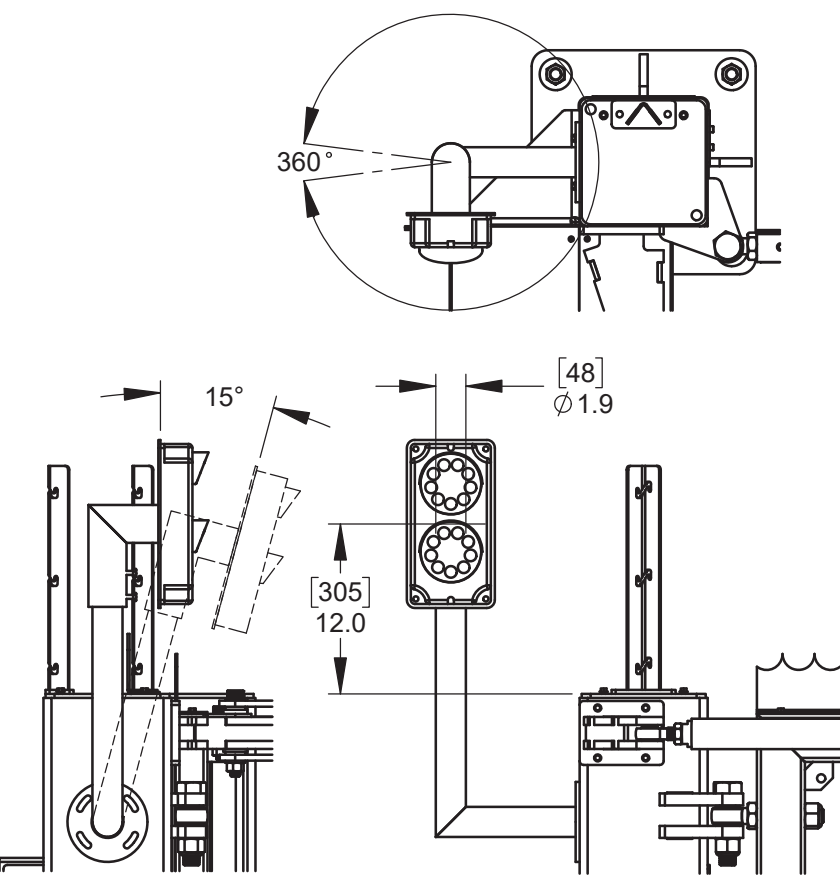
**DETAIL I1 - 8" [203] RED / GREEN LED TRAFFIC LIGHT (SIDE MOUNT)**



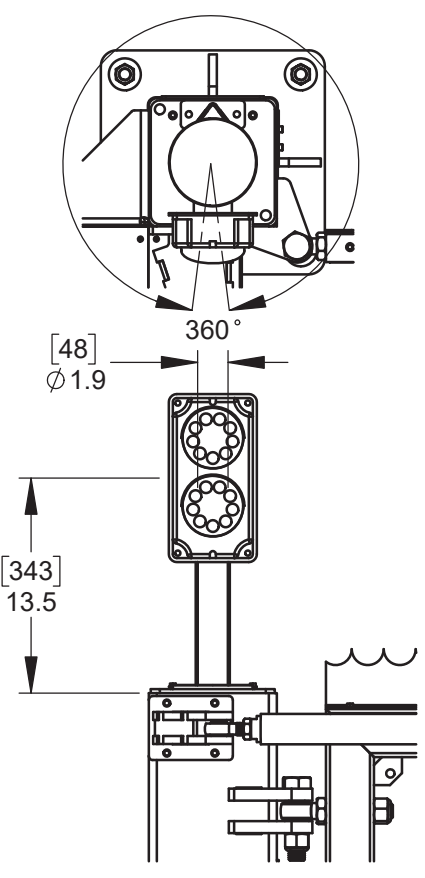
**DETAIL I2 - (TOP MOUNT)**



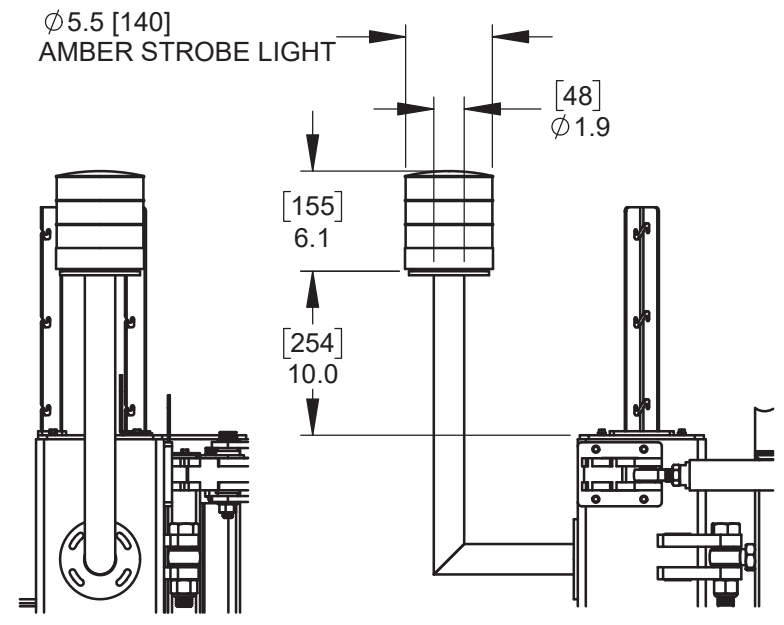
**DETAIL J1 - 4" [102] RED / GREEN LED TRAFFIC LIGHT (SIDE MOUNT)**



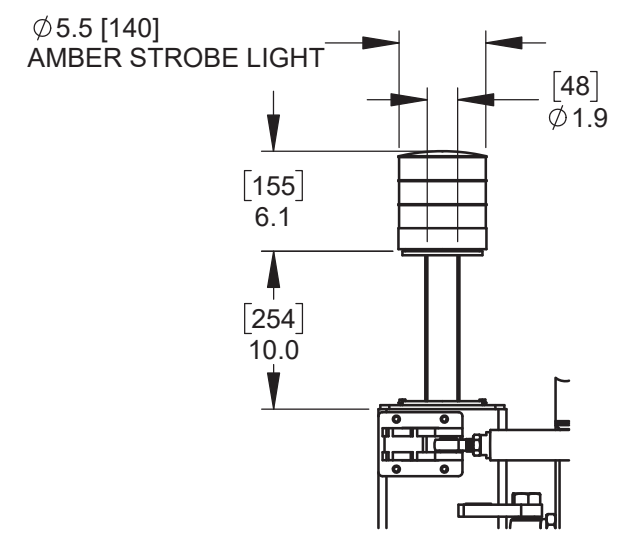
**DETAIL J2 - (TOP MOUNT)**



**DETAIL K1 - STROBE LIGHT (SIDE MOUNT)**



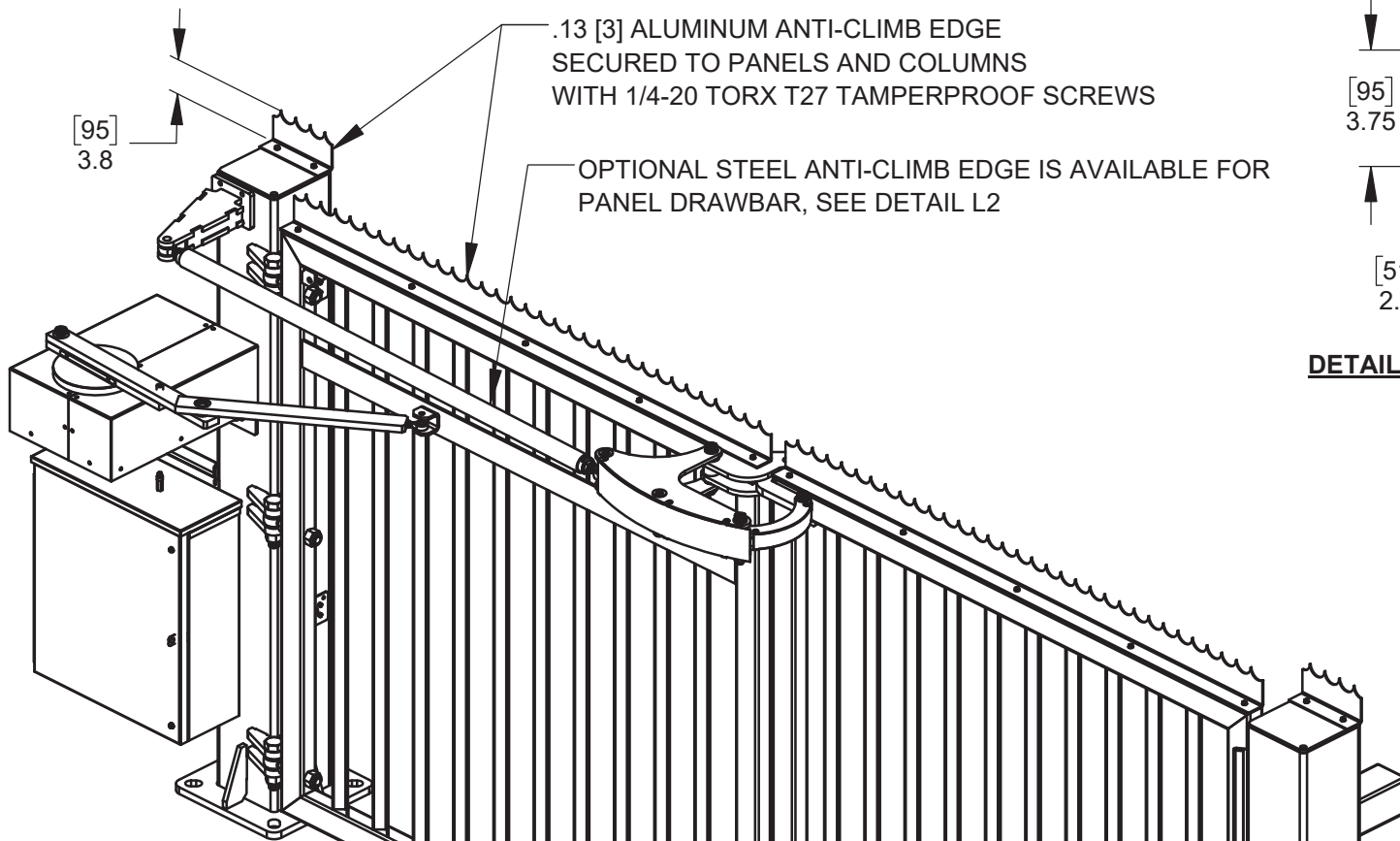
**DETAIL K2 - (TOP MOUNT)**



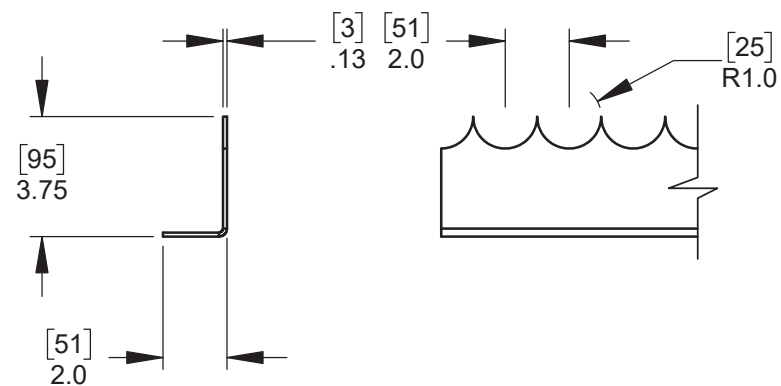
115 Lawson Crescent  
Winnipeg, Manitoba, Canada, R3P 1A6  
Phone: 1-866-300-1110  
Fax: 1-204-284-1868  
Web: www.wallaceperimetersecurity.com

Description: <b>FOLDSMART XT, 2-FOLD (C1) TRACKLESS BI-FOLDING GATE SYSTEM OPTIONS</b>	
Customer:	
Finish: <b>SEE FINISH NOTES</b>	Date: 3/27/2025
Drawing No. <b>FSXT-2FC1-03-22-24</b>	Rev.      Sheet: 3 of 5

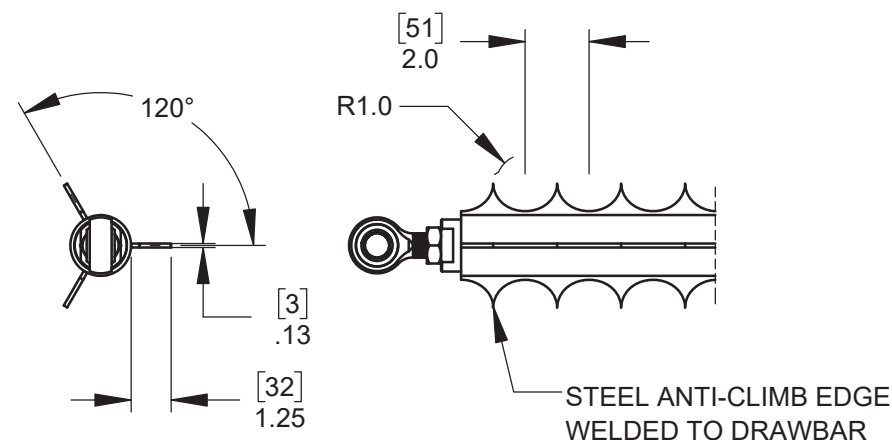
**DETAIL L - ALUMINUM ANTI-CLIMB EDGE**



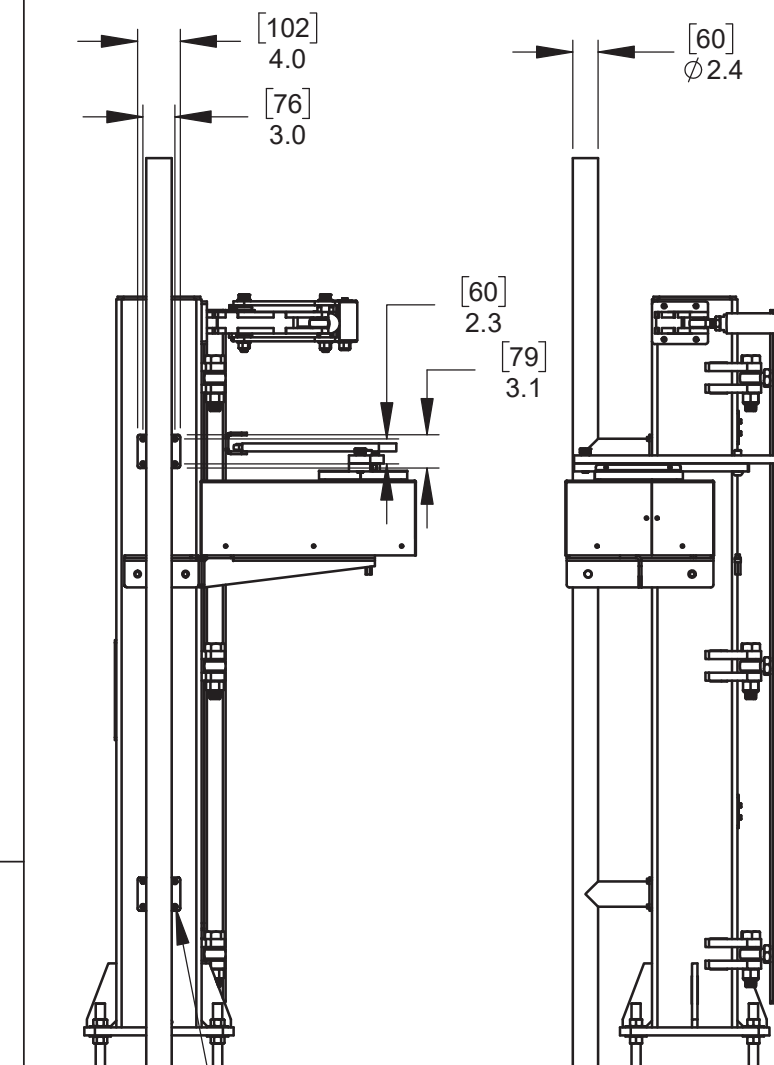
**DETAIL L1 - STANDARD PANEL / COLUMN ALUMINUM ANTI-CLIMB EDGE**



**DETAIL L2 - OPTIONAL DRAWBAR STEEL ANTI-CLIMB EDGE**



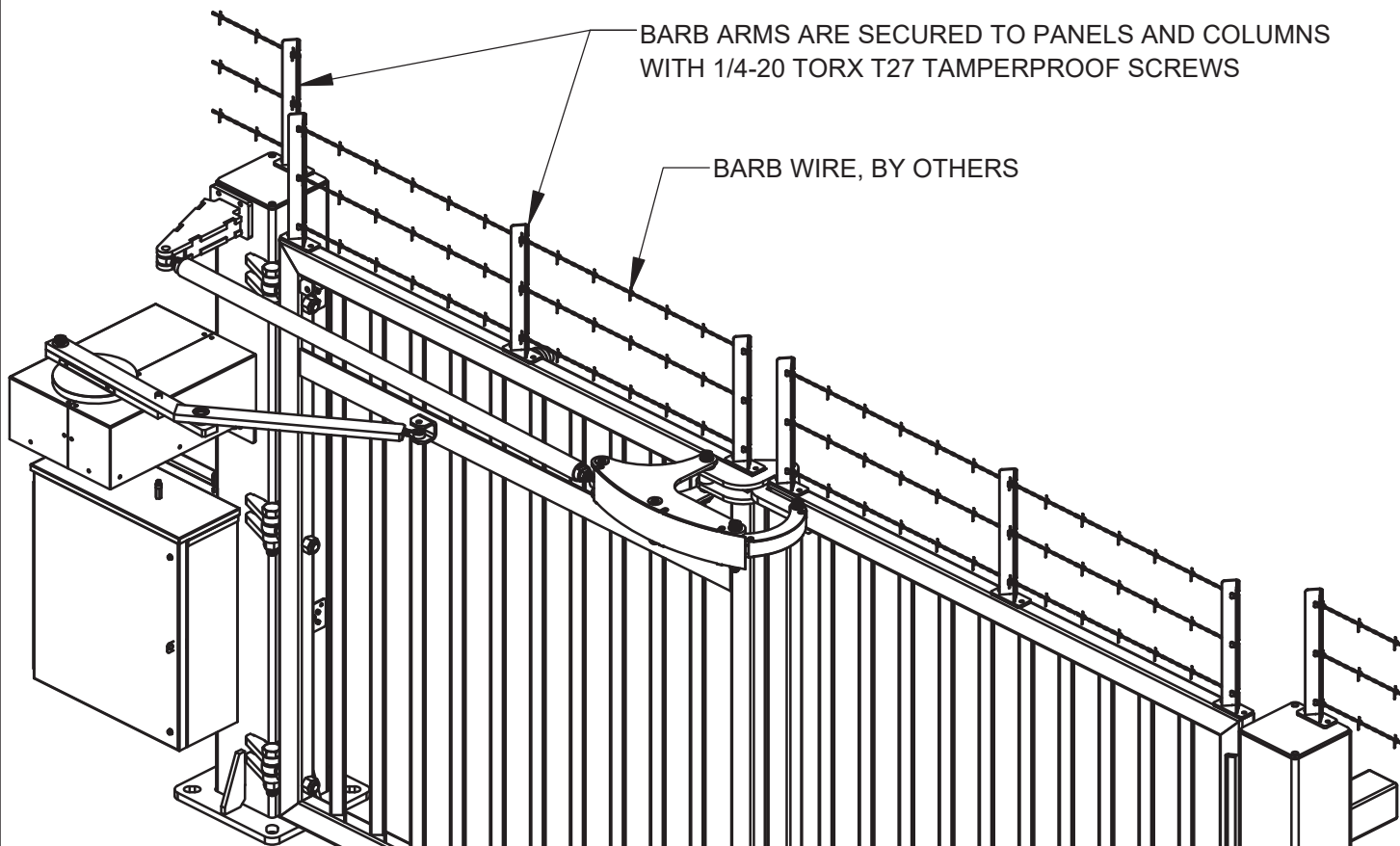
**DETAIL N - FENCE MOUNTS**



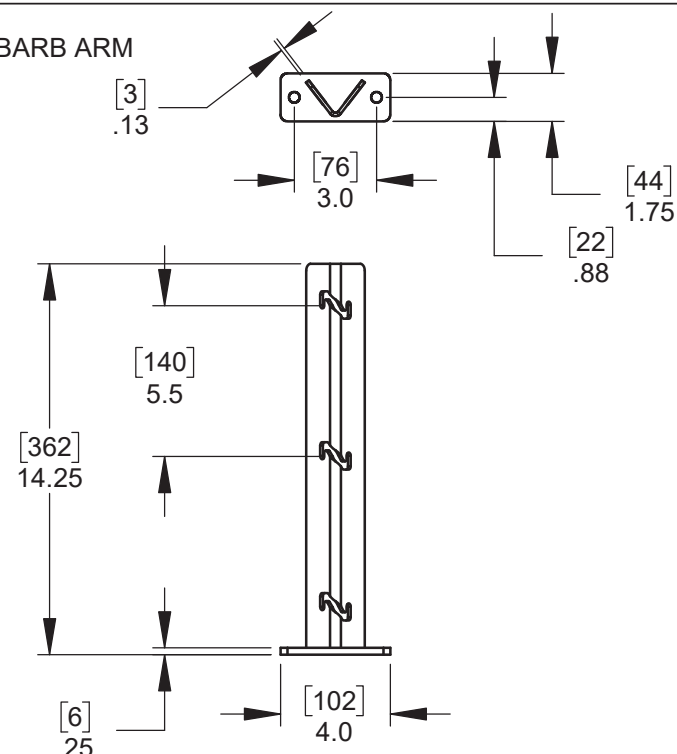
SECURED TO COLUMNS WITH 1/4-20 HEX BOLTS, WASHERS

FENCE MOUNTS ARE SUPPLIED LONG TOP & BOTTOM FOR FIELD TRIMMING AFTER GATE INSTALLATION AND LEVELING IS COMPLETE. FENCE MOUNTS HEIGHTS CAN BE ADJUSTED TO SUIT NEW OR EXISTING FENCE LINES.

**DETAIL M - BARB WIRE ANTI-CLIMB**



**DETAIL M1 - .13 [3] STEEL BARB ARM**



Description:  
**FOLDSMART XT, 2-FOLD (C1)  
TRACKLESS BI-FOLDING GATE SYSTEM**

Customer:		Date:
Finish: SEE FINISH NOTES		3/27/2025
Drawing No. <b>FSXT-2FC1-03-22-24</b>	Rev.	Sheet: 4 of 5

115 Lawson Crescent  
Winnipeg, Manitoba, Canada, R3P 1A6  
Phone: 1-866-300-1110  
Fax: 1-204-284-1868  
Web: www.wallaceperimetersecurity.com

