

NOTE
 GATE IS PREPARED FOR FIELD INSTALLATION OF SENSING EDGES PER UL UPDATE

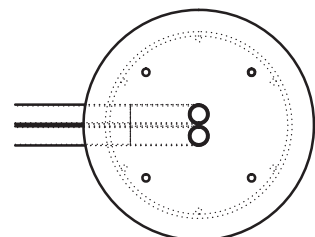
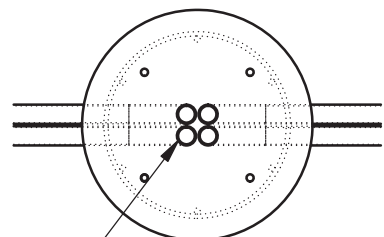
DIMENSIONS ARE SHOWN INCHES, DIMENSIONS SHOWN IN [] ARE IN MILLIMETERS, UNLESS OTHERWISE NOTED.

FINISH NOTES:
 - STANDARD FINISH: HOT DIPPED GALVANIZED.
 - OPTIONAL FINISH: POWDER COAT PAINT, CUSTOM COLORS AVAILABLE.
 RAL # MUST BE SPECIFIED AT TIME OF ORDER.

WALLACE
 PERIMETER SECURITY

115 Lowson Crescent
 Winnipeg, Manitoba, Canada, R3P 1A6
 Phone: 1-866-300-1110
 Fax: 1-204-284-1868
 Web: www.wallaceperimetersecurity.com

| | | | |
|--------------|---------------------------|---|-----------|
| Description: | | FOLDSMART XT, 2-FOLD (C2) TRACKLESS BI-FOLDING GATE SYSTEM STANDARD DIMENSIONS | |
| Customer: | | | |
| Finish: | SEE FINISH NOTES | Date: | 3/27/2025 |
| Drawing No. | FSXT-2FC2-03-22-24 | Rev. | |
| | | Sheet: | 1 of 5 |

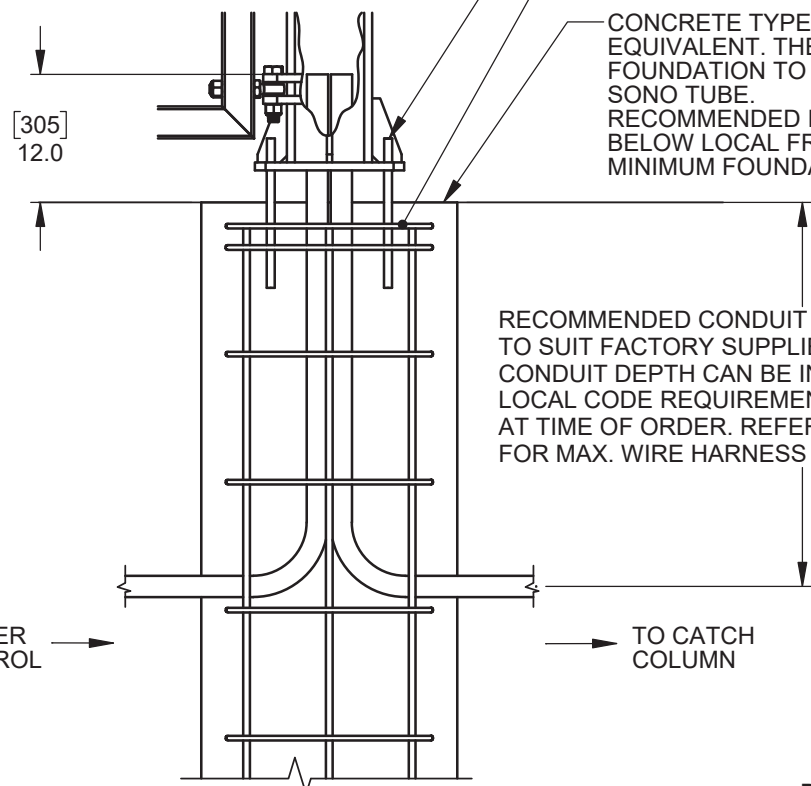


4 PCES. 1" [25] CONDUIT - BY OTHERS
2 IN PRIMARY COLUMN, FROM INCOMING
POWER SUPPLY / ACCESS CONTROL.
2 IN SECONDARY COLUMN FROM PRIMARY
COLUMN.

.75" [19] HILTI HAS 5.8 x 17" [432] ANCHOR BOLTS
ADHESIVE: HILTI HVU OR APPROVED EQUIVALENT.

REINFORCING STEEL:
10M Ø 19 [493] REBAR RINGS SPACED @ 12 [305] O/C
DOUBLE RINGS AT TOP. 8 - 15M REBAR VERTICALS

CONCRETE TYPE 50 32 MPa OR LOCAL
EQUIVALENT. THE TOP 72.0 [1828] OF
FOUNDATION TO BE ENCASED IN Ø24.0" [610]
SONO TUBE.
RECOMMENDED FOUNDATION DEPTH IS 36.0 [914]
BELOW LOCAL FROST LINE.
MINIMUM FOUNDATION DEPTH 96.0" [2438]

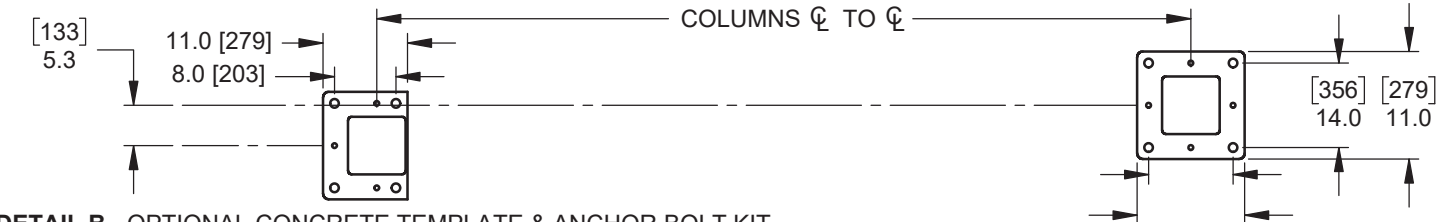


RECOMMENDED CONDUIT DEPTH 36.0 [914]
TO SUIT FACTORY SUPPLIED WIRE HARNESS
CONDUIT DEPTH CAN BE INCREASED TO SUIT
LOCAL CODE REQUIREMENTS. MUST BE SPECIFIED
AT TIME OF ORDER. REFER TO CONTROLLER NOTE
FOR MAX. WIRE HARNESS LENGTH.

INCOMING POWER
/ ACCESS CONTROL

TO CATCH
COLUMN

DETAIL A - COLUMN FOUNDATIONS



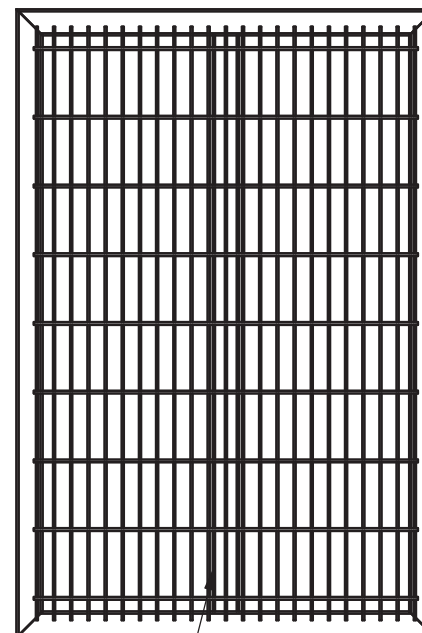
DETAIL B - OPTIONAL CONCRETE TEMPLATE & ANCHOR BOLT KIT

INCLUDED WITH FOLDSMART

- 1 - ELECTRICAL CONTROLLER MOUNTED IN A 24" [610] x 20" [508] x 8" [203] NEMA 3R ENCLOSURE.
- KEY FOR MANUAL PANEL RELEASE

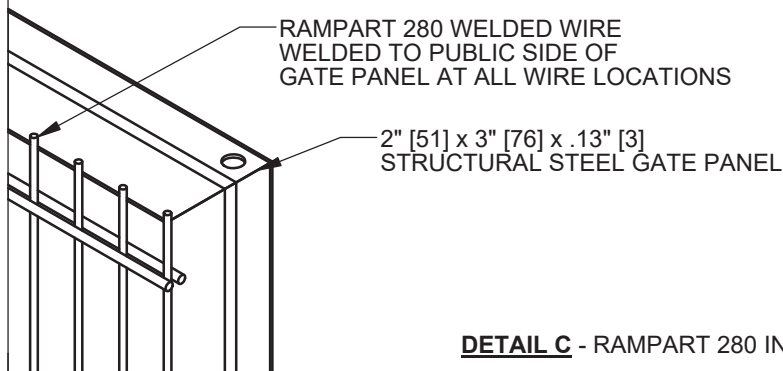
OPTIONS:

- CONCRETE TEMPLATE & ANCHOR BOLT KIT
- VEHICLE DETECTION LOOP RELAYS
- VEHICLE DETECTION LOOPS, DIRECT BURIAL OR SAW CUT
- SURFACE MOUNTED CENTER CATCH
- 4" [102] RED / GREEN LED TRAFFIC LIGHT
- 5" AMBER LOW PROFILE STROBE LIGHT
- ANTI - CLIMB
- BARBED WIRE
- PANEL EXTENSIONS
- ACCESS CONTROL PEDESTALS
- BOLLARDS / BOLLARD COVERS



PANELS HAVE AN ADDITIONAL
3.0 [76] x 2.0 [51] x .13 [3] HSS
VERTICAL MEMBER @ CENTERLINE
OF PANEL

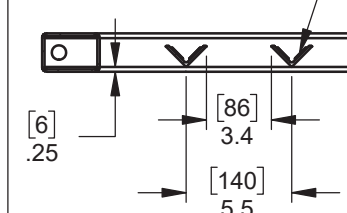
DETAIL C2



DETAIL C - RAMPART 280 INFILL

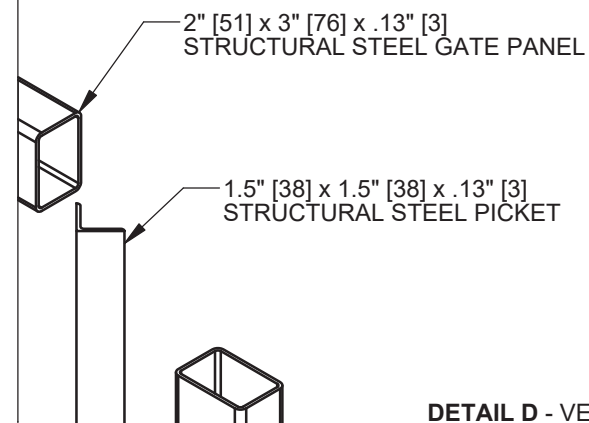
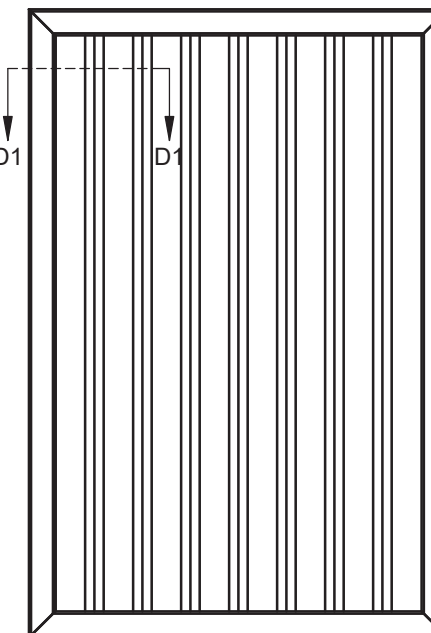
DETAIL D1

PICKETS ARE WELDED
TO GATE PANEL ON
INNER FACE OF PICKET

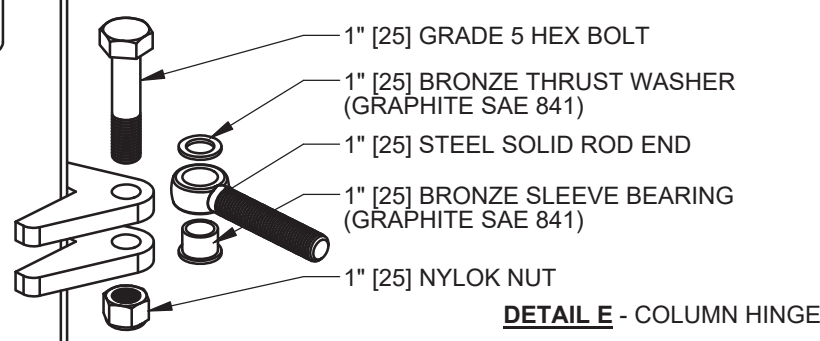


PUBLIC SIDE

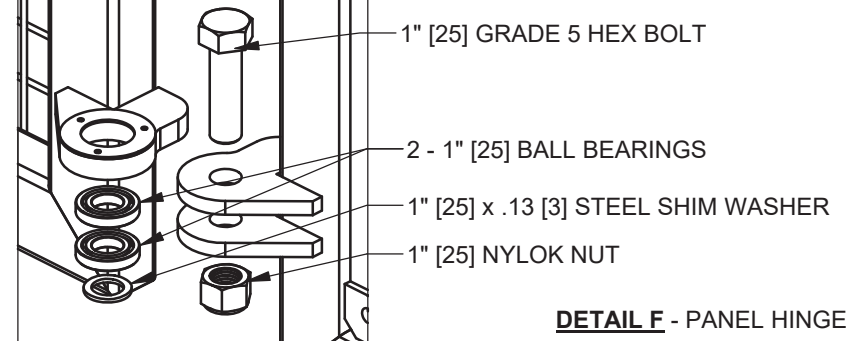
DETAIL D2



DETAIL D - VERTICAL PICKET INFILL



DETAIL E - COLUMN HINGE



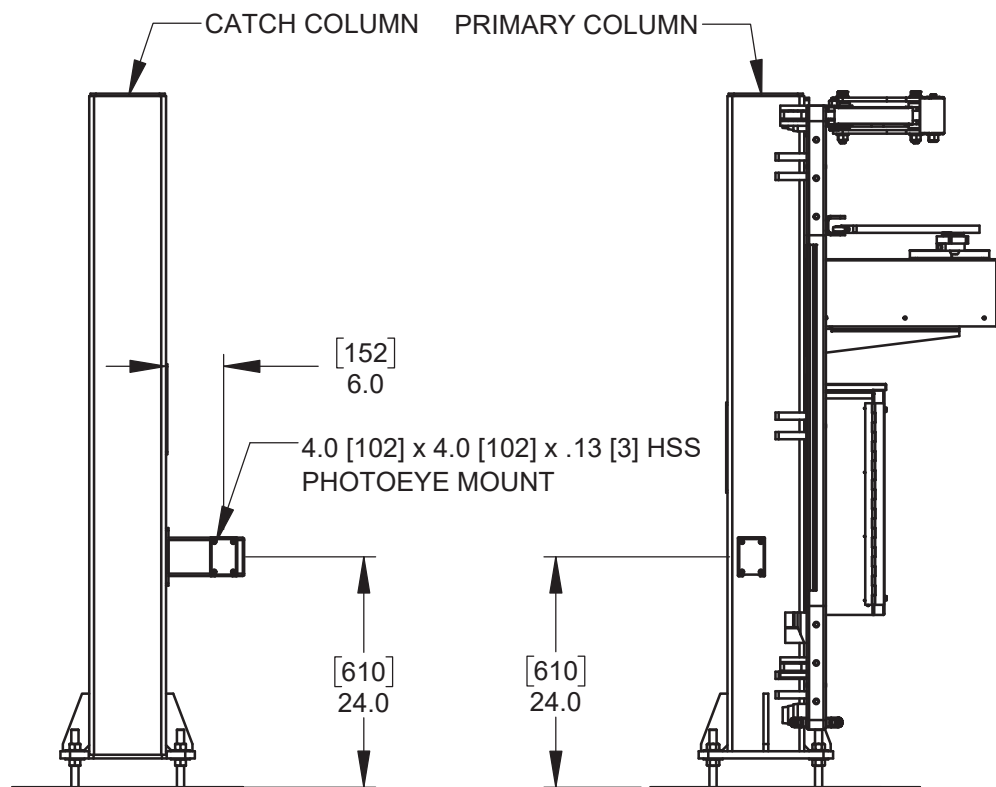
DETAIL F - PANEL HINGE



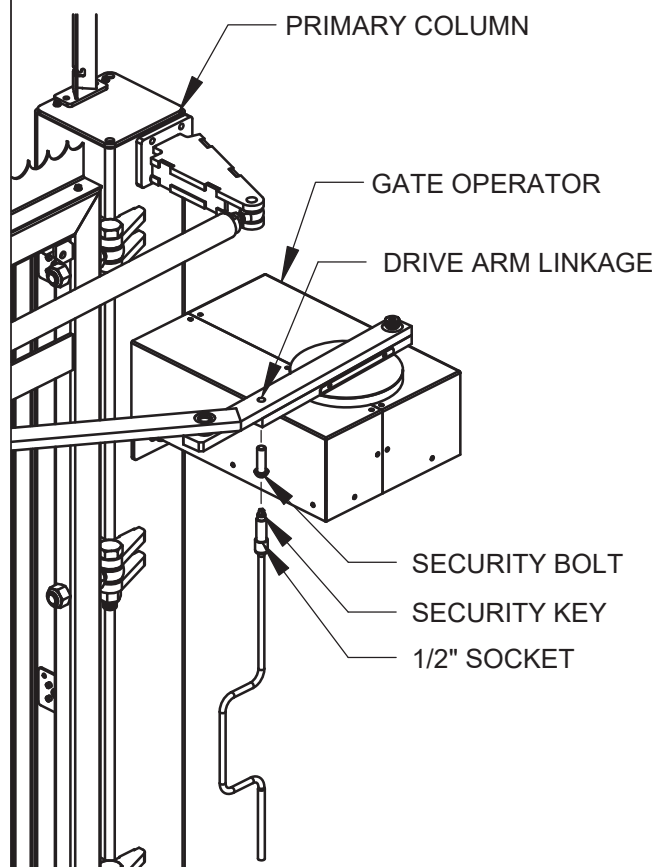
115 Lowson Crescent
Winnipeg, Manitoba, Canada, R3P 1A6
Phone: 1-866-300-1110
Fax: 1-204-284-1868
Web: www.wallaceperimetersecurity.com

| | |
|---|------------------------------|
| Description: FOLDSMART XT, 2-FOLD (C2) TRACKLESS BI-FOLDING GATE SYSTEM | |
| Customer: | |
| Finish: SEE FINISH NOTES PAGE 1 | Date: 3/27/2025 |
| Drawing No. FSXT-2FC2-03-22-24 | Rev. Sheet: 2 of 5 |

DETAIL G - PHOTOEYES

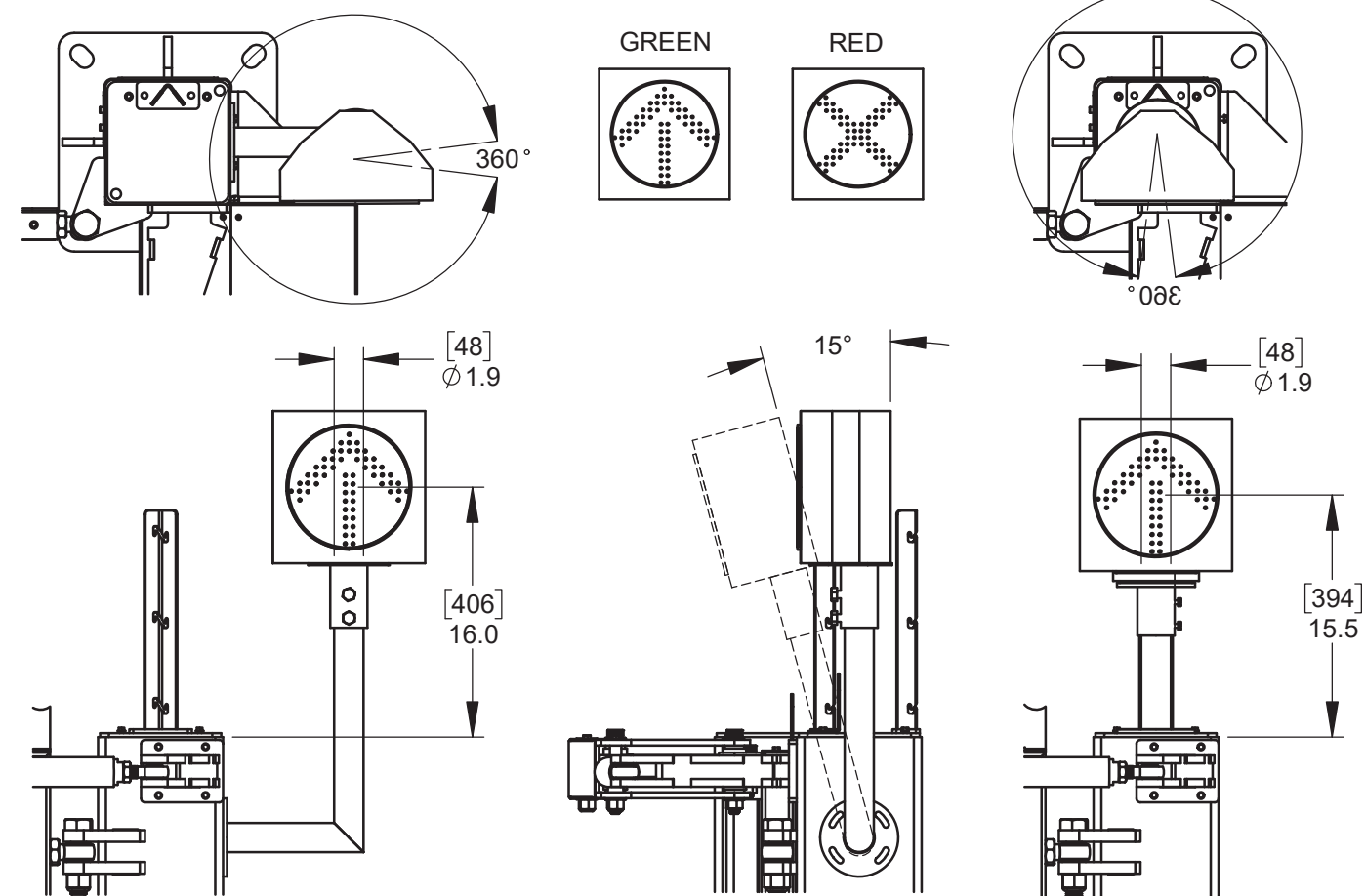


DETAIL H - MANUAL OPERATION RELEASE



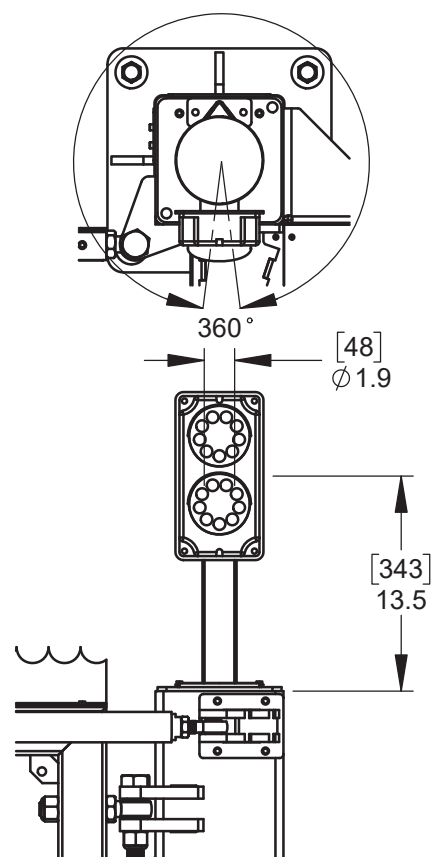
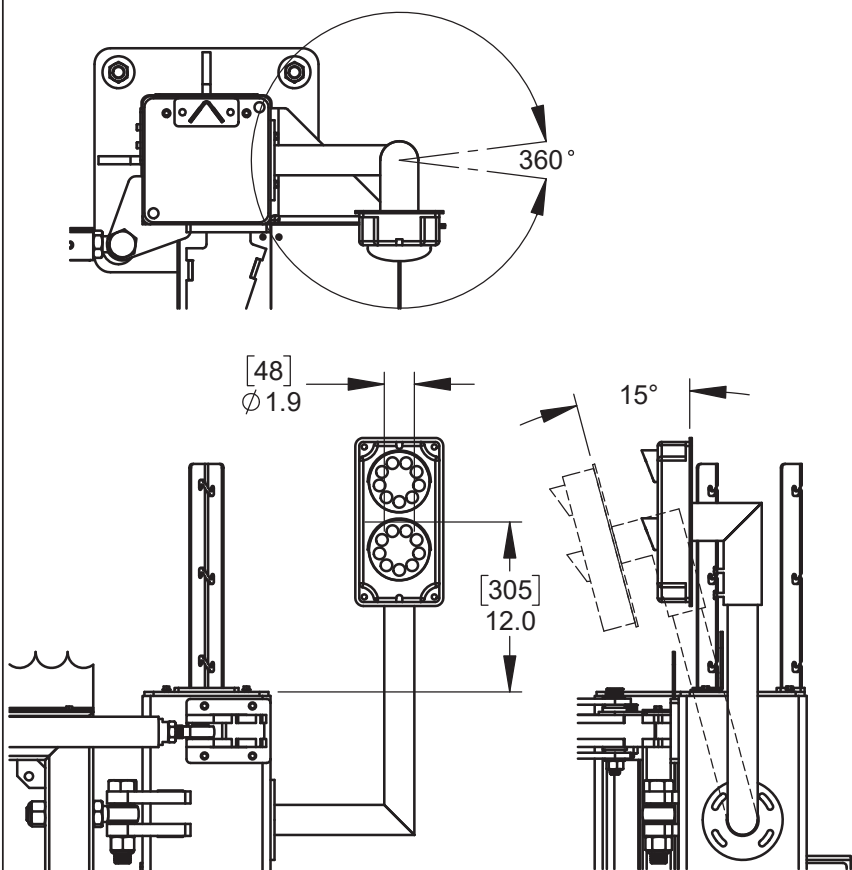
DETAIL I1 - 8" [203] RED / GREEN LED TRAFFIC LIGHT (SIDE MOUNT)

DETIL I2 - (TOP MOUNT)



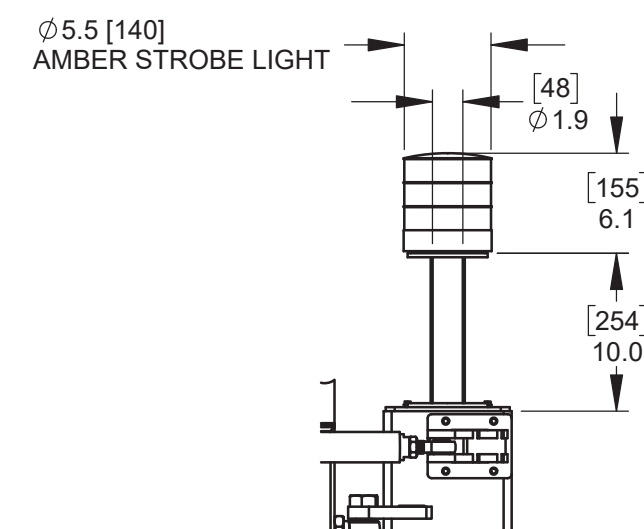
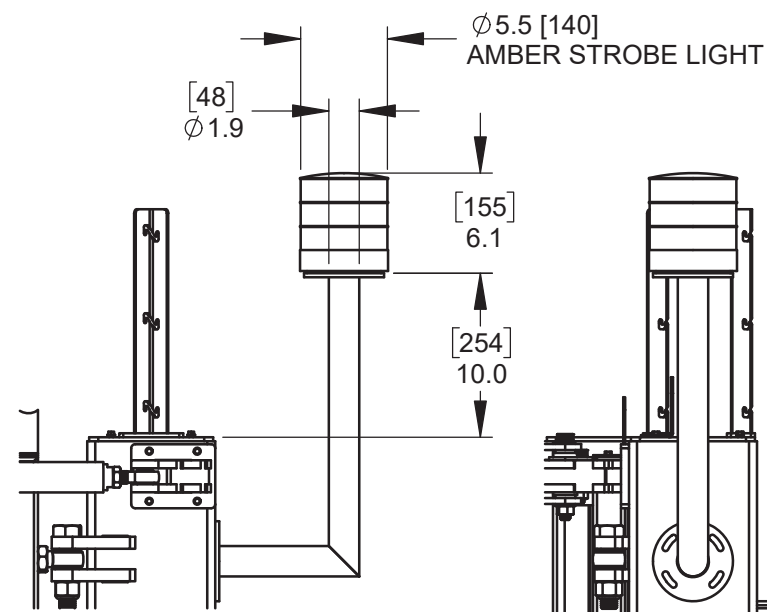
DETAIL J1 - 4" [102] RED / GREEN LED TRAFFIC LIGHT (SIDE MOUNT)

DETAIL J2 - (TOP MOUNT)



DETAIL K1 - STROBE LIGHT (SIDE MOUNT)

DETAIL K2 - (TOP MOUNT)



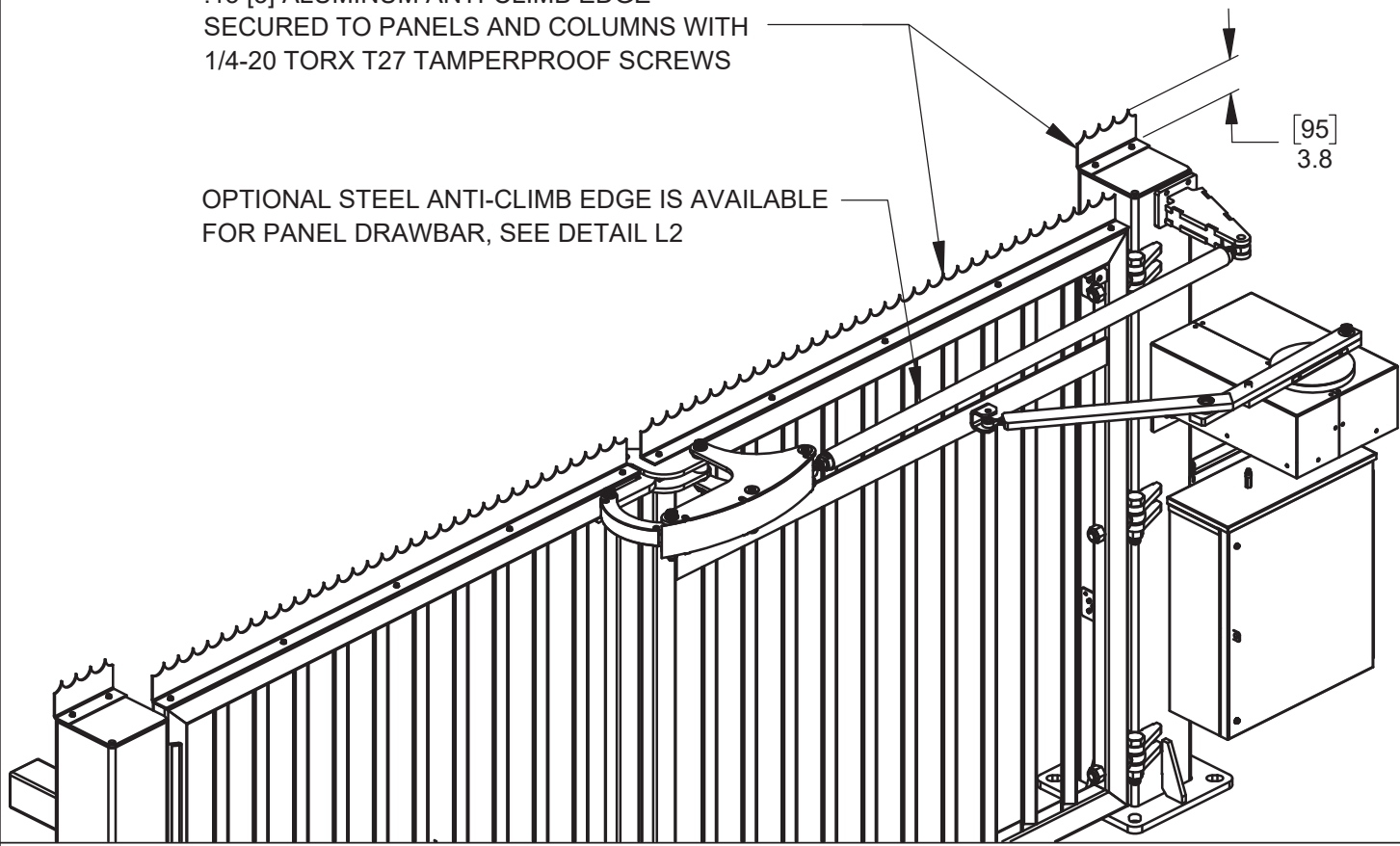
115 Lowson Crescent
Winnipeg, Manitoba, Canada, R3P 1A6
Phone: 1-866-300-1110
Fax: 1-204-284-1868
Web: www.wallaceperimetersecurity.com

| | |
|---|-----------|
| Description: | |
| FOLDSMART XT, 2-FOLD (G2) TRACKLESS BI-FOLDING GATE SYSTEM OPTIONS | |
| Customer: | |
| Finish: | Date: |
| SEE FINISH NOTES | 3/27/2025 |
| Drawing No. | Rev. |
| FSXT-2FC2-03-22-24 | |
| | Sheet: |
| | 3 of 5 |

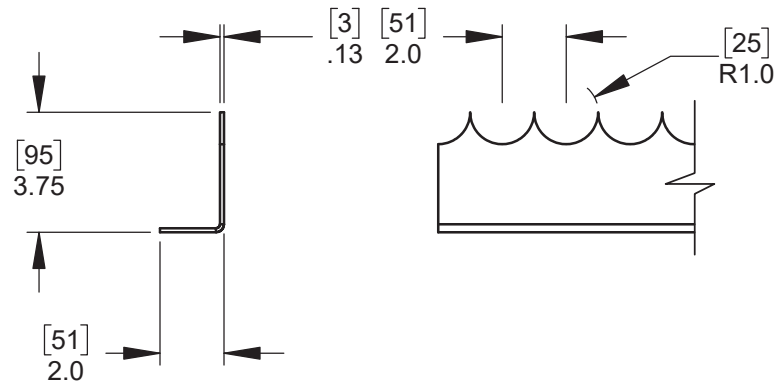
DETAIL L - ALUMINUM ANTI-CLIMB EDGE

.13 [3] ALUMINUM ANTI-CLIMB EDGE SECURED TO PANELS AND COLUMNS WITH 1/4-20 TORX T27 TAMPERPROOF SCREWS

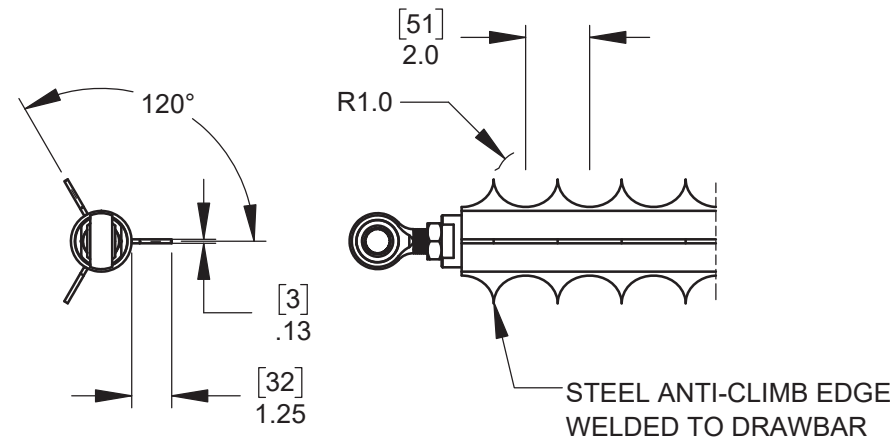
OPTIONAL STEEL ANTI-CLIMB EDGE IS AVAILABLE FOR PANEL DRAWBAR, SEE DETAIL L2



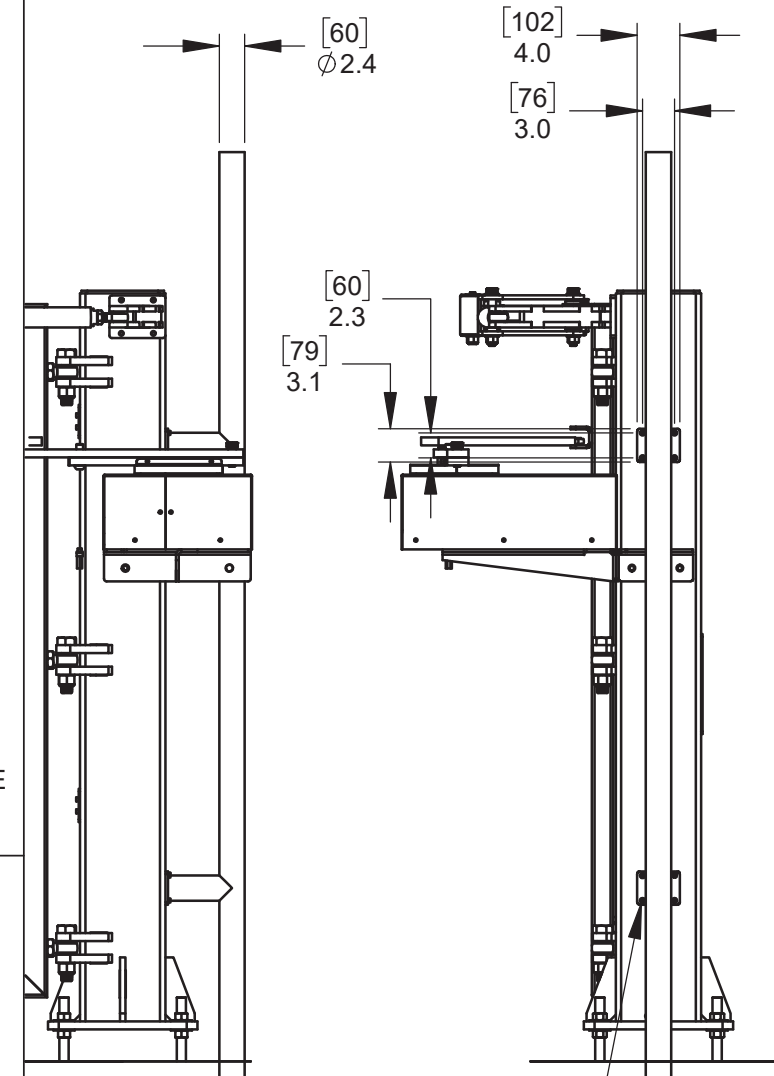
DETAIL L1 - STANDARD PANEL / COLUMN ALUMINUM ANTI-CLIMB EDGE



DETAIL L2 - OPTIONAL DRAWBAR STEEL ANTI-CLIMB EDGE



DETAIL N - FENCE MOUNTS



SECURED TO COLUMNS WITH 1/4-20 HEX BOLTS, WASHERS

FENCE MOUNTS ARE SUPPLIED LONG TOP & BOTTOM FOR FIELD TRIMMING AFTER GATE INSTALLATION AND LEVELING IS COMPLETE. FENCE MOUNTS HEIGHTS CAN BE ADJUSTED TO SUIT NEW OR EXISTING FENCE LINES.

Description:

FOLDSMART XT, 2-FOLD (G2) TRACKLESS BI-FOLDING GATE SYSTEM

Customer:

Finish:

SEE FINISH NOTES

Drawing No.

FSXT-2FC2-03-22-24

Rev.

Date:

3/27/2025

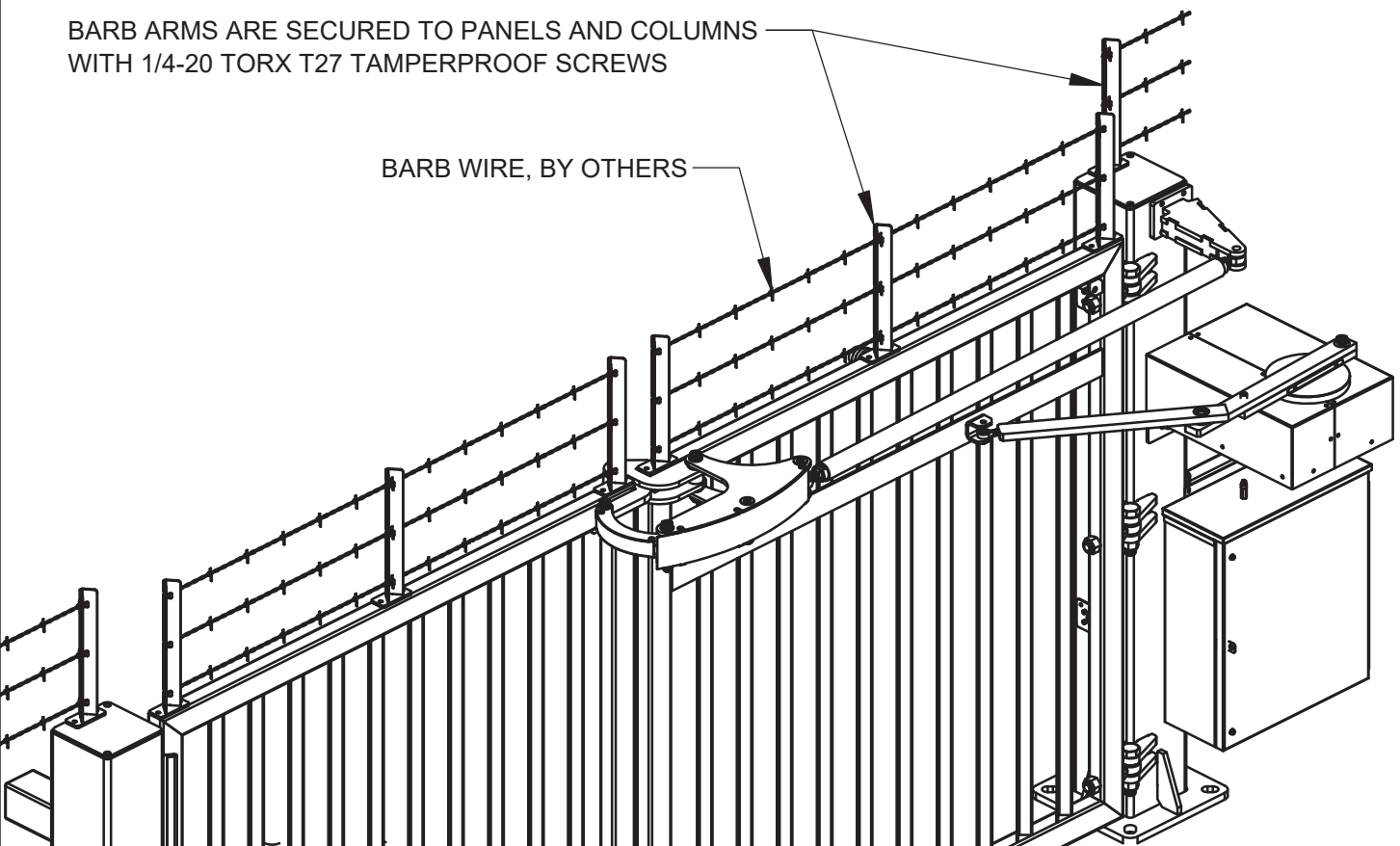
Sheet:

4 of 5

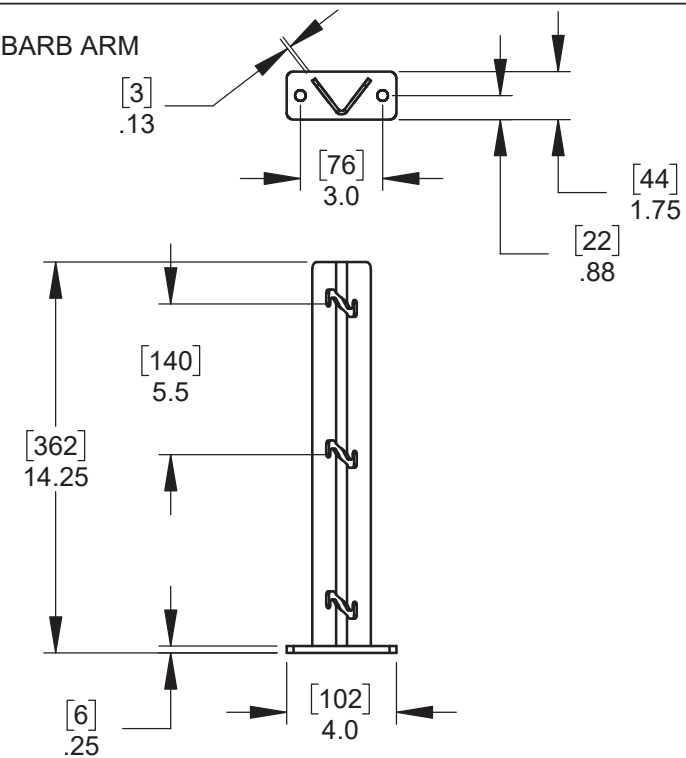
DETAIL M - BARB WIRE ANTI-CLIMB

BARB ARMS ARE SECURED TO PANELS AND COLUMNS WITH 1/4-20 TORX T27 TAMPERPROOF SCREWS

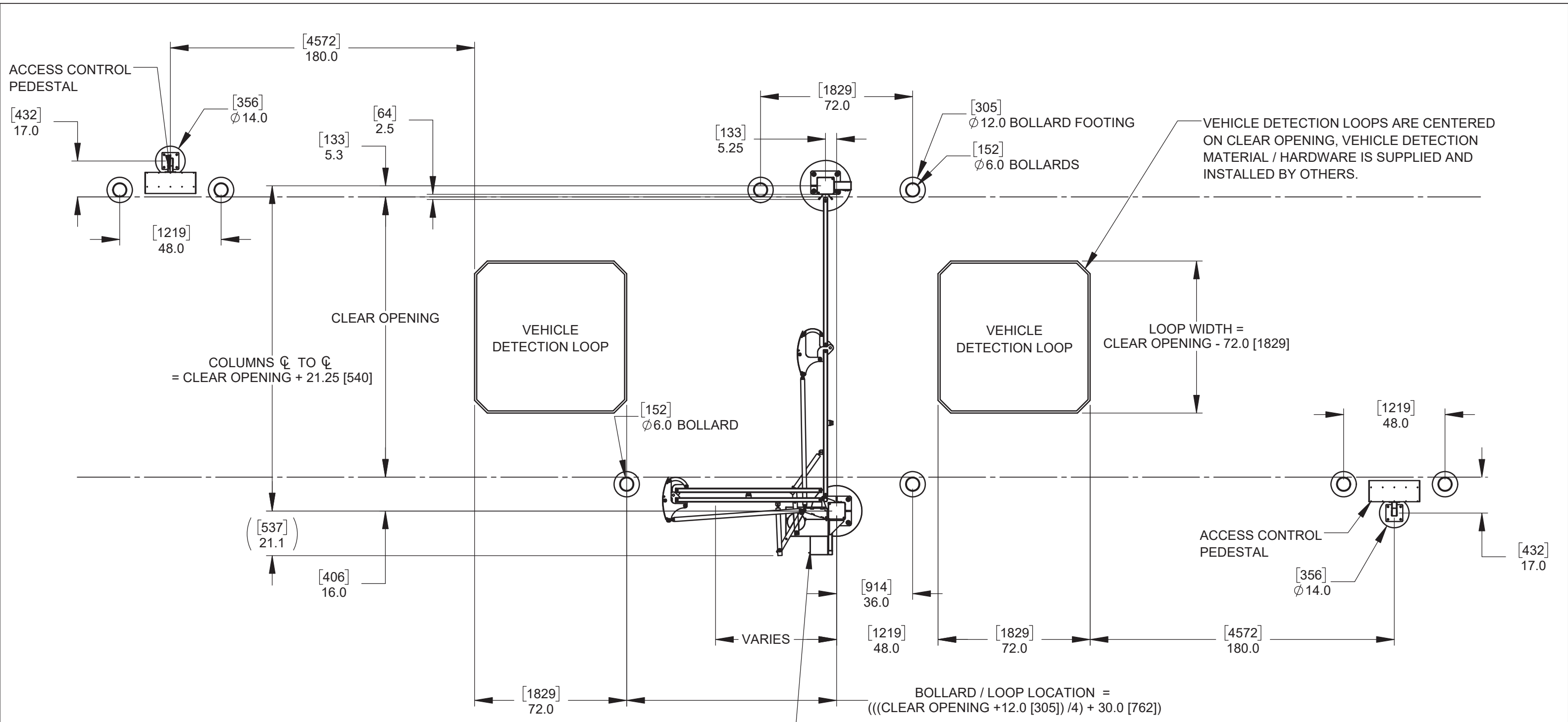
BARB WIRE, BY OTHERS



DETAIL M1 - .13 [3] STEEL BARB ARM



115 Lawson Crescent
Winnipeg, Manitoba, Canada, R3P 1A6
Phone: 1-866-300-1110
Fax: 1-204-284-1868
Web: www.wallaceperimetersecurity.com



ELECTRICAL CONTROLLER ENCLOSURE MUST BE MOUNTED WITHIN 10' [3048] OF GATE OPERATOR. ENCLOSURE IS SHOWN IN RECOMMENDED COLUMN MOUNTING LOCATION USING SUPPLIED MOUNTING BRACKET. BRACKET CAN BE MOUNTED ON FRONT OR BACK OF COLUMN TO SUIT PUBLIC / SECURE SIDE GATE SWINGS.

NOTE:
 BOLLARD INFORMATION IS SUPPLIED AS A REFERENCE ONLY.
 ALL FINAL MATERIALS AND DIMENSIONS ARE SUPPLIED AND INSTALLED BY OTHERS.

| | | | |
|--------------|---------------------------|---|------------------|
| Description: | | FOLDSMART XT, 2-FOLD (C2) TRACKLESS BI-FOLDING GATE SYSTEM GENERIC SITE LAYOUT | |
| Customer: | | | |
| Finish: | SEE FINISH NOTES | Date: | 3/27/2025 |
| Drawing No. | FSXT-2FC2-03-22-24 | Rev. | Sheet: 5 of 5 |


 115 Lowson Crescent
 Winnipeg, Manitoba, Canada, R3P 1A6
 Phone: 1-866-300-1110
 Fax: 1-204-284-1868
 Web: www.wallaceperimetersecurity.com