

- INSTALLATION PROCEDURE**
- INSTALL 8 - 1" [25] HILTI HAS-E-16 ANCHOR BOLTS IN SPEEDGATE FOOTINGS. DRILLING TEMPLATE IS PROVIDED FOR ANCHOR BOLT INSTALLATION. REFER TO **DETAIL A** FOR FOOTING / ANCHOR BOLT INFORMATION.
  - SET LH & RH COLUMNS ON ANCHOR BOLTS AND SECURE USING SUPPLIED HARDWARE. COLUMNS MUST BE VERTICAL AND PLUMB AFTER INSTALLATION.
  - INSTALL TOP TRACK / HEADER
  - INSTALL LH AND RH GATE PANELS
  - INSTALL DRIVE PIN GUIDE WHEEL ASSEMBLIES.
  - TERMINATE WIRING IN ELECTRICAL TERMINATION BOX LOCATED INSIDE OF GATE COLUMNS REFER TO **DETAIL K-1**, ON SHEET 3 FOR TERMINATION BOX LOCATION.

- INCLUDED WITH SPEEDGATE:**
- 2 - ELECTRONIC GATE CONTROLLERS MOUNTED IN A 30" [762] x 30" [762] x 12" [305] NEMA 3R ENCLOSURE.
  - ELECTRICAL HARNESS TO CONNECT GATE CONTROLLER TO DRIVE COMPONENTS. STANDARD HARNESS LENGTH ALLOWS FOR CONTROL ENCLOSURE TO BE MOUNTED UP TO 30 FT. [9144] FROM PRIMARY COLUMN. OPTIONAL EXTENDED HARNESS AVAILABLE, SEE NOTE ON SHEET 1
  - KEY AND LOCK FOR ALL ACCESS PANELS, REFER TO **DETAILS H1 - H4** FOR AVAILABLE STYLES.
  - ALL GATE MOUNTING HARDWARE
- NOT INCLUDED WITH SPEEDGATE:**
- VEHICLE DETECTION LOOPS, REFER TO SHEET 5 FOR LOOP SIZING AND LOCATIONS
  - GROUT TO FILL GAP UNDER COLUMN BASE PLATES AFTER LEVELING IS COMPLETE.

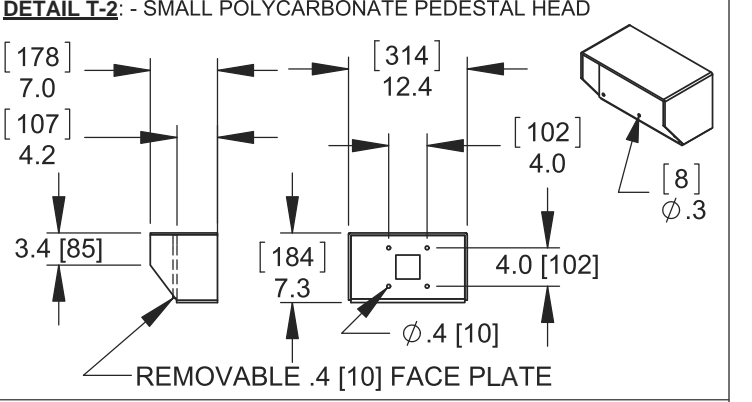
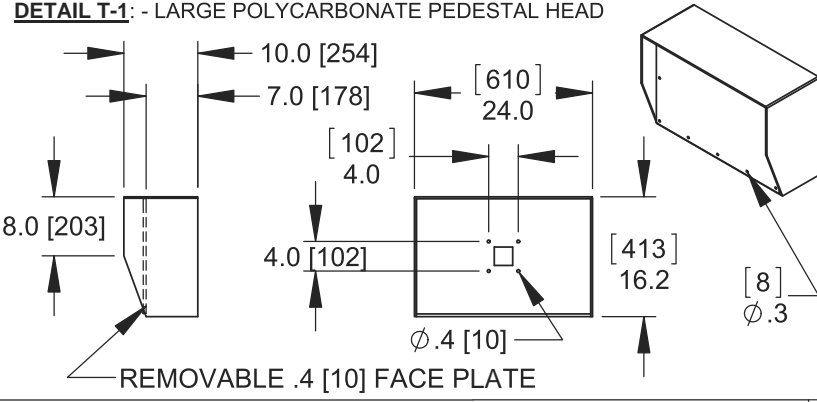
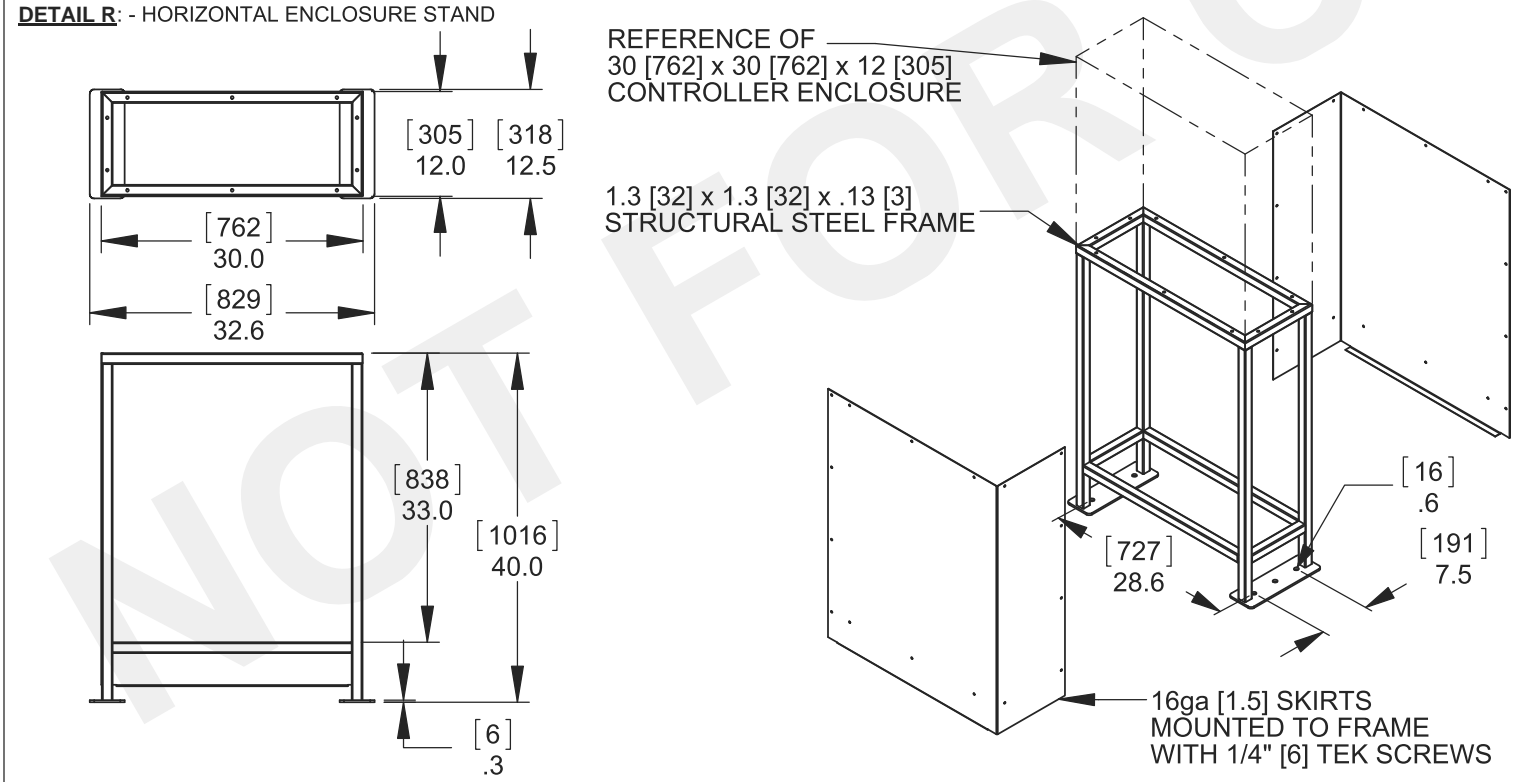
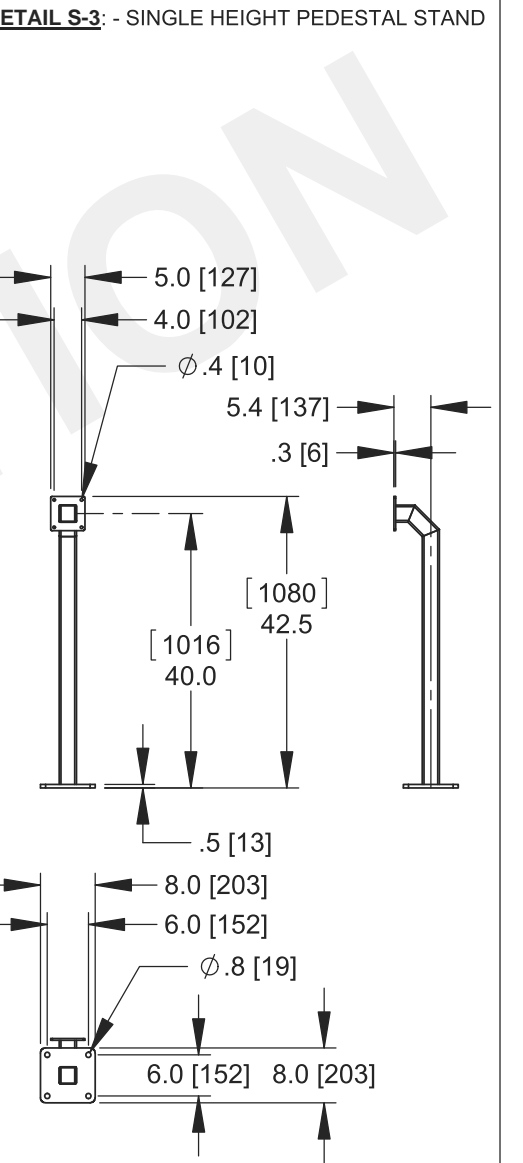
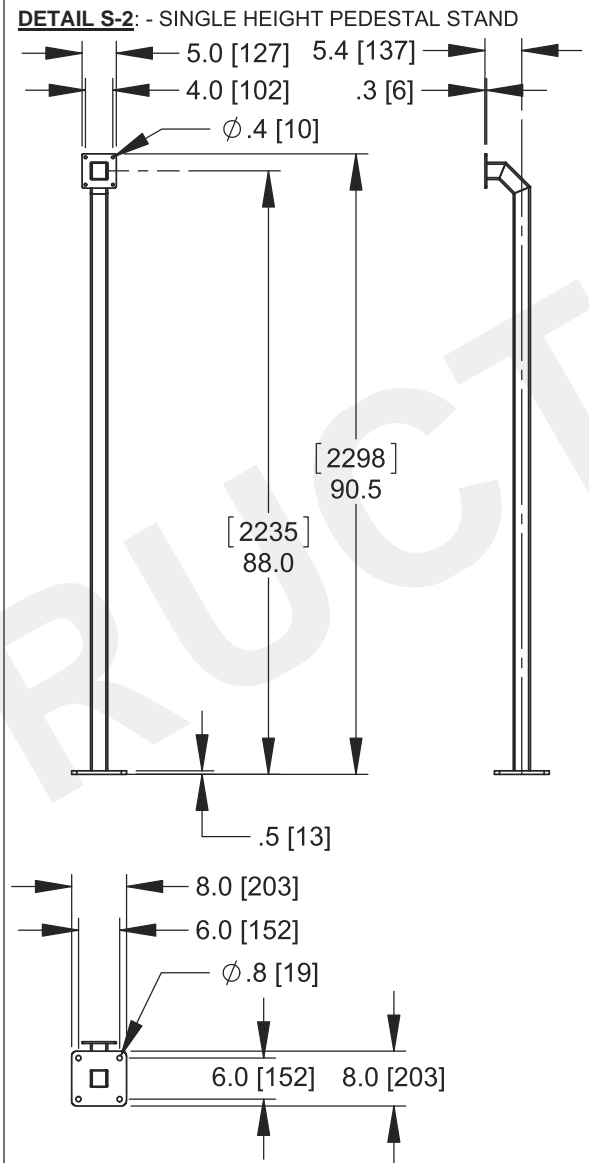
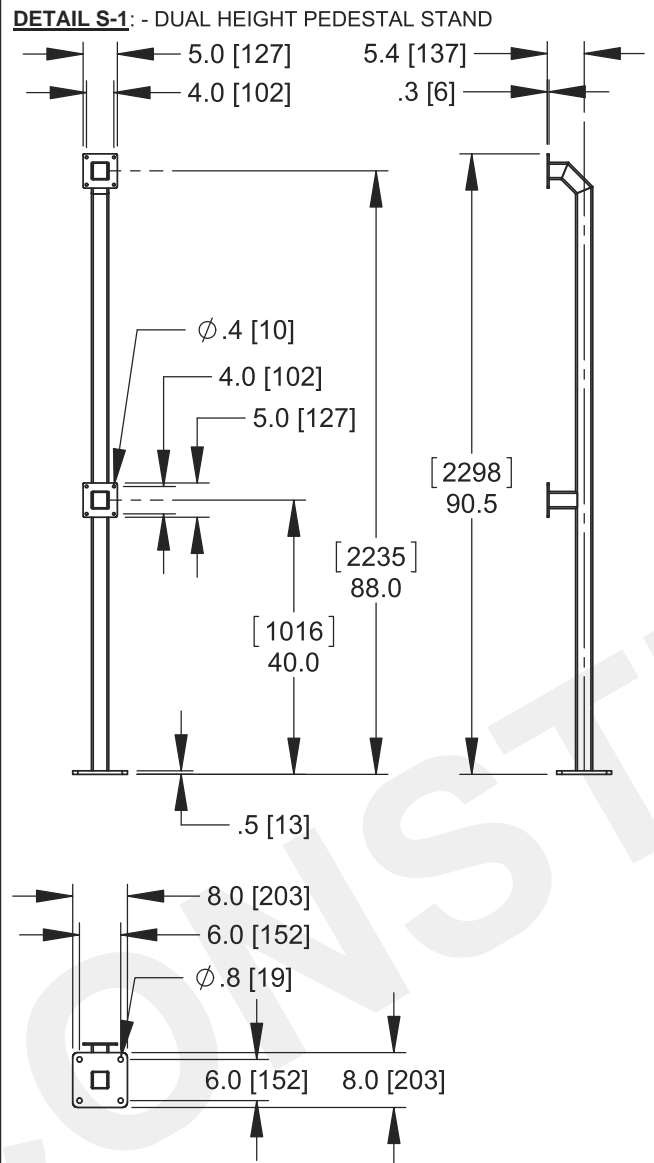
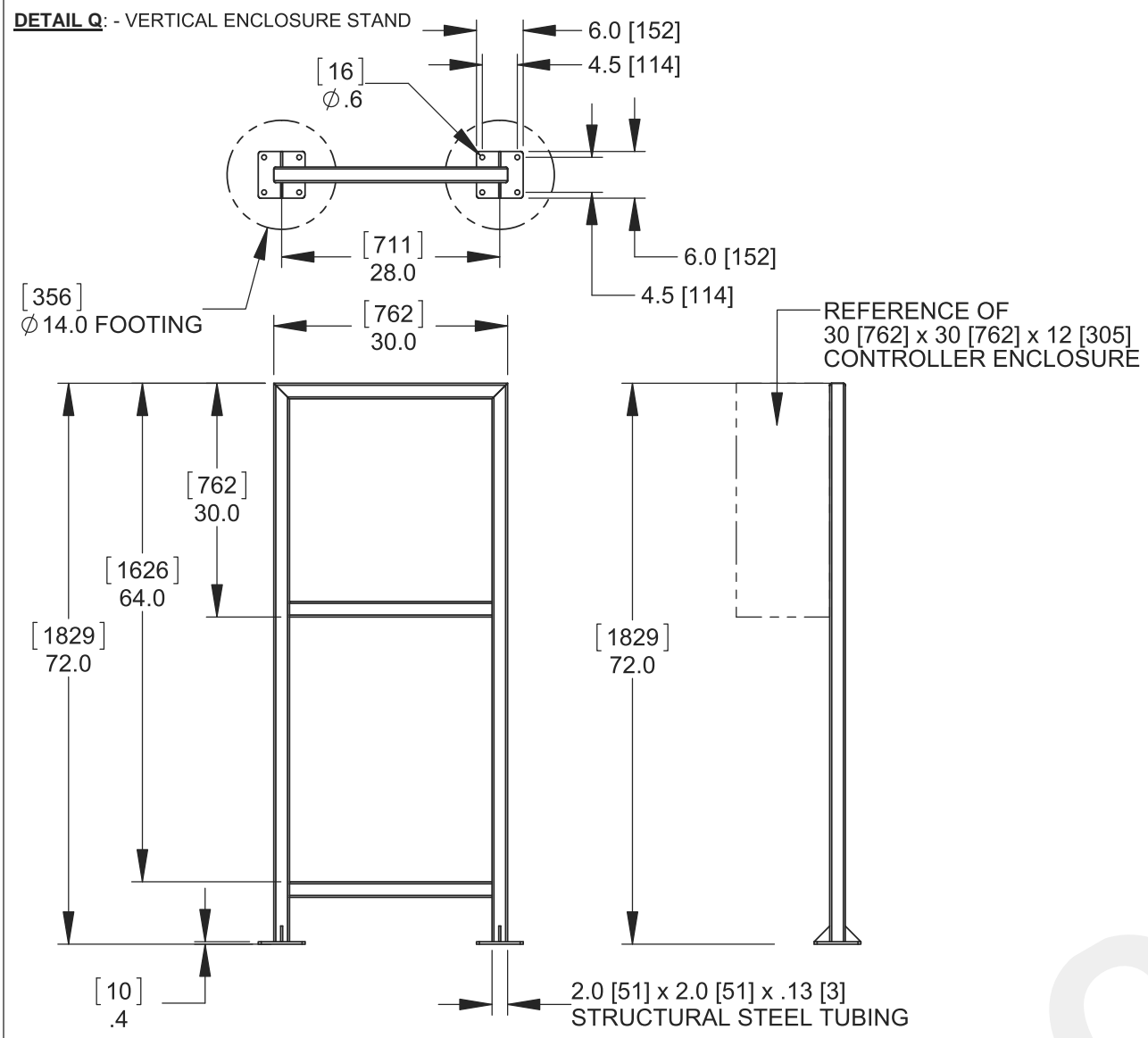
115 Lawson Crescent  
Winnipeg, Manitoba, Canada, R3P 1A6  
Phone: 1-866-300-1110  
Fax: 1-204-284-1868  
www.wallaceperimetersecurity.com

Description:		<b>PDTT</b>	
POST DRIVE TOP TRACK SPEEDGATE		STANDARD NOTES AND OPTIONS	
Customer / Project Name:		-	
Finish:	Date:	7/7/2017	
Drawing No.	Rev.	Sheet:	
<b>PDTT-07-07-17</b>		2 of 6	









**WALLACE**  
PERIMETER SECURITY

115 Lawson Crescent  
Winnipeg, Manitoba, Canada, R3P 1A6  
Phone: 1-866-300-1110  
Fax: 1-204-284-1868  
www.wallaceperimetersecurity.com

Description:		<b>PDTT</b>	
CONTROLLER ENCLOSURE STANDS		PEDESTAL HEADS / PEDESTAL STANDS	
Customer / Project Name:		-	
Finish:	Date:	7/7/2017	
Drawing No.	Rev.	Sheet:	
<b>PDTT-07-07-17</b>		6 of 6	