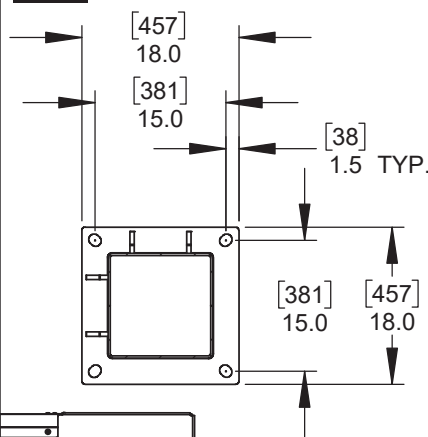
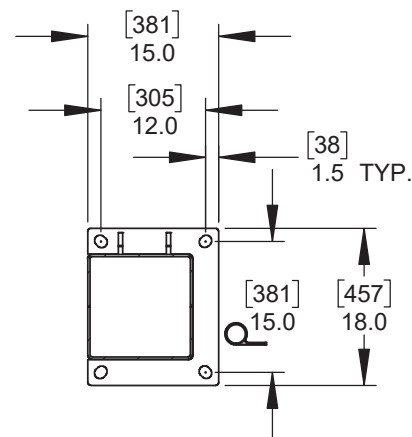


SECTION B-B - BASE PLATE OPTIONS

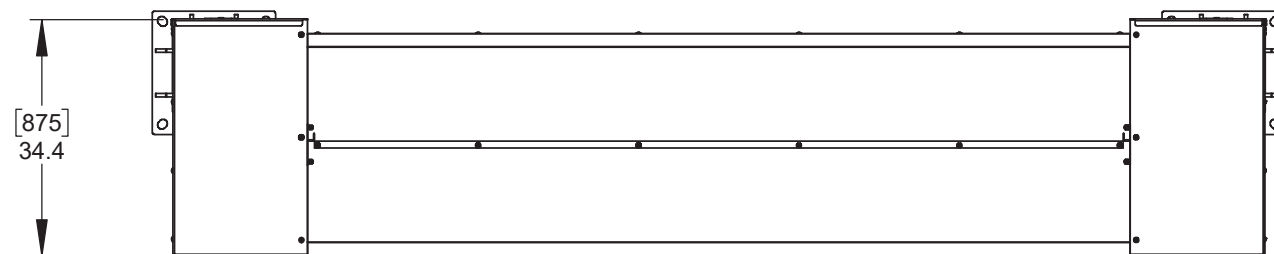
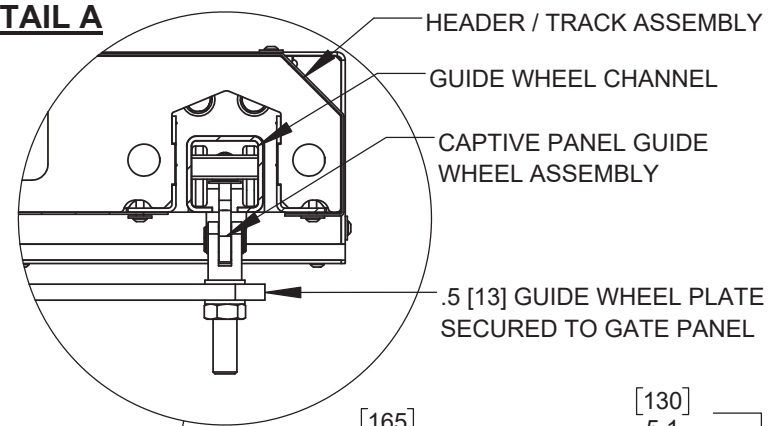
B-B1 - STANDARD



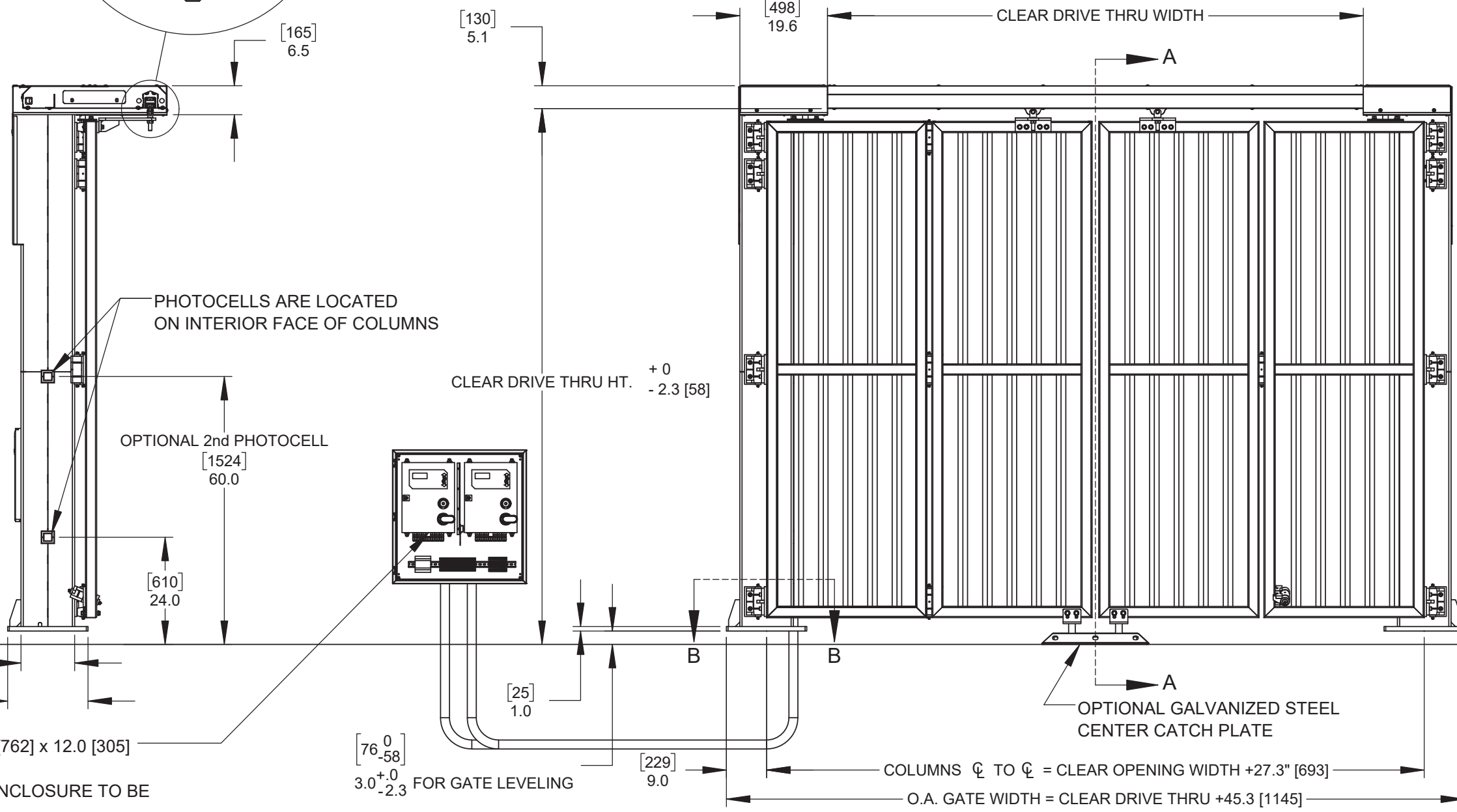
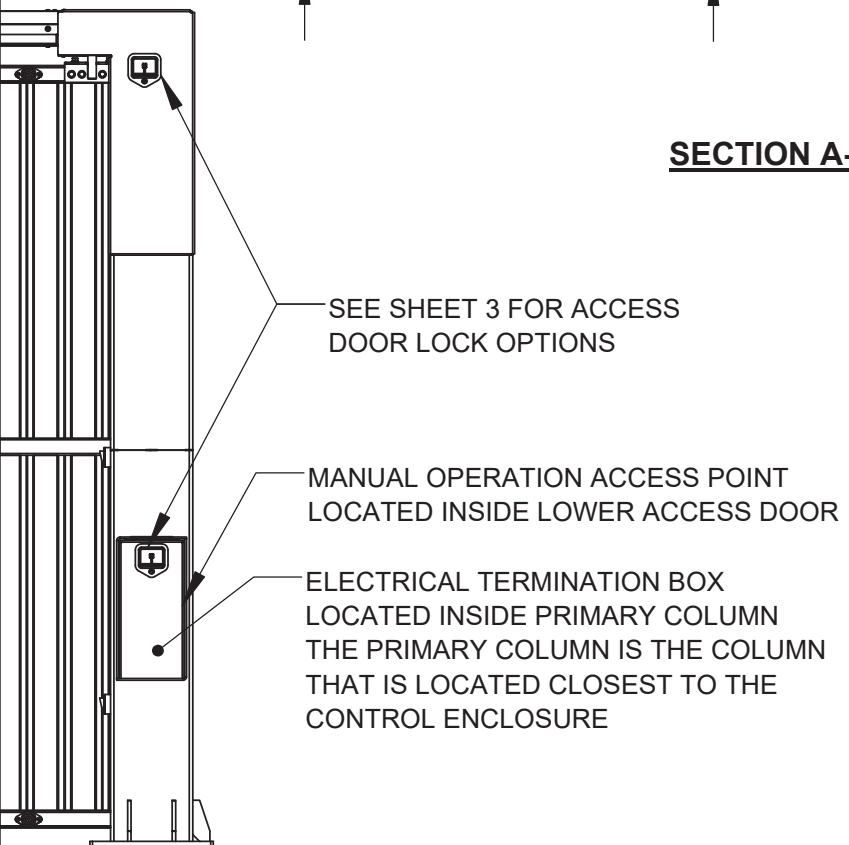
B-B2 - OFFSET



DETAIL A



SECTION A-A



12.0 [305] x 12.0 [305] x .25 [6] COLUMN

18.0 [457] x 18.0 [457] x 1.0 [25] BASE PLATE (REFER TO SECTION B-B ABOVE FOR OPTIONS)

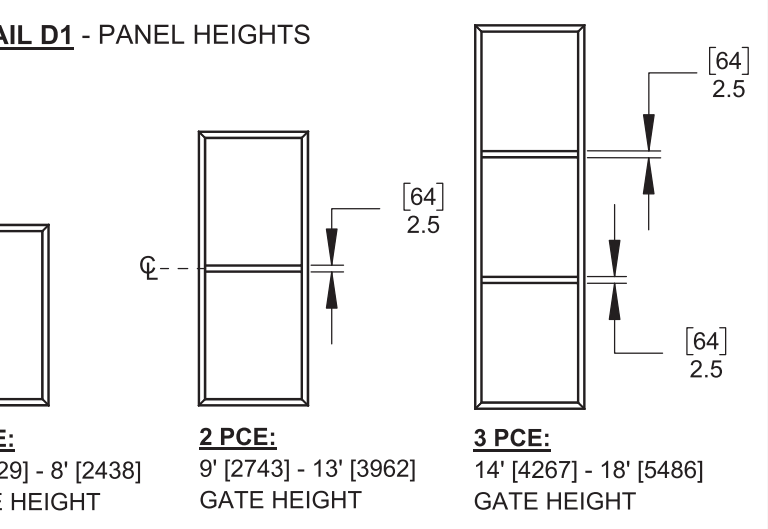
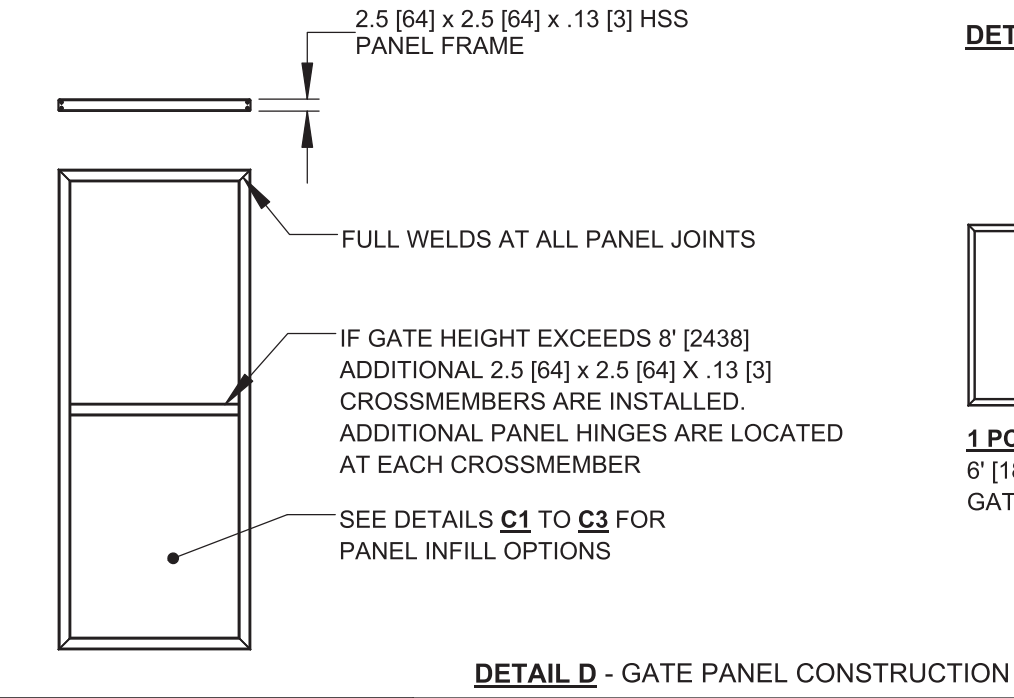
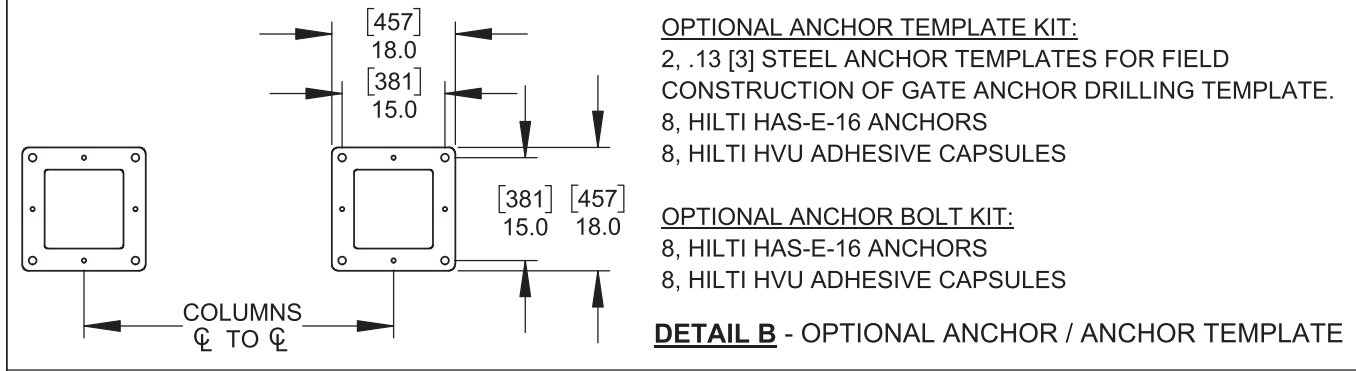
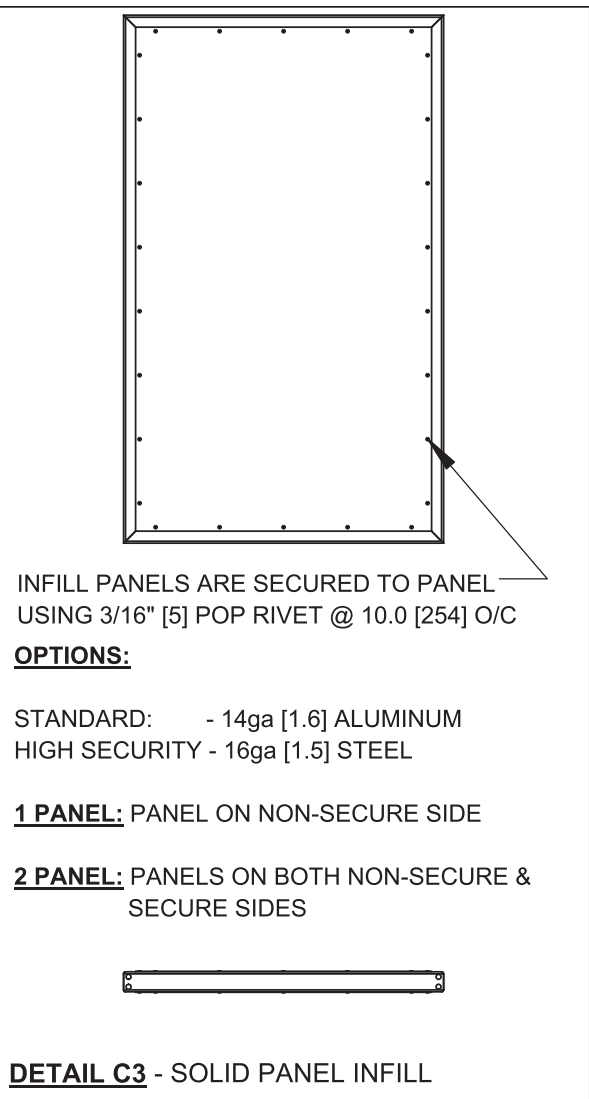
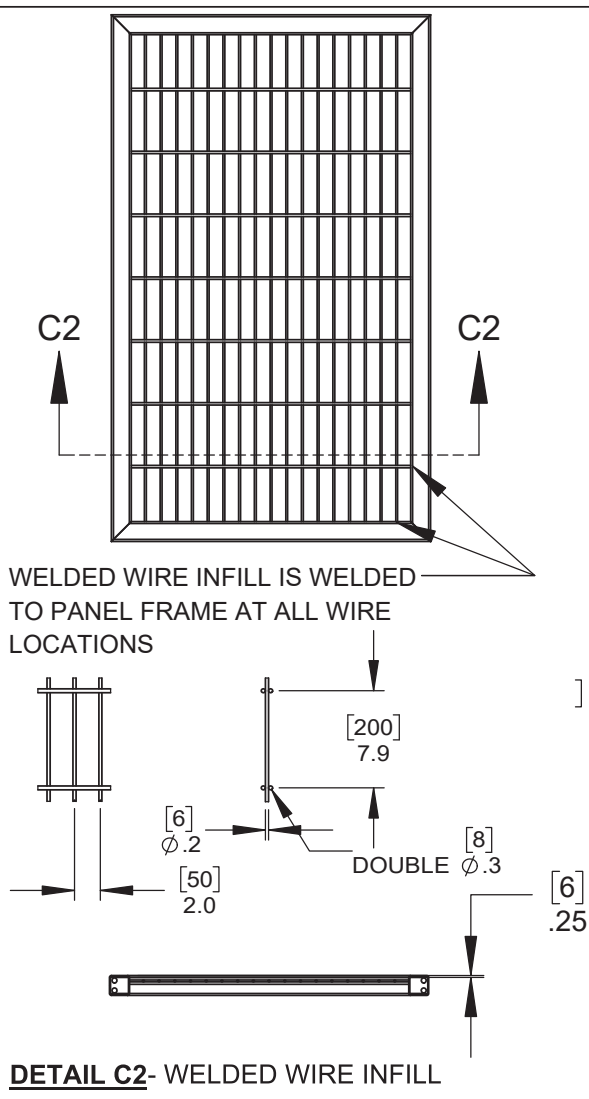
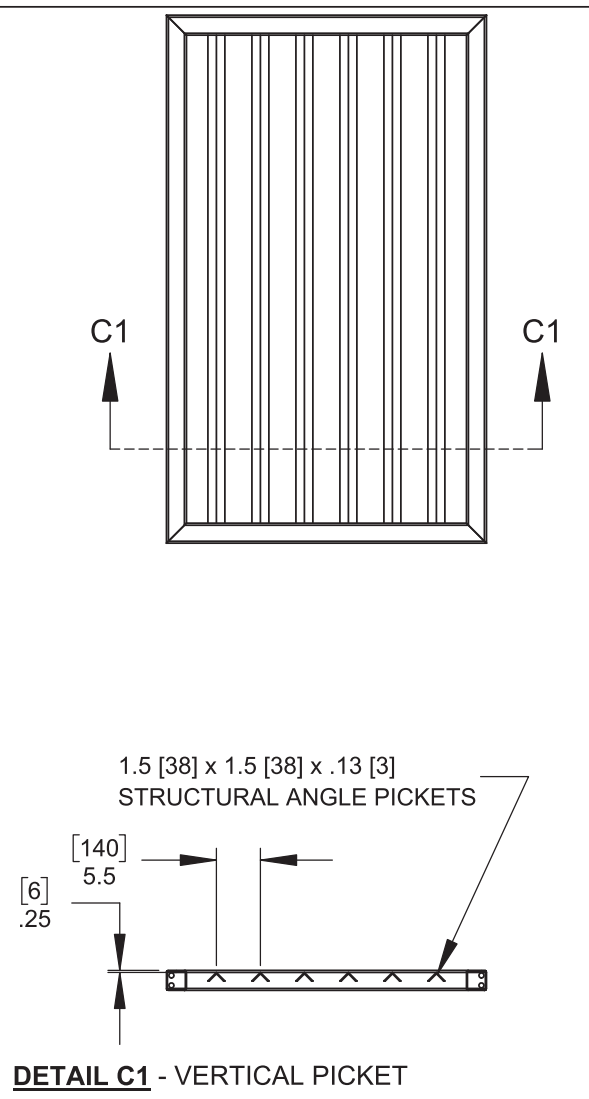
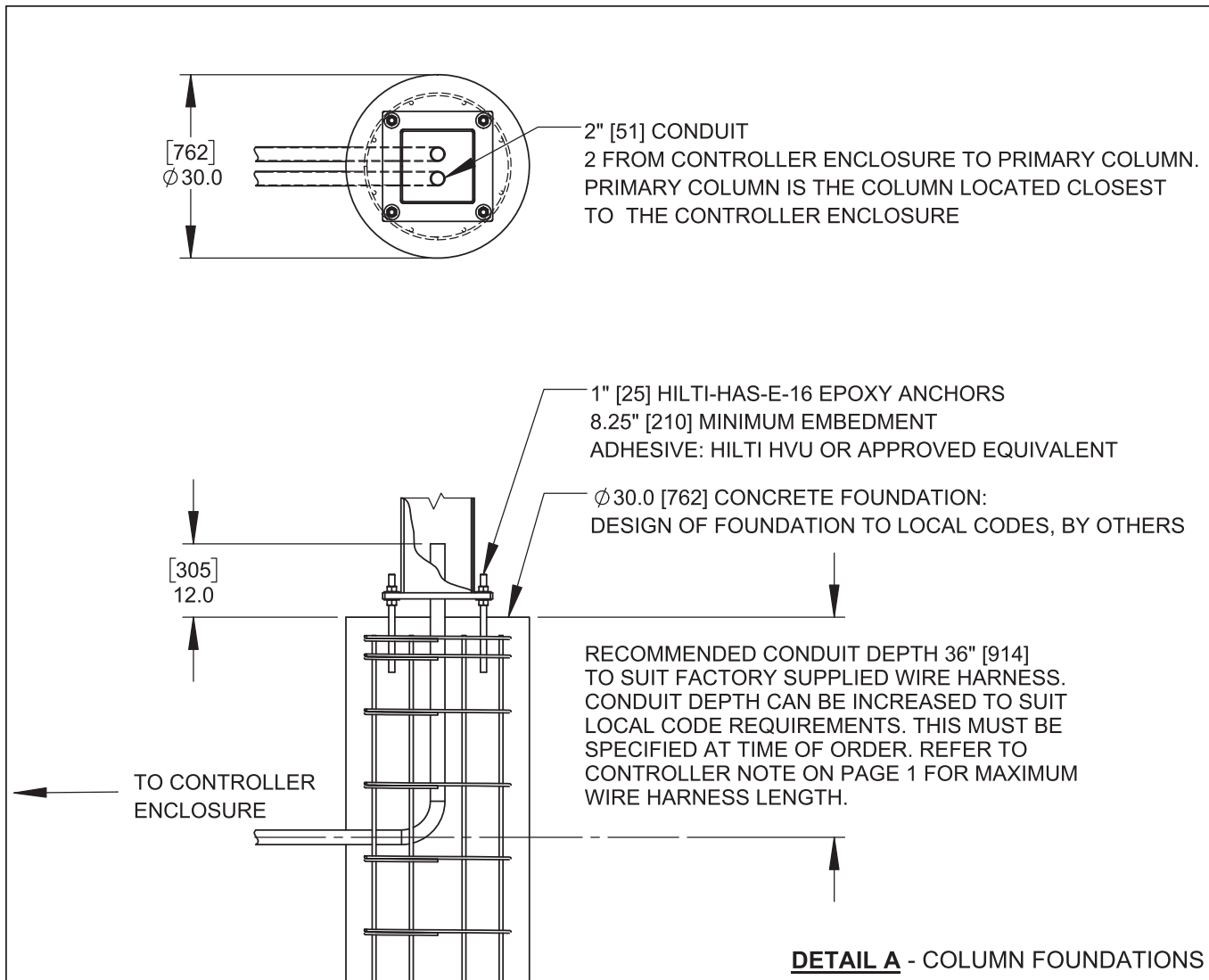
2 ELECTRICAL CONTROLLERS ARE MOUNTED IN A 30.0 [762] x 30.0 [762] x 12.0 [305] NEMA 3R ENCLOSURE c/w WIRE HARNESS. STANDARD WIRE HARNESS LENGTH ALLOWS FOR CONTROLLER ENCLOSURE TO BE PLACED UP TO 30' [9144] FROM PRIMARY COLUMN. OPTIONAL EXTENDED WIRE HARNESS IS AVAILABLE WHERE CONTROLLERS ARE TO BE MOUNTED BEYOND STANDARD WIRE HARNESS LENGTH. MAXIMUM WIRE HARNESS LENGTH IS DETERMINED BY DRIVE THRU WIDTH, CONTACT WALLACE PERIMETER SECURITY FOR DETAILS. CONTROLLERS, ENCLOSURE AND WIRE HARNESS BY WALLACE PERIMETER SECURITY CONDUIT, BY OTHERS. SEE SHEET 2 FOR CONDUIT SIZES, QUANTITIES AND REQUIREMENTS.

POWER REQUIREMENTS: 240V, SINGLE PHASE, 20A

FINISH NOTES:
STANDARD FINISH: HOT DIPPED GALVANIZED ON ALL STEEL COMPONENTS
OPTIONAL POWDER COAT PAINT FINISH AVAILABLE.
NOTE: DIMENSIONS ARE SHOWN IN INCHES, DIMENSIONS SHOWN IN [] ARE IN MILLIMETERS

115 Lowson Crescent
Winnipeg, Manitoba, Canada, R3P 1A6
Phone: 1-866-300-1110
Fax: 1-204-284-1868
Web: www.wallaceperimetersecurity.com

Description: PDTT POST DRIVE, TOP TRACK SPEEDGATE	
Customer / Project Name:	
Finish: SEE FINISH NOTES	Date: 3/13/2019
Drawing No. PDTT-03-09-18	Rev. Sheet: 1 of 6



INCLUDED WITH SPEEDGATE:

- 2 ELECTRONIC GATE CONTROLLERS MOUNTED IN A 30" [762] x 30" [762] x 12" [305] NEMA 3R ENCLOSURE.
- ELECTRICAL HARNESS TO CONNECT GATE CONTROLLERS TO DRIVE COMPONENTS. STANDARD WIRING HARNESS LENGTH ALLOWS FOR THE CONTROL ENCLOSURE TO BE MOUNTED UP TO 30' [9144] FROM PRIMARY COLUMN. OPTIONAL EXTENDED WIRING HARNESS IS AVAILABLE. CONTACT WALLACE PERIMETER SECURITY FOR DETAILS.
- KEY(S) AND LOCK(S) FOR ALL ACCESS PANELS, SEE SHEET 3, DETAILS E1 TO E4 FOR AVAILABLE LOCK OPTIONS.

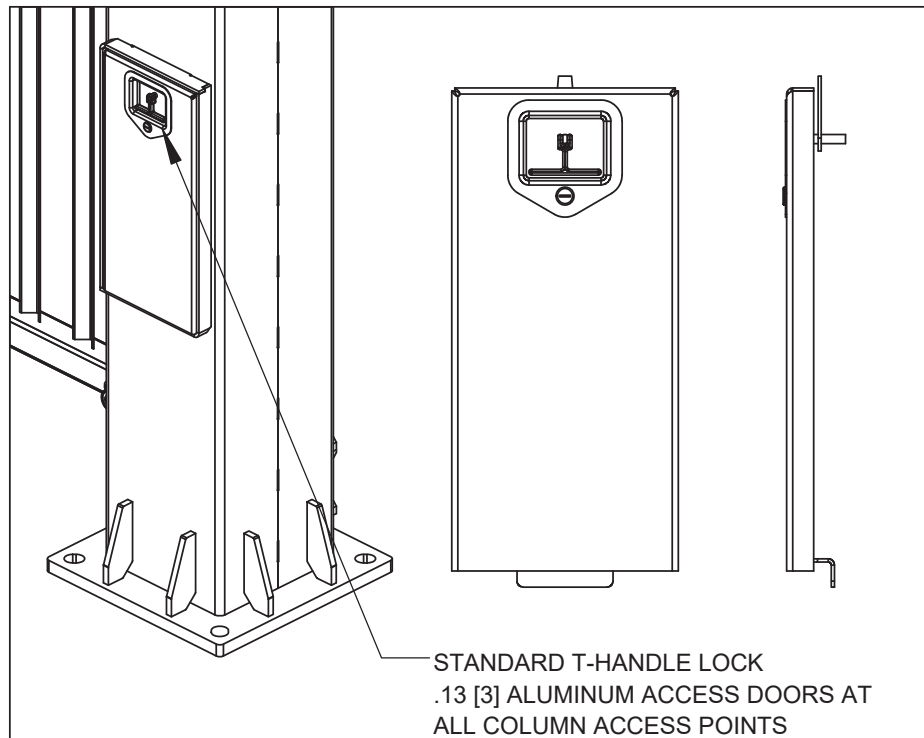
NOT INCLUDED WITH SPEEDGATE:

- GATE MOUNTING HARDWARE, OPTIONAL ANCHOR BOLT OR ANCHOR BOLT & TEMPLATE KITS AVAILABLE.
- VEHICLE DETECTION LOOPS
- GROUT TO FILL GAP UNDER COLUMN BASE PLATES WHEN GATE INSTALLATION / LEVELING IS COMPLETE

Description:		PDDT POST DRIVE TOP TRACK SPEEDGATE STANDARD NOTES AND OPTIONS	
Customer / Project Name:			
Finish:	Date:		3/13/2019
Drawing No.	Rev.	Sheet:	
PDDT-03-09-18		2 of 6	

WALLACE
PERIMETER SECURITY

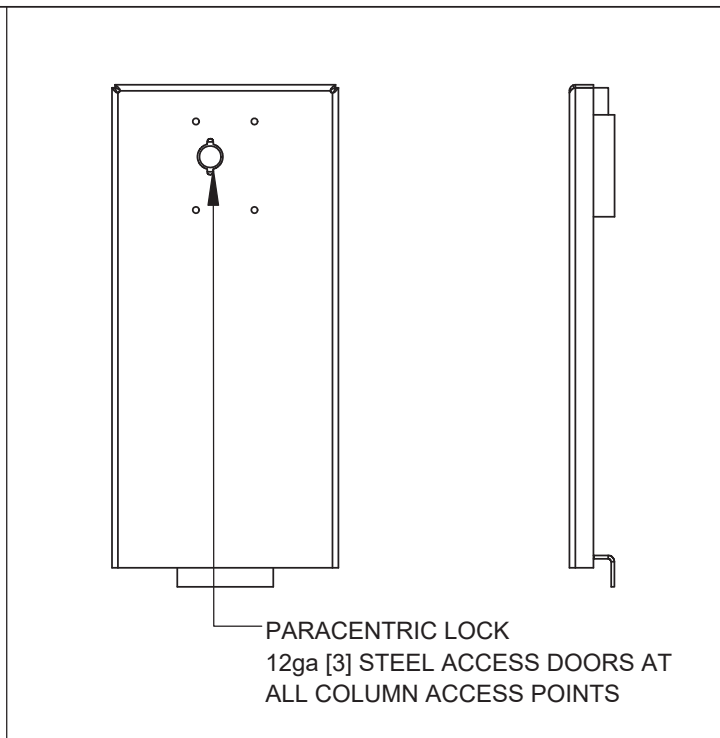
115 Lowson Crescent
Winnipeg, Manitoba, Canada, R3P 1A6
Phone: 1-866-300-1110
Fax: 1-204-284-1868
Web: www.wallaceperimetersecurity.com



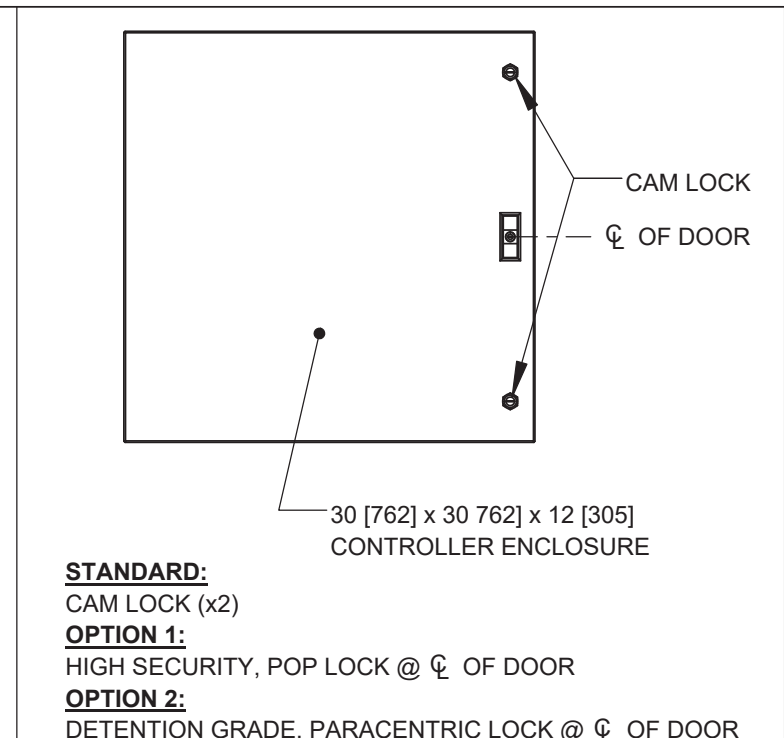
DETAIL E1
STANDARD T-HANDLE ACCESS POINT LOCK



DETAIL E2
OPTIONAL HIGH SECURITY LOCK

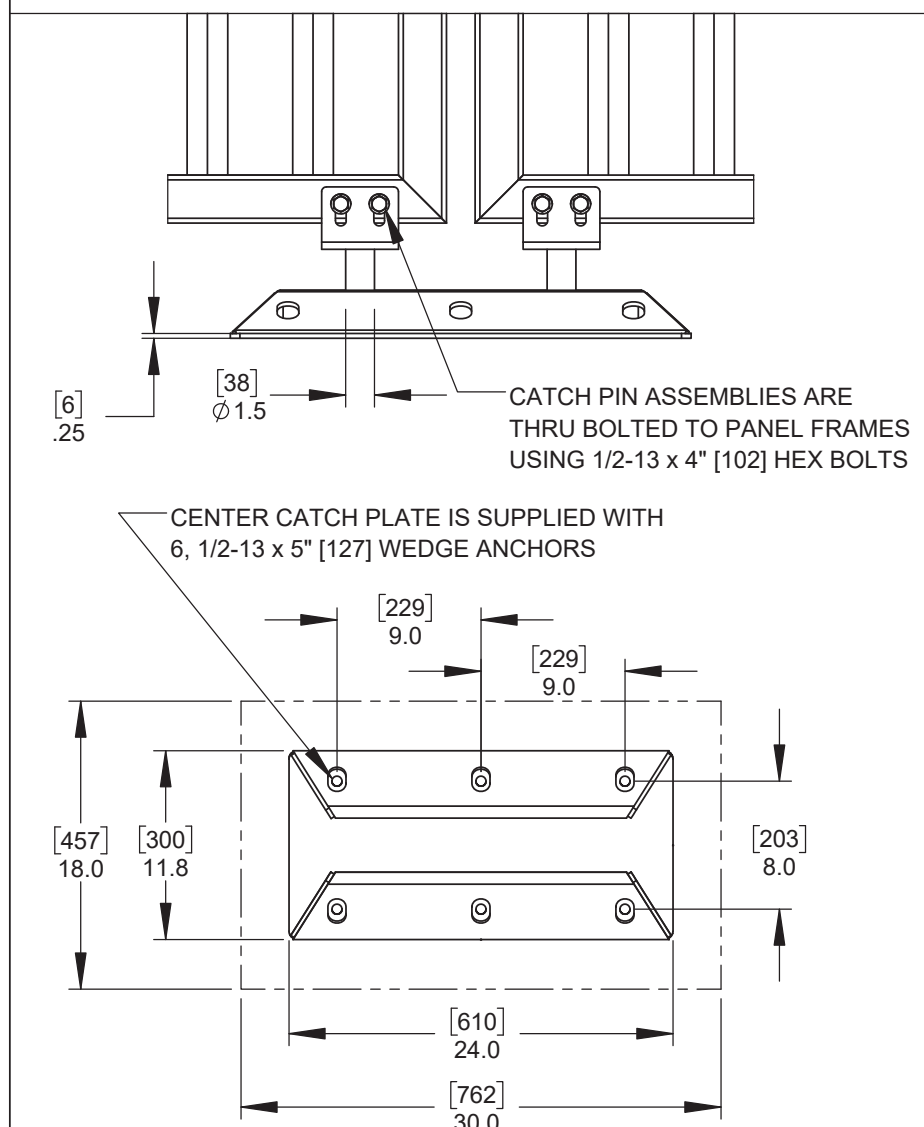


DETAIL E3
OPTIONAL DETENTION GRADE LOCK

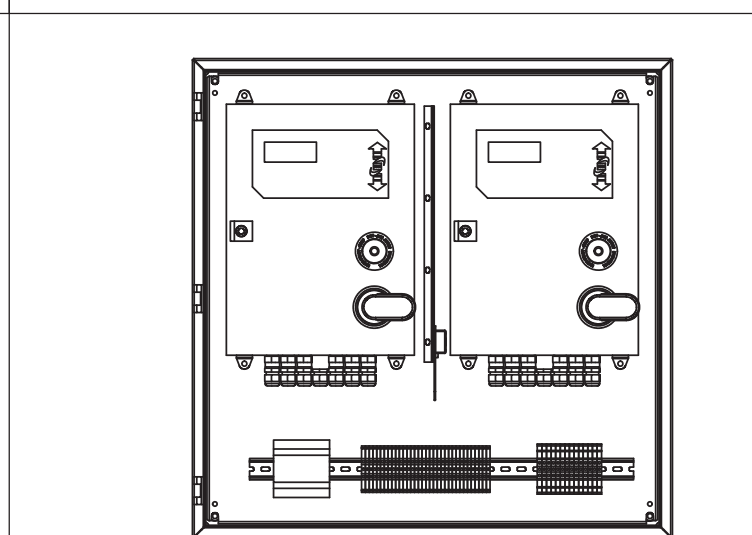


STANDARD:
CAM LOCK (x2)
OPTION 1:
HIGH SECURITY, POP LOCK @ CL OF DOOR
OPTION 2:
DETENTION GRADE, PARACENTRIC LOCK @ CL OF DOOR

DETAIL F CONTROLLER ENCLOSURE LOCK



DETAIL G OPTIONAL CENTER CATCH PLATE

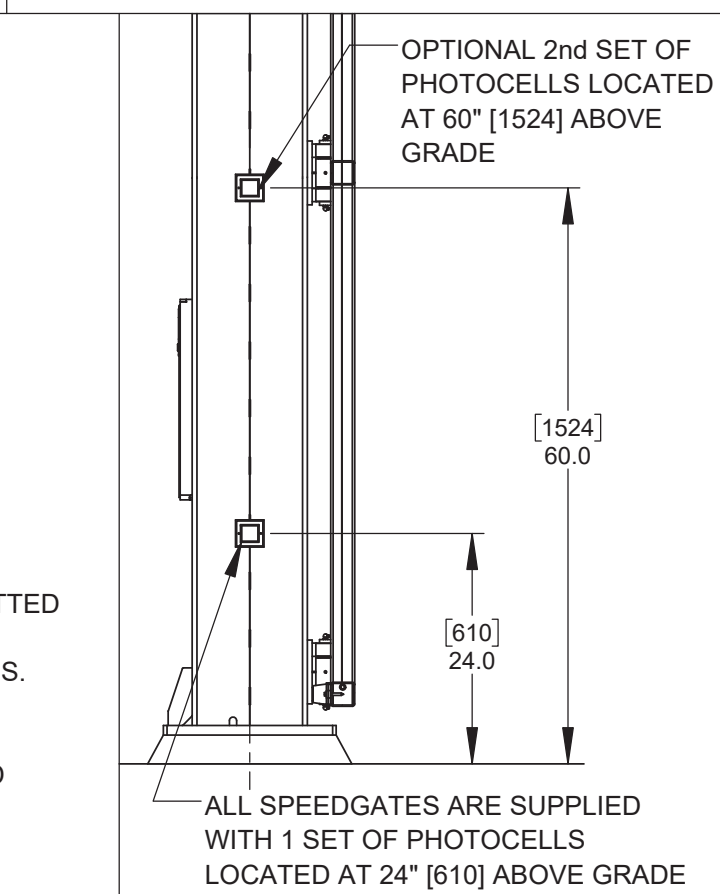


THE NEMA 3R CONTROLLER ENCLOSURE CAN BE FITTED WITH OPTIONAL HEATING OR COOLING KITS TO ACCOMMODATE A WIDE RANGE OF TEMPERATURES.

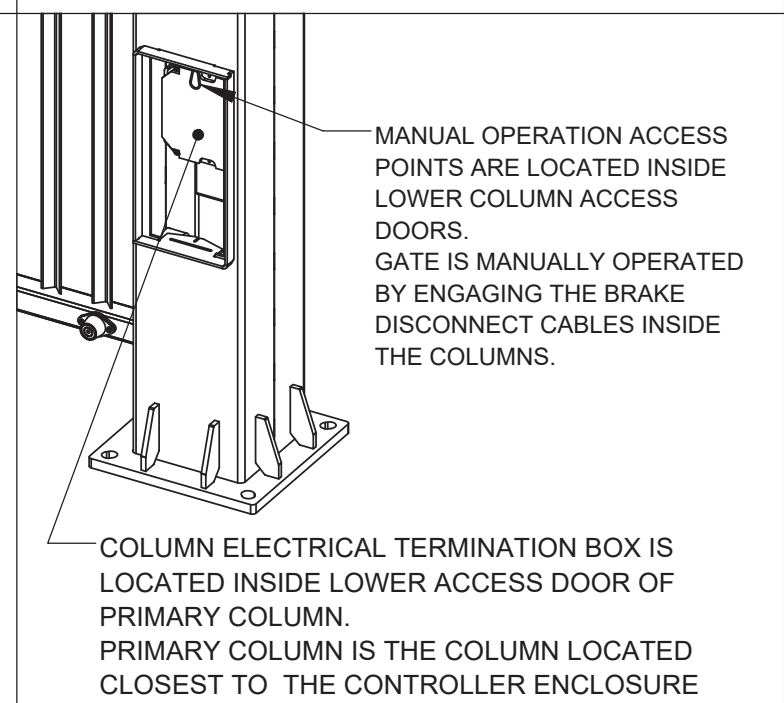
OPTIONAL HOT WEATHER KIT INCLUDES:
EXHAUST FAN, VENT GRILLES, RAIN SHROUDS AND THERMOSTAT.

OPTIONAL COLD WEATHER KIT INCLUDES:
320 WATT SELF-REGULATING HEATER, THERMAL COVER. THERMAL COVER IS ONLY AVAILABLE IF CONTROLLER ENCLOSURE IS FREE STANDAING.

DETAIL H ENVIROMENTAL CONTROLS



DETAIL I PHOTOCELLS

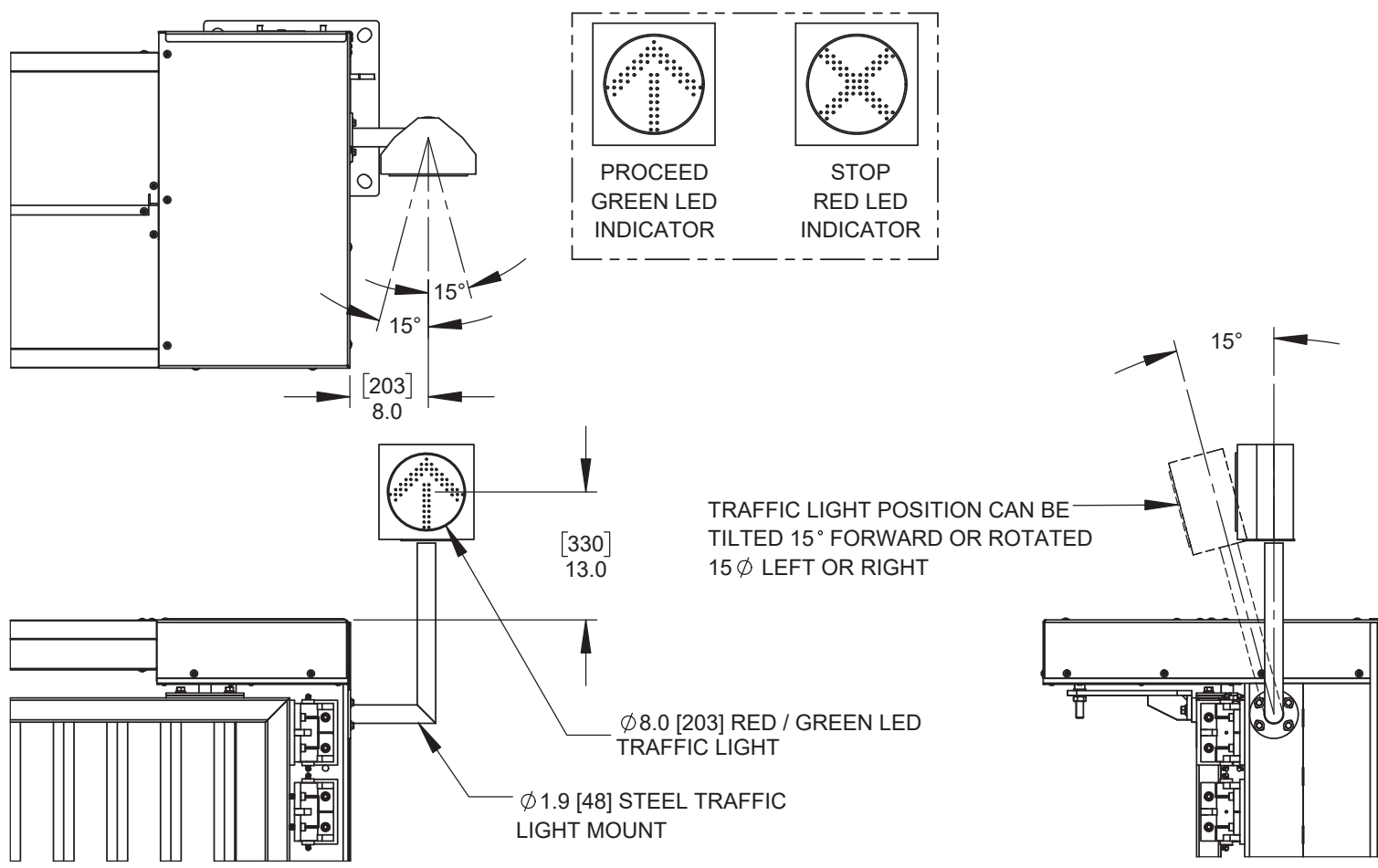


DETAIL J MANUAL OPERATION ACCESS POINT / COLUMN ELECTRICAL TERMINATION

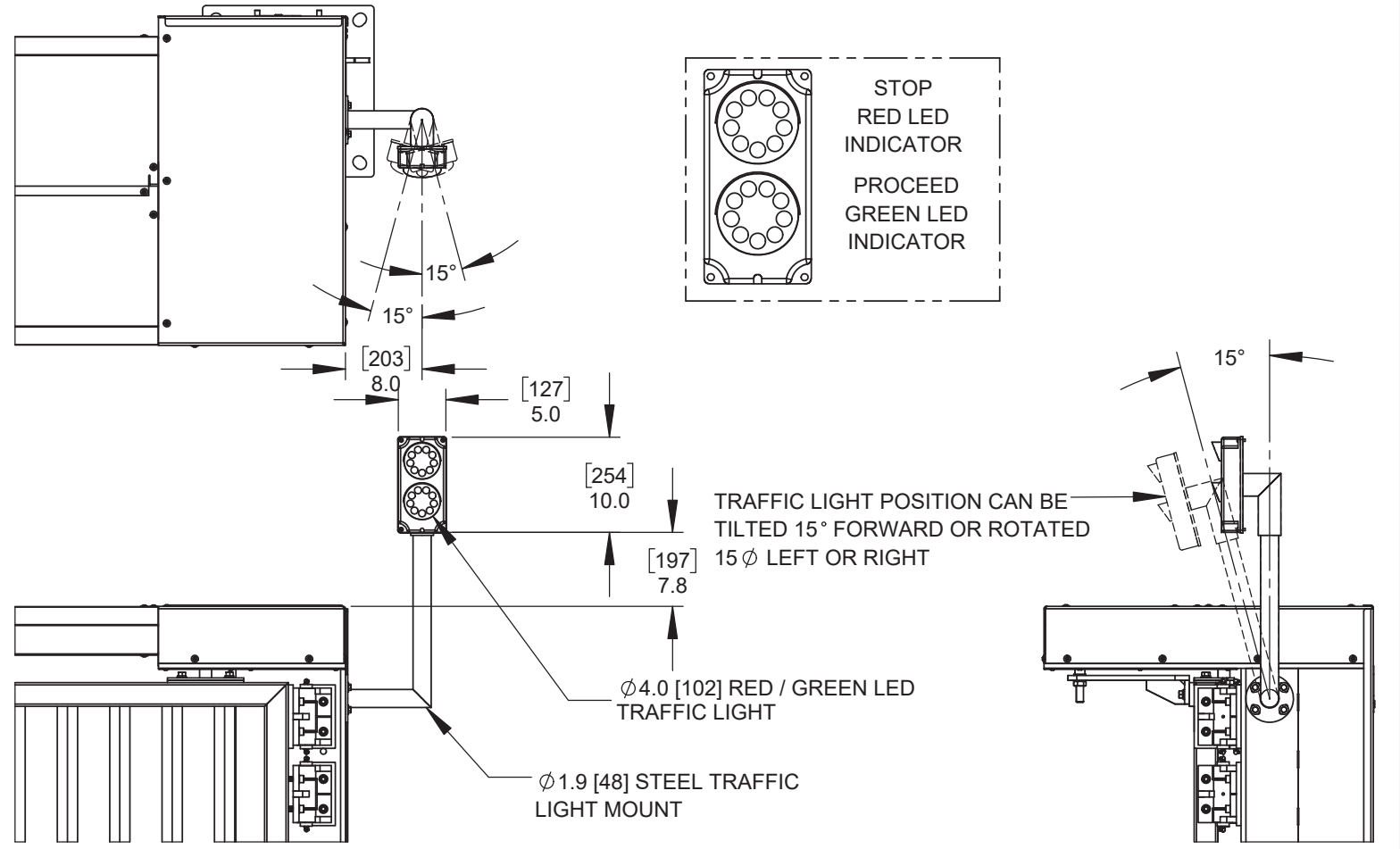


115 Lowson Crescent
Winnipeg, Manitoba, Canada, R3P 1A6
Phone: 1-866-300-1110
Fax: 1-204-284-1868
Web: www.wallaceperimetersecurity.com

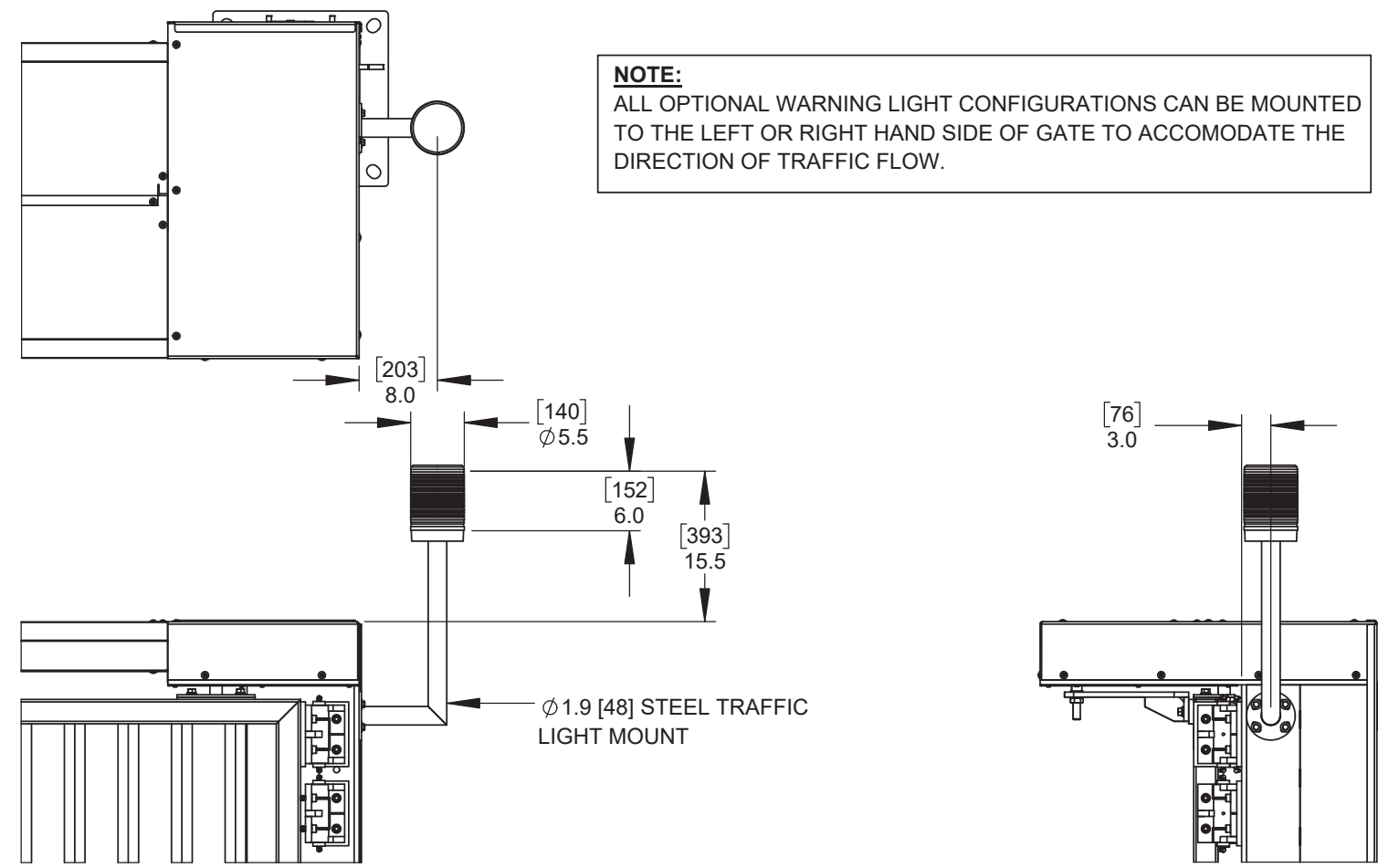
Description:		PDDT POST DRIVE TOP TRACK SPEEDGATE	
Customer / Project Name:			
Finish:	Date:	3/13/2019	
Drawing No.	Rev.	Sheet: 3 of 6	
PDDT-03-09-18			



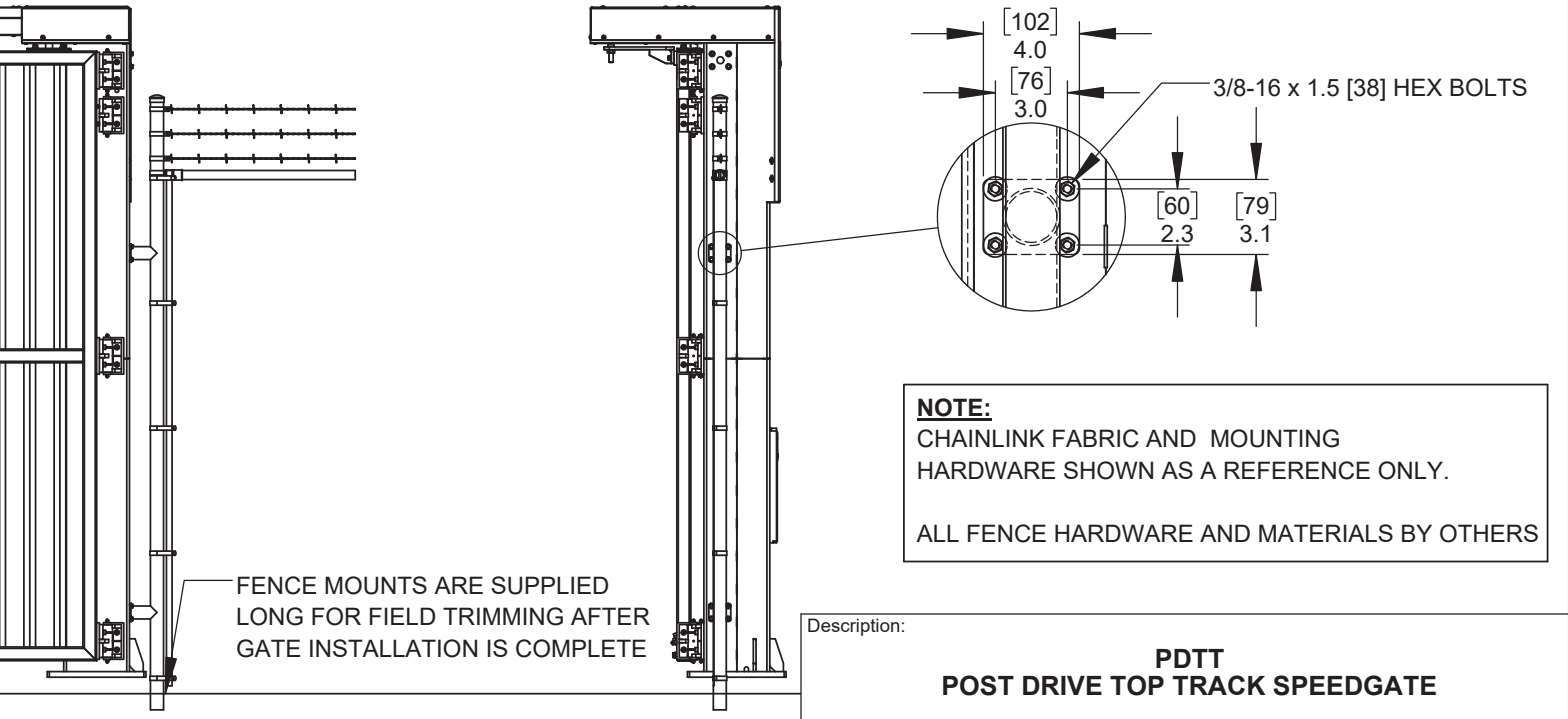
DETAIL K-1 OPTIONAL 8" [203] RED / GREEN LED TRAFFIC LIGHT



DETAIL K-2 OPTIONAL 4" [102] RED / GREEN LED TRAFFIC LIGHT



DETAIL K-3 OPTIONAL AMBER STROBE LIGHT

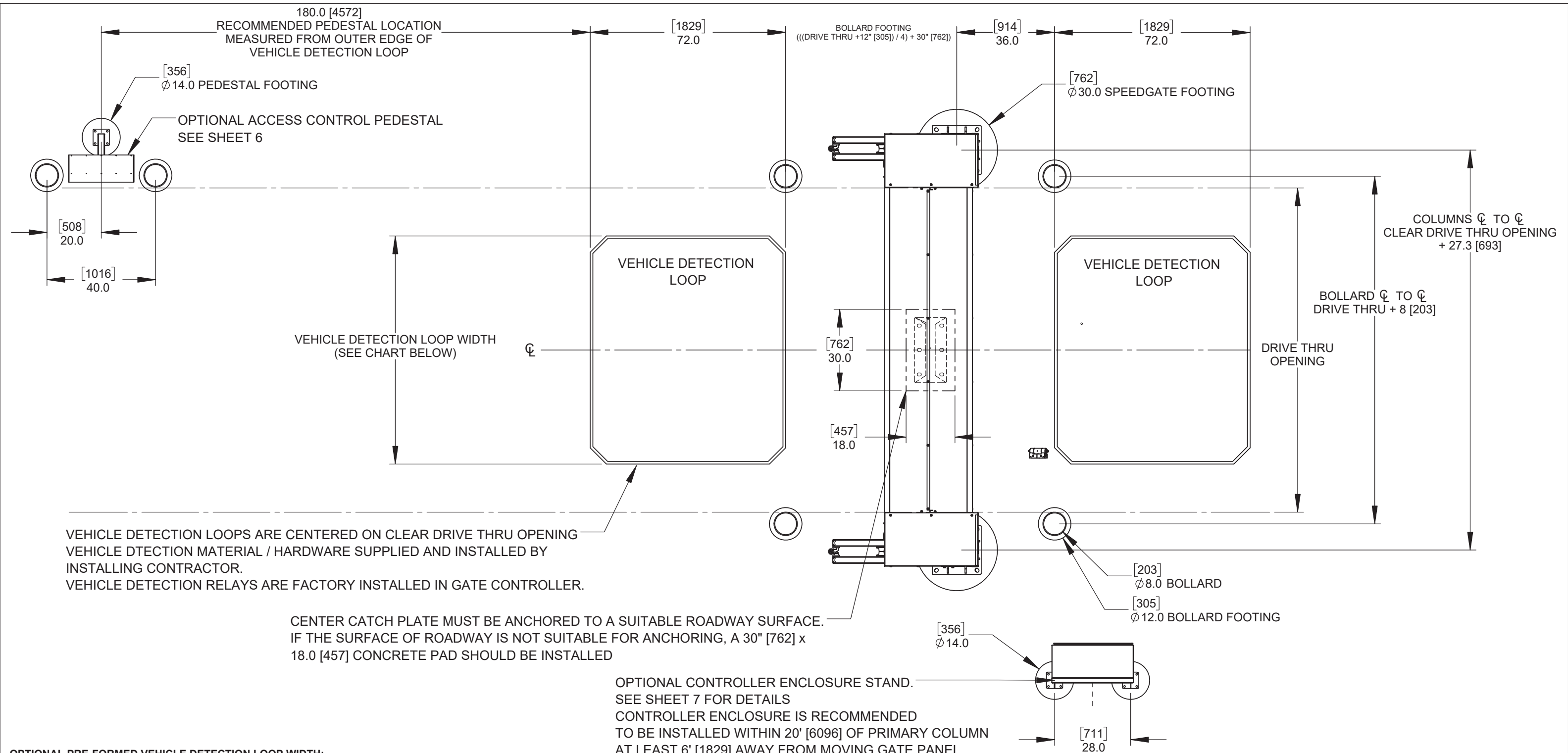


DETAIL L OPTIONAL FENCE MOUNTS

WALLACE
PERIMETER SECURITY

115 Lowson Crescent
Winnipeg, Manitoba, Canada, R3P 1A6
Phone: 1-866-300-1110
Fax: 1-204-284-1868
Web: www.wallaceperimetersecurity.com

Description:		PDDT POST DRIVE TOP TRACK SPEEDGATE	
Customer / Project Name:			
Finish:		Date:	3/13/2019
Drawing No.	PDDT-03-09-18	Rev.	Sheet: 4 of 6



OPTIONAL PRE-FORMED VEHICLE DETECTION LOOP WIDTH:

CLEAR DRIVE THRU OPENING	LOOP WIDTH
10' [3048]	6' [1829]
12' [3658]	8' [2438]
14' [4267]	10' [3048]
16' [4877]	12' [3658]
18' [5486]	14' [4267]
20' [6096]	16' [4877]
23' [7010]	20' [6096]

NOTE:
BOLLARD FOUNDATION LOCATIONS ARE SUPPLIED AS A REFERENCE ONLY.
ALL FINAL MATERIALS AND DIMENSIONS ARE SUPPLIED AND INSTALLED BY OTHERS.

Description:
**PDDT
POST DRIVE TOP TRACK SPPEEDGATE
GENERIC GATE LAYOUT**

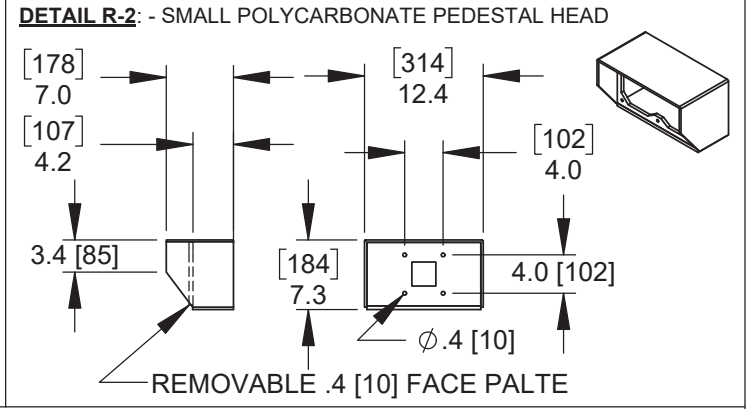
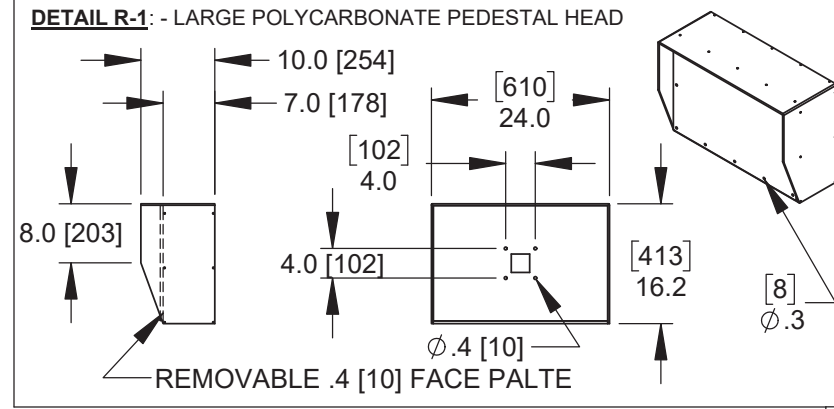
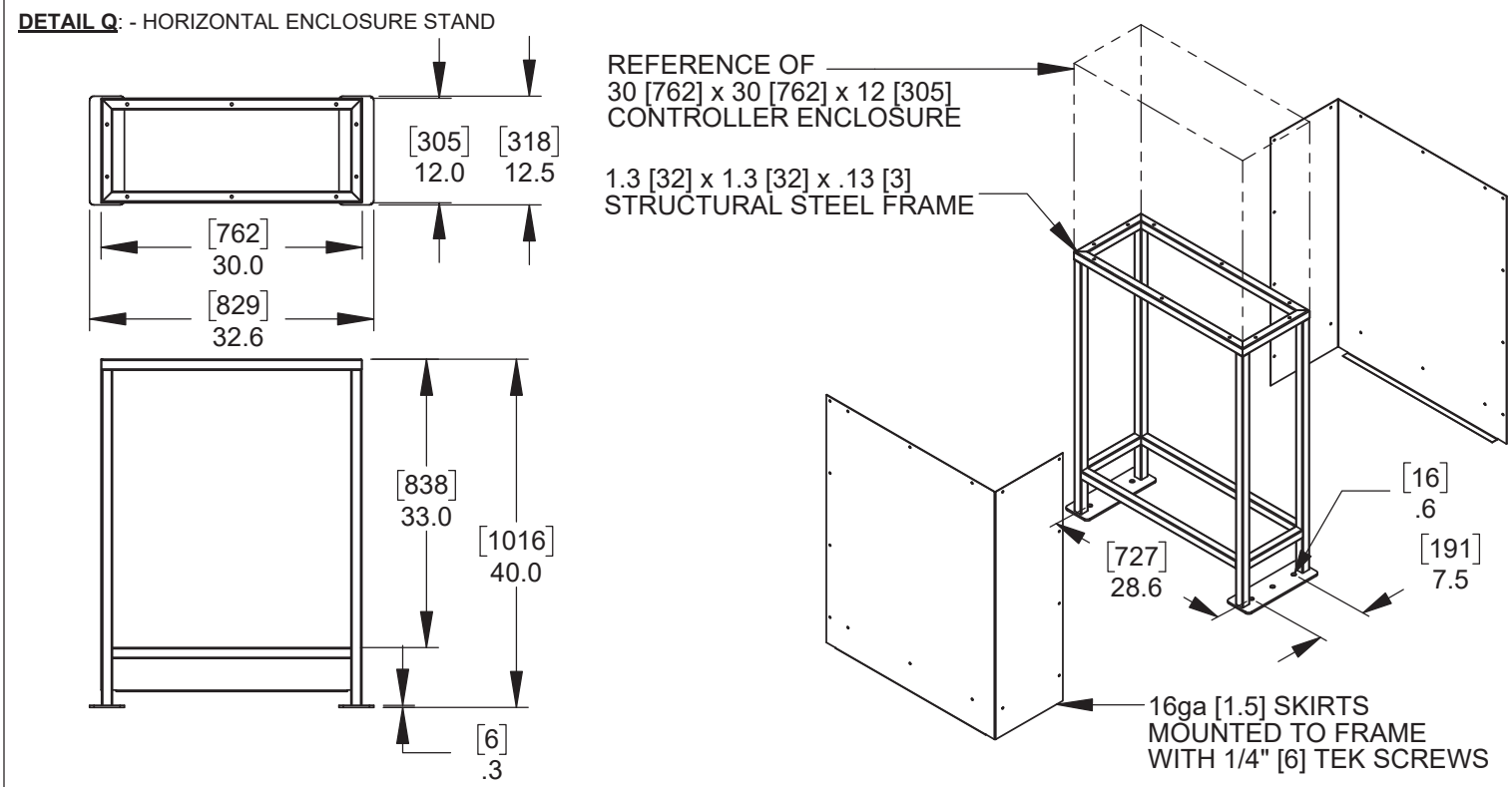
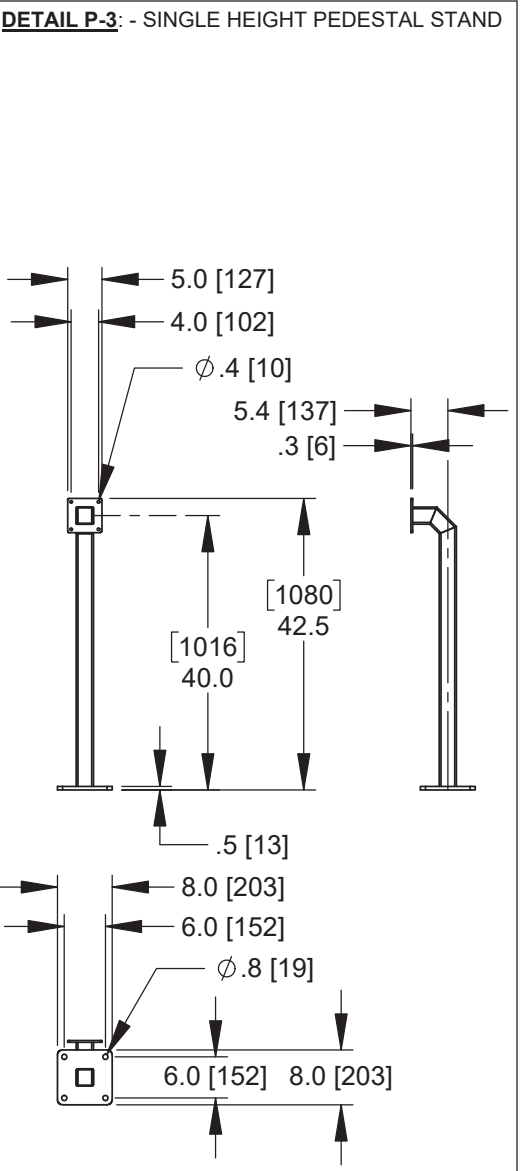
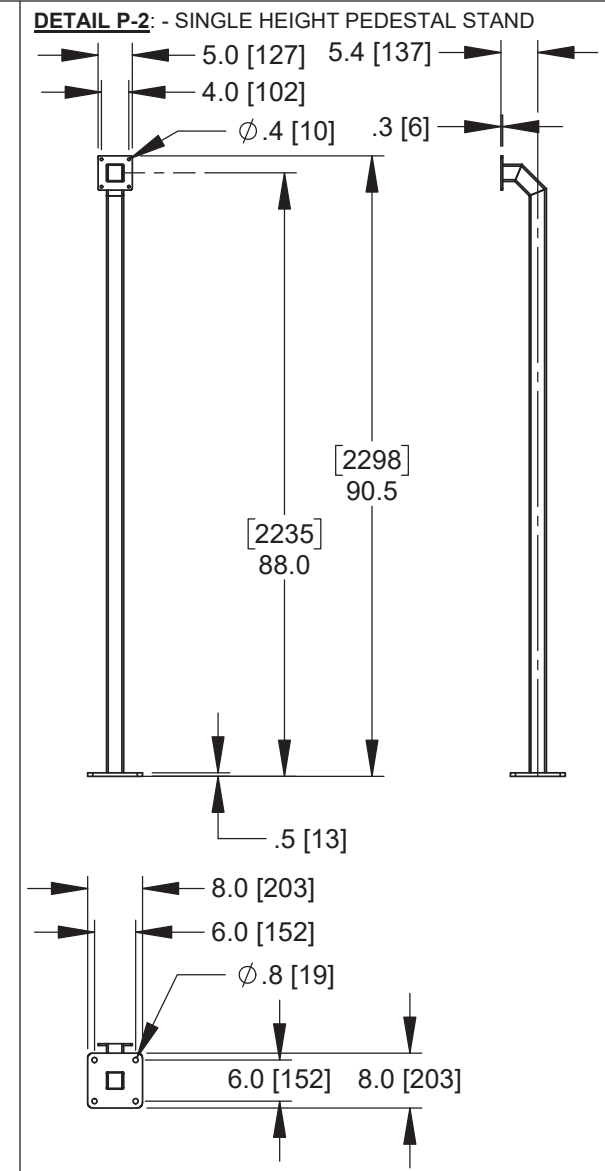
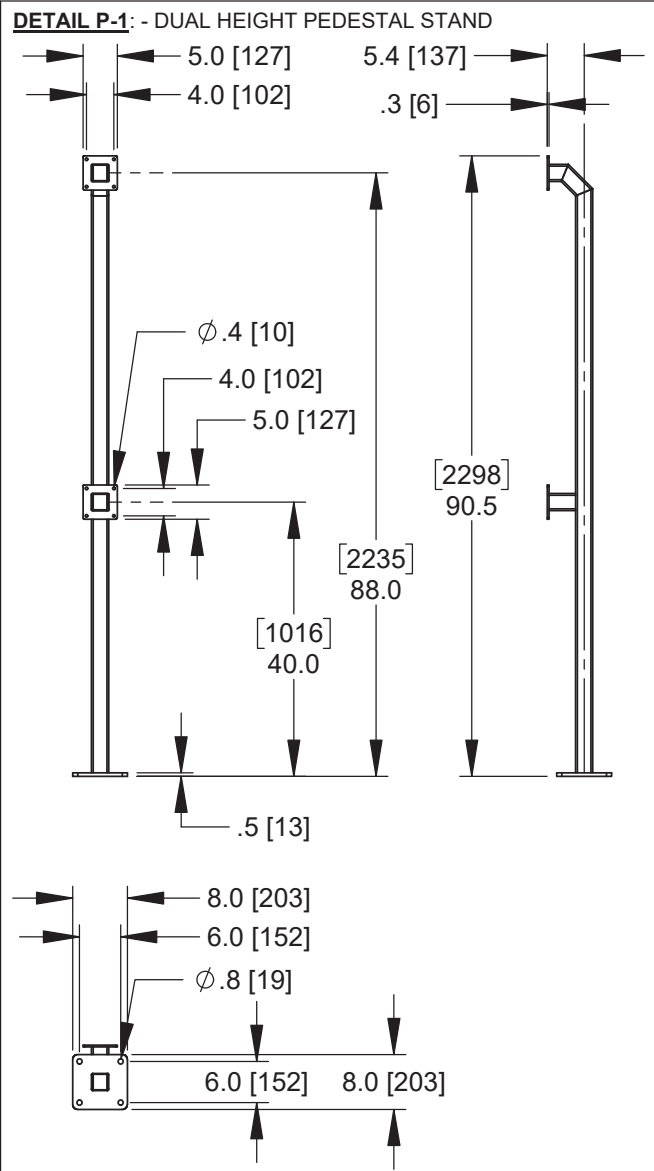
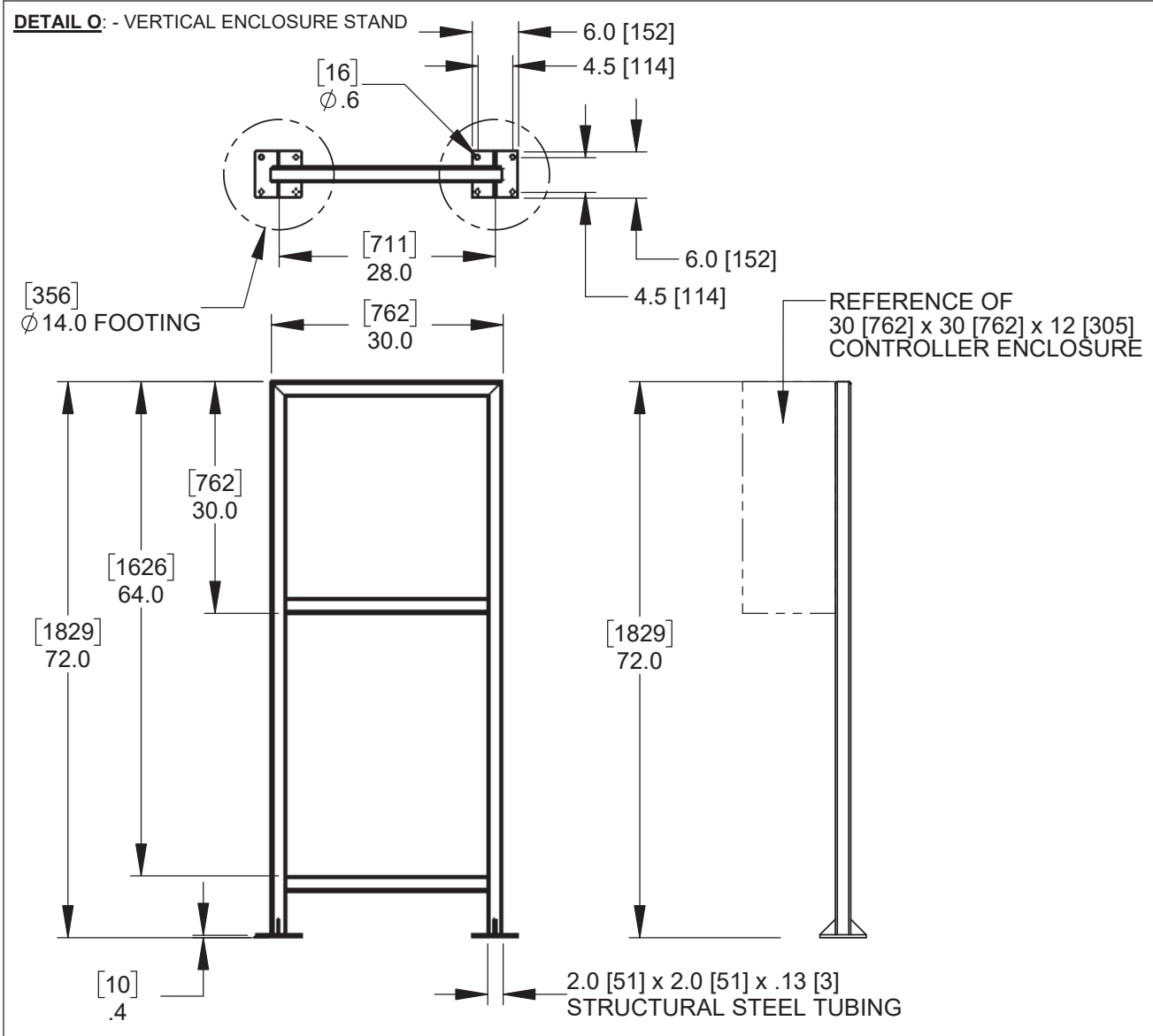
Customer / Project Name:

Finish: Date:
3/9/2018

Drawing No. Rev. Sheet:
PDDT-03-09-18 5 of 6

WALLACE
PERIMETER SECURITY

115 Lowson Crescent
Winnipeg, Manitoba, Canada, R3P 1A6
Phone: 1-866-300-1110
Fax: 1-204-284-1868
Web: www.wallaceperimetersecurity.com



115 Lawson Crescent
Winnipeg, Manitoba, Canada, R3P 1A6
Phone: 1-866-300-1110
Fax: 1-204-284-1868
Web: www.wallaceperimetersecurity.com

Description:		PDDT POST DRIVE TOP TRACK SPEEDGATE CONTROLLER ENCLOSURE STANDS PEDESTAL HEADS / PEDESTAL STANDS	
Customer / Project Name:			
Finish:	Date:	3/21/2019	
Drawing No.	Rev.	Sheet:	
PDDT-03-09-18		6 of 6	