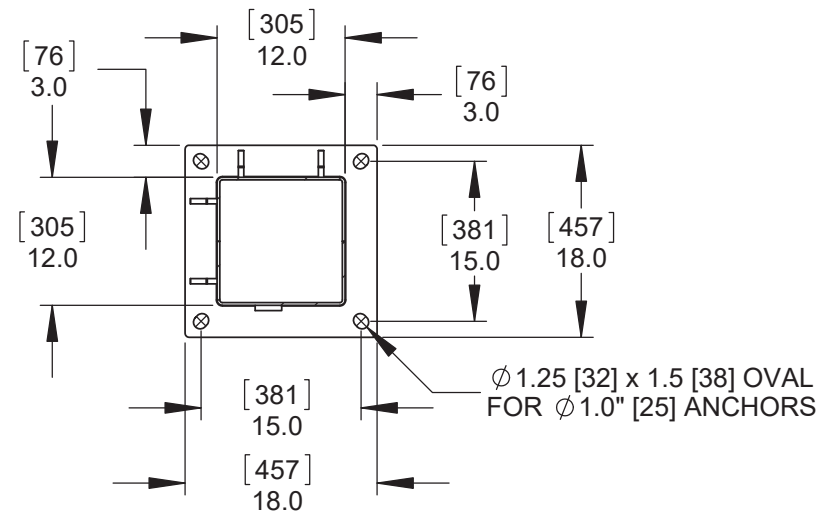


SECTION B-B - COLUMN BASE PLATE

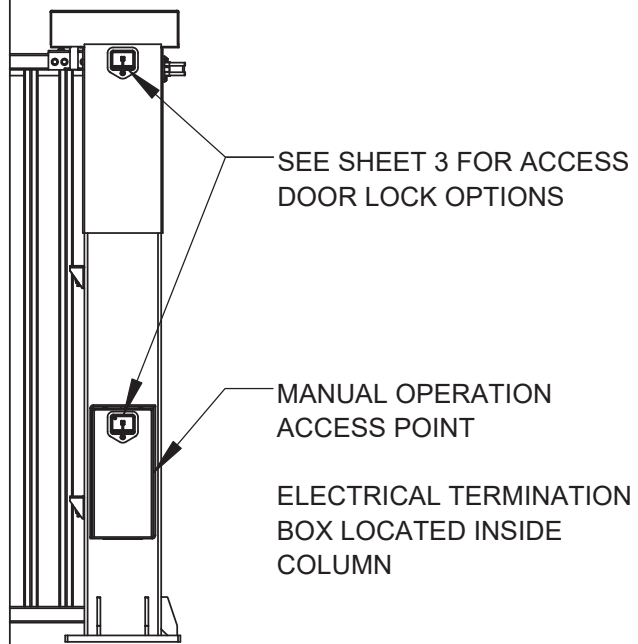


GATE HEIGHTS

6' [1.8M]	72.0" [1829]	
7' [2.1M]	84.0" [2134]	***
8' [2.4M]	96.0" [2438]	
9' [2.7M]	108.0" [2743]	***
10' [3.0M]	120.0" [3048]	

*** 7' [2.1M] & 9' [2.7M] HEIGHTS AVAILABLE BY REQUEST

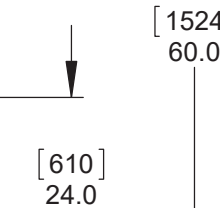
SECTION A-A



NOTE:
THE PRIMARY COLUMN IS THE COLUMN THAT IS LOCATED CLOSEST TO THE CONTROL ENCLOSURE

PHOTOCELLS ARE LOCATED ON INTERIOR FACE OF COLUMNS

OPTIONAL 2nd PHOTOCELL

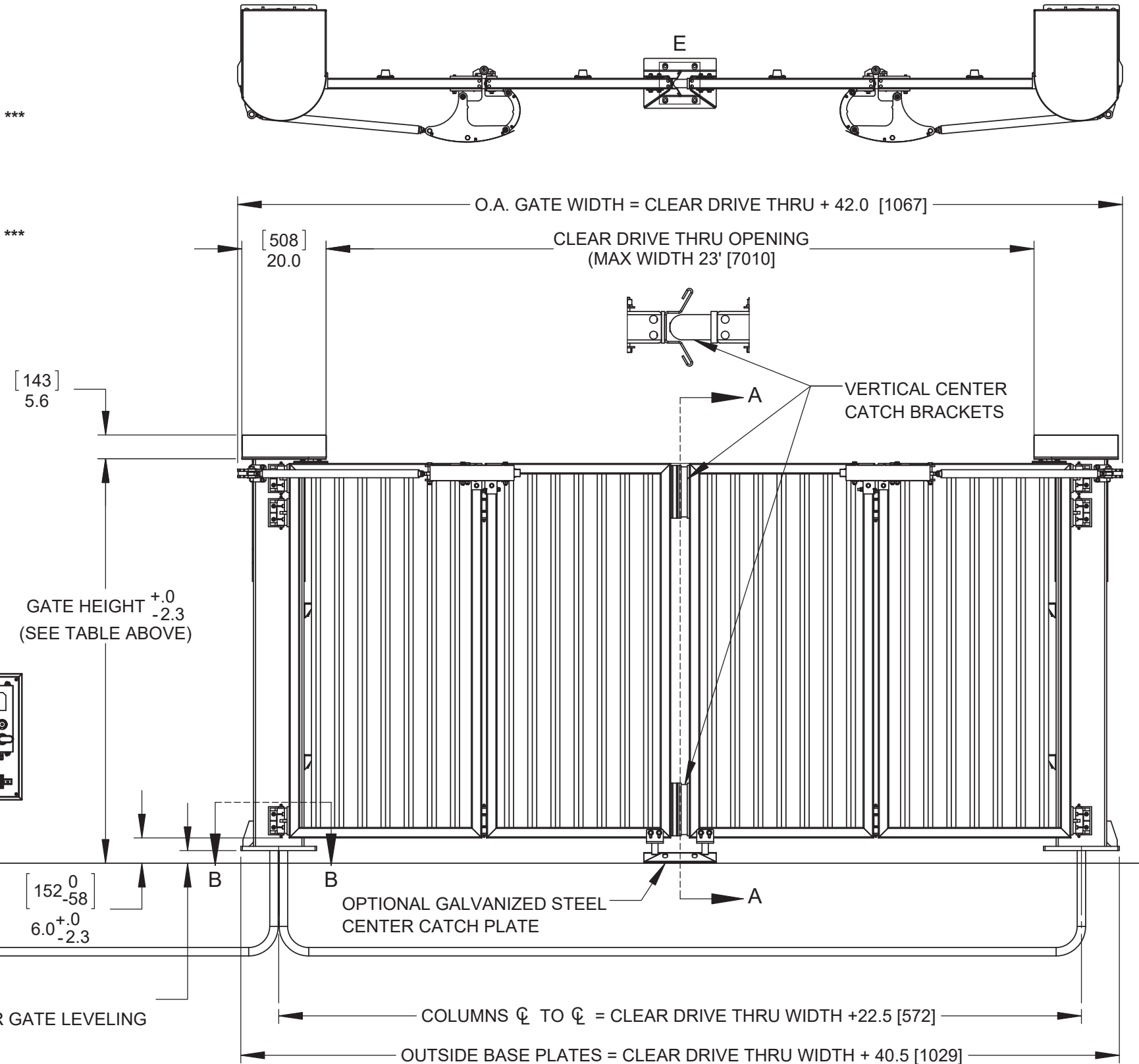


12.0 [305] x 12.0 [305] x .25 [6] COLUMN
18.0 [457] x 18.0 [457] x 1.0 [25] BASE PLATE

2 ELECTRICAL CONTROLLERS ARE MOUNTED IN A 30.0 [762] x 30.0 [762] x 12.0 [305] NEMA 3R ENCLOSURE c/w WIRE HARNESS. STANDARD WIRE HARNESS LENGTH ALLOWS FOR CONTROLLER ENCLOSURE TO BE PLACED UP TO 30' [9144] FROM PRIMARY COLUMN. OPTIONAL EXTENDED WIRE HARNESS IS AVAILABLE WHERE CONTROLLERS ARE TO BE MOUNTED BEYOND STANDARD WIRE HARNESS LENGTH. MAXIMUM WIRE HARNESS LENGTH IS DETERMINED BY DRIVE THRU WIDTH, CONTACT WALLACE PERIMETER SECURITY FOR DETAILS. CONTROLLERS, ENCLOSURE AND WIRE HARNESS BY WALLACE PERIMETER SECURITY CONDUIT, BY OTHERS. SEE SHEET 2 FOR CONDUIT SIZES, QUANTITIES AND REQUIREMENTS.
POWER REQUIREMENTS: 240V, SINGLE PHASE, 20A

FINISH NOTES:
STANDARD FINISH: HOT DIPPED GALVANIZED ON ALL STEEL COMPONENTS
OPTIONAL POWDER COAT PAINT FINISH AVAILABLE.

NOTE: DIMENSIONS ARE SHOWN IN INCHES, DIMENSIONS SHOWN IN [] ARE IN MILLIMETERS



GATE HEIGHT $+0$ -2.3
(SEE TABLE ABOVE)

152.58 6.0 $+0$ -2.3
 76.58 3.0 $+0$ -2.3 FOR GATE LEVELING

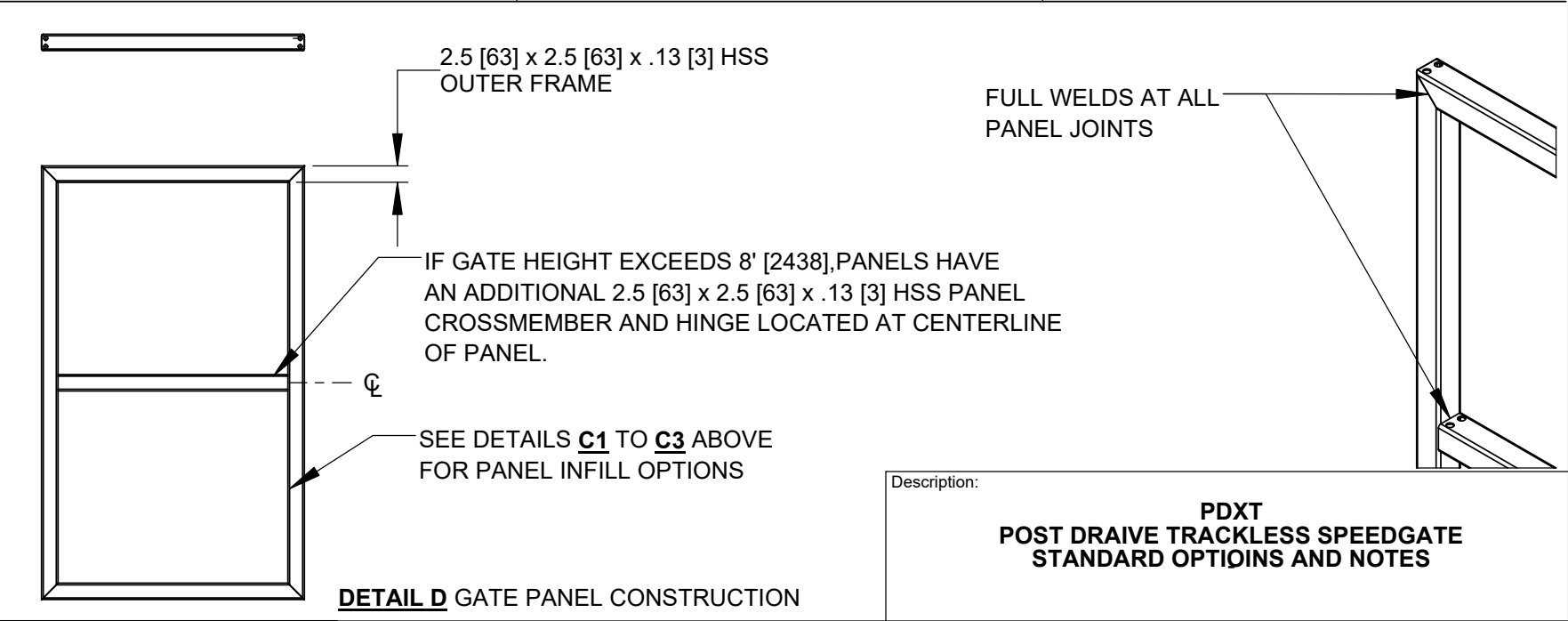
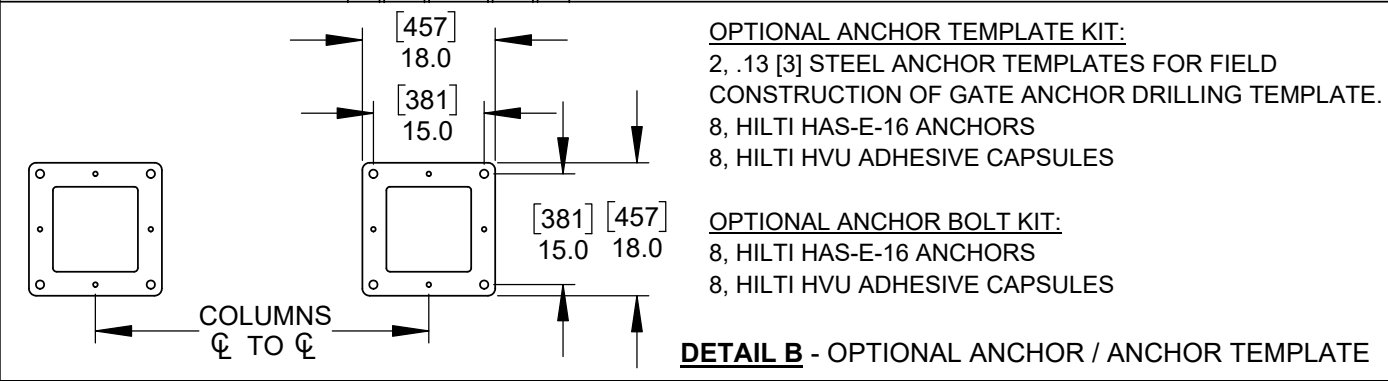
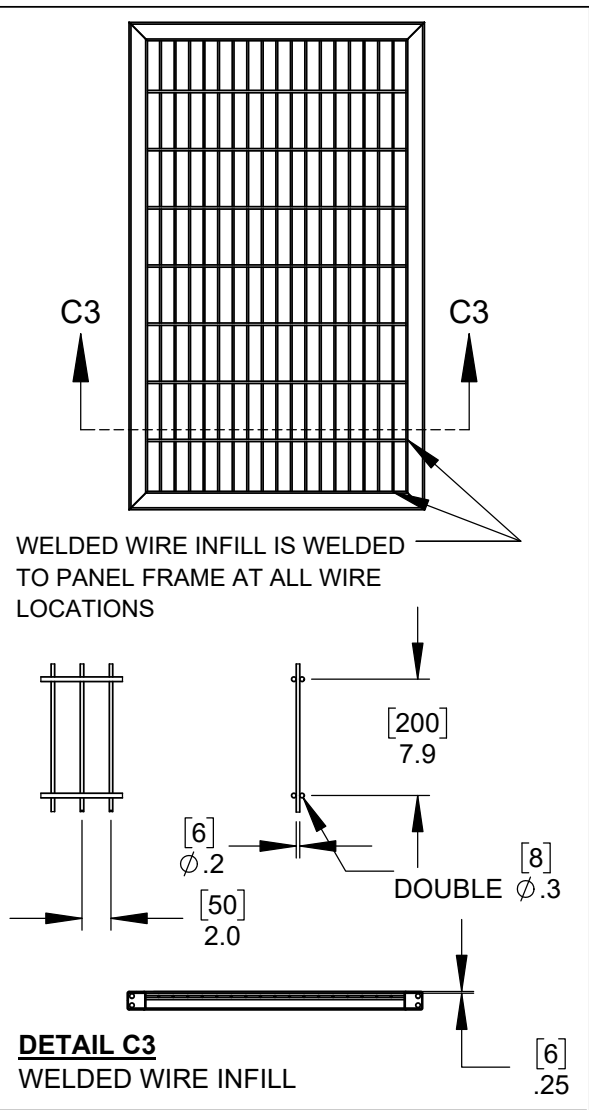
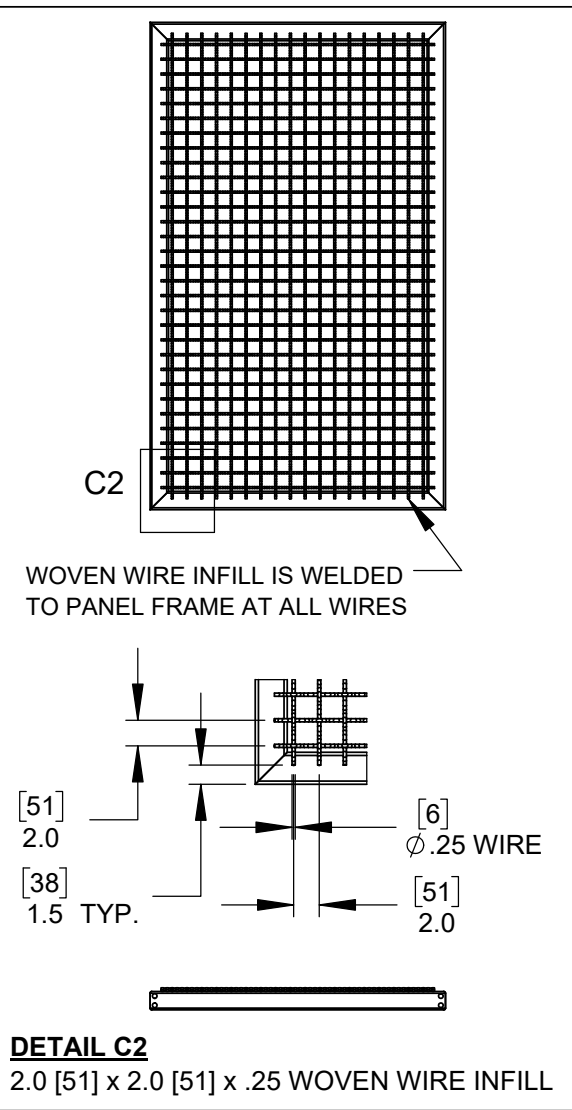
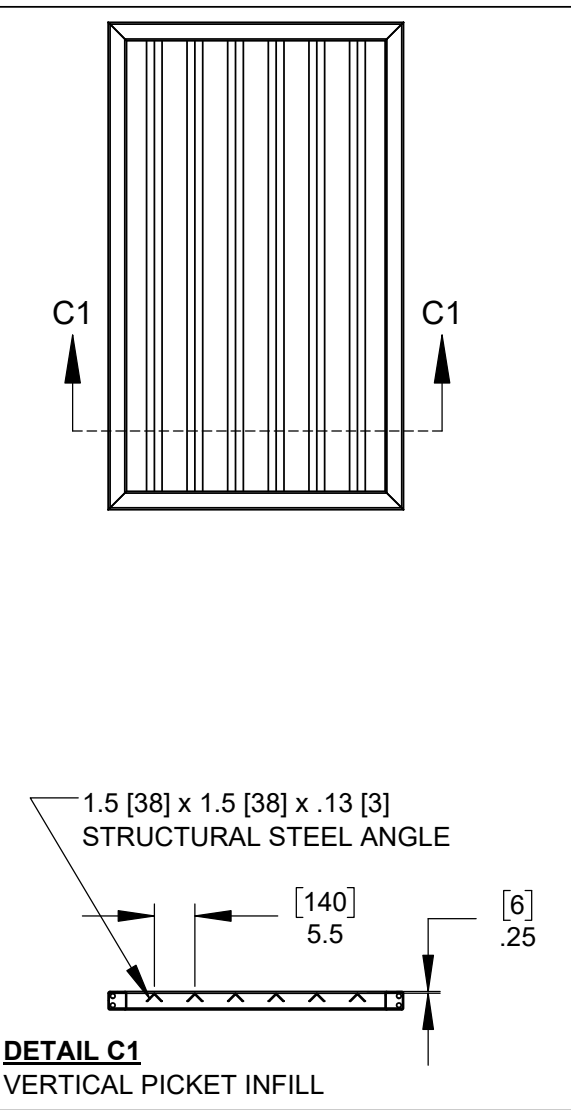
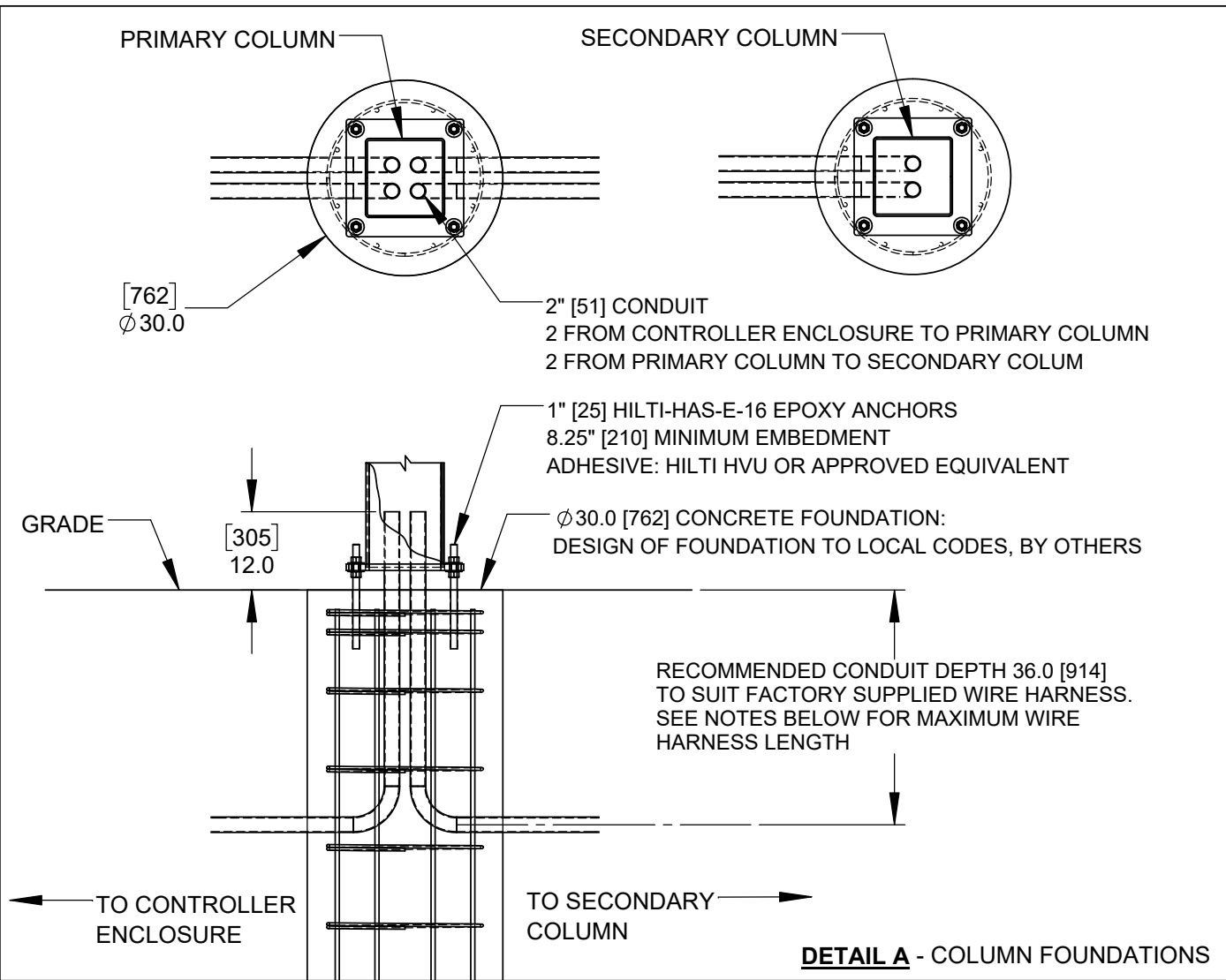
OPTIONAL GALVANIZED STEEL CENTER CATCH PLATE

COLUMNS ϕ TO ϕ = CLEAR DRIVE THRU WIDTH + 22.5 [572]
OUTSIDE BASE PLATES = CLEAR DRIVE THRU WIDTH + 40.5 [1029]

Description:
PDXT POST DRIVE TRACKLESS SPEEDGATE STANDARD DIMENSIONS

Customer / Project Name:
Finish: SEE FINISH NOTES
Date: 2/13/2018
Drawing No. PDXT-02-12-18
Rev.
Sheet: 1 of 7

115 Lowson Crescent
Winnipeg, Manitoba, Canada, R3P 1A6
Phone: 1-866-300-1110
Fax: 1-204-284-1868
Web: www.wallaceperimetersecurity.com



INCLUDED WITH SPEEDGATE:

- 2 ELECTRONIC GATE CONTROLLERS MOUNTED IN A 30" [762] x 30" [762] x 12" [305] NEMA 3R ENCLOSURE.
- ELECTRICAL HARNESS TO CONNECT GATE CONTROLLERS TO DRIVE COMPONENTS. STANDARD WIRING HARNESS LENGTH ALLOWS FOR THE CONTROL ENCLOSURE TO BE MOUNTED UP TO 30' [9144] FROM PRIMARY COLUMN. OPTIONAL EXTENDED WIRING HARNESS IS AVAILABLE. CONTACT WALLACE PERIMETER SECURITY FOR DETAILS.
- KEY(S) AND LOCK(S) FOR ALL ACCESS PANELS, SEE SHEET 3, DETAILS E1 TO E4 FOR AVAILABLE LOCK OPTIONS.

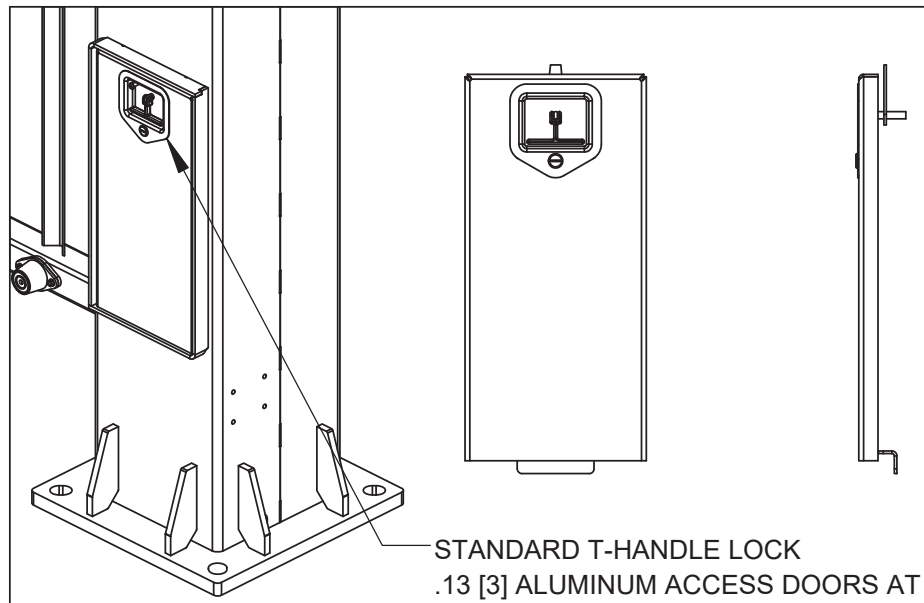
NOT INCLUDED WITH SPEEDGATE:

- GATE MOUNTING HARDWARE, OPTIONAL ANCHOR BOLT OR ANCHOR BOLT & TEMPLATE KITS AVAILABLE.
- VEHICLE DETECTION LOOPS
- GROUT TO FILL GAP UNDER COLUMN BASE PLATES WHEN GATE INSTALLATION / LEVELING IS COMPLETE

WALLACE
PERIMETER SECURITY

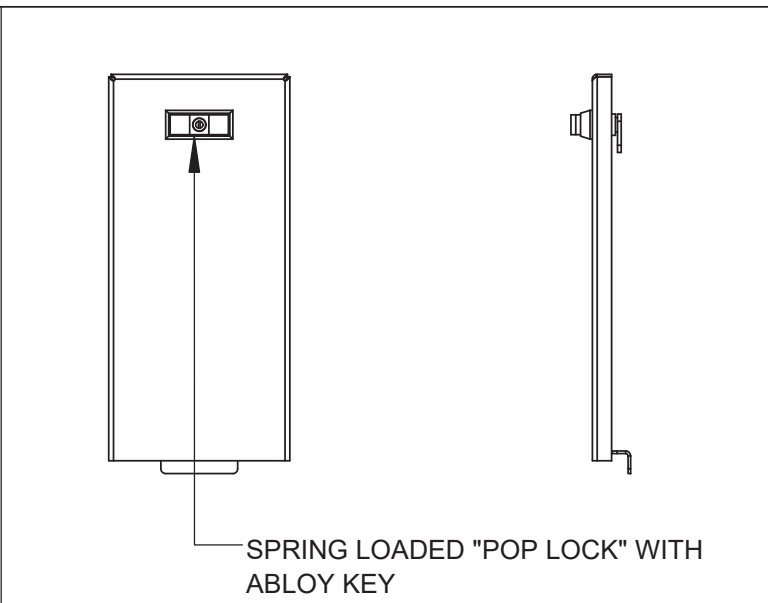
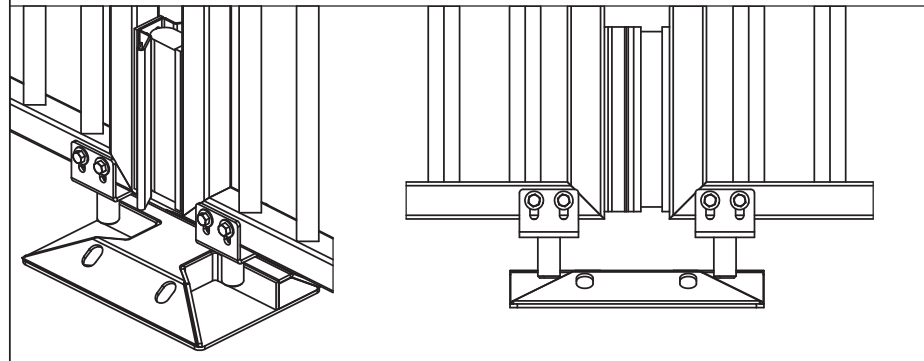
115 Lowson Crescent
Winnipeg, Manitoba, Canada, R3P 1A6
Phone: 1-866-300-1110
Fax: 1-204-284-1868
Web: www.wallaceperimetersecurity.com

Description: PDXT POST DRAIVE TRACKLESS SPEEDGATE STANDARD OPTIOINS AND NOTES		
Customer / Project Name:		
Finish: SEE FINISH NOTES ON SHEET 1	Date: 3/21/2019	
Drawing No. PDXT-02-12-18	Rev.	Sheet: 2 of 7



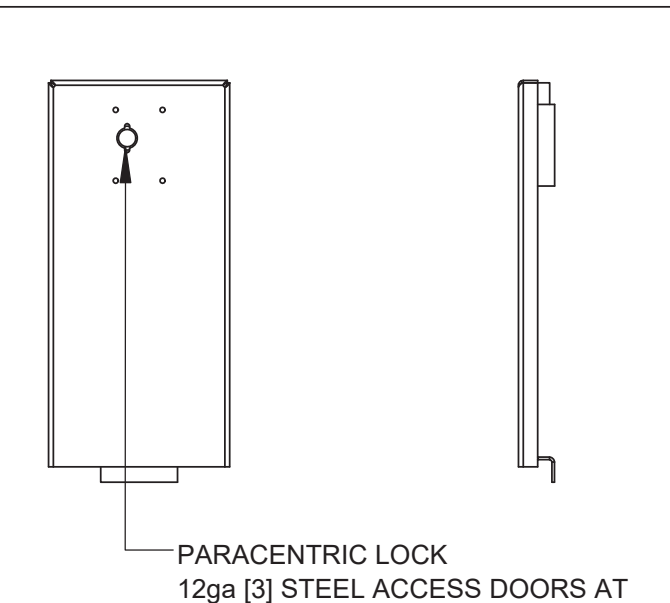
STANDARD T-HANDLE LOCK
 .13 [3] ALUMINUM ACCESS DOORS AT
 ALL COLUMN ACCESS POINTS

DETAIL E1
 STANDARD T-HANDLE ACCESS POINT LOCK



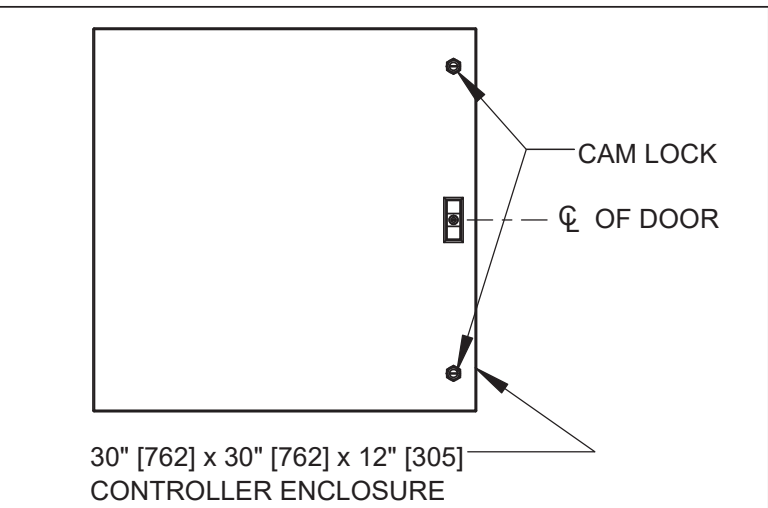
SPRING LOADED "POP LOCK" WITH
 ABLOY KEY
 .13 [3] ALUMINUM ACCESS DOORS AT
 ALL COLUMN ACCESS POINTS

DETAIL E2
 OPTIONAL HIGH SECURITY LOCK



PARACENTRIC LOCK
 12ga [3] STEEL ACCESS DOORS AT
 ALL COLUMN ACCESS POINTS

DETAIL E3
 OPTIONAL DETENTION GRADE LOCK



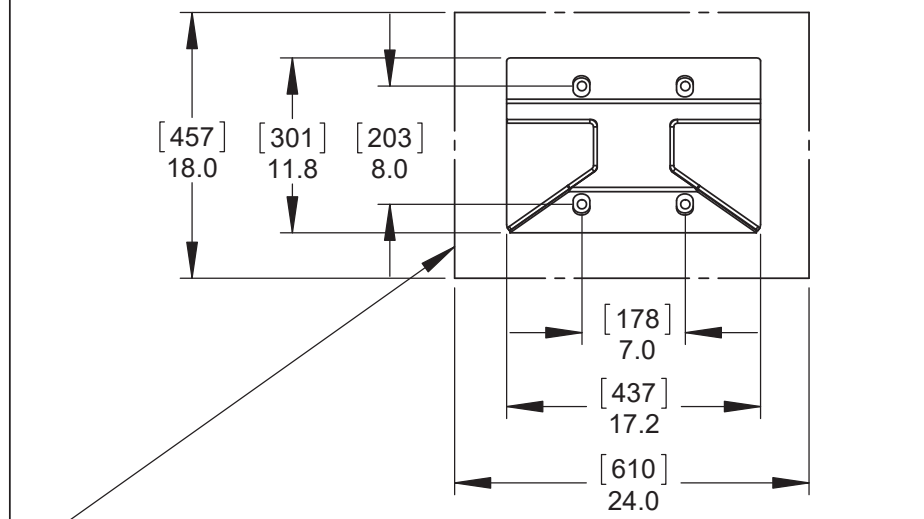
30" [762] x 30" [762] x 12" [305]
 CONTROLLER ENCLOSURE

STANDARD:
 CAM LOCK (x2)

OPTION 1:
 HIGH SECURITY, POP LOCK @ ϕ OF DOOR

OPTION 1:
 DETENTION GRADE, PARACENTRIC LOCK @ ϕ OF DOOR

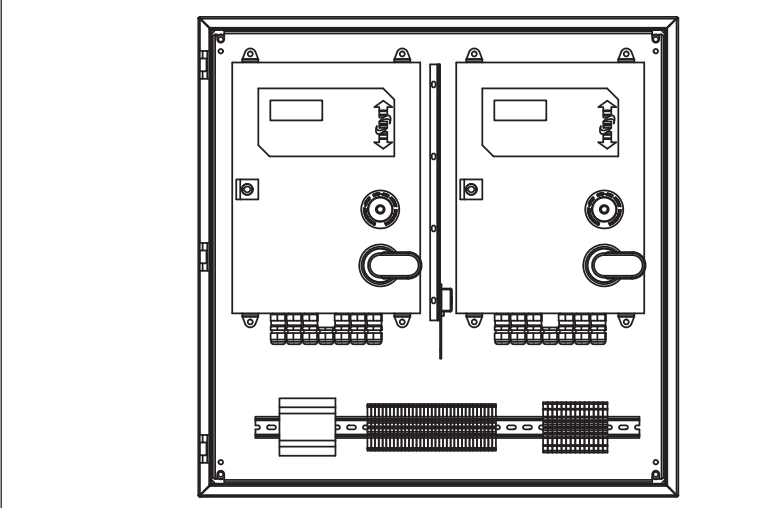
DETAIL F CONTROLLER ENCLOSURE LOCK



CENTER CATCH PLATE MUST BE ANCHORED TO A SUITABLE ROADWAY SURFACE. IF ROADWAY IS NOT SUITABLE FOR ANCHORING, A 24.0" [610] x 18.0 [457] PAD MUST BE INSTALLED.

CENTER CATCH PLATE IS SUPPLIED WITH 4, 1/2" [13] x 5" [127] WEDGE ANCHORS.

DETAIL G OPTIONAL CENTER CATCH PLATE

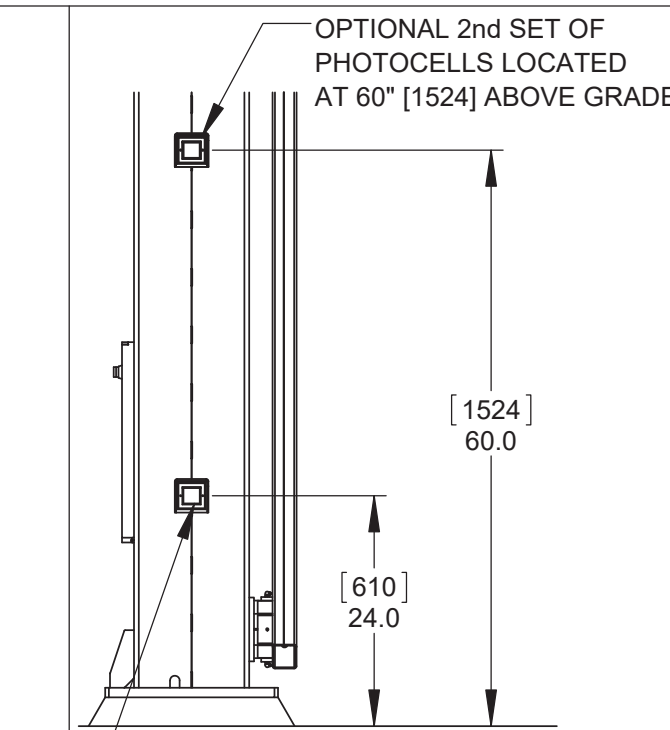


THE NEMA 3R CONTROLLER ENCLOSURE CAN BE FITTED WITH OPTIONAL HEATING OR COOLING KITS TO ACCOMMODATE A WIDE RANGE OF TEMPERATURES.

OPTIONAL HOT WEATHER KIT INCLUDES:
 EXHAUST FAN, VENT GRILLES, RAIN SHROUDS AND THERMOSTAT.

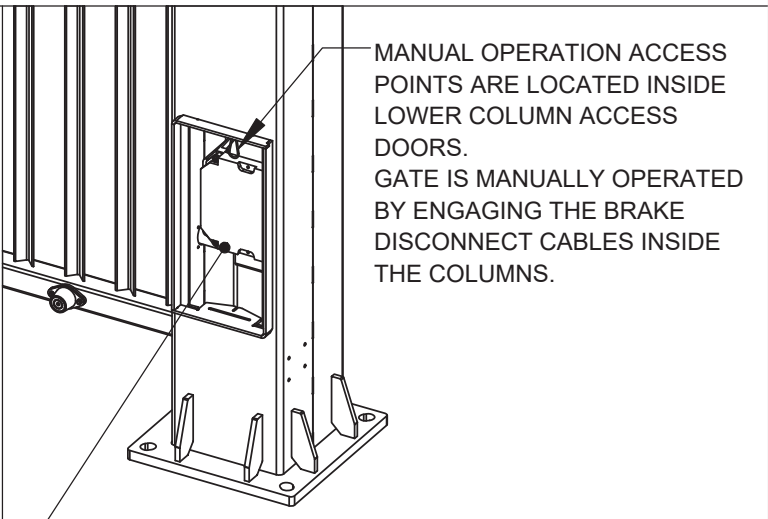
OPTIONAL COLD WEATHER KIT INCLUDES:
 320 WATT SELF-REGULATING HEATER, THERMAL COVER. THERMAL COVER IS ONLY AVAILABLE IF CONTROLLER ENCLOSURE IS FREE STANDING.

DETAIL H ENVIRONMENTAL CONTROLS



ALL SPEEDGATES ARE SUPPLIED WITH 1 SET OF PHOTOCELLS LOCATED AT 24" [610] ABOVE GRADE

DETAIL I PHOTOCELLS



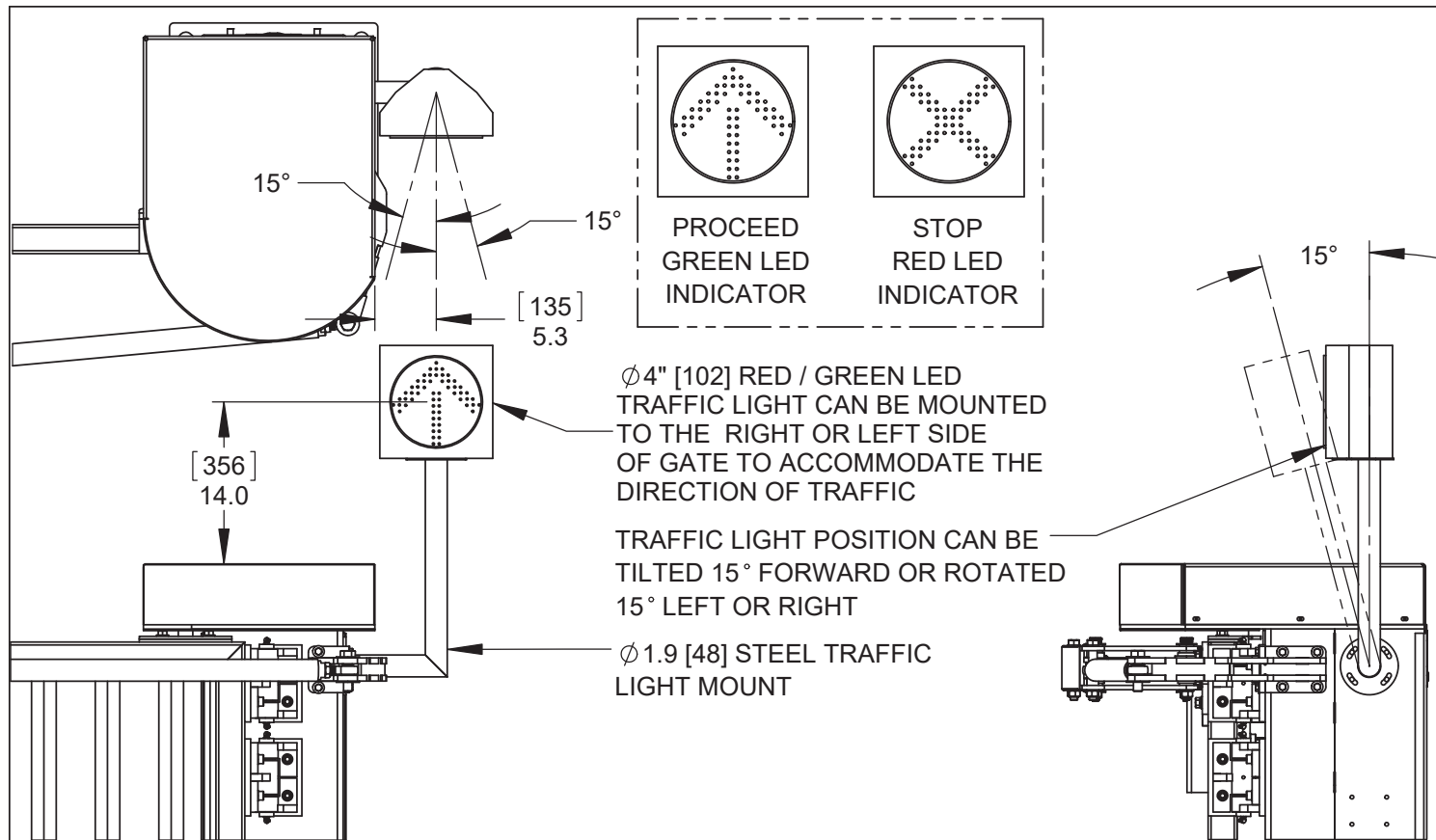
MANUAL OPERATION ACCESS POINTS ARE LOCATED INSIDE LOWER COLUMN ACCESS DOORS. GATE IS MANUALLY OPERATED BY ENGAGING THE BRAKE DISCONNECT CABLES INSIDE THE COLUMNS.

COLUMN ELECTRICAL TERMINATION BOX IS LOCATED INSIDE LOWER ACCESS DOOR OF PRIMARY COLUMN. PRIMARY COLUMN IS THE COLUMN LOCATED CLOSEST TO THE CONTROLLER ENCLOSURE

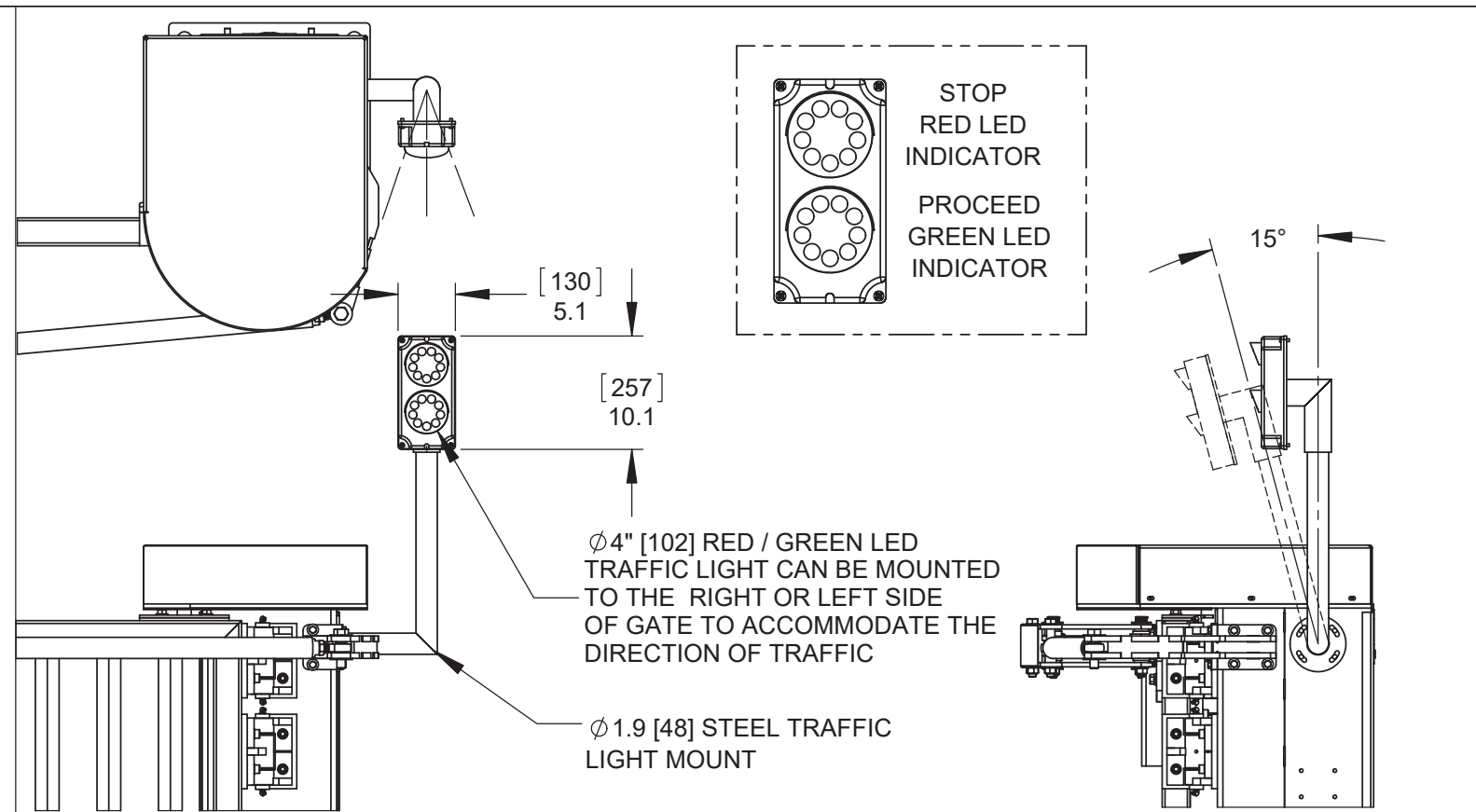
DETAIL J MANUAL OPERATION ACCESS POINT / COLUMN ELECTRICAL TERMINATION

115 Lowson Crescent
 Winnipeg, Manitoba, Canada, R3P 1A6
 Phone: 1-866-300-1110
 Fax: 1-204-284-1868
 Web: www.wallaceperimetersecurity.com

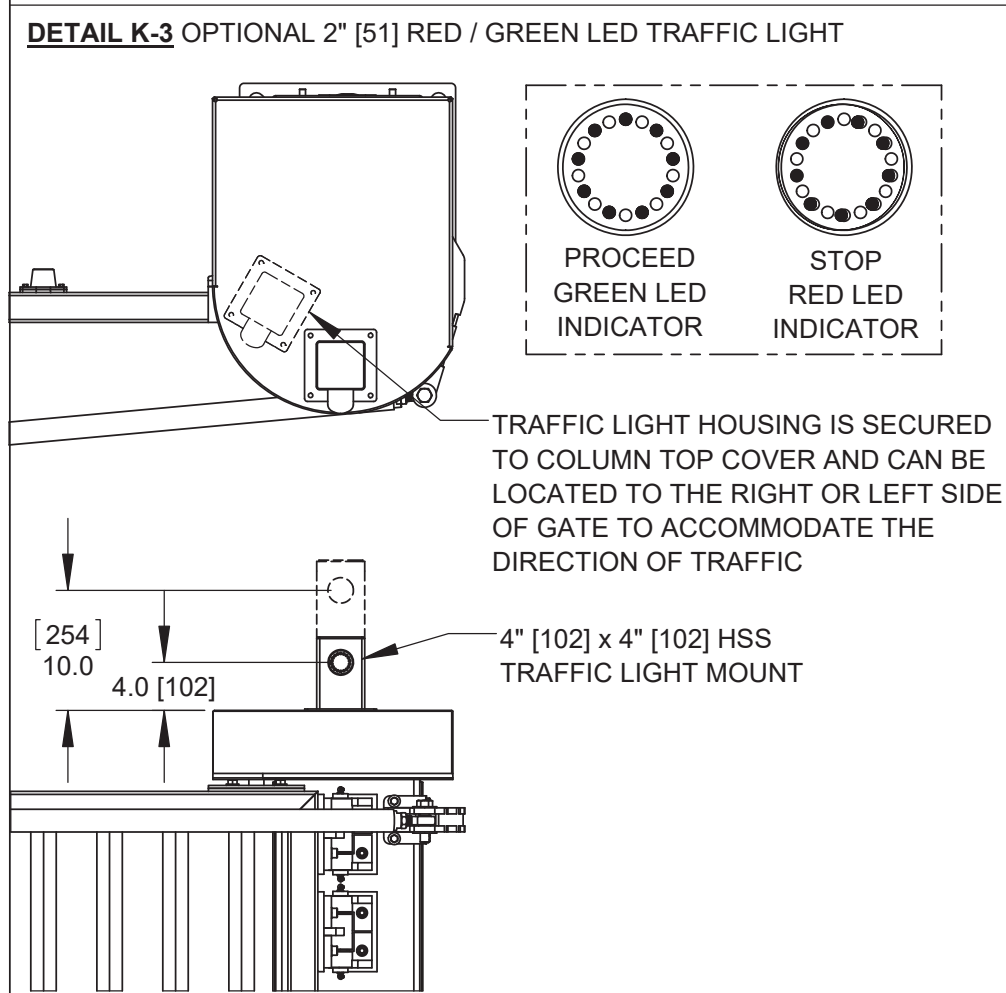
Description:		
PDXT POST DRIVE TRACKLESS SPEEDGATE STANDARD NOTES AND OPTIONS		
Customer / Project Name:		
Finish:	Date:	
SEE FINISH NOTES	2/13/2018	
Drawing No.	Rev.	Sheet:
PDXT-02-12-18	-	3 of 7



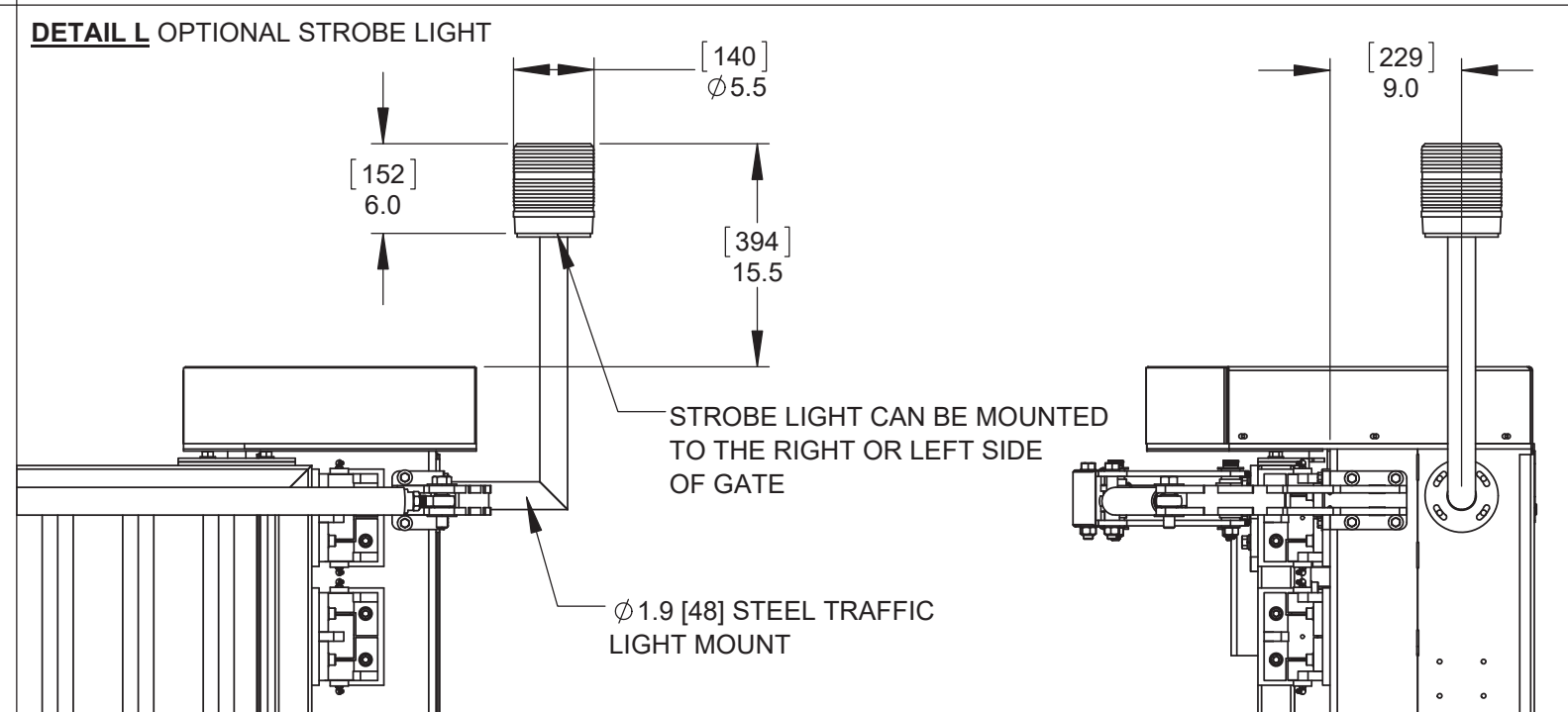
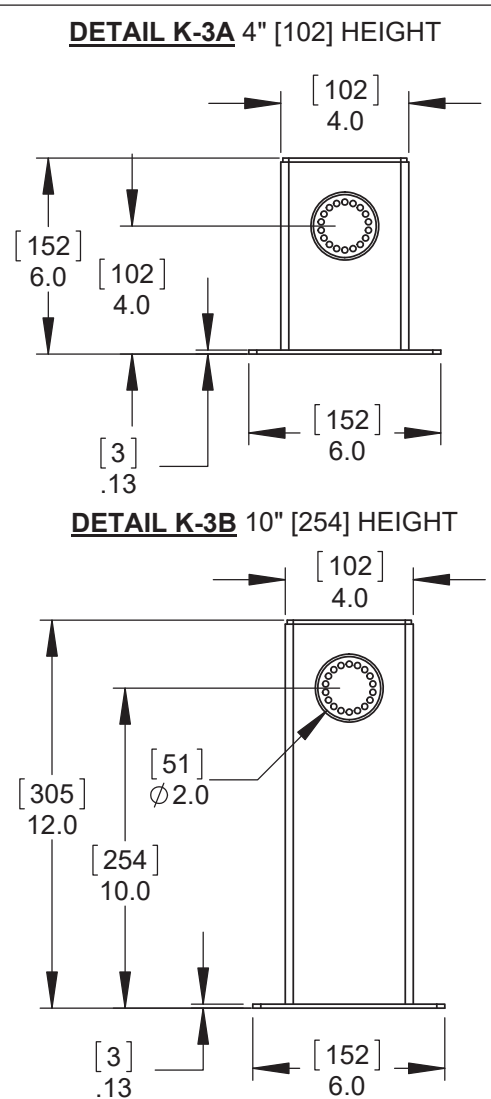
DETAIL K-1 OPTIONAL 8" [203] RED / GREEN LED TRAFFIC LIGHT



DETAIL K-2 OPTIONAL 4" [102] RED / GREEN LED TRAFFIC LIGHT



DETAIL K-3 OPTIONAL 2" [51] RED / GREEN LED TRAFFIC LIGHT



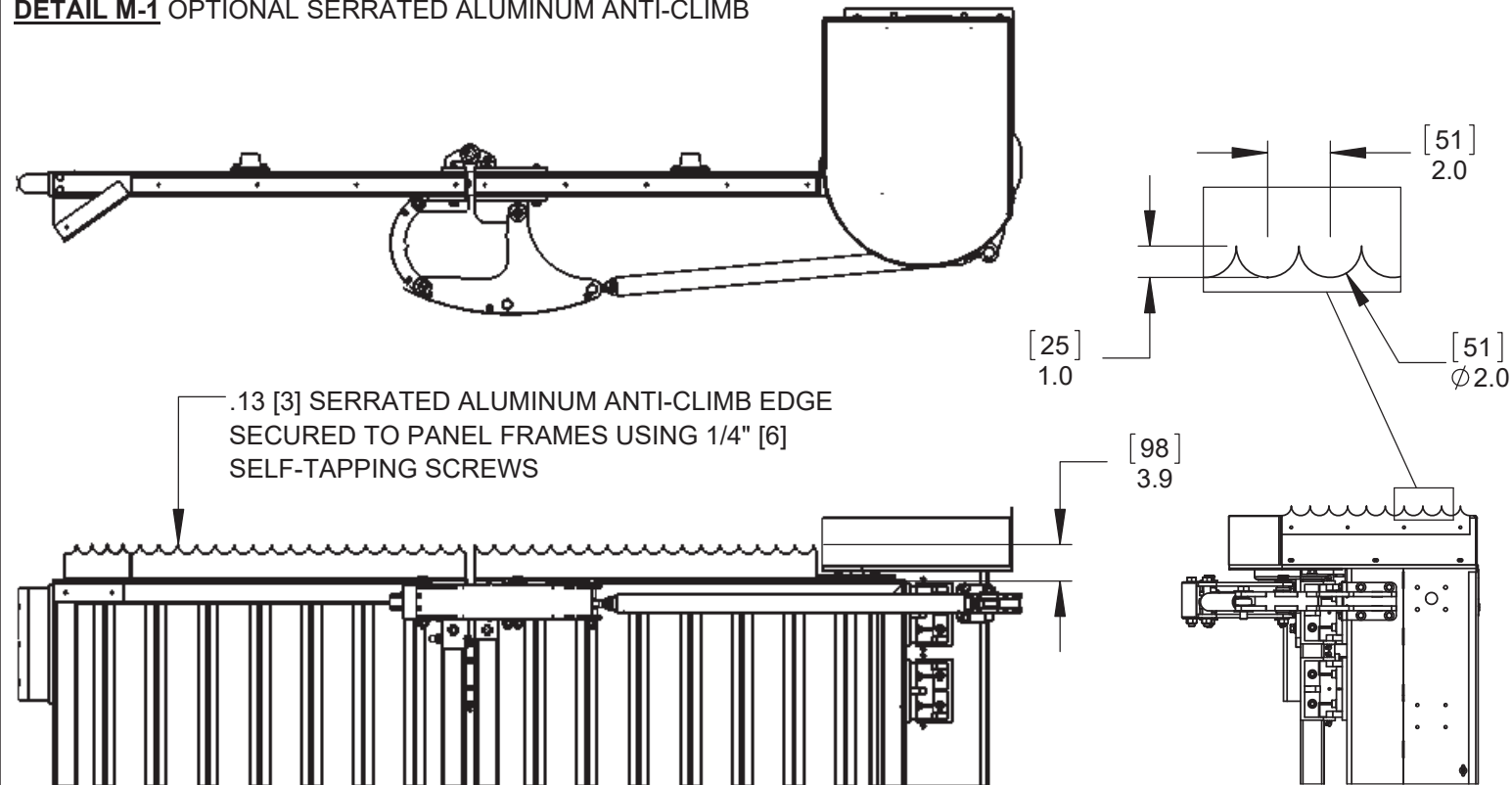
DETAIL L OPTIONAL STROBE LIGHT

WALLACE
PERIMETER SECURITY

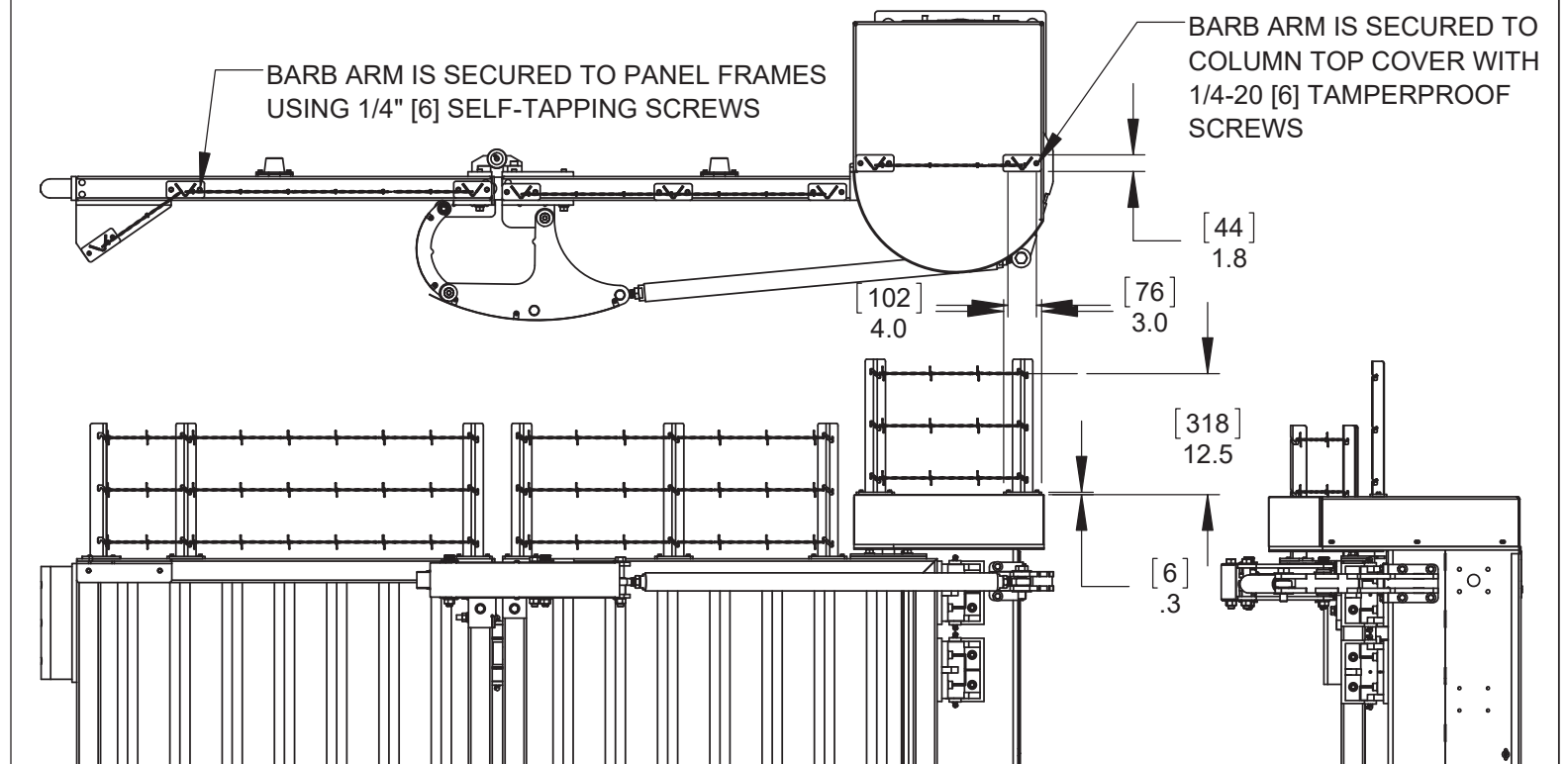
115 Lowson Crescent
Winnipeg, Manitoba, Canada, R3P 1A6
Phone: 1-866-300-1110
Fax: 1-204-284-1868
Web: www.wallaceperimetersecurity.com

Description:		PDXT POST DRIVE TRACKLESS SPEEDGATE STANDARD NOTES AND OPTIONS	
Customer / Project Name:			
Finish:	SEE FINISH NOTES	Date:	2/13/2018
Drawing No.	PDXT-02-12-18	Rev.	Sheet: 4 of 7

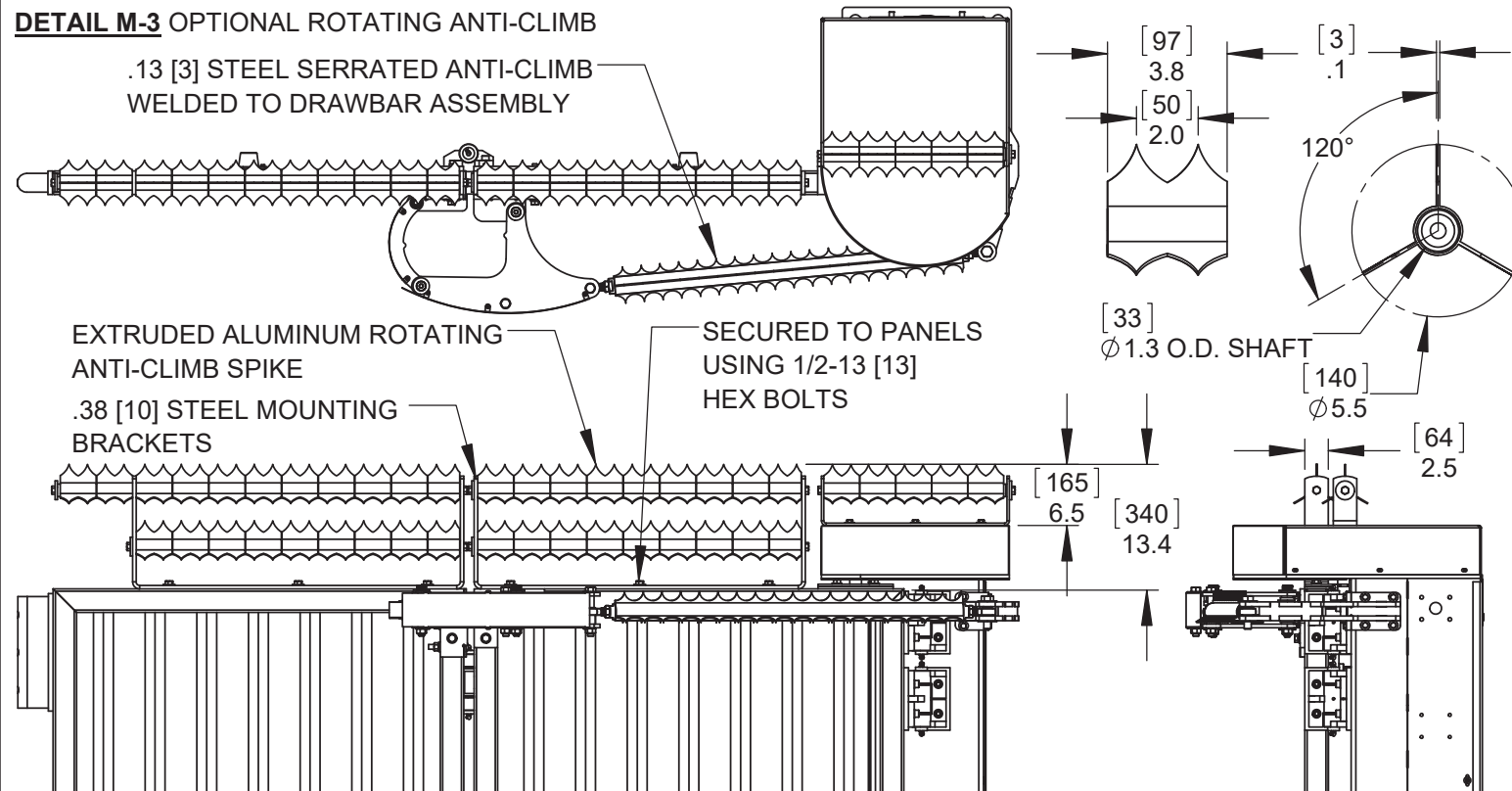
DETAIL M-1 OPTIONAL SERRATED ALUMINUM ANTI-CLIMB



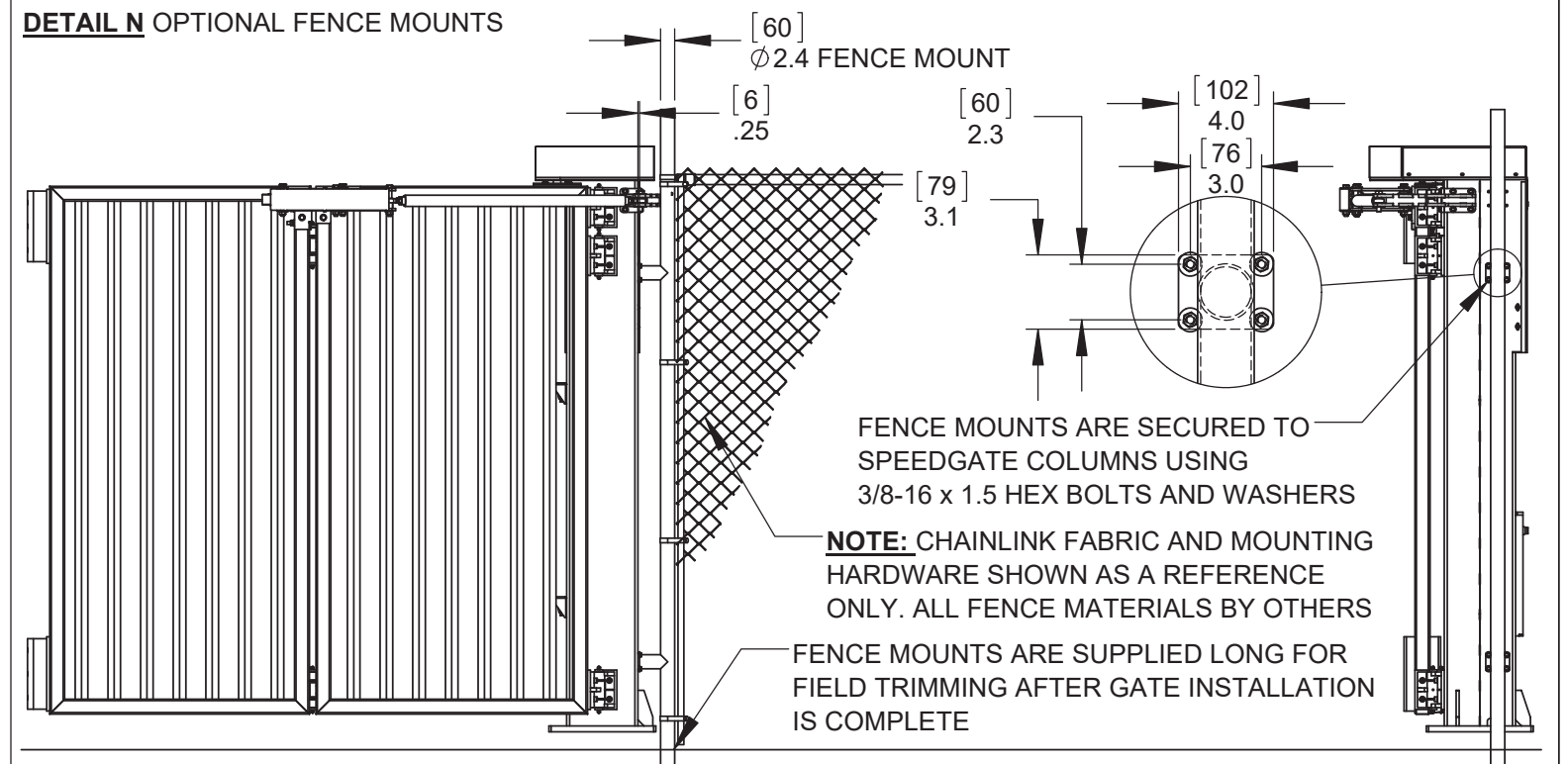
DETAIL M-2 BARBED WIRE ANTI-CLIMB



DETAIL M-3 OPTIONAL ROTATING ANTI-CLIMB



DETAIL N OPTIONAL FENCE MOUNTS



Description:
**PDXT
 POST DRIVE TRACKLESS SPEEDGATE
 STANDARD NOTES AND OPTIONS**

Customer / Project Name:

Finish:
SEE FINISH NOTES

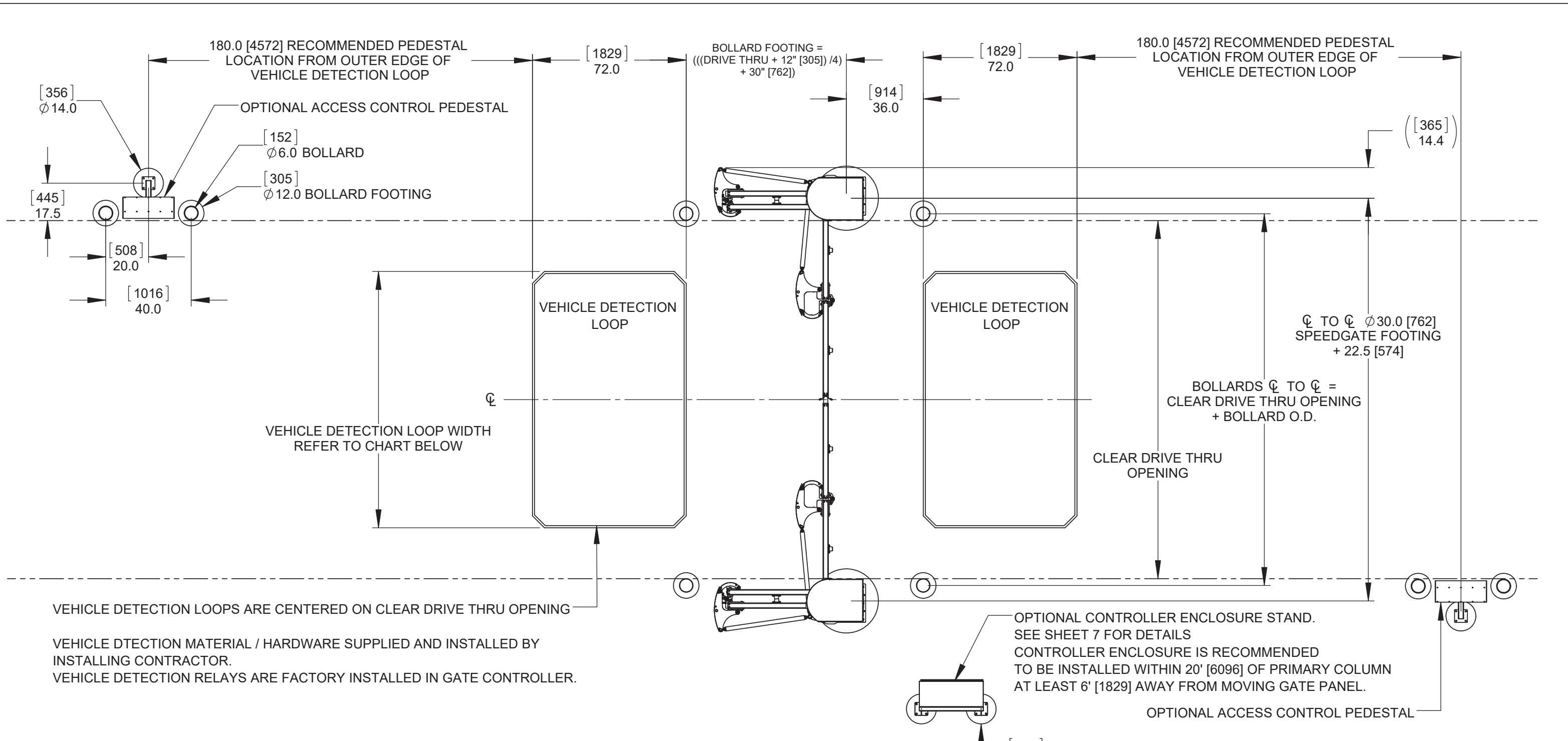
Date:
2/13/2018

Drawing No.
PDXT-02-12-18

Rev.

Sheet:
5 of 7

115 Lowson Crescent
 Winnipeg, Manitoba, Canada, R3P 1A6
 Phone: 1-866-300-1110
 Fax: 1-204-284-1868
 Web: www.wallaceperimetersecurity.com



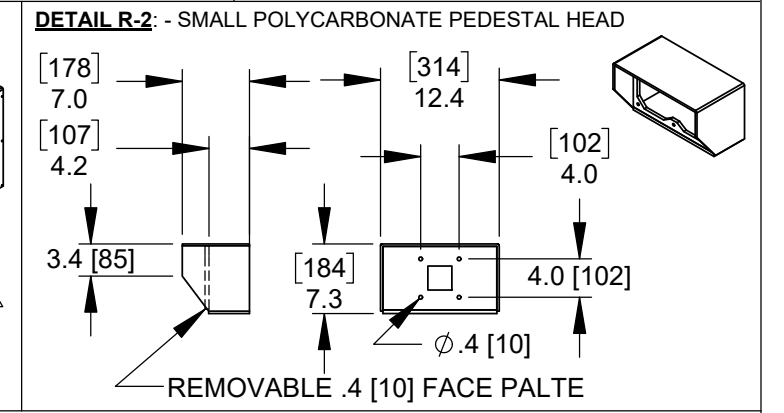
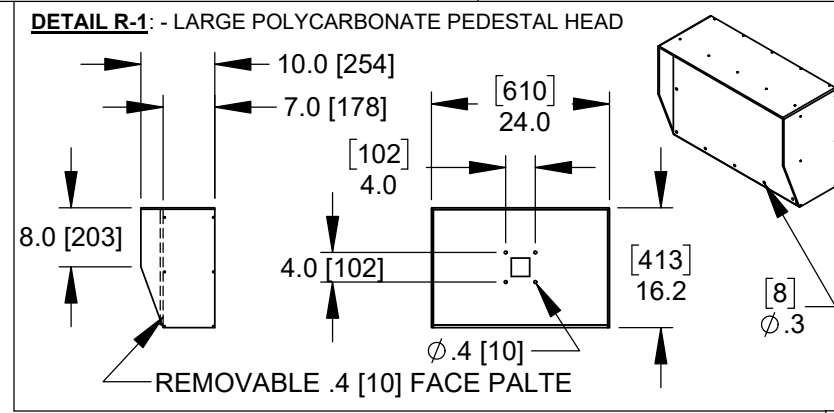
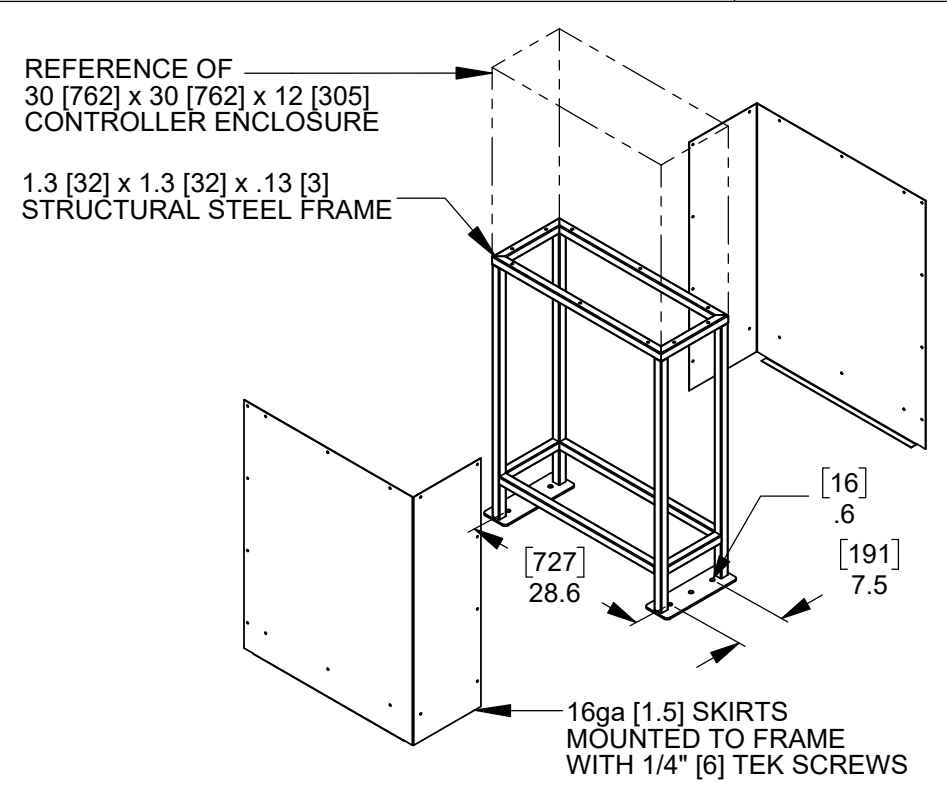
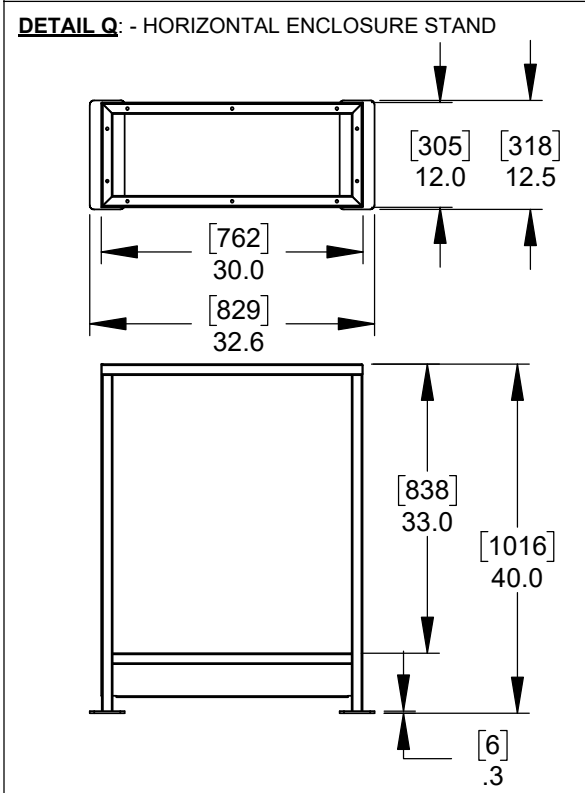
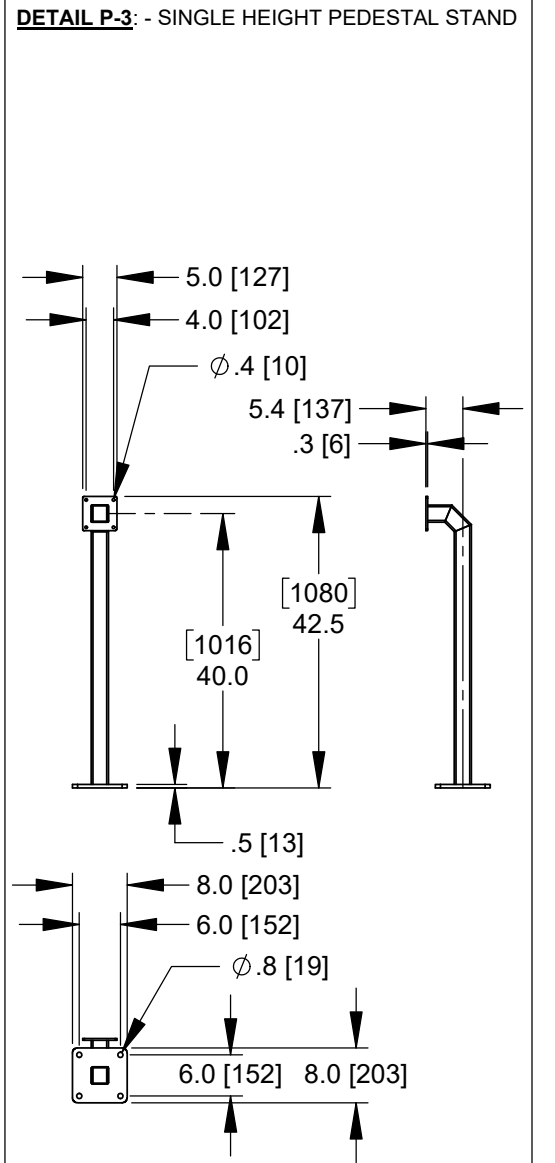
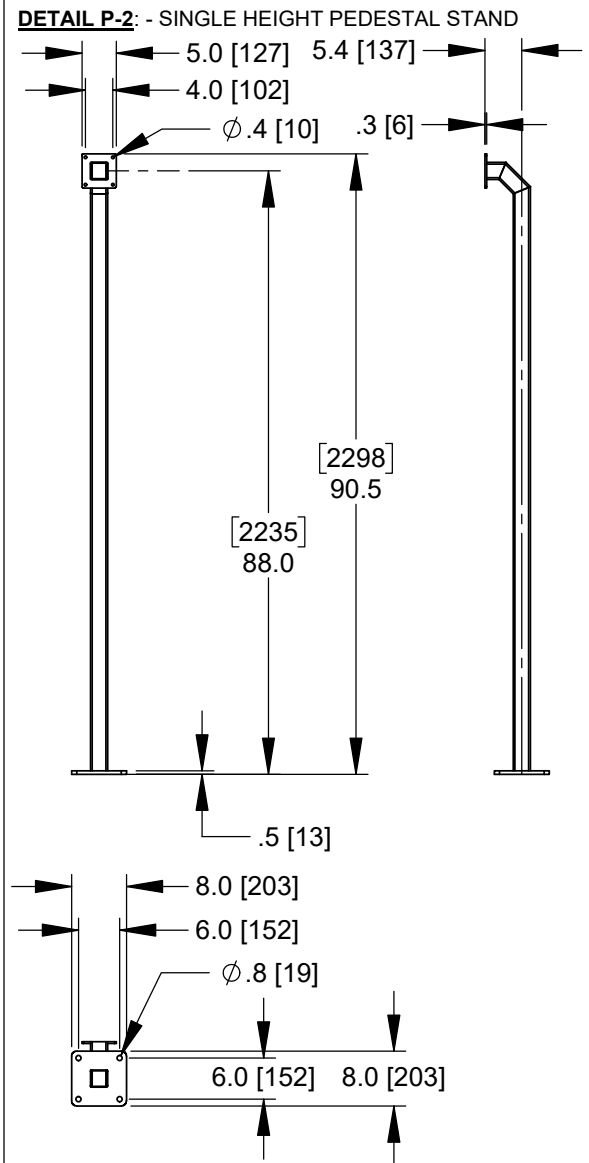
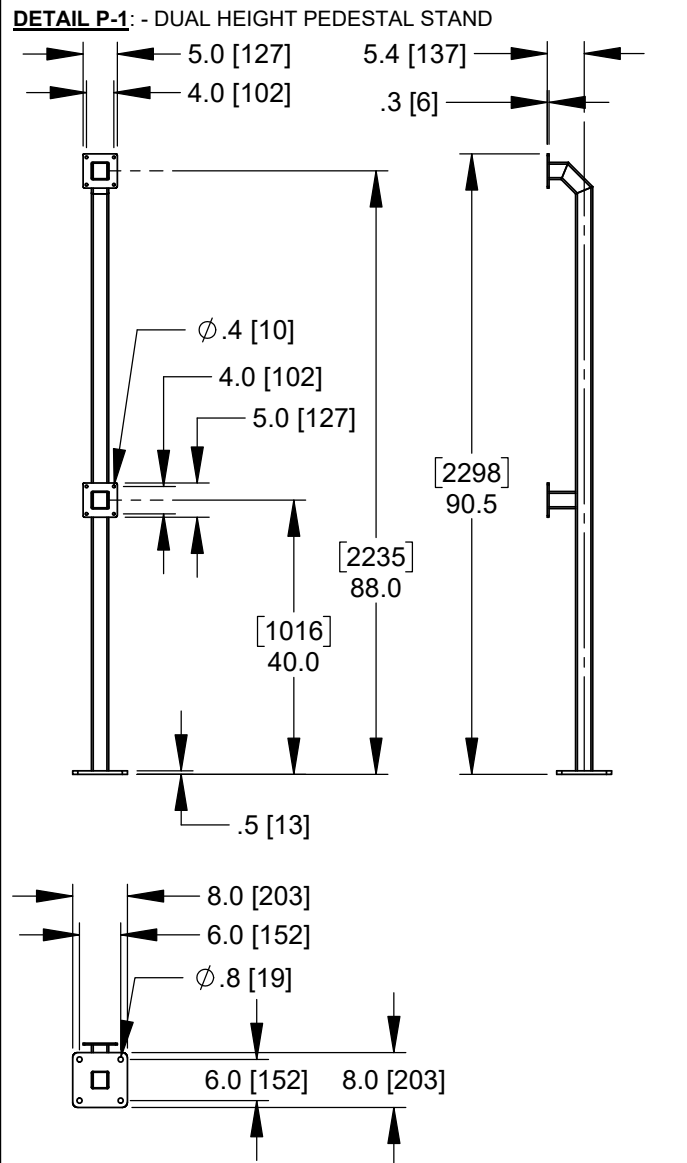
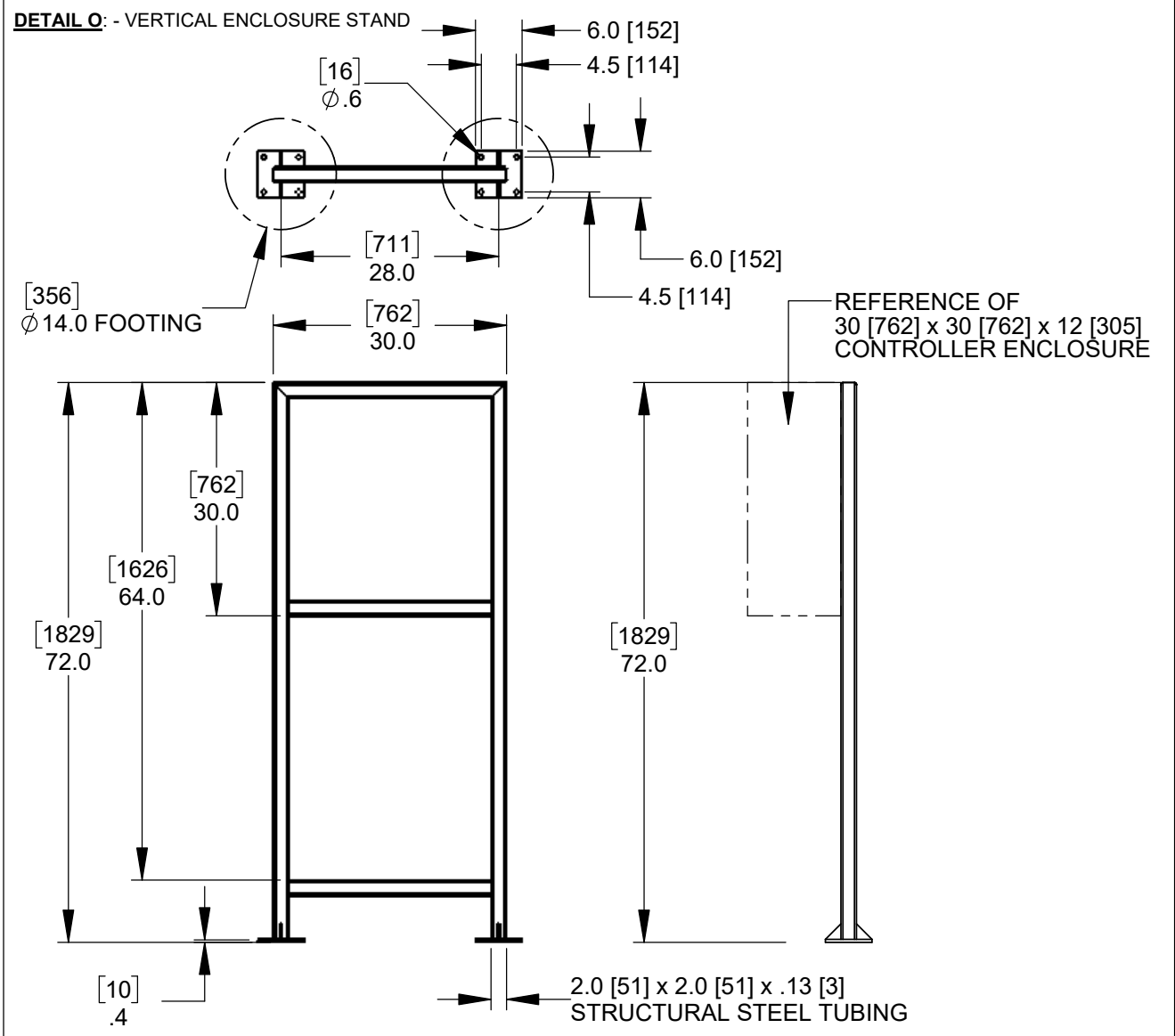
OPTIONAL PRE-FORMED VEHICLE DETECTION LOOP WIDTH:

CLEAR DRIVE THRU OPENING	LOOP WIDTH
10' [3048]	6' [1829]
12' [3658]	8' [2438]
14' [4267]	10' [3048]
16' [4877]	12' [3658]
18' [5486]	14' [4267]
20' [6096]	16' [4877]
23' [7010]	20' [6096]

NOTE:
BOLLARD FOUNDATION LOCATIONS ARE SUPPLIED AS A REFERENCE ONLY.
ALL FINAL MATERIALS AND DIMENSIONS ARE SUPPLIED AND INSTALLED BY OTHERS.

115 Lowson Crescent
Winnipeg, Manitoba, Canada, R3P 1A6
Phone: 1-866-300-1110
Fax: 1-204-284-1868
Web: www.wallaceperimetersecurity.com

Description: PDXT POST DRIVE TRACKLESS SPEEDGATE FOOTINGS / VEHICLE DETECTION LOOP LOCATIONS	
Customer / Project Name:	
Finish:	Date: 2/13/2018
Drawing No. PDXT-02-12-18	Rev. Sheet: 6 of 7



Description:
PDXT POST DRIVE TRACKLESS SPEEDGATE CONTROLLER ENCLOSURE STANDS PEDESTAL HEADS / PEDESTAL STANDS

Customer / Project Name:

Finish: Date: 3/21/2019

Drawing No. **PDXT-02-12-18** Rev. Sheet: 7 of 7

115 Lawson Crescent
Winnipeg, Manitoba, Canada, R3P 1A6
Phone: 1-866-300-1110
Fax: 1-204-284-1868
Web: www.wallaceperimetersecurity.com