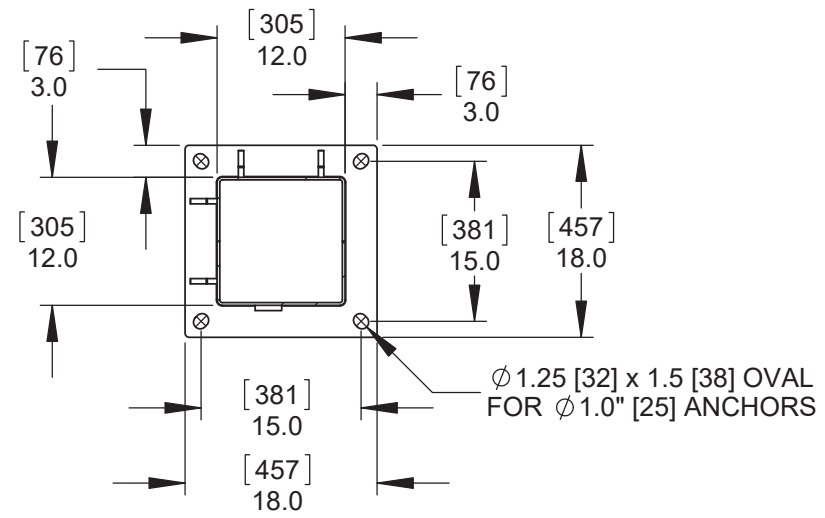


**SECTION B-B - COLUMN BASE PLATE**

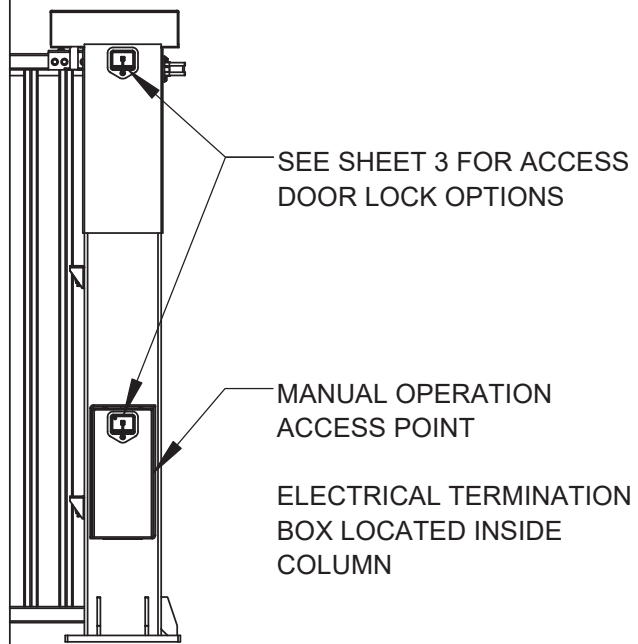


**GATE HEIGHTS**

6' [1.8M]	72.0" [1829]	
7' [2.1M]	84.0" [2134]	***
8' [2.4M]	96.0" [2438]	
9' [2.7M]	108.0" [2743]	***
10' [3.0M]	120.0" [3048]	

\*\*\* 7' [2.1M] & 9' [2.7M] HEIGHTS AVAILABLE BY REQUEST

**SECTION A-A**



**NOTE:**  
THE PRIMARY COLUMN IS THE COLUMN THAT IS LOCATED CLOSEST TO THE CONTROL ENCLOSURE

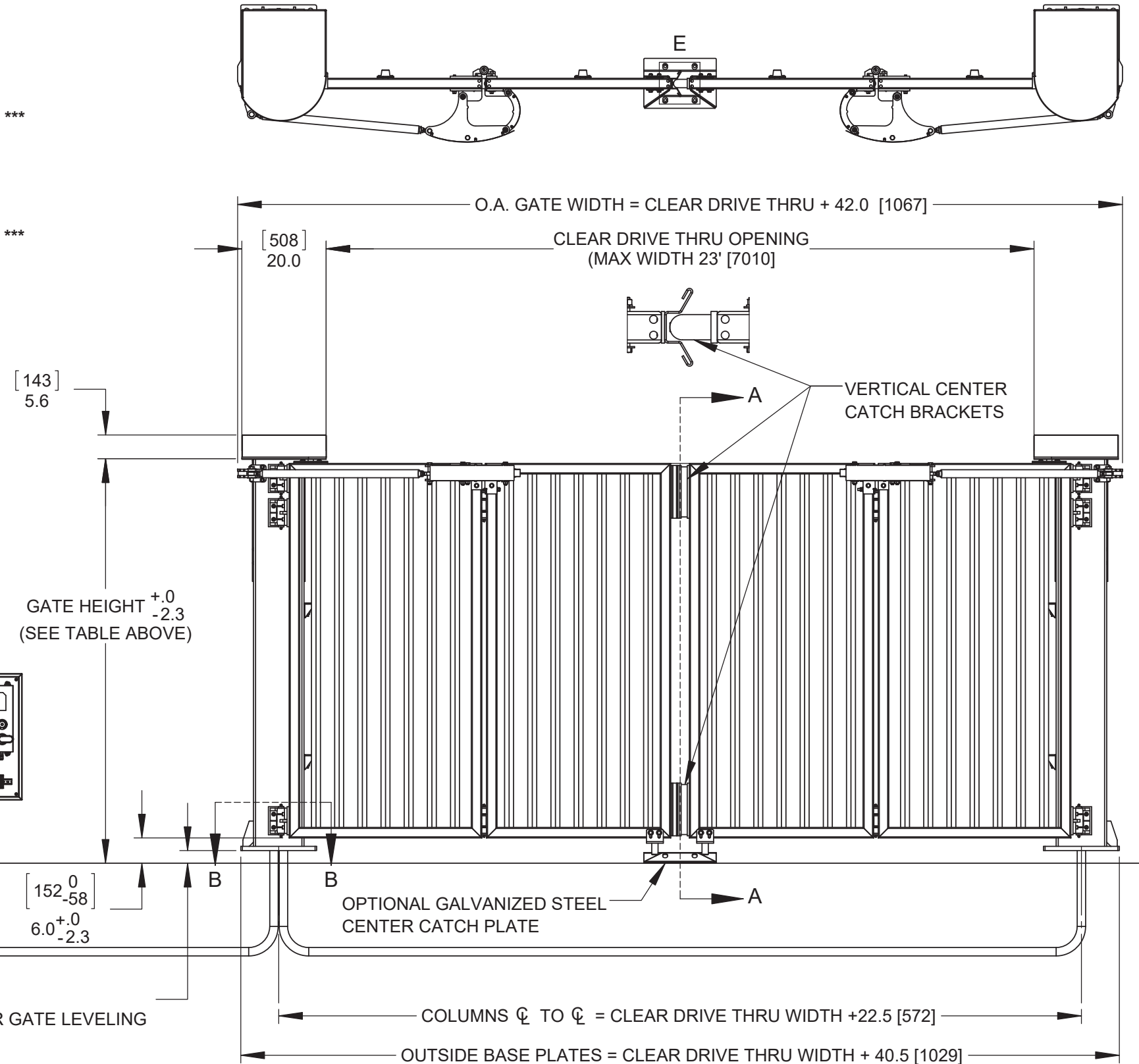
PHOTOCELLS ARE LOCATED ON INTERIOR FACE OF COLUMNS

12.0 [305] x 12.0 [305] x .25 [6] COLUMN  
18.0 [457] x 18.0 [457] x 1.0 [25] BASE PLATE

2 ELECTRICAL CONTROLLERS ARE MOUNTED IN A 30.0 [762] x 30.0 [762] x 12.0 [305] NEMA 3R ENCLOSURE c/w WIRE HARNESS. STANDARD WIRE HARNESS LENGTH ALLOWS FOR CONTROLLER ENCLOSURE TO BE PLACED UP TO 30' [9144] FROM PRIMARY COLUMN. OPTIONAL EXTENDED WIRE HARNESS IS AVAILABLE WHERE CONTROLLERS ARE TO BE MOUNTED BEYOND STANDARD WIRE HARNESS LENGTH. MAXIMUM WIRE HARNESS LENGTH IS DETERMINED BY DRIVE THRU WIDTH, CONTACT WALLACE PERIMETER SECURITY FOR DETAILS. CONTROLLERS, ENCLOSURE AND WIRE HARNESS BY WALLACE PERIMETER SECURITY CONDUIT, BY OTHERS. SEE SHEET 2 FOR CONDUIT SIZES, QUANTITIES AND REQUIREMENTS.  
**POWER REQUIREMENTS: 240V, SINGLE PHASE, 20A**

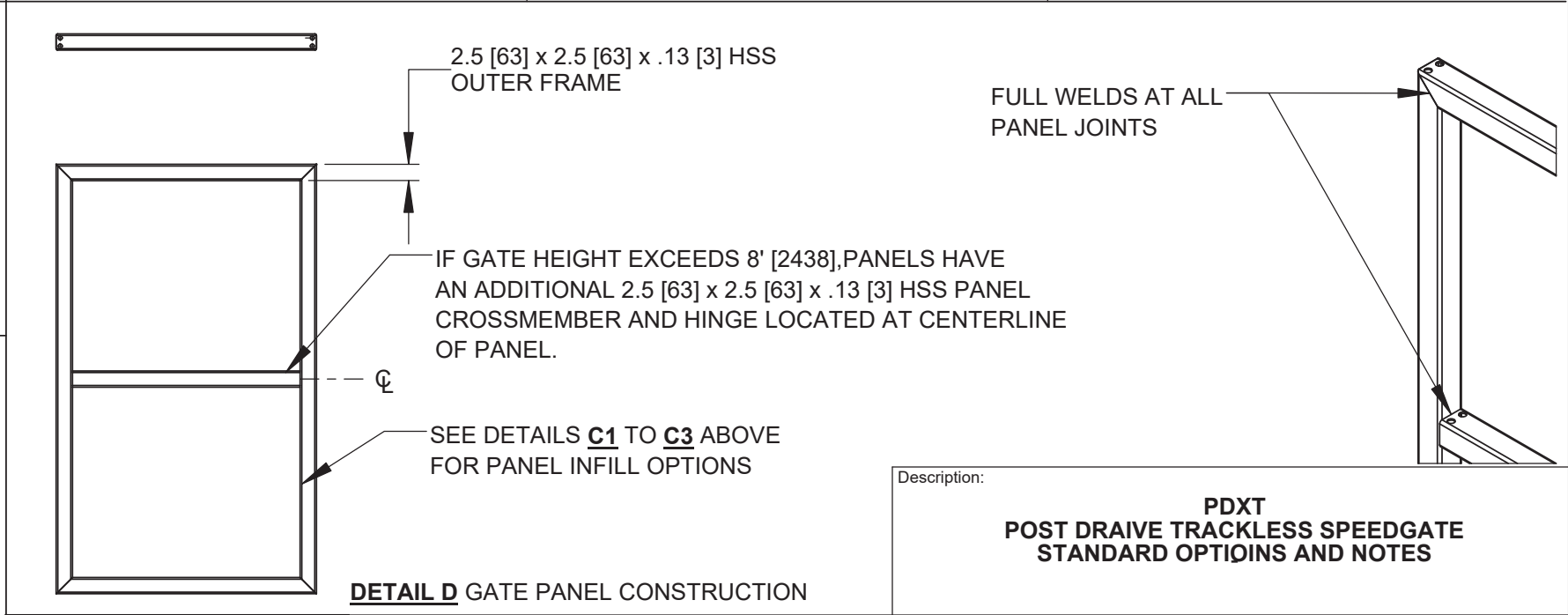
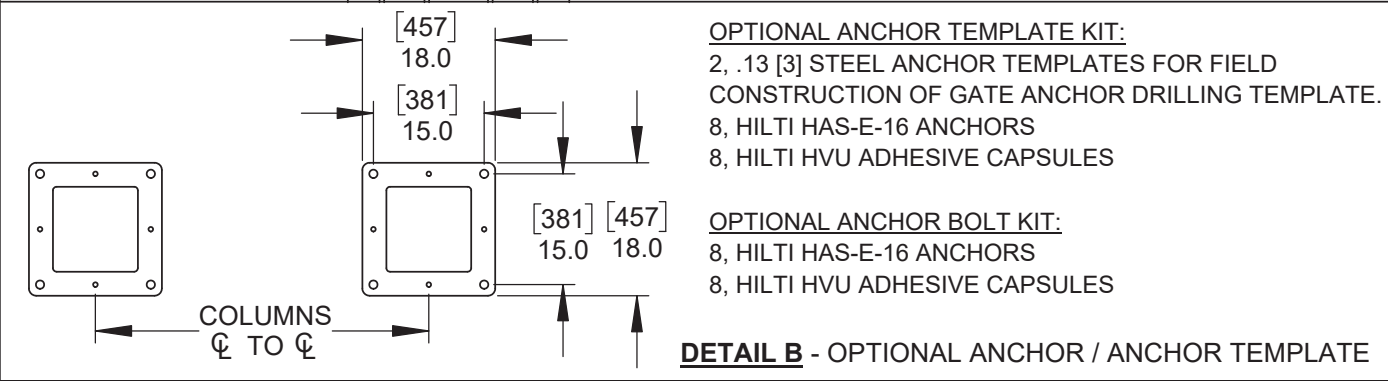
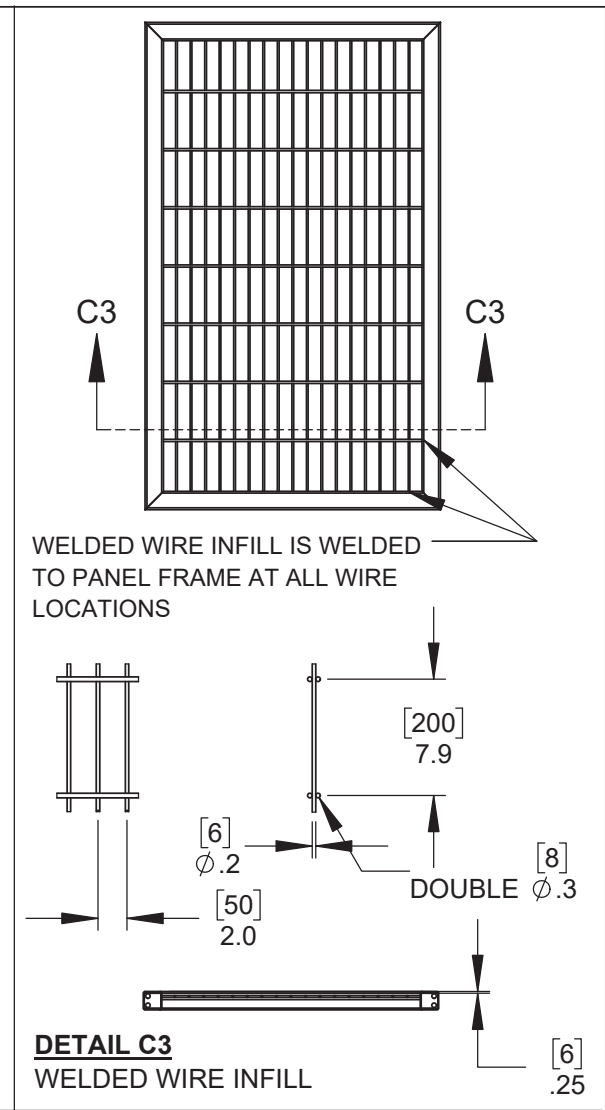
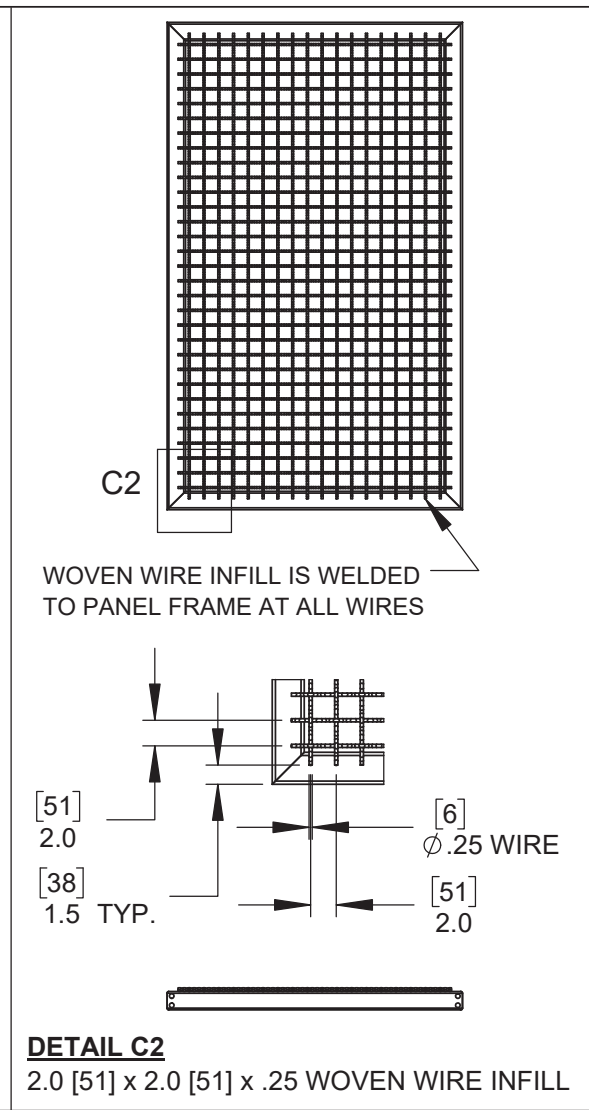
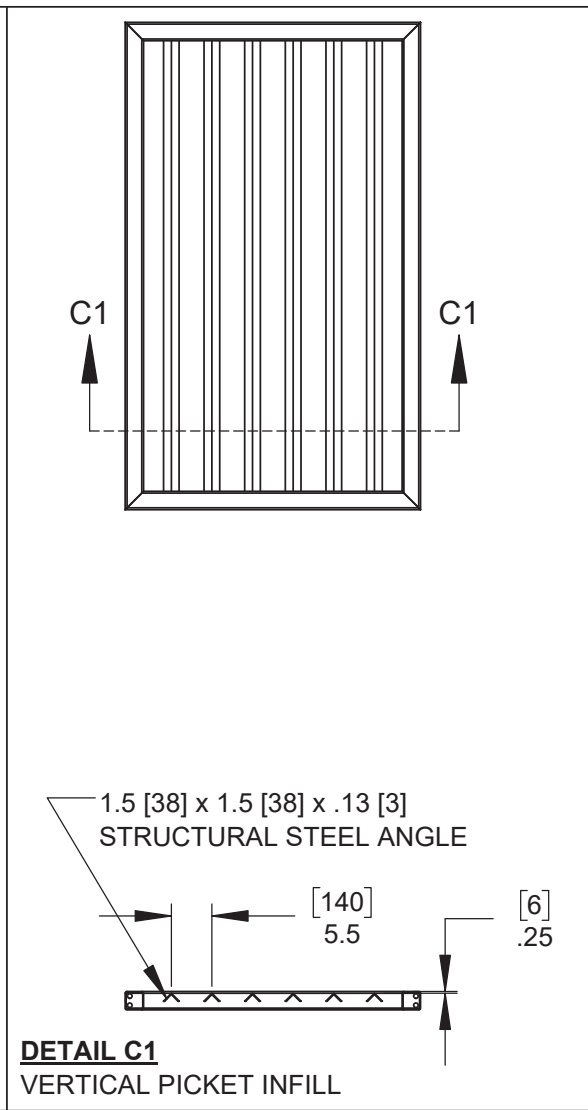
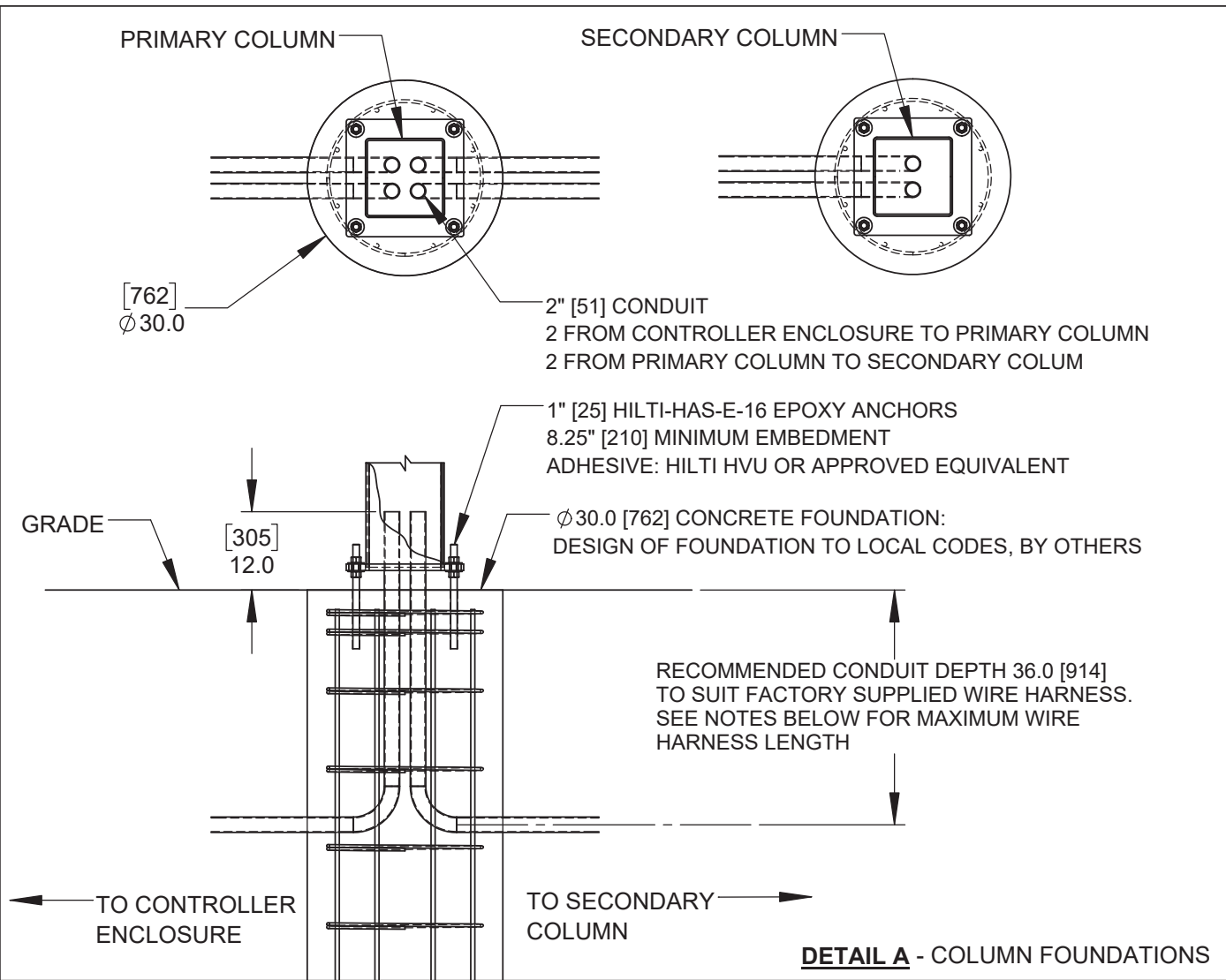
**FINISH NOTES:**  
STANDARD FINISH: HOT DIPPED GALVANIZED ON ALL STEEL COMPONENTS  
OPTIONAL POWDER COAT PAINT FINISH AVAILABLE.

**NOTE:** DIMENSIONS ARE SHOWN IN INCHES, DIMENSIONS SHOWN IN [ ] ARE IN MILLIMETERS



Description: <b>PDXT POST DRIVE TRACKLESS SPEEDGATE STANDARD DIMENSIONS</b>	
Customer / Project Name:	
Finish: <b>SEE FINISH NOTES</b>	Date: <b>2/13/2018</b>
Drawing No. <b>PDXT-02-12-18</b>	Rev. Sheet: <b>1 of 7</b>

115 Lowson Crescent  
Winnipeg, Manitoba, Canada, R3P 1A6  
Phone: 1-866-300-1110  
Fax: 1-204-284-1868  
Web: www.wallaceperimetersecurity.com



**INCLUDED WITH SPEEDGATE:**

- 2 ELECTRONIC GATE CONTROLLERS MOUNTED IN A 30" [762] x 30" [762] x 12" [305] NEMA 3R ENCLOSURE.
- ELECTRICAL HARNESS TO CONNECT GATE CONTROLLERS TO DRIVE COMPONENTS. STANDARD WIRING HARNESS LENGTH ALLOWS FOR THE CONTROL ENCLOSURE TO BE MOUNTED UP TO 30' [9144] FROM PRIMARY COLUMN. OPTIONAL EXTENDED WIRING HARNESS IS AVAILABLE. CONTACT WALLACE PERIMETER SECURITY FOR DETAILS.
- KEY(S) AND LOCK(S) FOR ALL ACCESS PANELS, SEE SHEET 3, DETAILS E1 TO E4 FOR AVAILABLE LOCK OPTIONS.

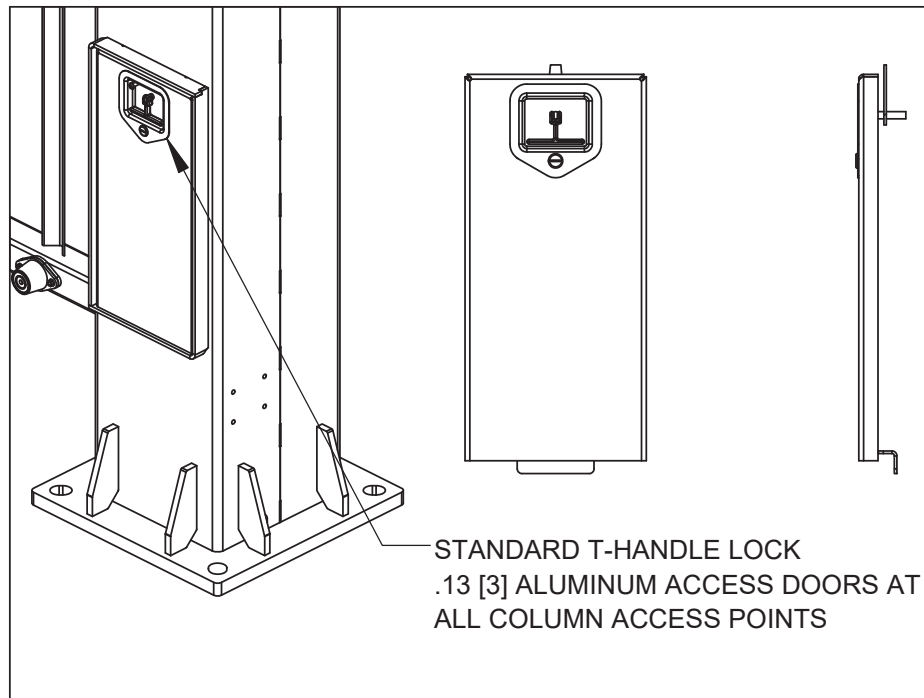
**NOT INCLUDED WITH SPEEDGATE:**

- GATE MOUNTING HARDWARE, OPTIONAL ANCHOR BOLT OR ANCHOR BOLT & TEMPLATE KITS AVAILABLE.
- VEHICLE DETECTION LOOPS
- GROUT TO FILL GAP UNDER COLUMN BASE PLATES WHEN GATE INSTALLATION / LEVELING IS COMPLETE

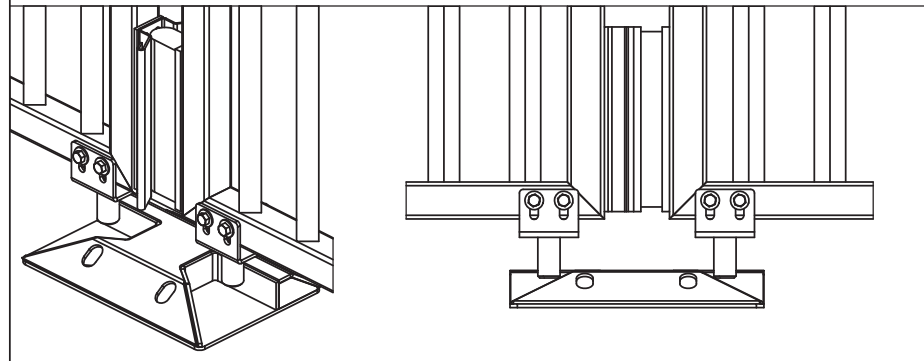
**WALLACE**  
PERIMETER SECURITY

115 Lowson Crescent  
Winnipeg, Manitoba, Canada, R3P 1A6  
Phone: 1-866-300-1110  
Fax: 1-204-284-1868  
Web: www.wallaceperimetersecurity.com

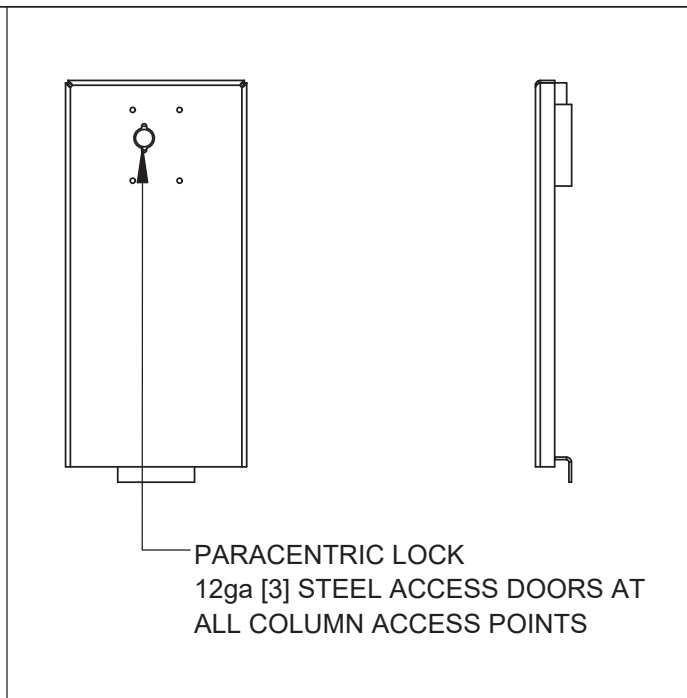
Description: <b>PDXT POST DRAIVE TRACKLESS SPEEDGATE STANDARD OPTIOINS AND NOTES</b>		
Customer / Project Name:		
Finish: SEE FINISH NOTES ON SHEET 1	Date: 3/21/2019	
Drawing No. <b>PDXT-02-12-18</b>	Rev.	Sheet: 2 of 7



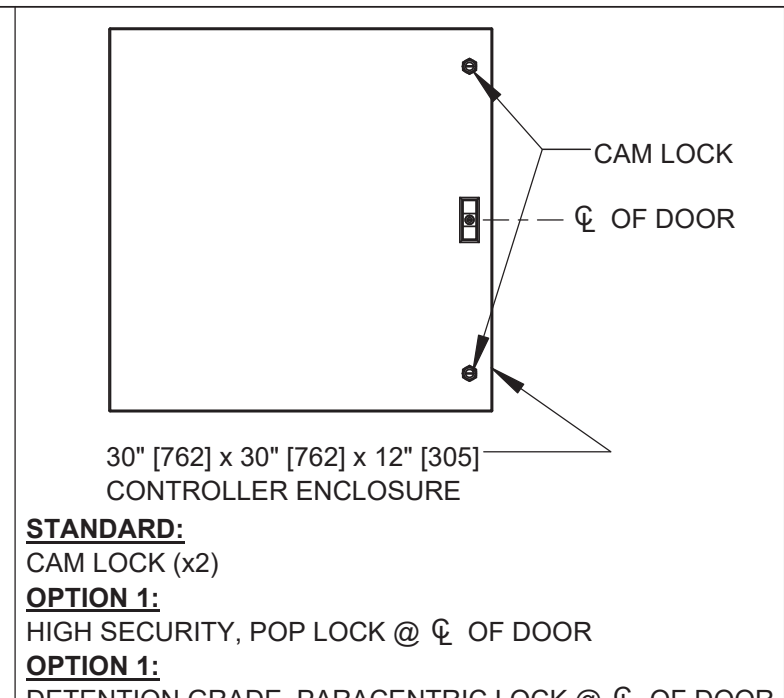
**DETAIL E1**  
STANDARD T-HANDLE ACCESS POINT LOCK



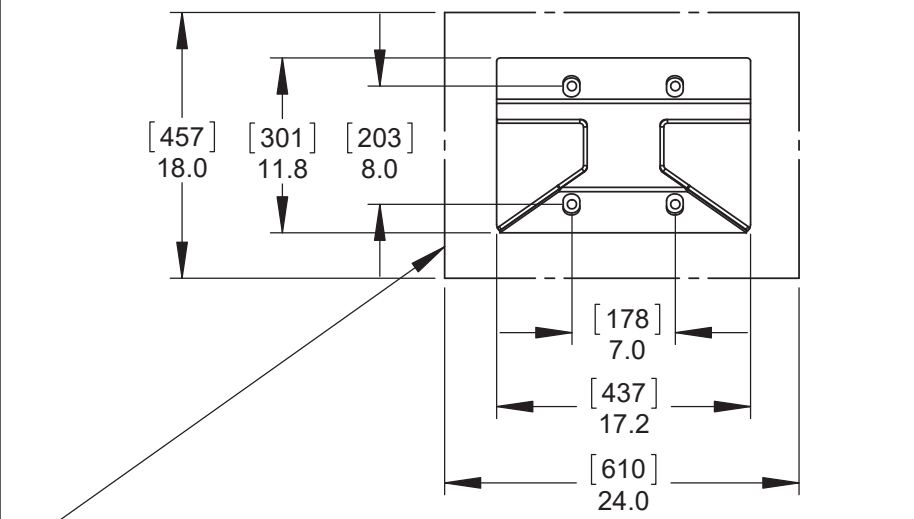
**DETAIL E2**  
OPTIONAL HIGH SECURITY LOCK



**DETAIL E3**  
OPTIONAL DETENTION GRADE LOCK



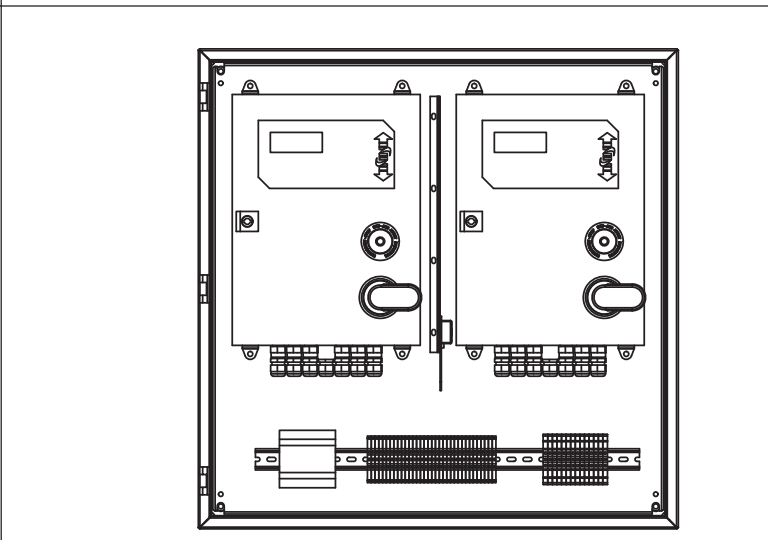
**DETAIL F** CONTROLLER ENCLOSURE LOCK



CENTER CATCH PLATE MUST BE ANCHORED TO A SUITABLE ROADWAY SURFACE. IF ROADWAY IS NOT SUITABLE FOR ANCHORING, A 24.0" [610] x 18.0 [457] PAD MUST BE INSTALLED.

CENTER CATCH PLATE IS SUPPLIED WITH 4, 1/2" [13] x 5" [127] WEDGE ANCHORS.

**DETAIL G** OPTIONAL CENTER CATCH PLATE

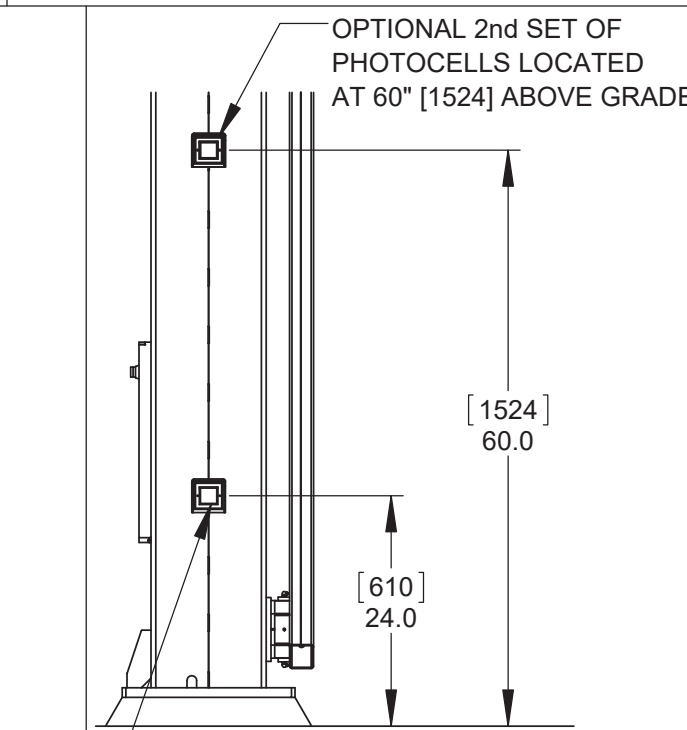


THE NEMA 3R CONTROLLER ENCLOSURE CAN BE FITTED WITH OPTIONAL HEATING OR COOLING KITS TO ACCOMMODATE A WIDE RANGE OF TEMPERATURES.

**OPTIONAL HOT WEATHER KIT INCLUDES:**  
EXHAUST FAN, VENT GRILLES, RAIN SHROUDS AND THERMOSTAT.

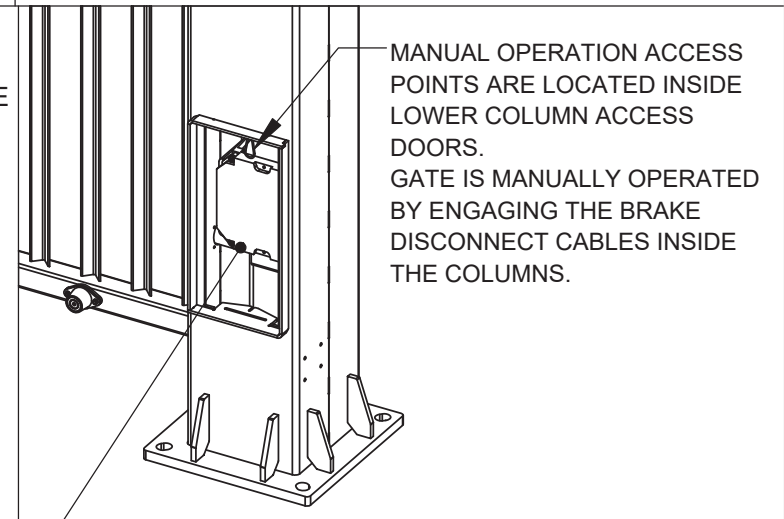
**OPTIONAL COLD WEATHER KIT INCLUDES:**  
320 WATT SELF-REGULATING HEATER, THERMAL COVER. THERMAL COVER IS ONLY AVAILABLE IF CONTROLLER ENCLOSURE IS FREE STANDING.

**DETAIL H** ENVIRONMENTAL CONTROLS



ALL SPEEDGATES ARE SUPPLIED WITH 1 SET OF PHOTOCELLS LOCATED AT 24" [610] ABOVE GRADE

**DETAIL I** PHOTOCELLS

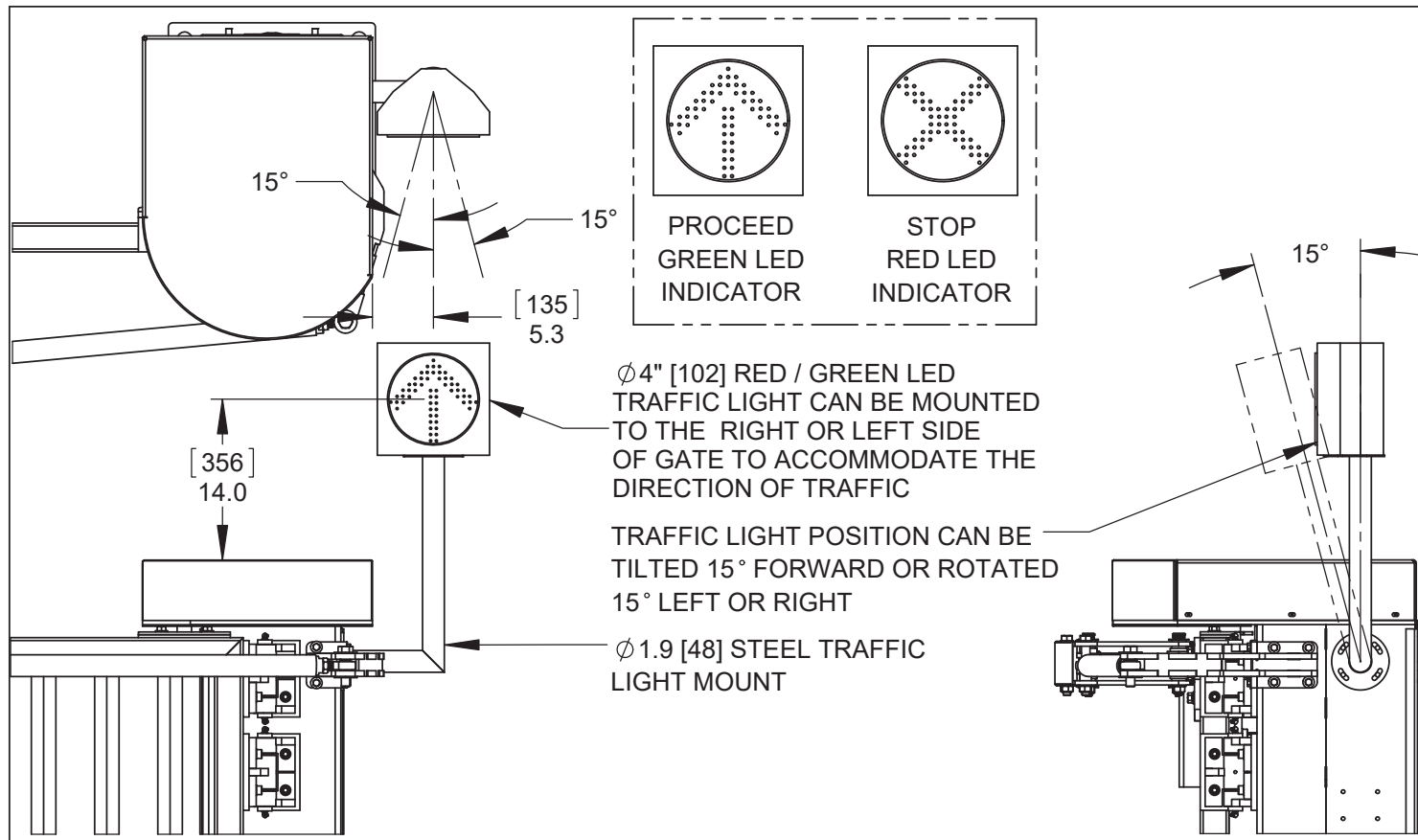


COLUMN ELECTRICAL TERMINATION BOX IS LOCATED INSIDE LOWER ACCESS DOOR OF PRIMARY COLUMN. PRIMARY COLUMN IS THE COLUMN LOCATED CLOSEST TO THE CONTROLLER ENCLOSURE

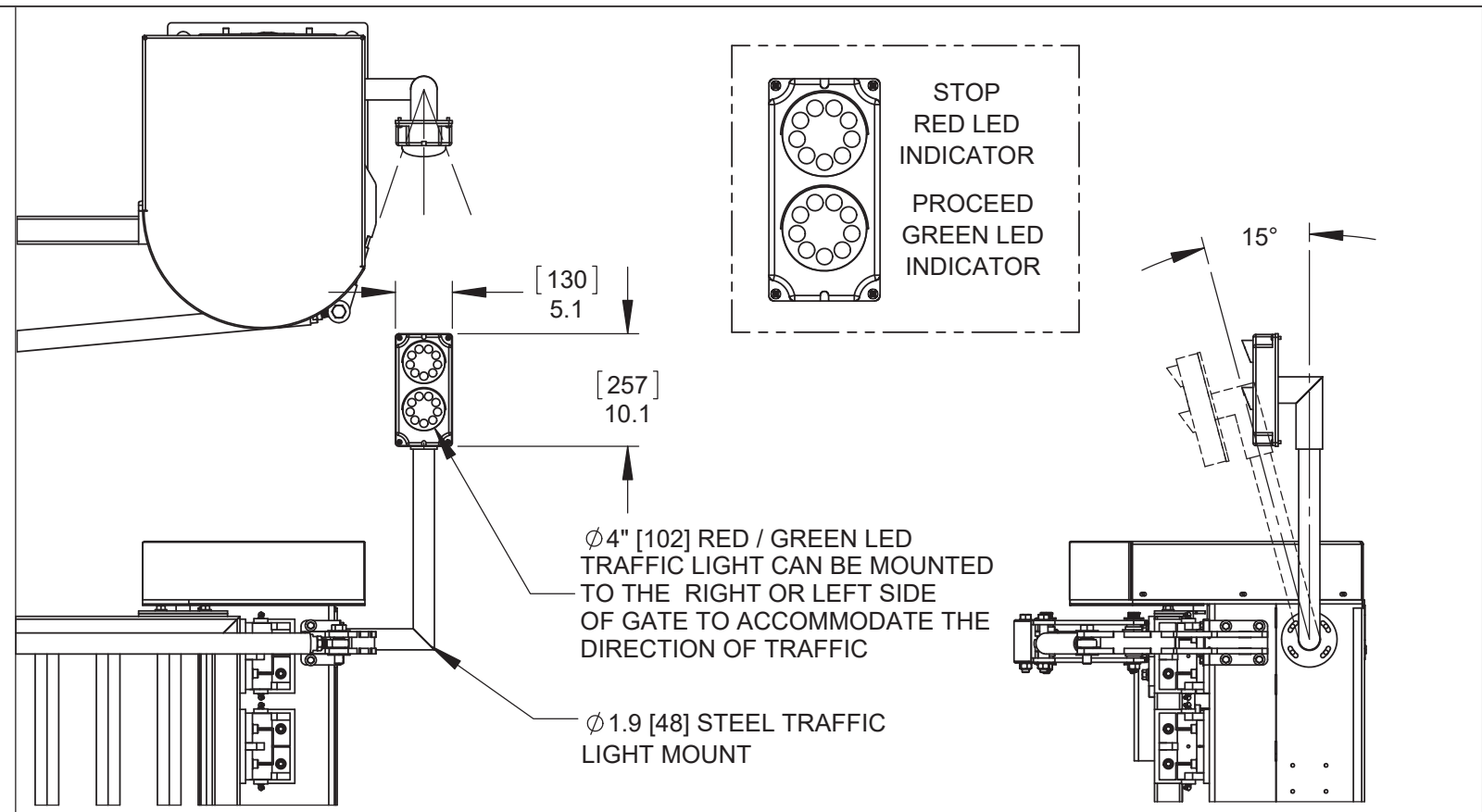
**DETAIL J** MANUAL OPERATION ACCESS POINT / COLUMN ELECTRICAL TERMINATION

115 Lowson Crescent  
Winnipeg, Manitoba, Canada, R3P 1A6  
Phone: 1-866-300-1110  
Fax: 1-204-284-1868  
Web: www.wallaceperimetersecurity.com

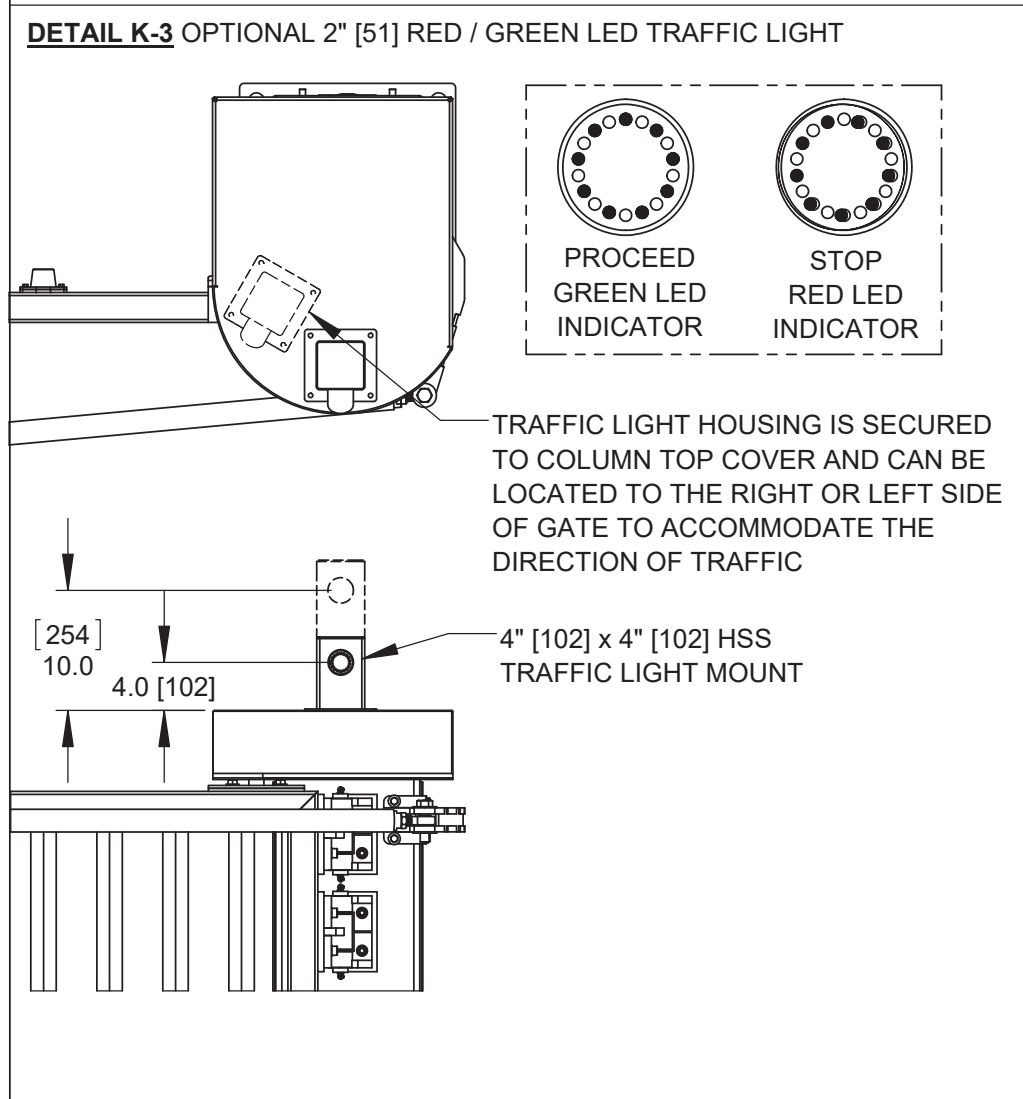
Description:		
<b>PDXT POST DRIVE TRACKLESS SPEEDGATE STANDARD NOTES AND OPTIONS</b>		
Customer / Project Name:		
Finish:	SEE FINISH NOTES	Date: 2/13/2018
Drawing No.	PDXT-02-12-18	Rev. -
		Sheet: 3 of 7



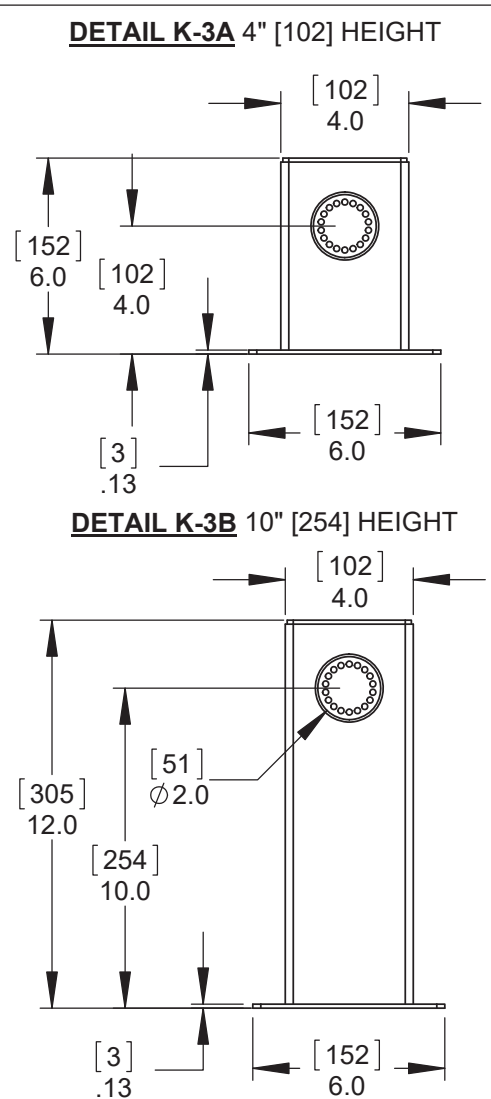
**DETAIL K-1** OPTIONAL 8" [203] RED / GREEN LED TRAFFIC LIGHT



**DETAIL K-2** OPTIONAL 4" [102] RED / GREEN LED TRAFFIC LIGHT

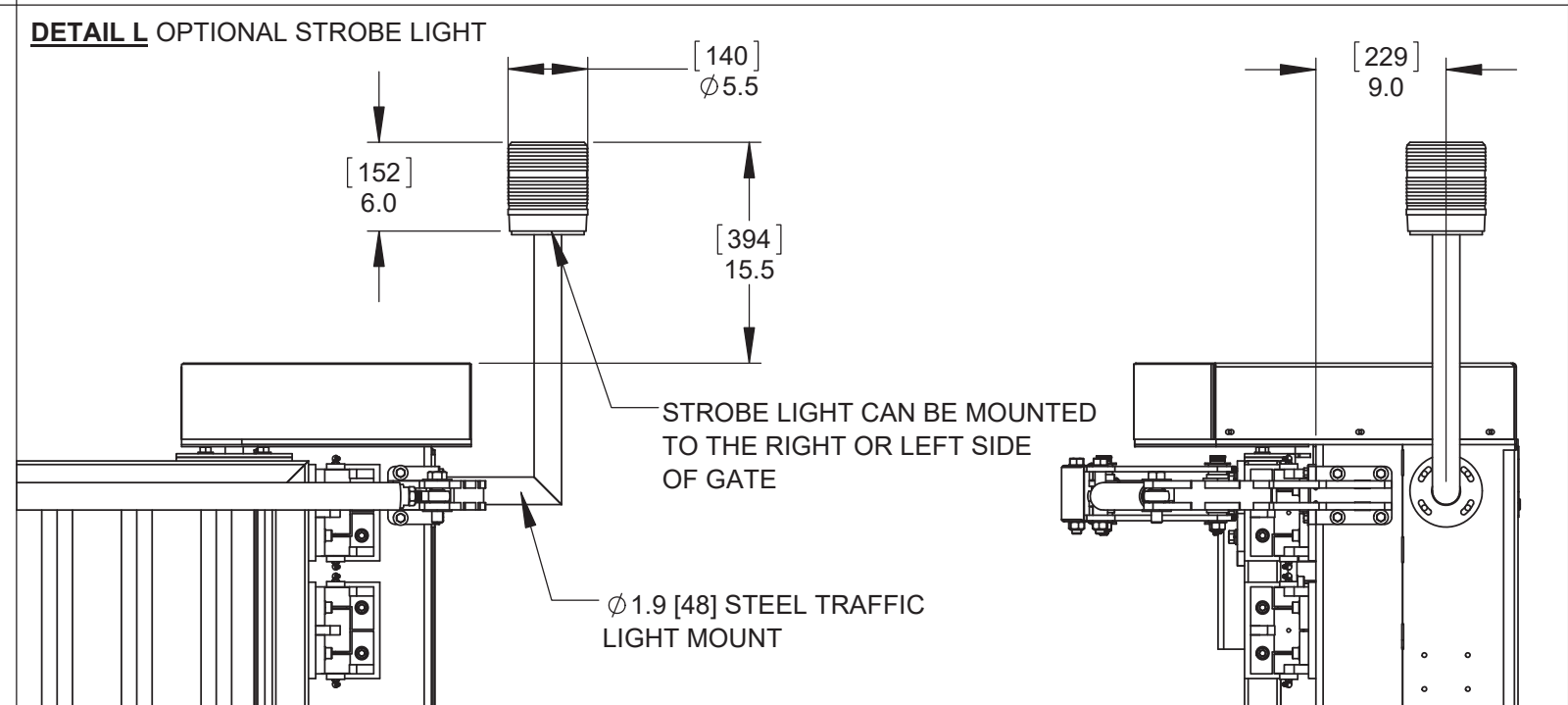


**DETAIL K-3** OPTIONAL 2" [51] RED / GREEN LED TRAFFIC LIGHT



**DETAIL K-3A** 4" [102] HEIGHT

**DETAIL K-3B** 10" [254] HEIGHT



**DETAIL L** OPTIONAL STROBE LIGHT

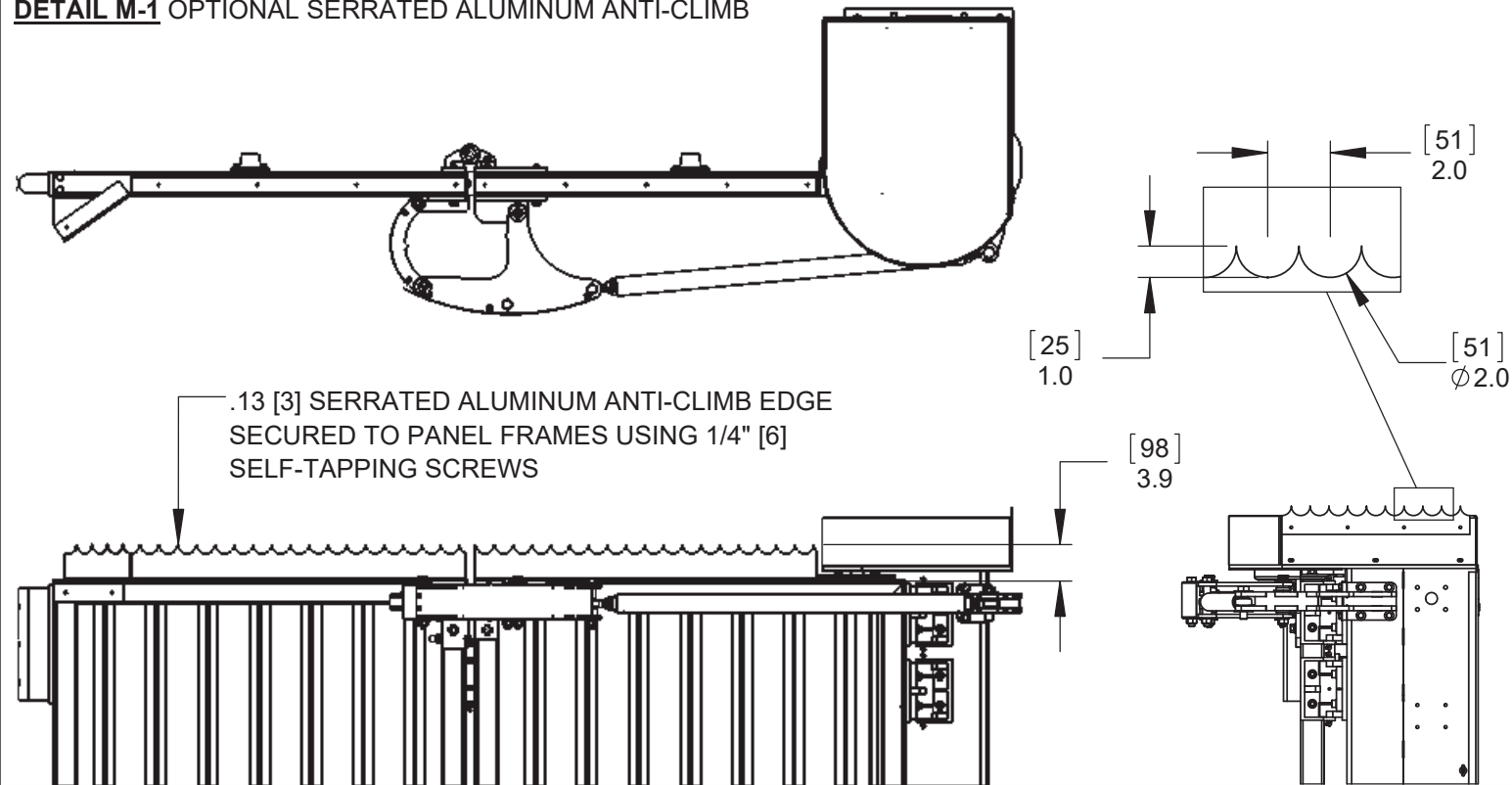
**WALLACE**  
PERIMETER SECURITY

115 Lowson Crescent  
Winnipeg, Manitoba, Canada, R3P 1A6  
Phone: 1-866-300-1110  
Fax: 1-204-284-1868  
Web: www.wallaceperimetersecurity.com

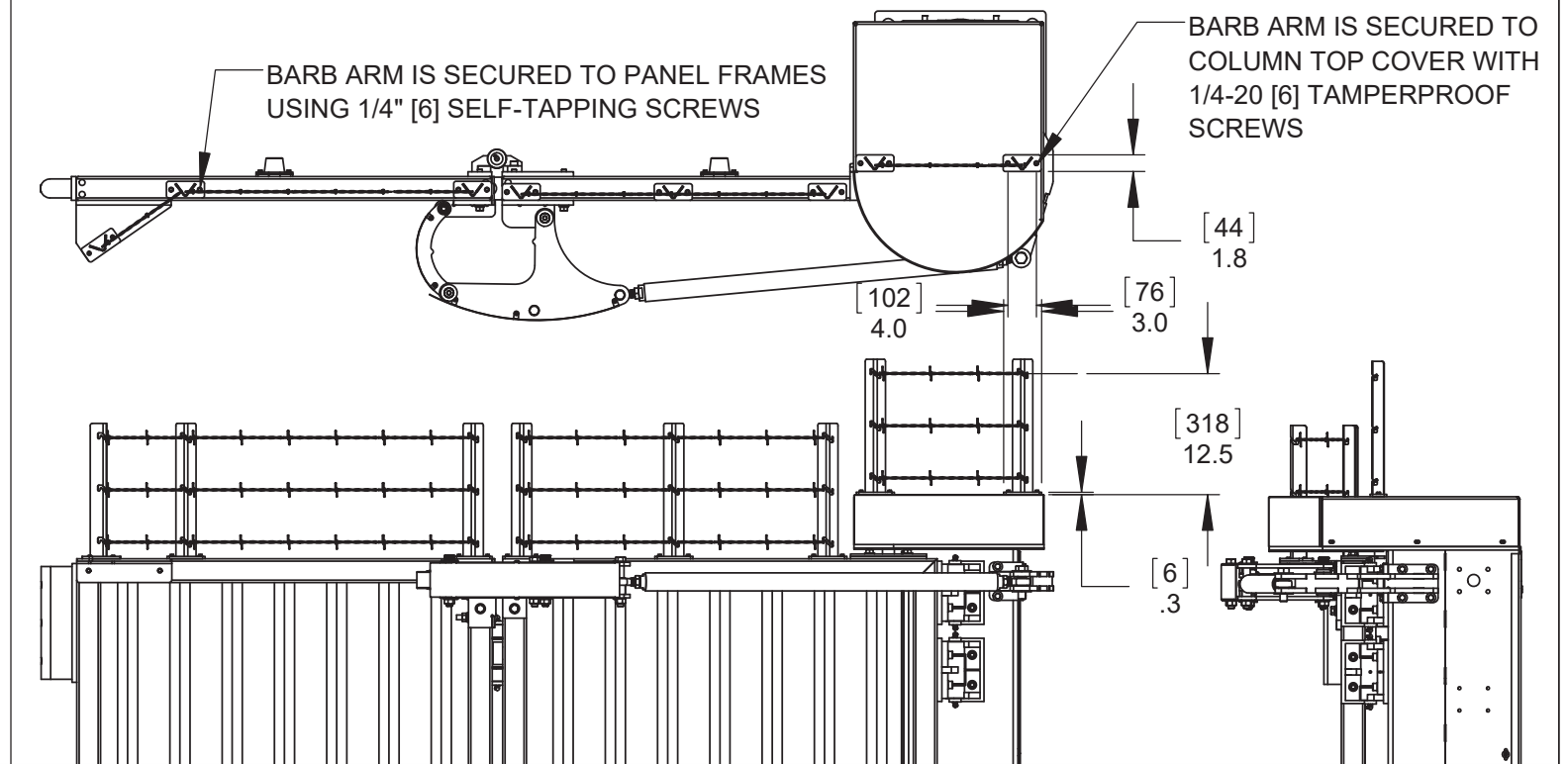
Description: <b>PDXT POST DRIVE TRACKLESS SPEEDGATE STANDARD NOTES AND OPTIONS</b>		
Customer / Project Name:		
Finish: <b>SEE FINISH NOTES</b>	Date: <b>2/13/2018</b>	
Drawing No. <b>PDXT-02-12-18</b>	Rev.	Sheet: <b>4 of 7</b>



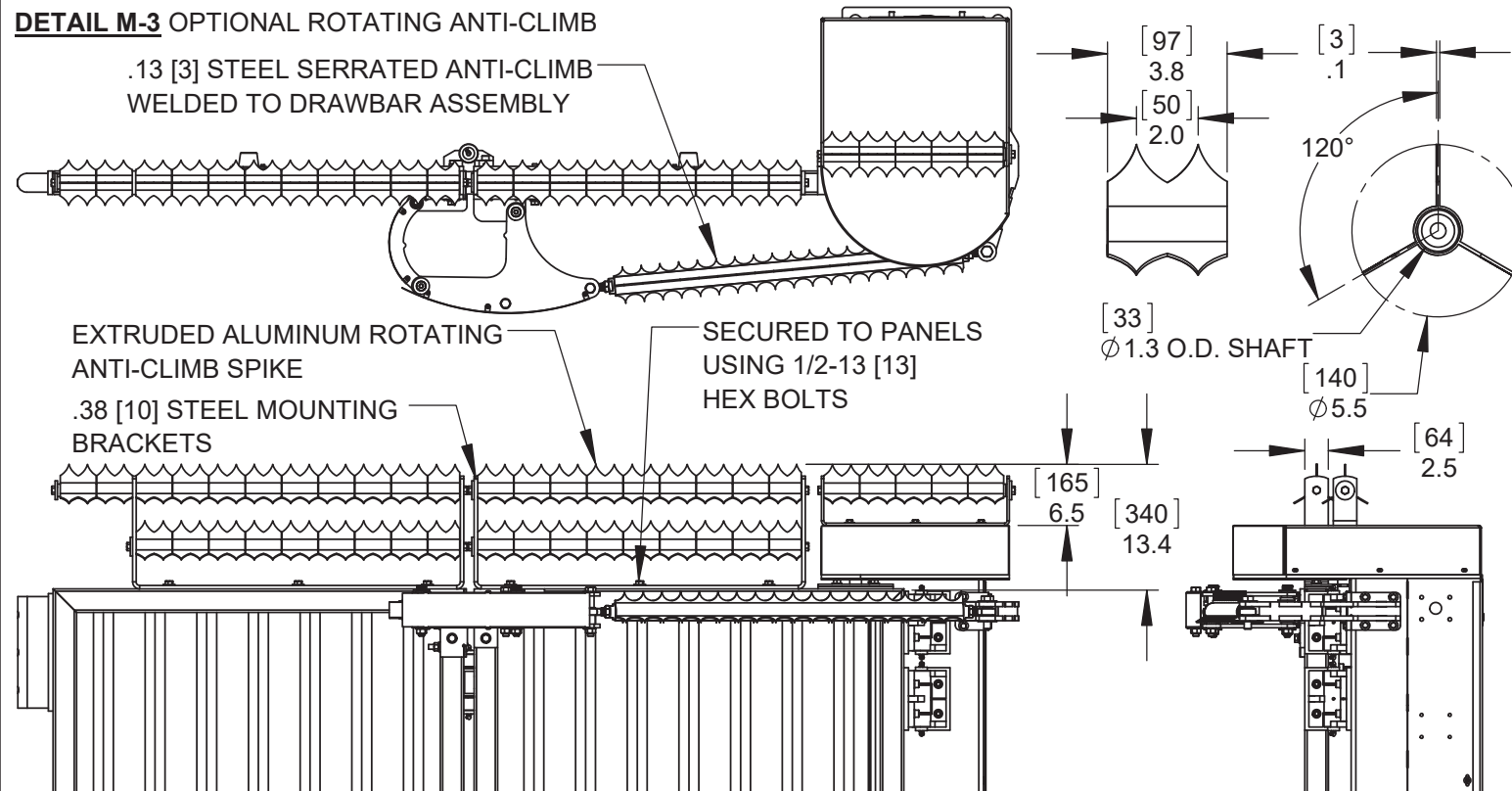
**DETAIL M-1** OPTIONAL SERRATED ALUMINUM ANTI-CLIMB



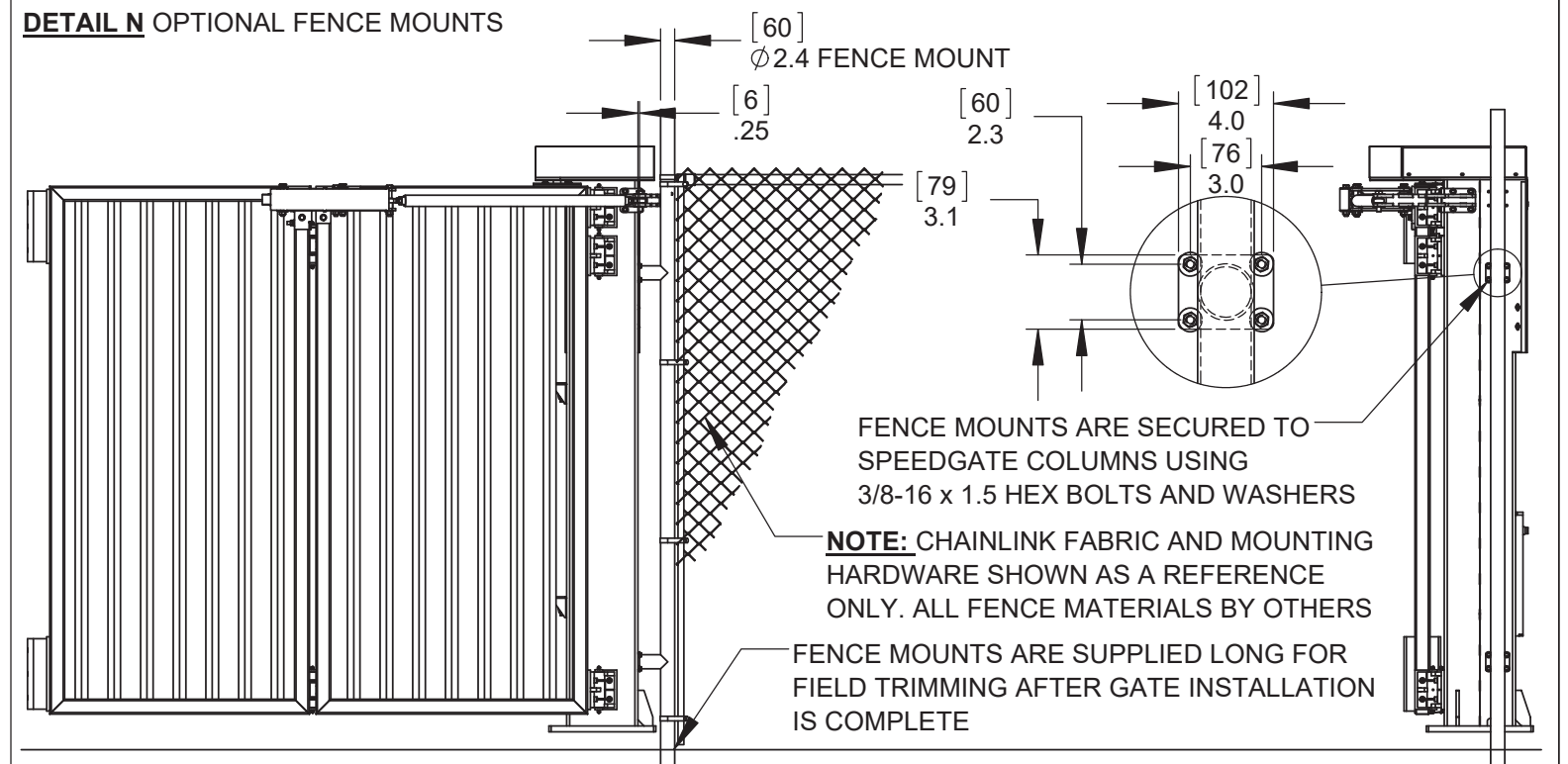
**DETAIL M-2** BARBED WIRE ANTI-CLIMB



**DETAIL M-3** OPTIONAL ROTATING ANTI-CLIMB



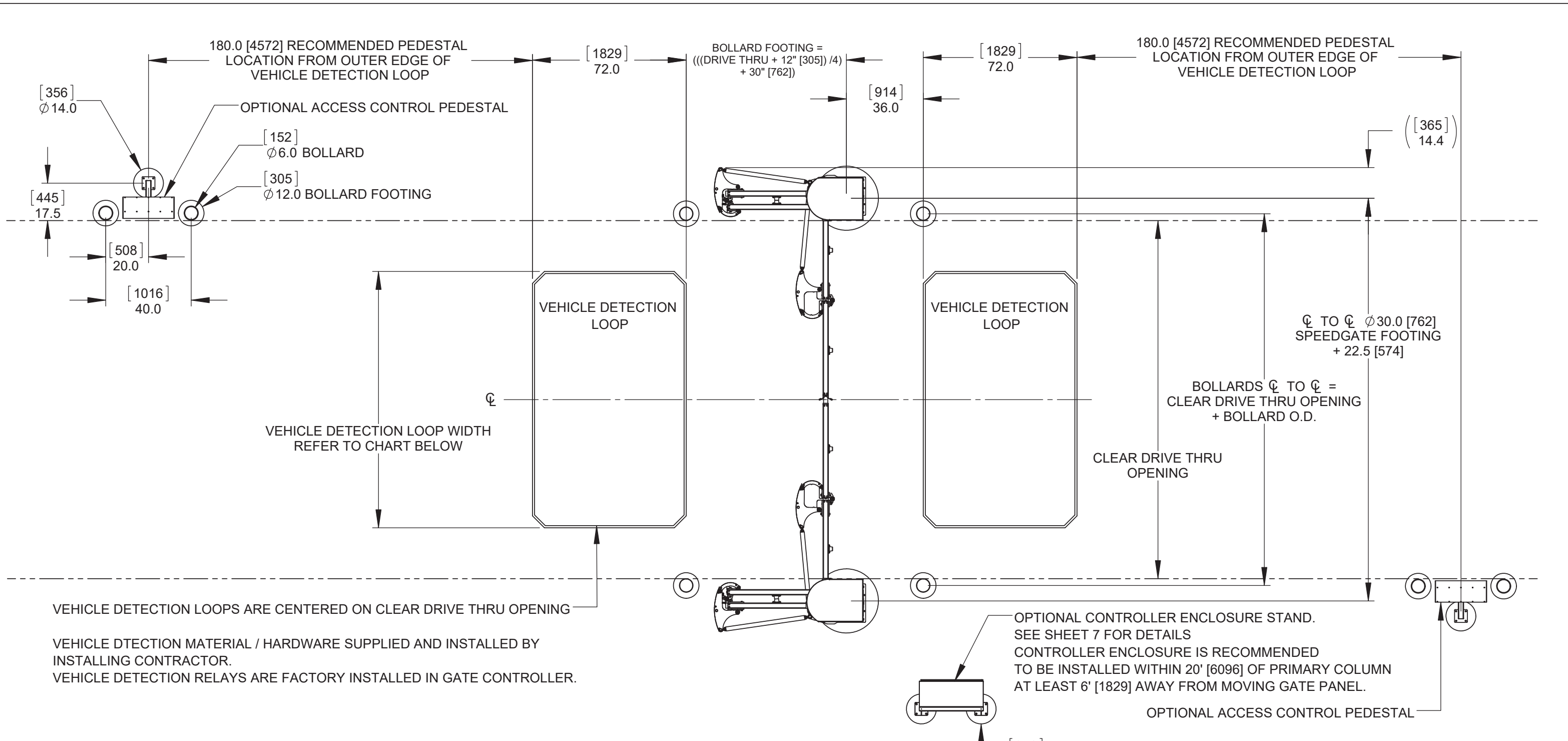
**DETAIL N** OPTIONAL FENCE MOUNTS



Description:		<b>PDXT POST DRIVE TRACKLESS SPEEDGATE STANDARD NOTES AND OPTIONS</b>	
Customer / Project Name:			
Finish:	SEE FINISH NOTES	Date:	2/13/2018
Drawing No.	<b>PDXT-02-12-18</b>	Rev.	Sheet: 5 of 7


  
**WALLACE**  
 PERIMETER SECURITY

115 Lowson Crescent  
 Winnipeg, Manitoba, Canada, R3P 1A6  
 Phone: 1-866-300-1110  
 Fax: 1-204-284-1868  
 Web: www.wallaceperimetersecurity.com



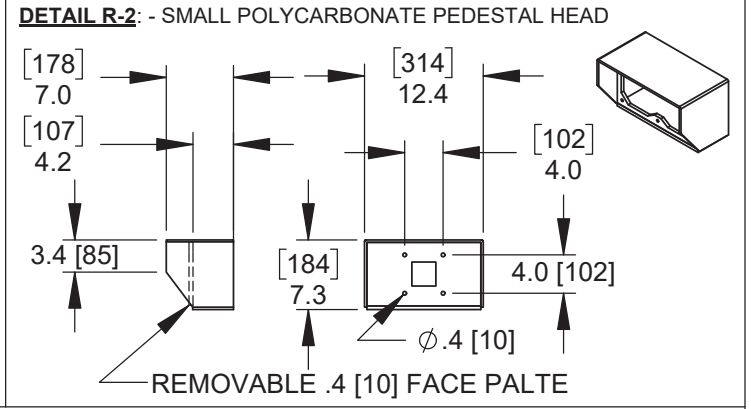
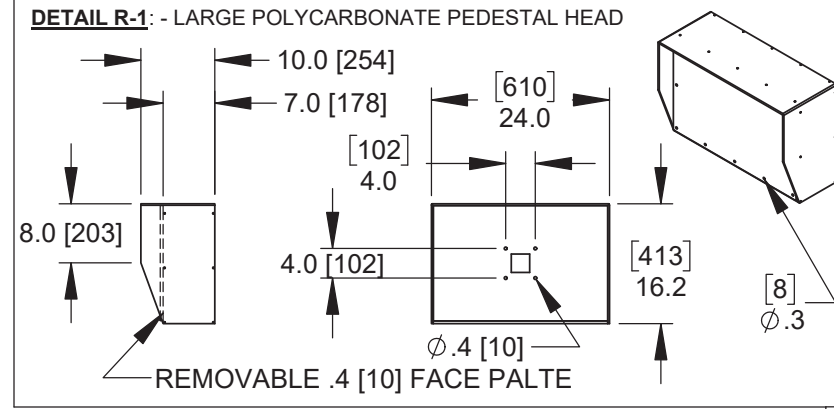
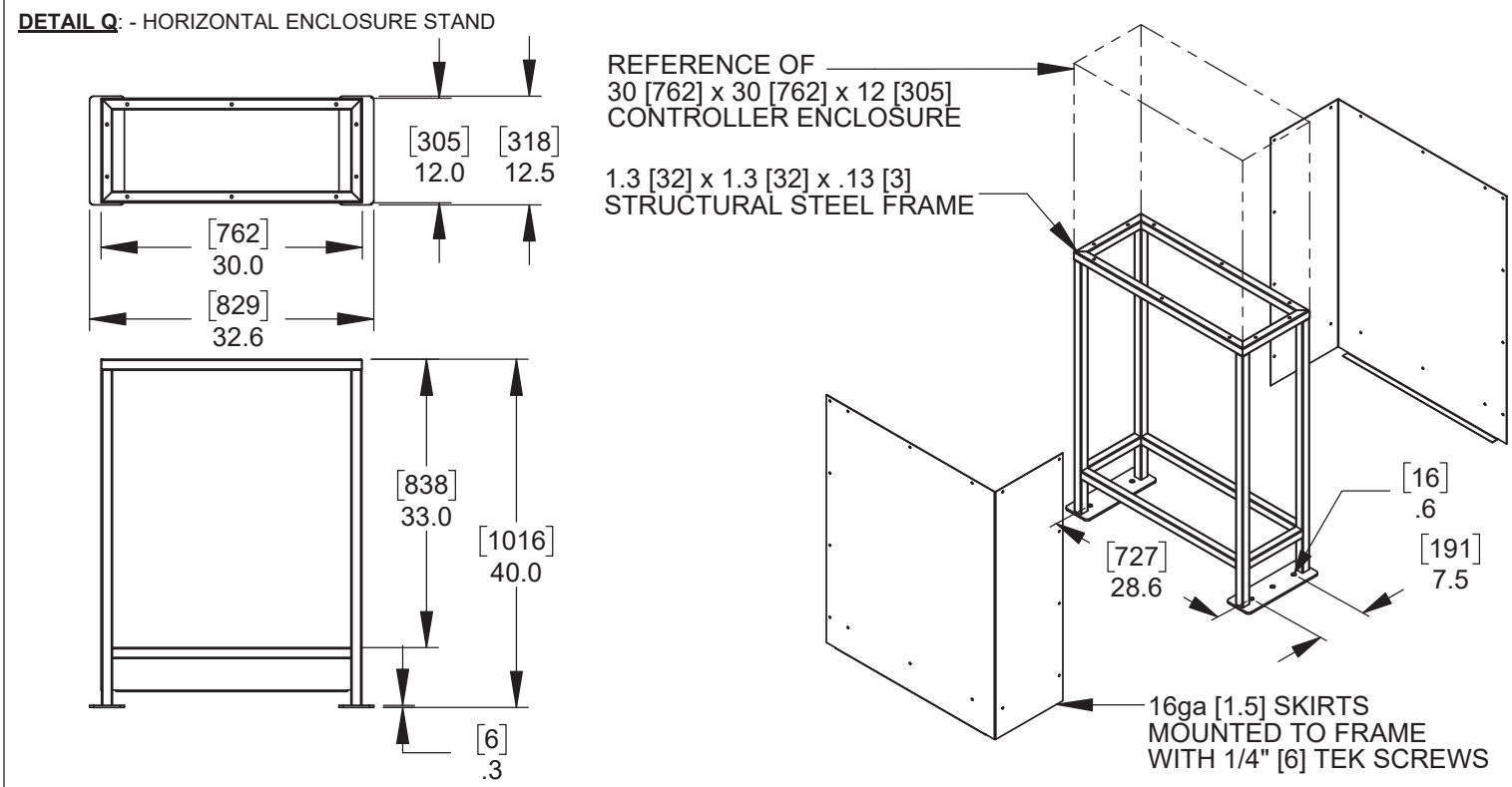
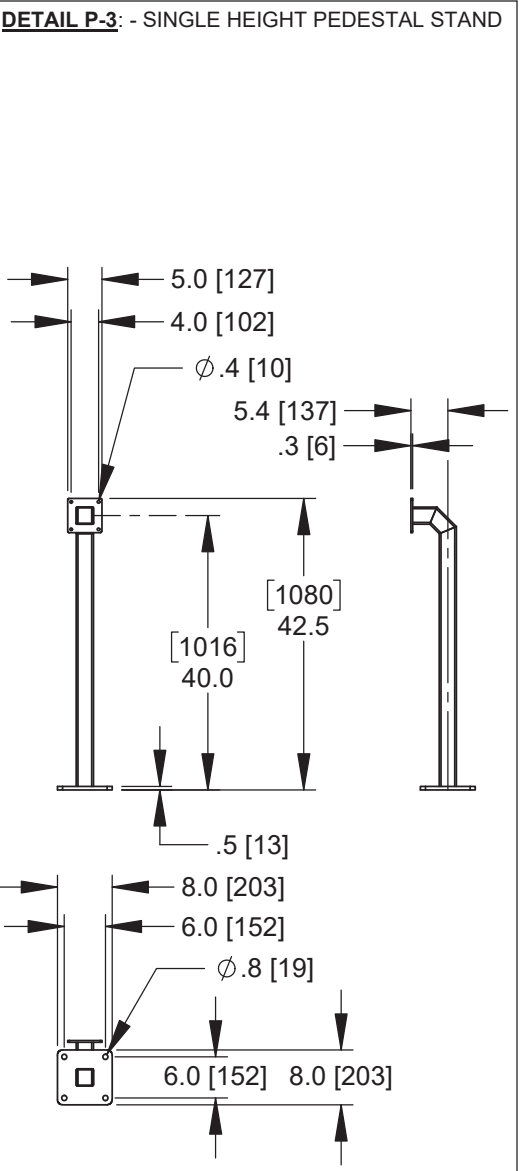
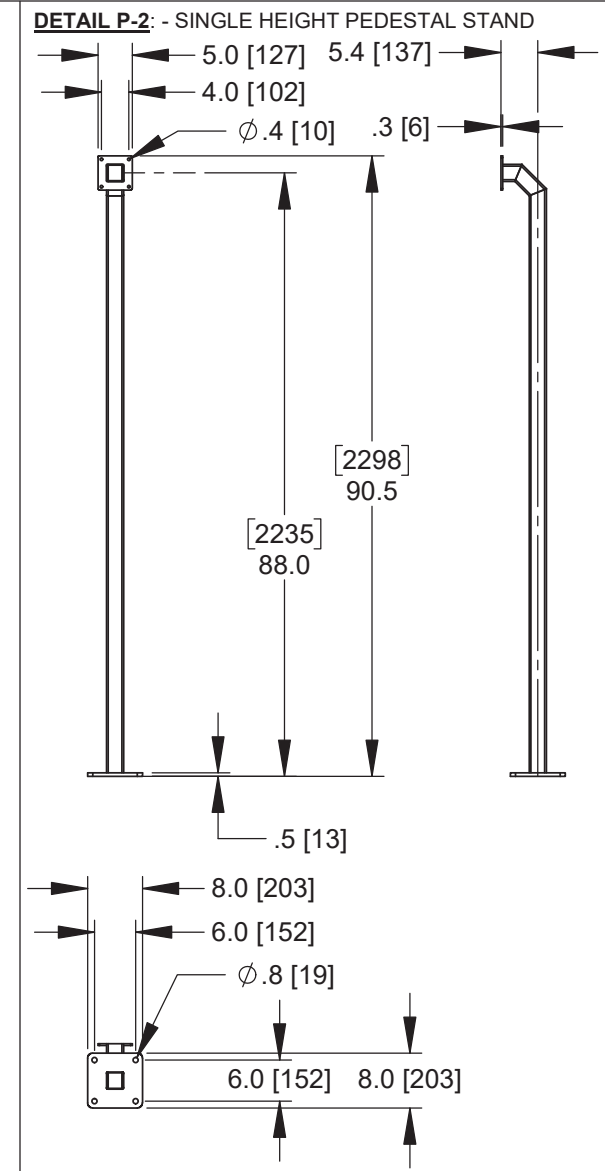
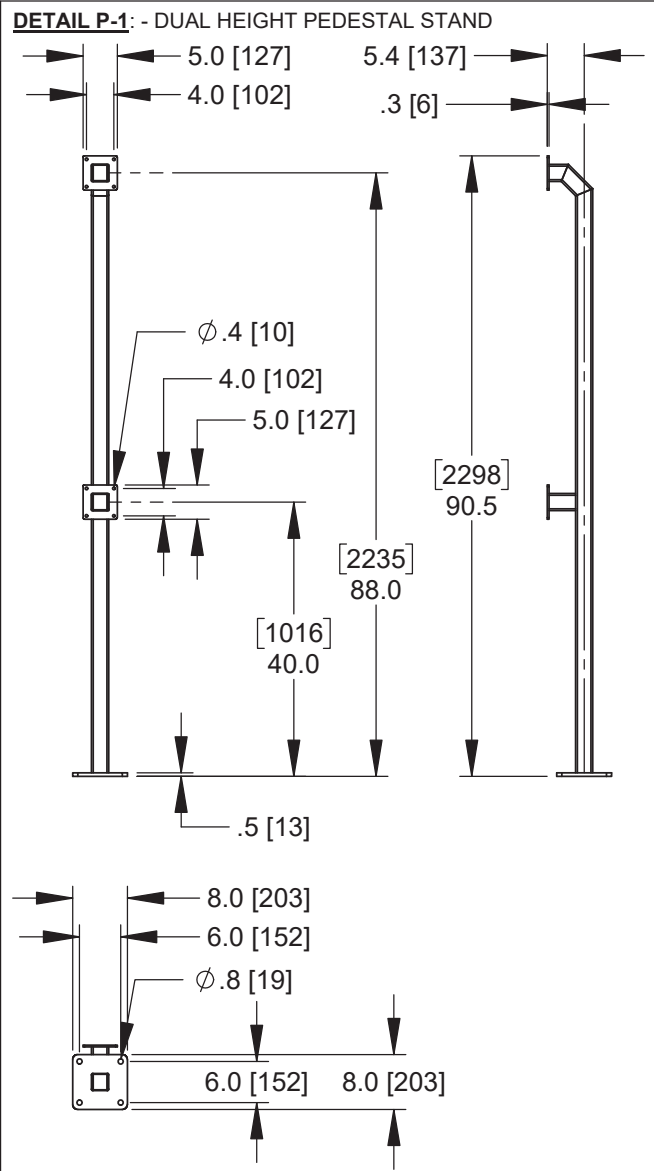
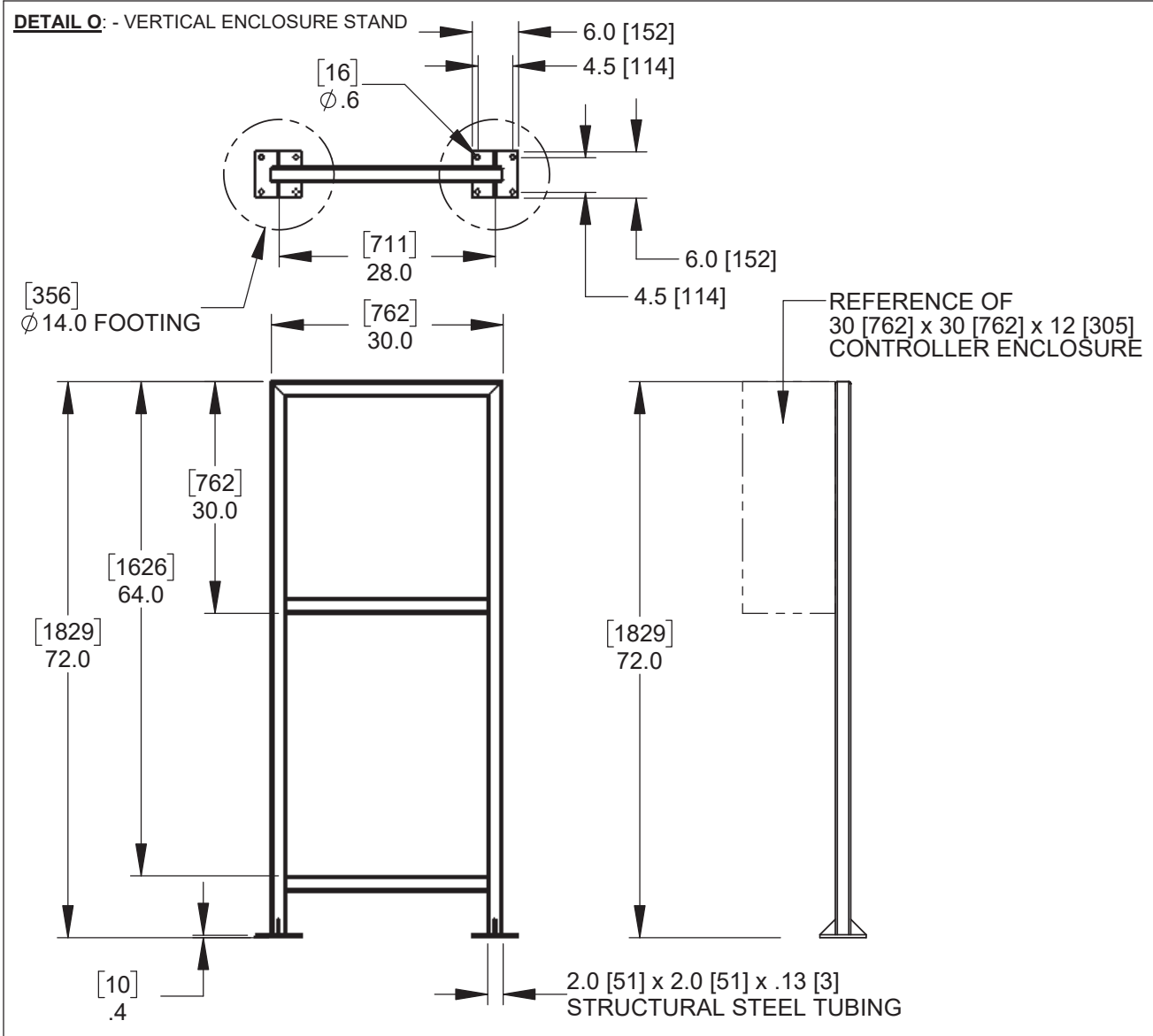
**OPTIONAL PRE-FORMED VEHICLE DETECTION LOOP WIDTH:**

CLEAR DRIVE THRU OPENING	LOOP WIDTH
10' [3048]	6' [1829]
12' [3658]	8' [2438]
14' [4267]	10' [3048]
16' [4877]	12' [3658]
18' [5486]	14' [4267]
20' [6096]	16' [4877]
23' [7010]	20' [6096]

**NOTE:**  
BOLLARD FOUNDATION LOCATIONS ARE SUPPLIED AS A REFERENCE ONLY.  
ALL FINAL MATERIALS AND DIMENSIONS ARE SUPPLIED AND INSTALLED BY OTHERS.

115 Lowson Crescent  
Winnipeg, Manitoba, Canada, R3P 1A6  
Phone: 1-866-300-1110  
Fax: 1-204-284-1868  
Web: www.wallaceperimetersecurity.com

Description: <b>PDXT POST DRIVE TRACKLESS SPEEDGATE FOOTINGS / VEHICLE DETECTION LOOP LOCATIONS</b>	
Customer / Project Name:	
Finish:	Date: 2/13/2018
Drawing No. <b>PDXT-02-12-18</b>	Rev. Sheet: 6 of 7



115 Lawson Crescent  
Winnipeg, Manitoba, Canada, R3P 1A6  
Phone: 1-866-300-1110  
Fax: 1-204-284-1868  
Web: www.wallaceperimetersecurity.com

Description:		<b>PDXT POST DRIVE TRACKLESS SPEEDGATE CONTROLLER ENCLOSURE STANDS PEDESTAL HEADS / PEDESTAL STANDS</b>	
Customer / Project Name:			
Finish:		Date:	3/21/2019
Drawing No.	<b>PDXT-02-12-18</b>	Rev.	Sheet: 7 of 7