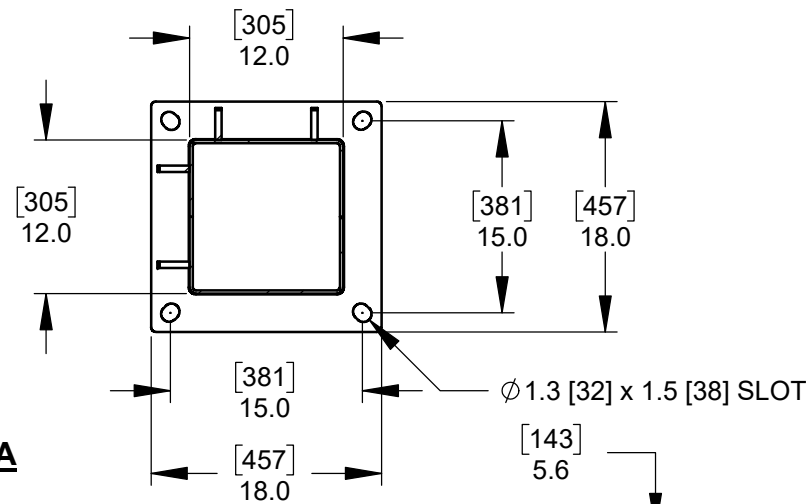
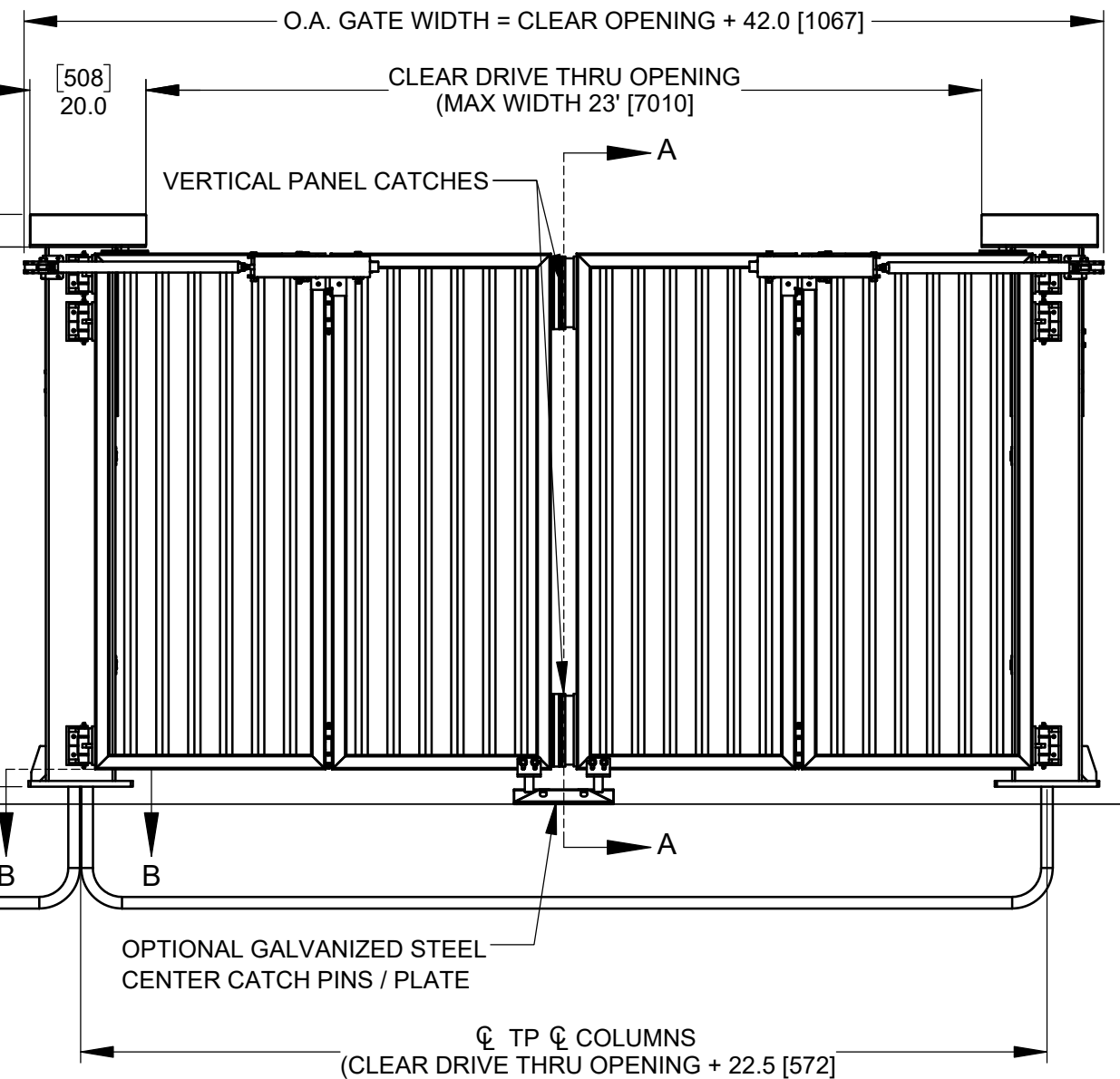
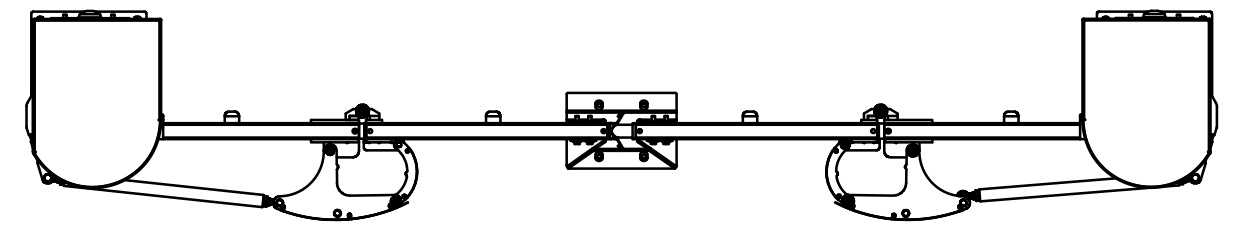
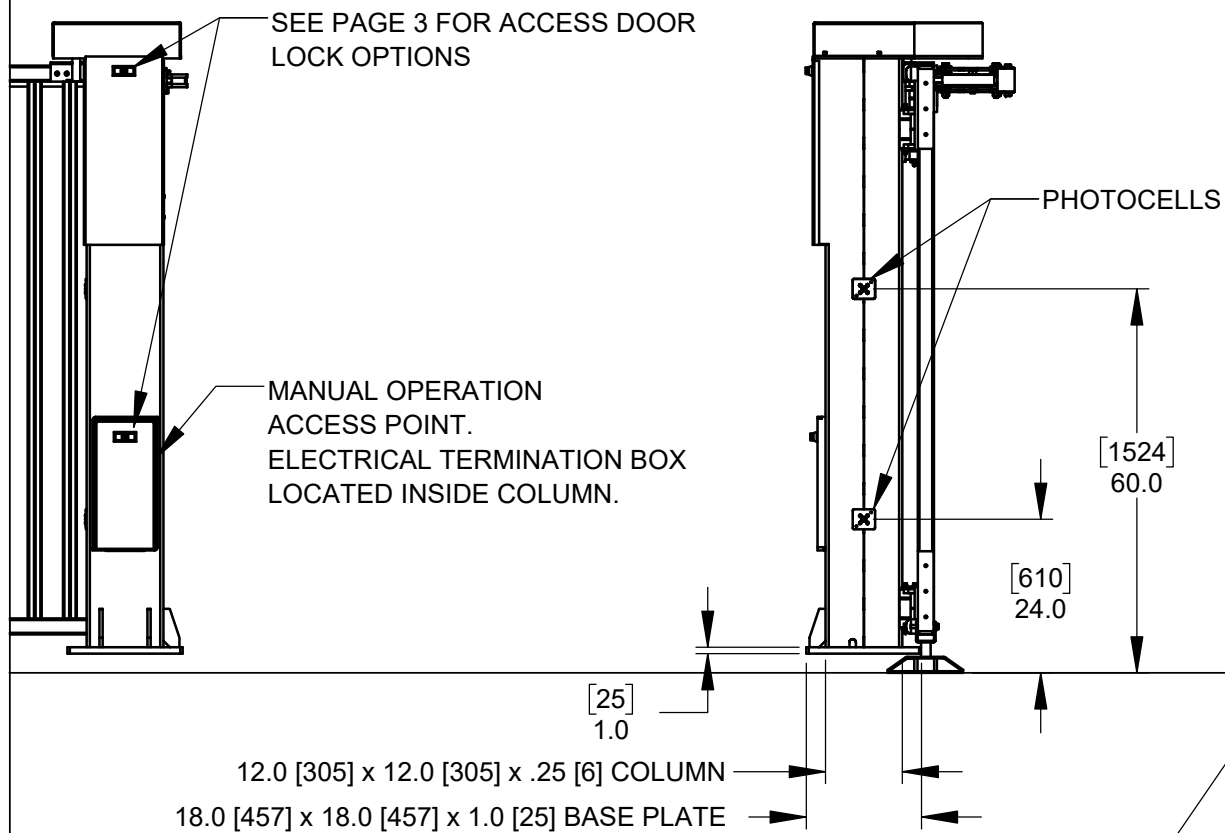


**SECTION B-B - COLUMN BASE PLATE**



**SECTION A-A**



2 ELECTRICAL CONTROLLERS MOUNTED IN A 30.0" [762] x 30.0" [762] x 12.0" [305] NEMA 3R ENCLOSURE c/w WIRE HARNESS. STANDARD WIRE HARNESS LENGTH ALLOWS FOR CONTROLLER TO BE PLACED UP TO 30' [9.1M] FROM PRIMARY COLUMN. (COLUMN LOCATED CLOSEST TO ENCLOSURE) OPTIONAL EXTENDED WIRE HARNESS IS AVAILABLE WHERE CONTROLLERS ARE TO BE MOUNTED BEYOND STANDARD WIRE HARNESS LENGTH. MAX. HARNESS LENGTH IS DETERMINED BY CLEAR OPENING WIDTH. ENCLOSURE, CONTROLLERS AND WIRE HARNESS BY WALLACE PERIMETER SECURITY, CONDUIT BY OTHERS. SEE DETAIL A ON PAGE 2 FOR CONDUIT SIZES AND QUANTITIES. **POWER REQUIREMENTS: 240V, SINGLE PHASE, 20A**

**FINISH NOTES:**  
STANDARD FINISH: HOT DIPPED GALVANIZED  
OPTIONAL POWDER COAT PAINT FINISH AVAILABLE

DIMENSIONS ARE SHOWN IN INCHES, DIMENSIONS IN [ ] ARE IN MILLIMETERS

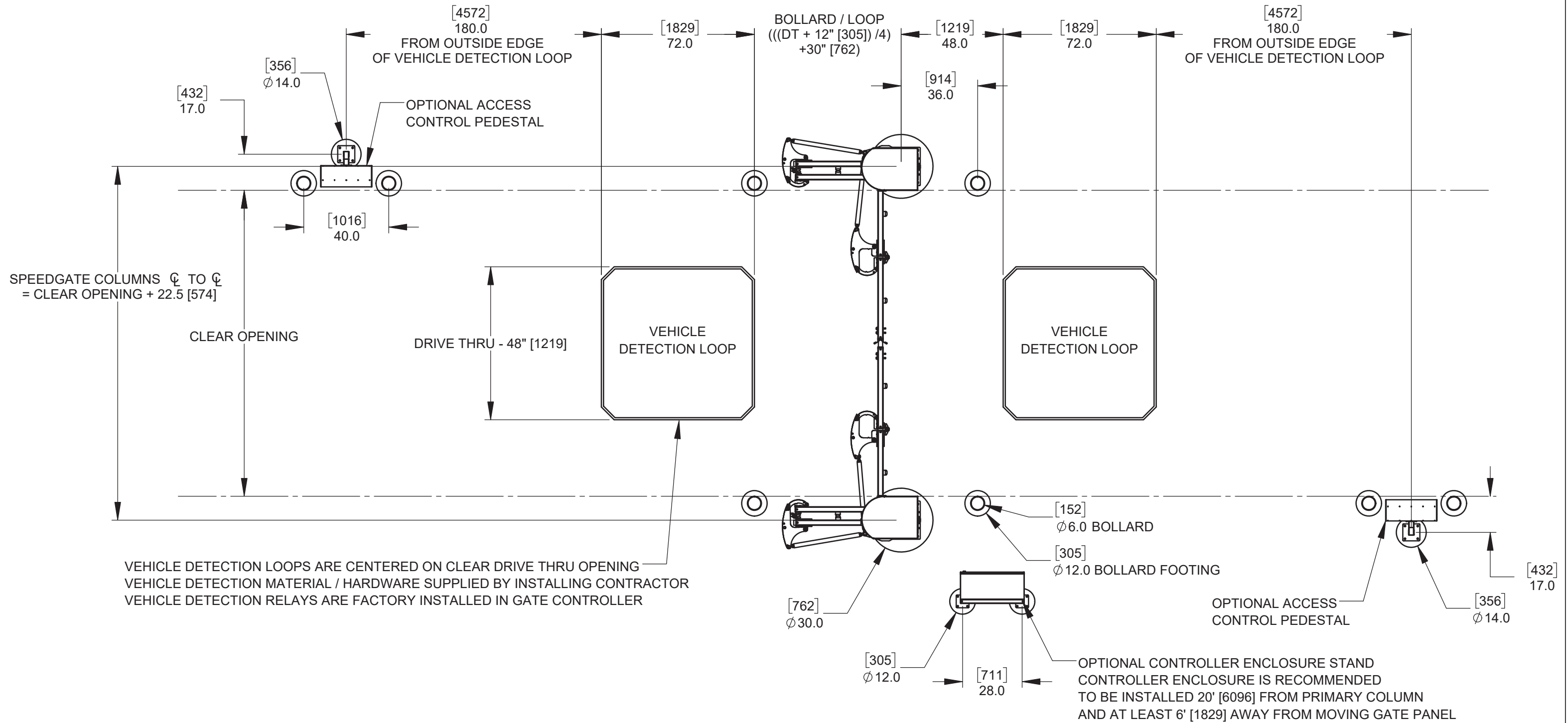
**STANDARD GATE HEIGHTS:**

6' [1.8M]	72.0" [1829]
7' [2.1M]	84.0" [2134]
8' [2.4M]	96.0" [2438]
9' [2.7M]	108" [2743]
10' [3.0M]	120.0" [3048]



115 Lowson Crescent  
Winnipeg, Manitoba, Canada, R3P 1A6  
Phone: 1-866-300-1110  
Fax: 1-204-284-1868  
Web: www.wallaceperimetersecurity.com

Description: <b>PDXT POST DRIVE TRACKELSS SPEEDGATE STANDARD DIMENSIONS / NOTES</b>		
Customer:		
Finish: <b>SEE FINISH NOTES</b>	Date: <b>6/3/2022</b>	
Drawing No. <b>PDXT</b>	Rev.	Sheet: <b>1 of 6</b>



**NOTE:**  
 BOLLARD LOCATIONS ARE SUPPLIED AS A REFERENCE ONLY.  
 ALL FINAL MATERIALS AND DIMENSIONS ARE SUPPLIED AND INSTALLED BY OTHERS.

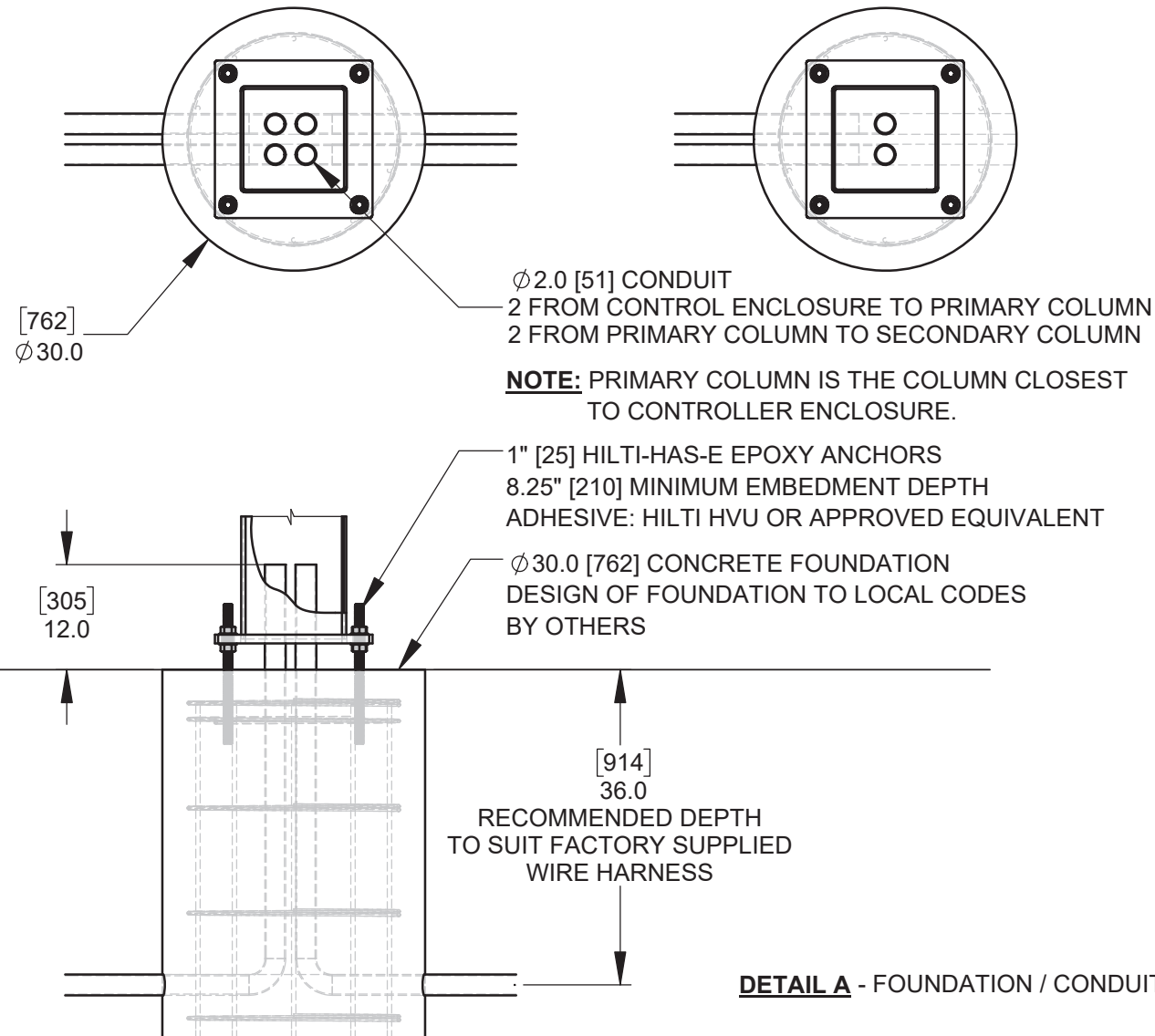


115 Lowson Crescent  
 Winnipeg, Manitoba, Canada, R3P 1A6  
 Phone: 1-866-300-1110  
 Fax: 1-204-284-1868  
 Web: www.wallaceperimetersecurity.com

Description:		<b>PDXT POST DRIVE TRACKLESS SPEEDGATE PLAN VIEW</b>	
Customer:			
Finish:	SEE FINISH NOTES	Date:	6/9/2022
Drawing No.	PDXT	Rev.	Sheet: 2 of 6

**PRIMARY COLUMN**

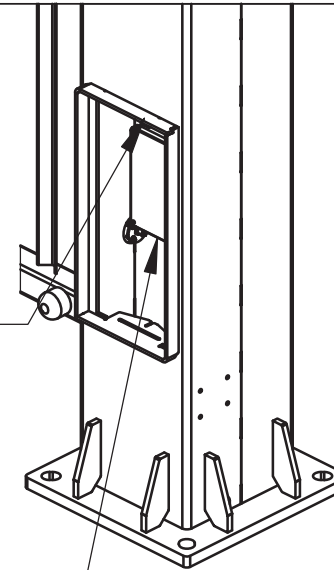
**SECONDARY COLUMN**



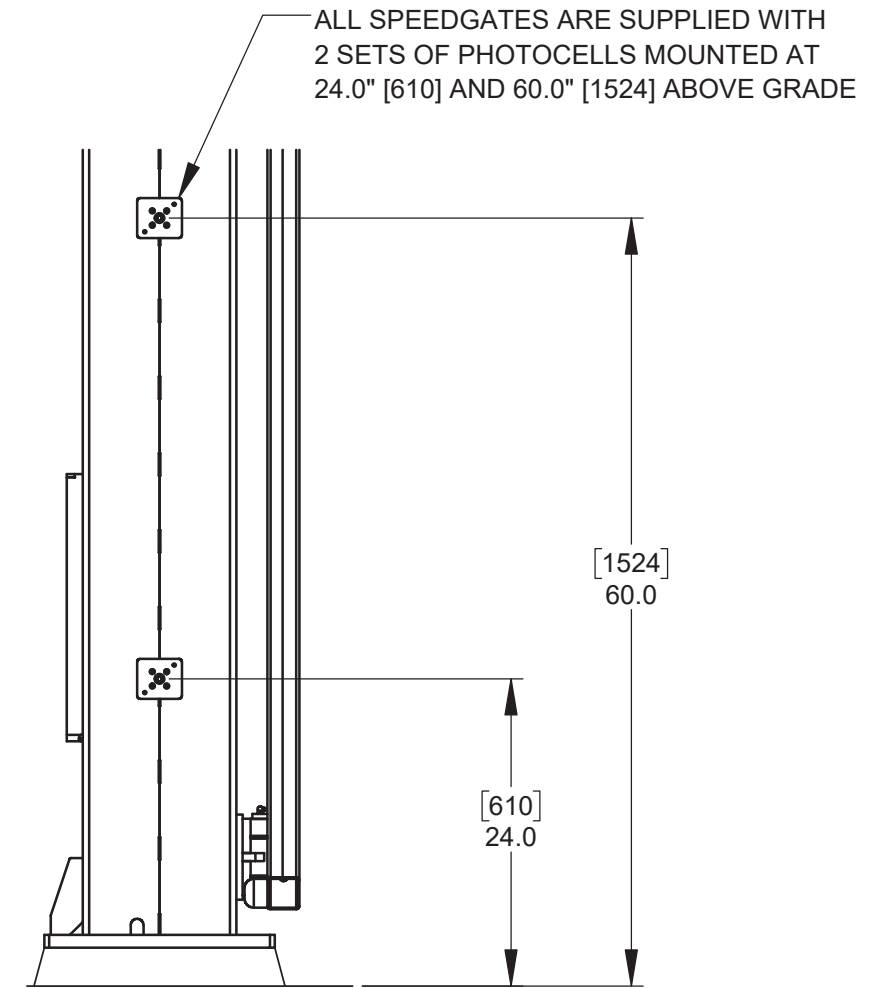
**DETAIL A - FOUNDATION / CONDUIT**

MANUAL OPERATION ACCESS POINTS ARE LOCATED INSIDE LOWER COLUMN ACCESS DOORS. GATE IS MANUALLY OPERATED BY ENGAGING THE BRAKE DISCONNECT CABLES INSIDE OF THE COLUMN

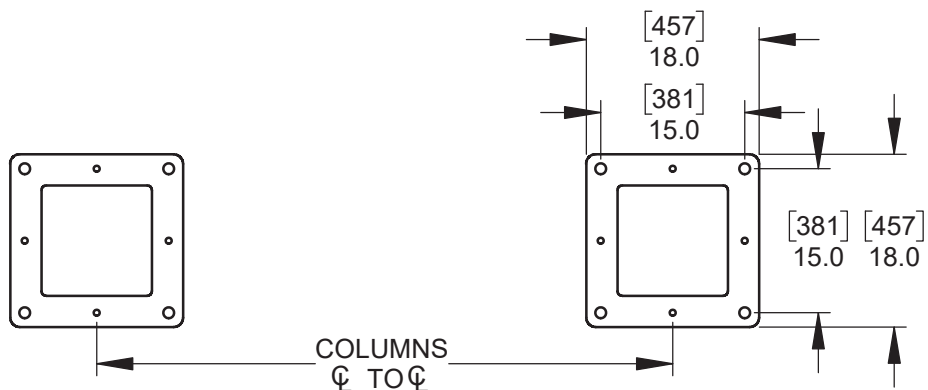
COLUMN ELECTRICAL TERMINATION BOX IS LOCATED INSIDE LOWER ACCESS DOOR OF PRIMARY COLUMN. PRIMARY COLUMN IS THE COLUMN LOCATED CLOSEST TO THE CONTROLLER ENCLOSURE



**DETAIL C - MANUAL OPERATION ACCESS POINT COLUMN ELECTRICAL TERMINATION**



**DETAIL D - PHOTOCELLS**



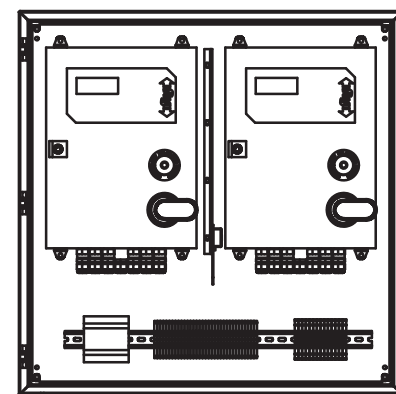
**OPTIONAL ANCHOR TEMPLATE KIT:**

- 2, .13" [3] STEEL ANCHOR TEMPLATES FOR FIELD CONSTRUCTION OF ANCHOR DRILLING TEMPLATE.

**OPTIONAL ANCHOR BOLT KIT:**

- 8, 1" [25] HILTI HAS-E-16 EPOXY ANCHORS
- 8, HILTI HVU ADHESIVE CAPSULES

**DETAIL B - OPTIONAL ANCHOR BOLT TEMPLATE**



**OPTIONAL HOT WEATHER KIT INCLUDES:**

EXHAUST FAN, VENT GRILLES, RAIN SHROUDS AND THERMOSTAT.

**OPTIONAL COLD WEATHER KIT INCLUDES:**

320 WATT SELF-REGULATING HEATER, THERMAL COVER.

**NOTE:**

THERMAL COVER IS ONLY AVAILABLE IF CONTROLLER ENCLOSURE IS FREE STANDING.

**DETAIL E - ENVIRONMENTAL CONTROLS**

**NOTES:**

**INCLUDED WITH SPEEDGATE:**

- 2, ELECTRONIC GATE CONTROLLERS IN A 30" [762] x 30" [762] x 12" [305] NEMA 3R ENCLOSURE
- STANDARD ELECTRICAL WIRING HARNESS WHICH ALLOWS CONTROL ENCLOSURE TO BE MOUNTED UP TO 30' [9.1M] FROM PRIMARY COLUMN. OPTIONAL EXTENDED WIRING HARNESS AVAILABLE.
- KEY(S) AND LOCK(S) FOR ALL ACCESS PANELS, SEE SHEET 3 FOR LOCK OPTIONS.

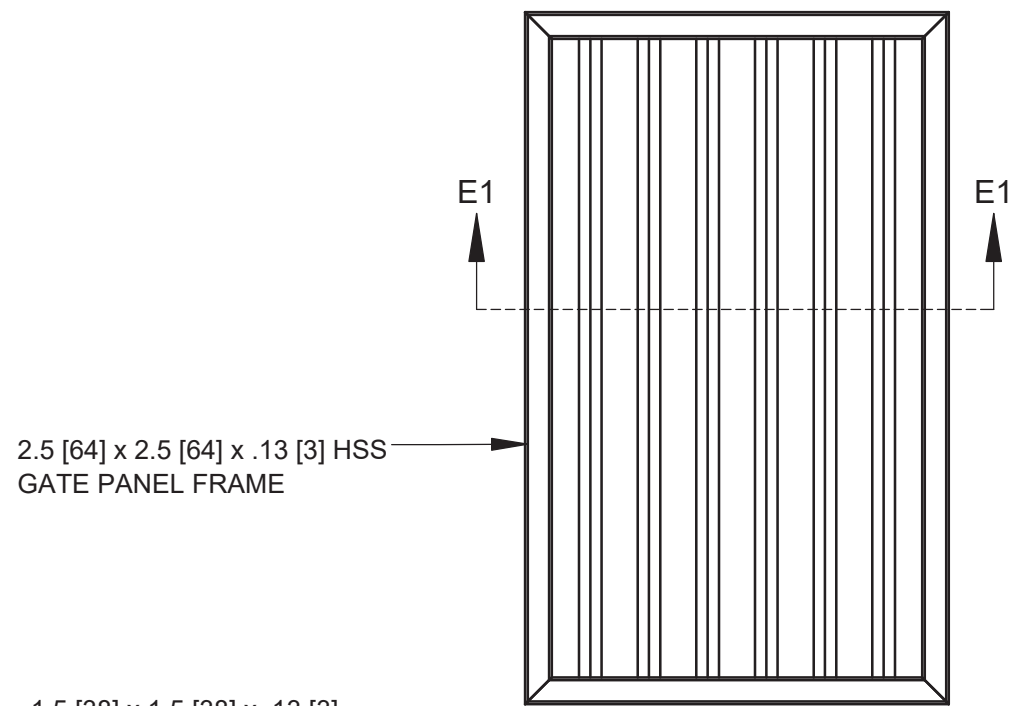
**NOT INCLUDED WITH SPEEDGATE:**

- GATE MOUNTING HARDWARE, OPTIONAL ANCHOR BOLT \ ANCHOR TEMPLATE KITS AVAILABLE.
- VEHICLE DETECTION LOOPS
- GROUT TO FILL GAP UNDER COLUMN BASE PLATES WHEN GATE LEVELING IS COMPLETE.



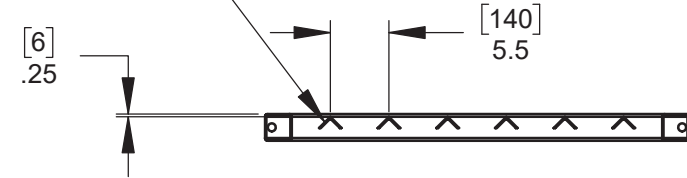
115 Lowson Crescent  
Winnipeg, Manitoba, Canada, R3P 1A6  
Phone: 1-866-300-1110  
Fax: 1-204-284-1868  
Web: www.wallaceperimetersecurity.com

Description:		<b>PDXT POST DRIVE TRACKLESS SPEEDGATE STANDARD NOTES AND OPTIONS</b>	
Customer:			
Finish:	SEE FINISH NOTES	Date:	6/9/2022
Drawing No.	<b>PDXT</b>	Rev.	Sheet:
			of 6



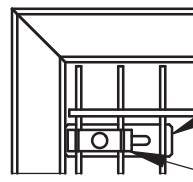
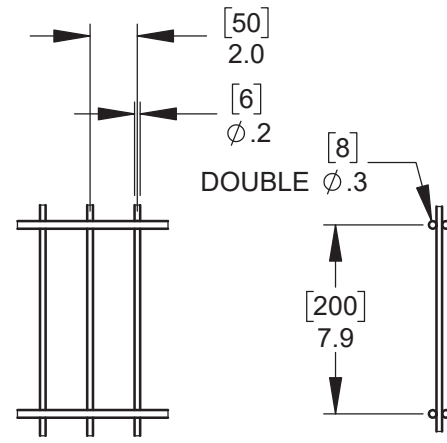
2.5 [64] x 2.5 [64] x .13 [3] HSS  
GATE PANEL FRAME

1.5 [38] x 1.5 [38] x .13 [3]  
STRUCTURAL ANGLE PICKET



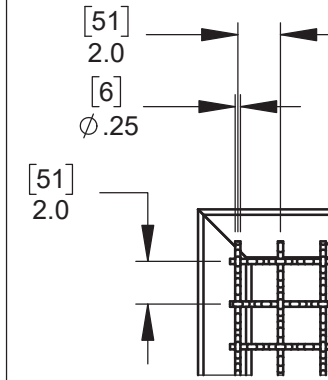
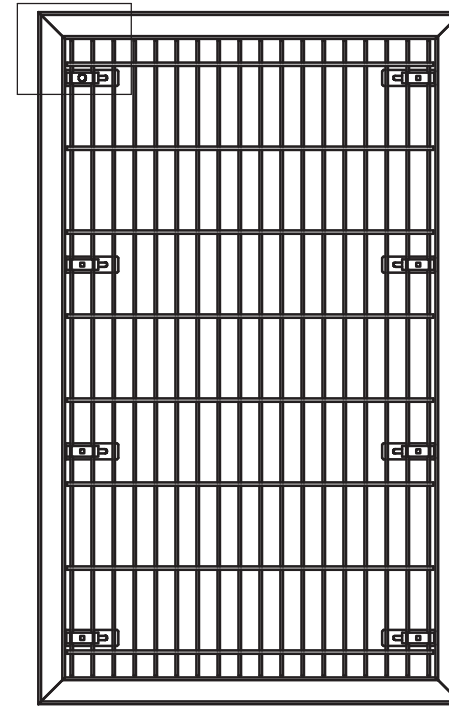
**DETAIL F1** - STANDARD VERTICAL PICKET INFILL

**RAMPART 280**



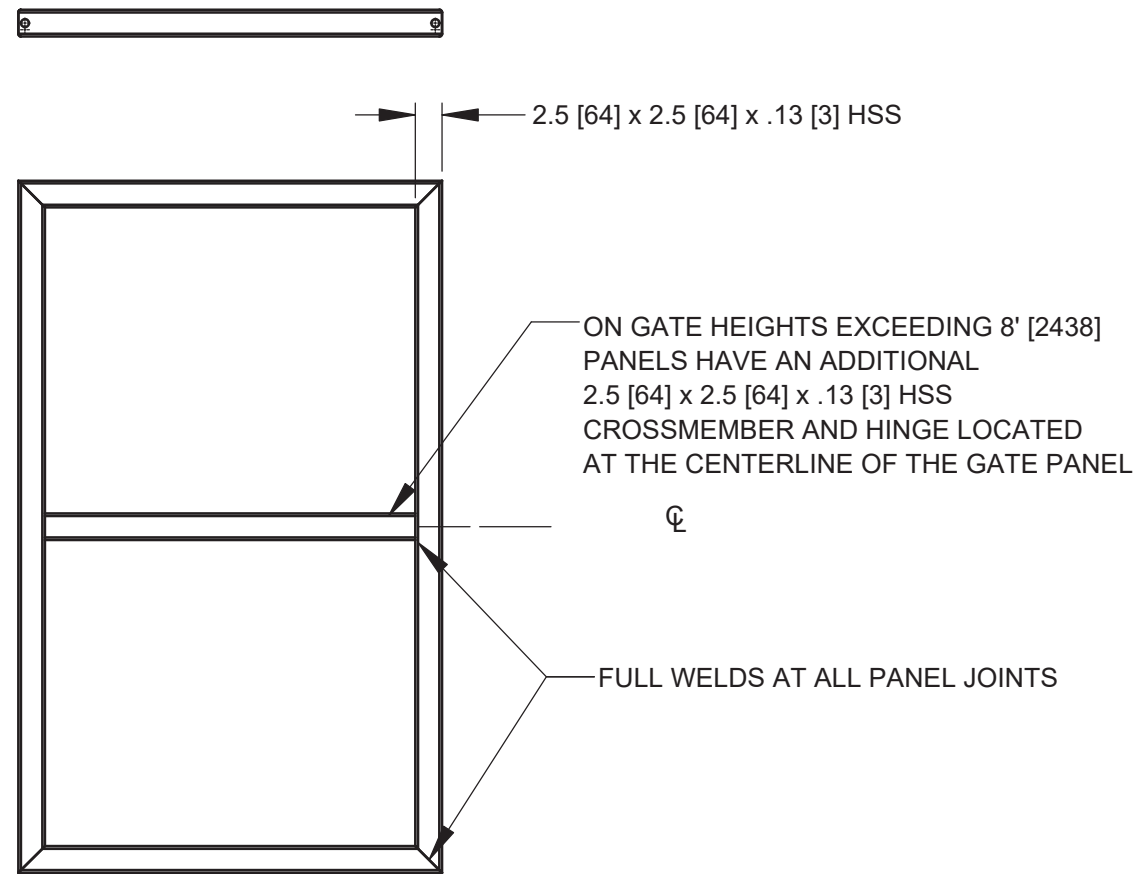
.25 [6] MOUNTING ANGLE WELDED  
TO GATE FRAME  
.25 [6] RETAINING PLATE  
5/16-18 x 1.5 [38] CARRIAGE BOLT WASHER & NUT

**DETAIL F2** - OPTIONAL RAMPART 280 WELDED WIRE INFILL



WOVEN WIRE PANEL IS WELDED TO  
PANEL FRAME AT ALL WIRE LOCATIONS

**DETAIL F3** - OPTIONAL 2" [51] x 2" [51] x  $\phi$ .25 [6] WOVEN WIRE INFILL



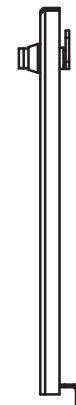
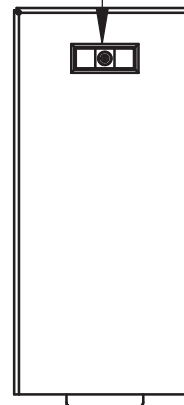
ON GATE HEIGHTS EXCEEDING 8' [2438]  
PANELS HAVE AN ADDITIONAL  
2.5 [64] x 2.5 [64] x .13 [3] HSS  
CROSSMEMBER AND HINGE LOCATED  
AT THE CENTERLINE OF THE GATE PANEL

FULL WELDS AT ALL PANEL JOINTS

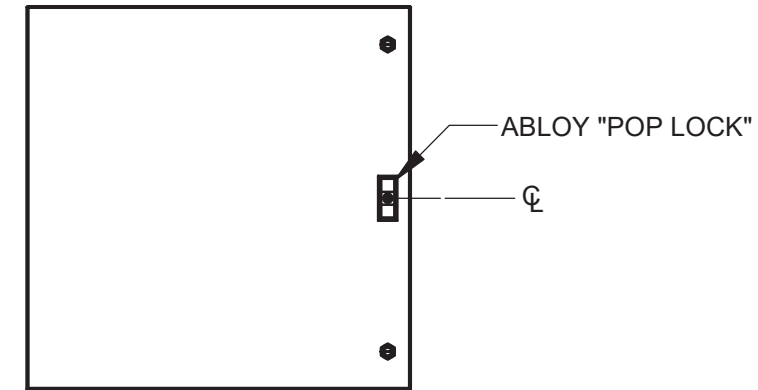
**DETAIL G** - GATE PANEL CONSTRUCTION

.13 [3] STEEL ACCESS DOORS  
AT ALL COLUMN ACCESS POINTS

STANDARD SPRING LOADED  
ABLOY "POP LOCK"



**DETAIL H** - ACCESS DOOR LOCK



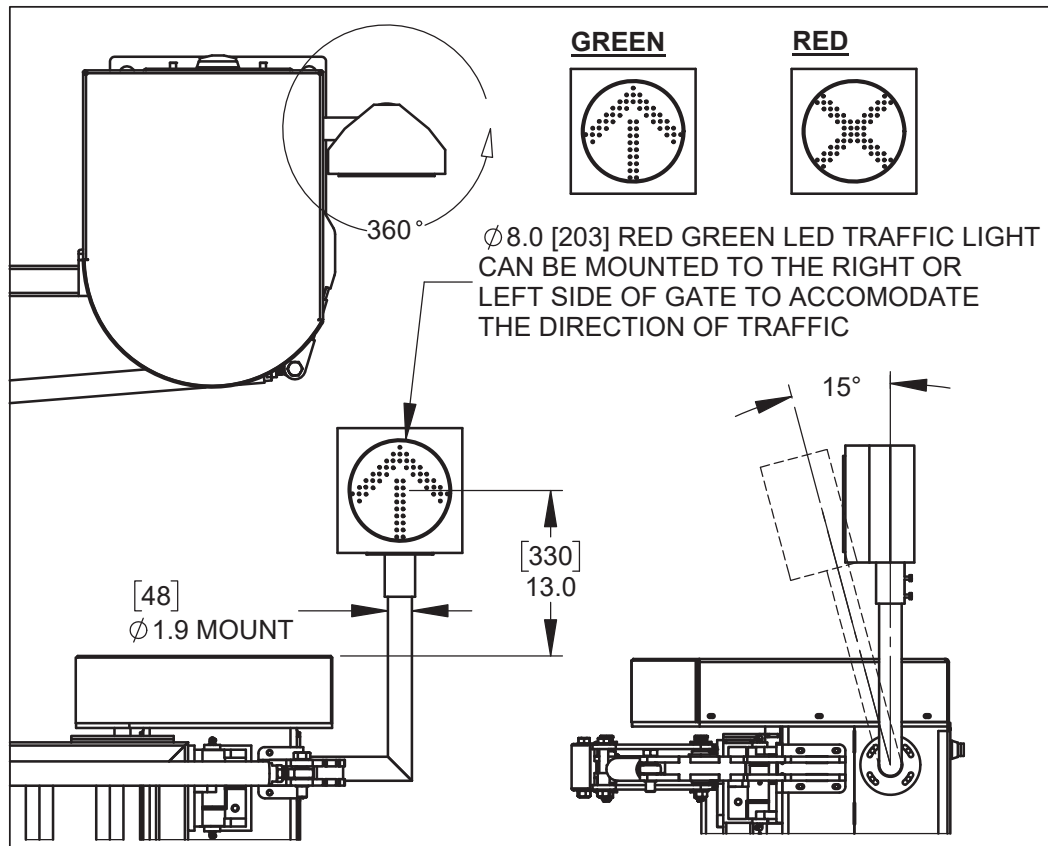
**STANDARD:** - ABLOY "POP LOCK" KEYED TO MATCH COLUMN ACCESS DOORS

**DETAIL I** - CONTROLLER ENCLOSURE LOCK

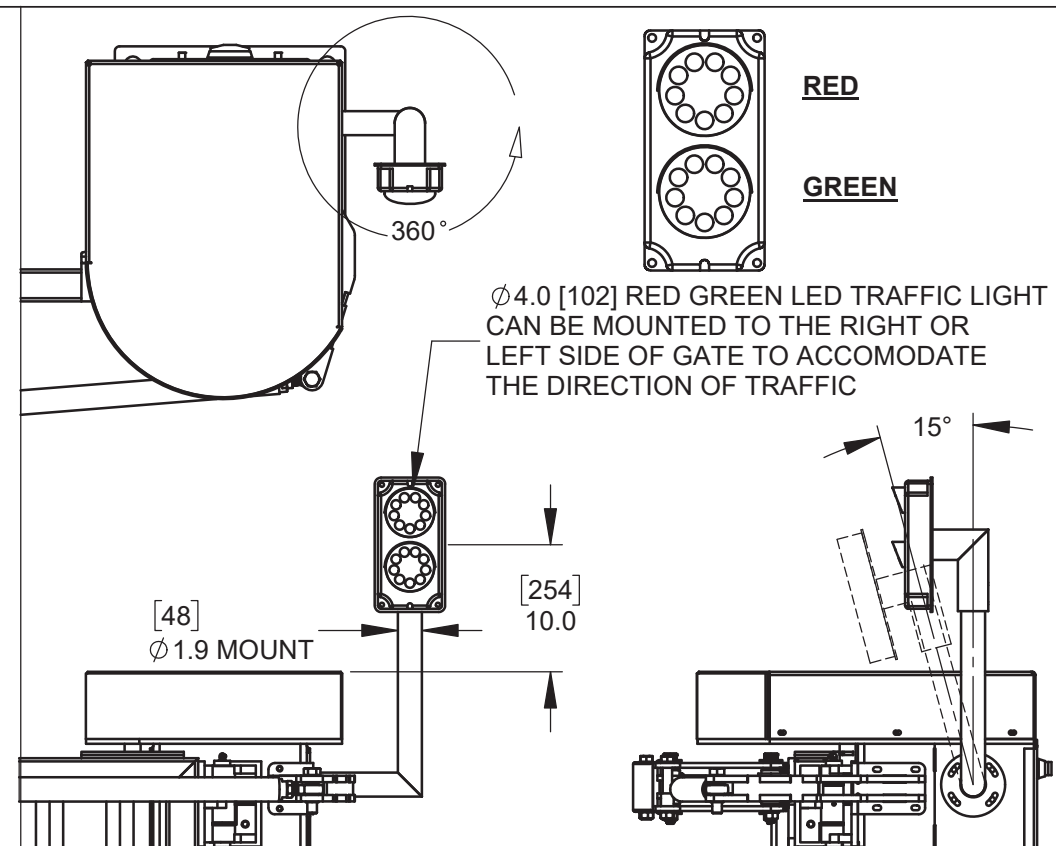


115 Lowson Crescent  
Winnipeg, Manitoba, Canada, R3P 1A6  
Phone: 1-866-300-1110  
Fax: 1-204-284-1868  
Web: www.wallaceperimetersecurity.com

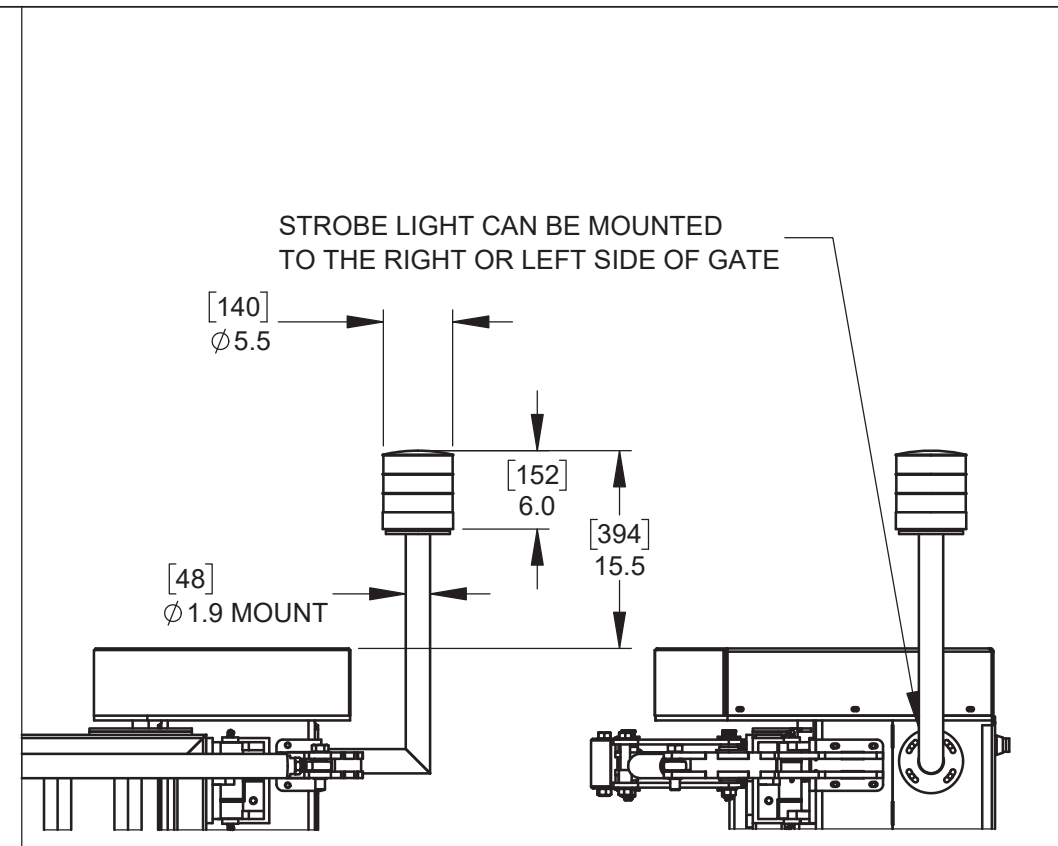
Description: <b>PDXT POST DRIVE TRACKLESS SPEEDAGTE PANEL INFILL / LOCK OPTIONS</b>		
Customer:		
Finish: <b>SEE FINISH NOTES</b>	Date: <b>6/9/2022</b>	
Drawing No. <b>PDXT</b>	Rev.	Sheet: <b>4 of 6</b>



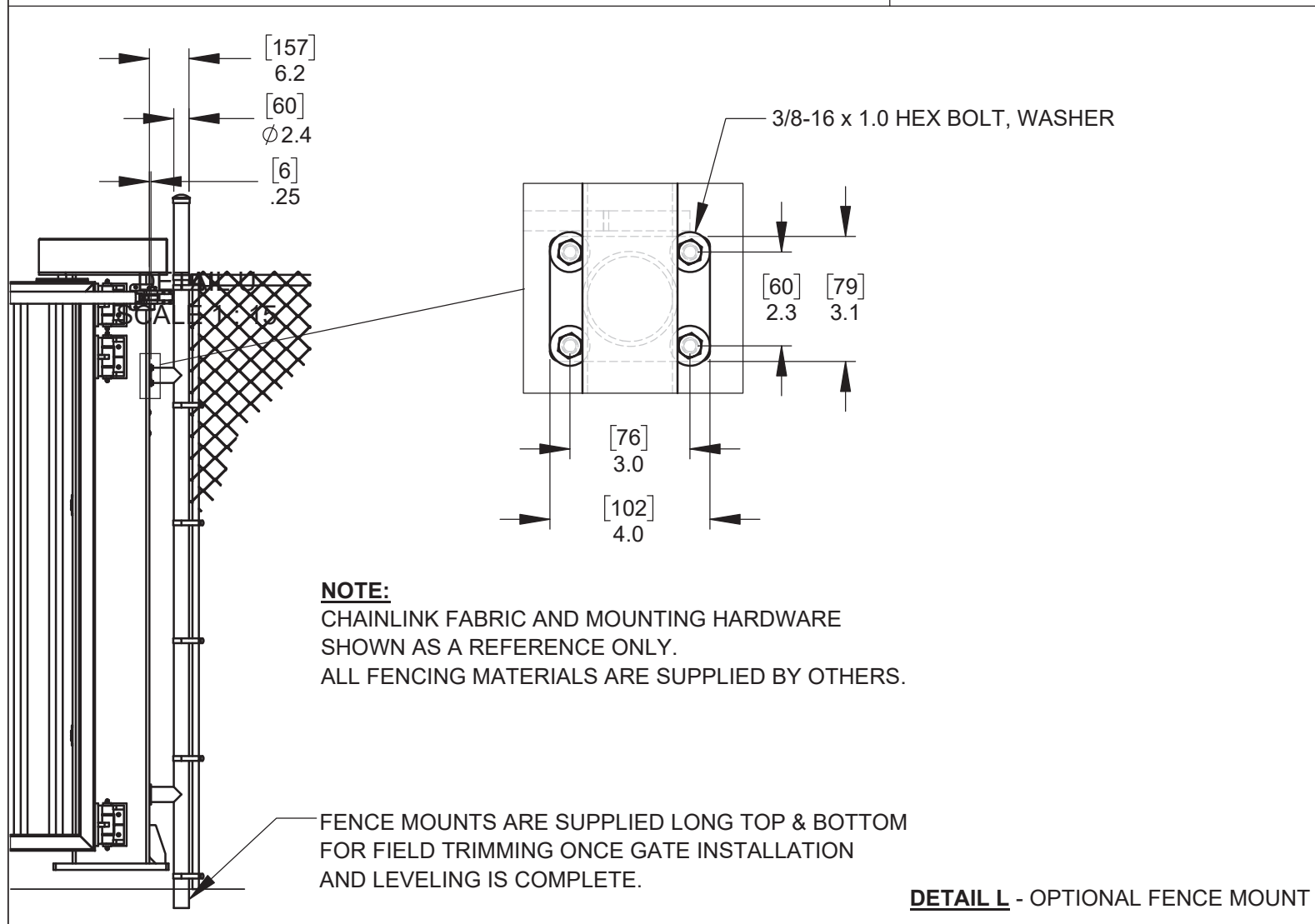
**DETAIL J-1 - OPTIONAL 8" [203] RED / GREEN LED TRAFFIC LIGHT**



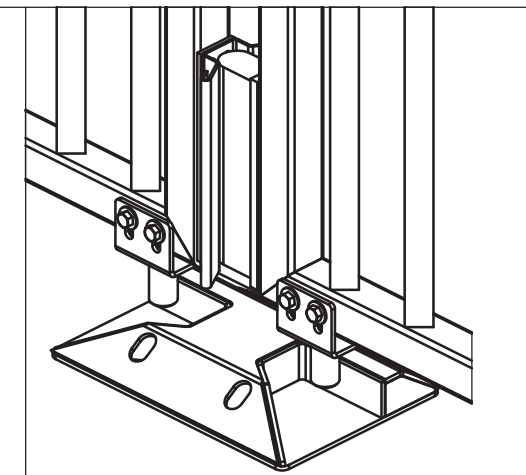
**DETAIL J-2 - OPTIONAL 4" [102] RED / GREEN LED TRAFFIC LIGHT**



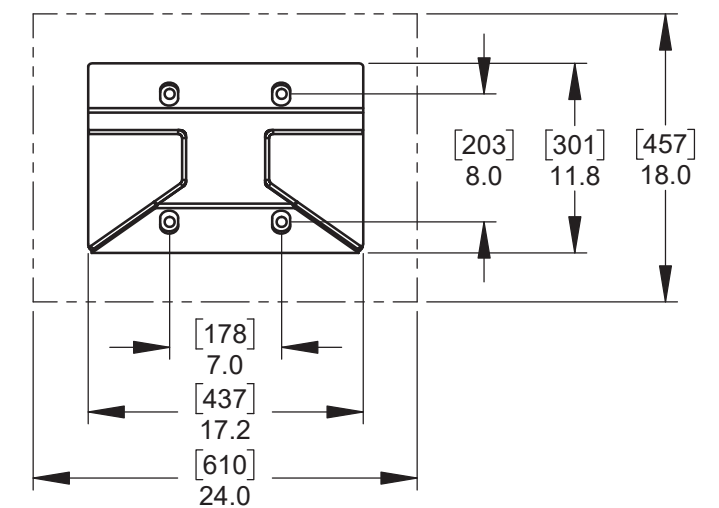
**DETAIL K - OPTIONAL STROBE LIGHT**



**DETAIL L - OPTIONAL FENCE MOUNT**



**NOTE:**  
CENTER CATCH PLATE MUST BE MOUNTED TO A SUITABLE ROADWAY SURFACE.  
IF THE ROADWAY IS NOT SUITABLE FOR ANCHORING, A 24.0" [610] x 18" [457] PAD MUST BE INSTALLED.  
CENTER CATCH PLATE IS SUPPLIED WITH 4 - 1/2" [13] x 5" [127] WEDGE ANCHORS.



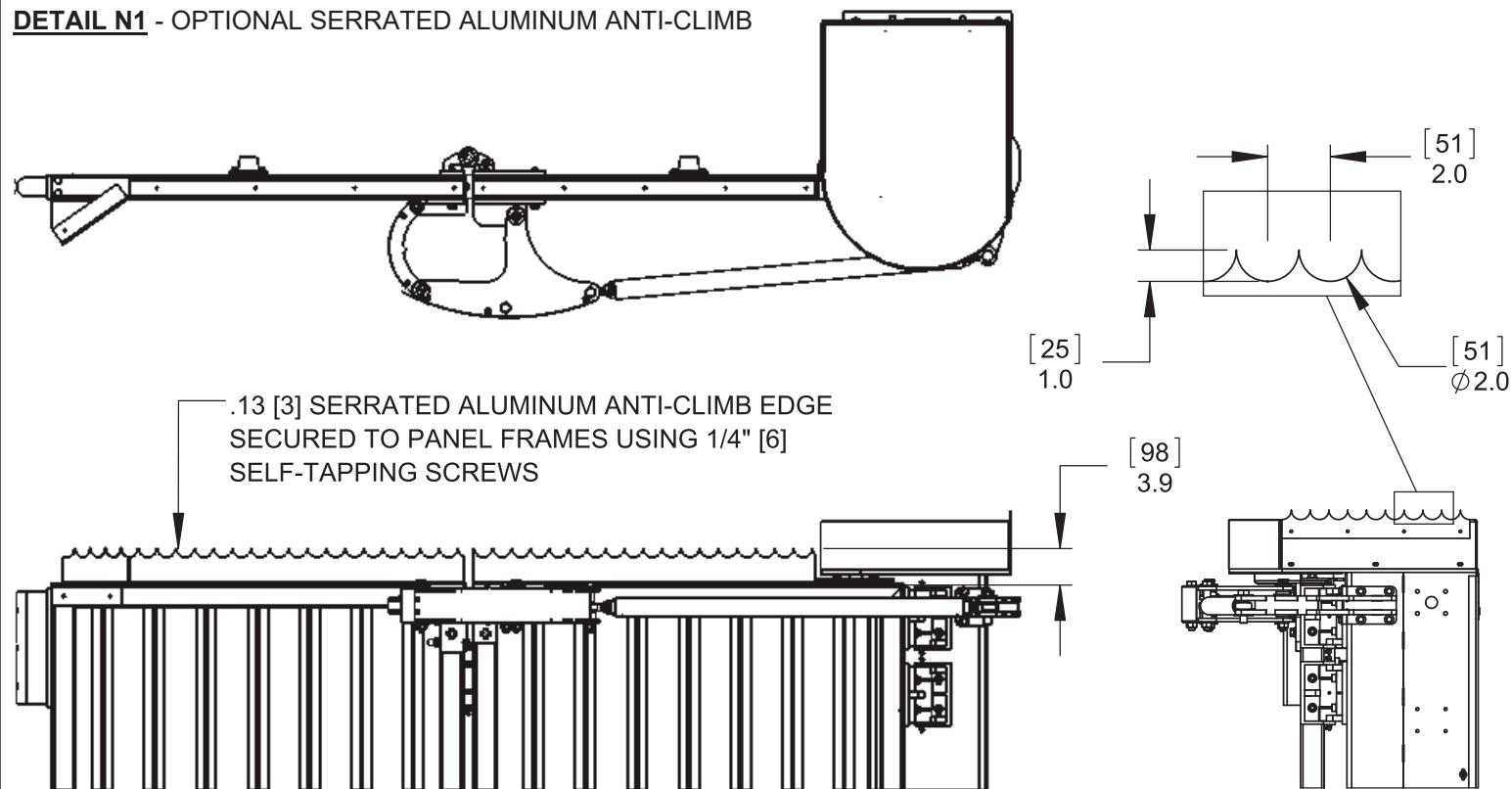
**DETAIL M - OPTIONAL CENTER CATCH PLATE**



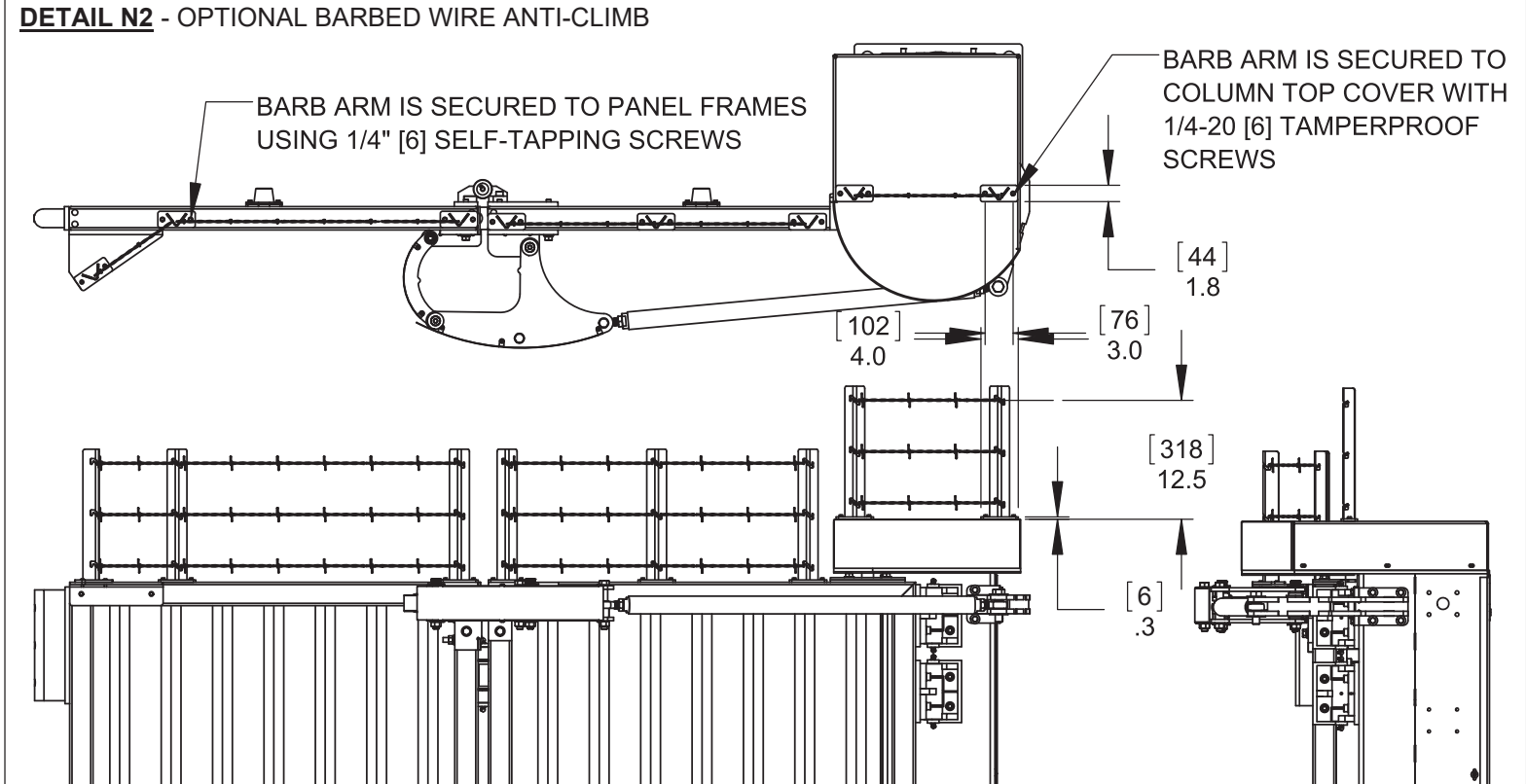
115 Lowson Crescent  
Winnipeg, Manitoba, Canada, R3P 1A6  
Phone: 1-866-300-1110  
Fax: 1-204-284-1868  
Web: www.wallaceperimetersecurity.com

Description:		<b>PDXT POST DRIVE TRACKLESS SPEEDGATE TRAFFIC / STROBE LIGHTS FENCE MOUNT / CENTER CATCH PINS</b>	
Customer:			
Finish:	SEE FINISH NOTES	Date:	6/9/2022
Drawing No.	<b>PDXT</b>	Rev.	Sheet: 5 of 6

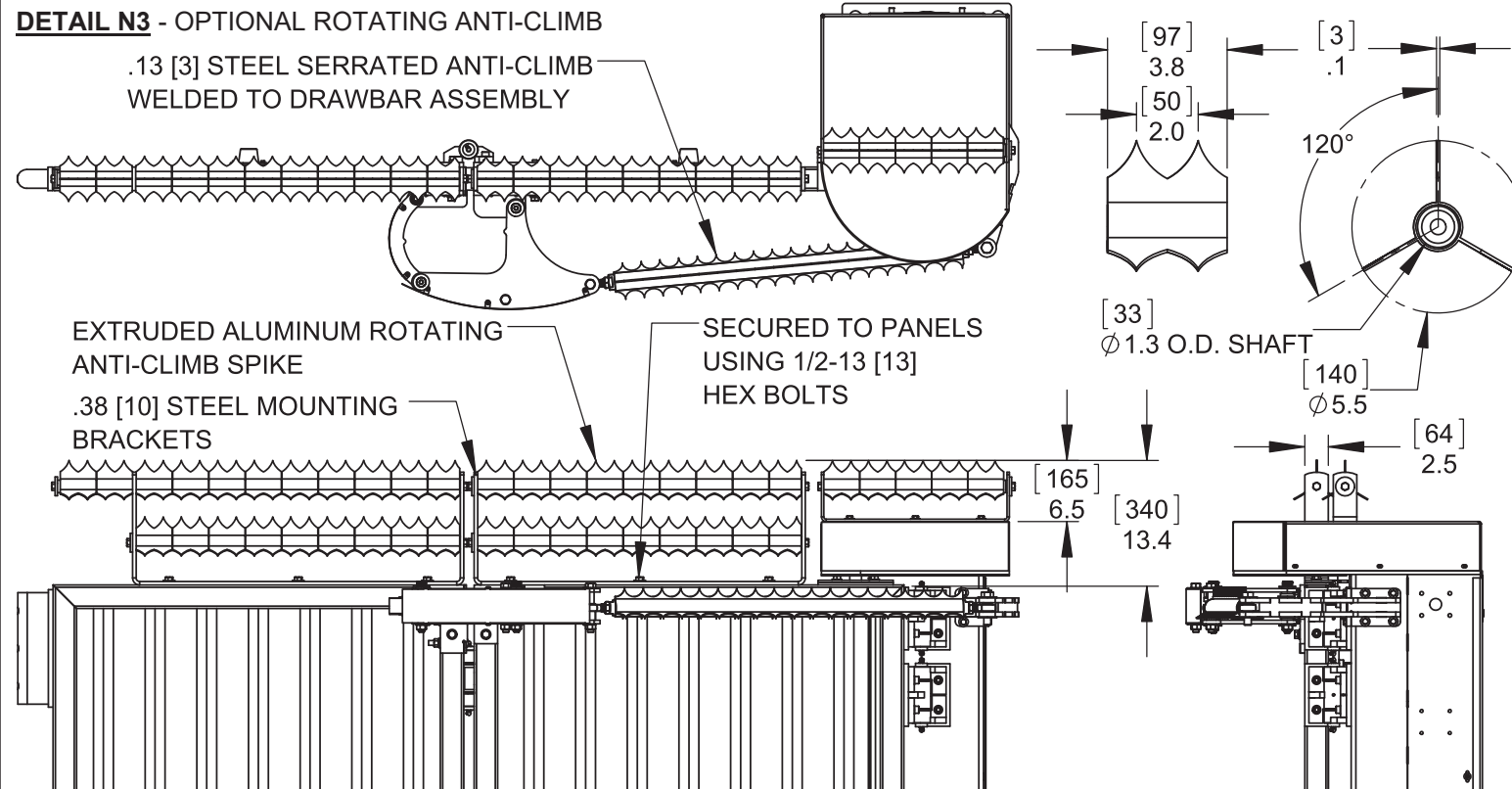
**DETAIL N1 - OPTIONAL SERRATED ALUMINUM ANTI-CLIMB**



**DETAIL N2 - OPTIONAL BARBED WIRE ANTI-CLIMB**



**DETAIL N3 - OPTIONAL ROTATING ANTI-CLIMB**



Description:  
**PDXT  
 POST DRIVE TRACLESS SPEEDGATE  
 ANTI-CLIMB OPTIONS**

Customer:

Finish:  
**SEE FINISH NOTES**

Date:  
**6/3/2022**

Drawing No.  
**PDXT**

Rev.

Sheet:  
**6 of 6**



115 Lowson Crescent  
 Winnipeg, Manitoba, Canada, R3P 1A6  
 Phone: 1-866-300-1110  
 Fax: 1-204-284-1868  
 Web: www.wallaceperimetersecurity.com