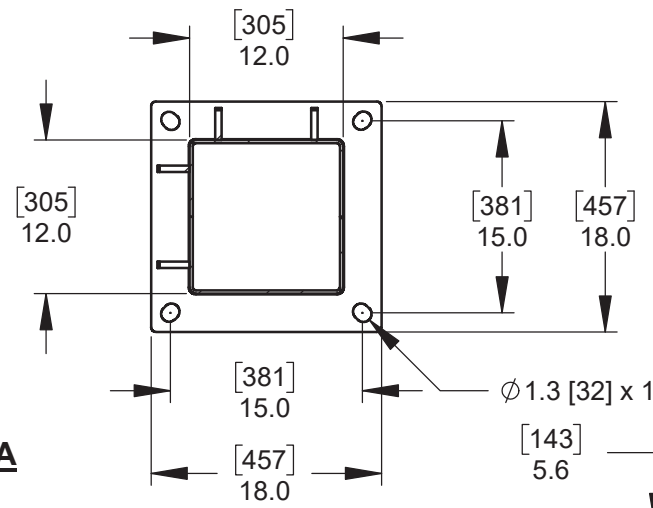
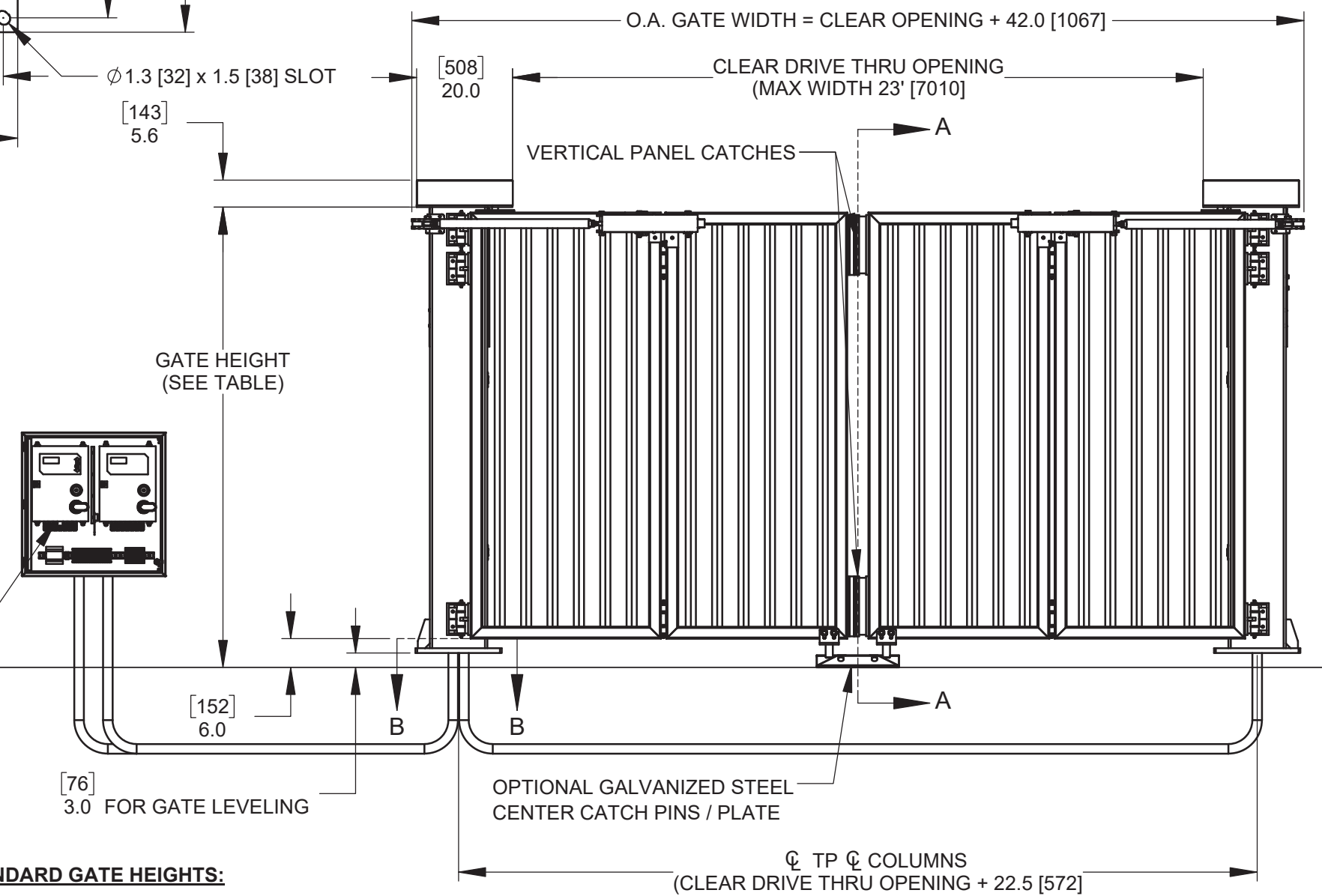
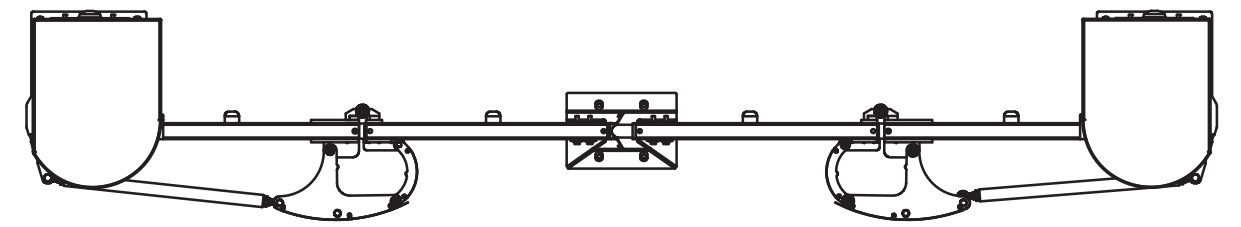
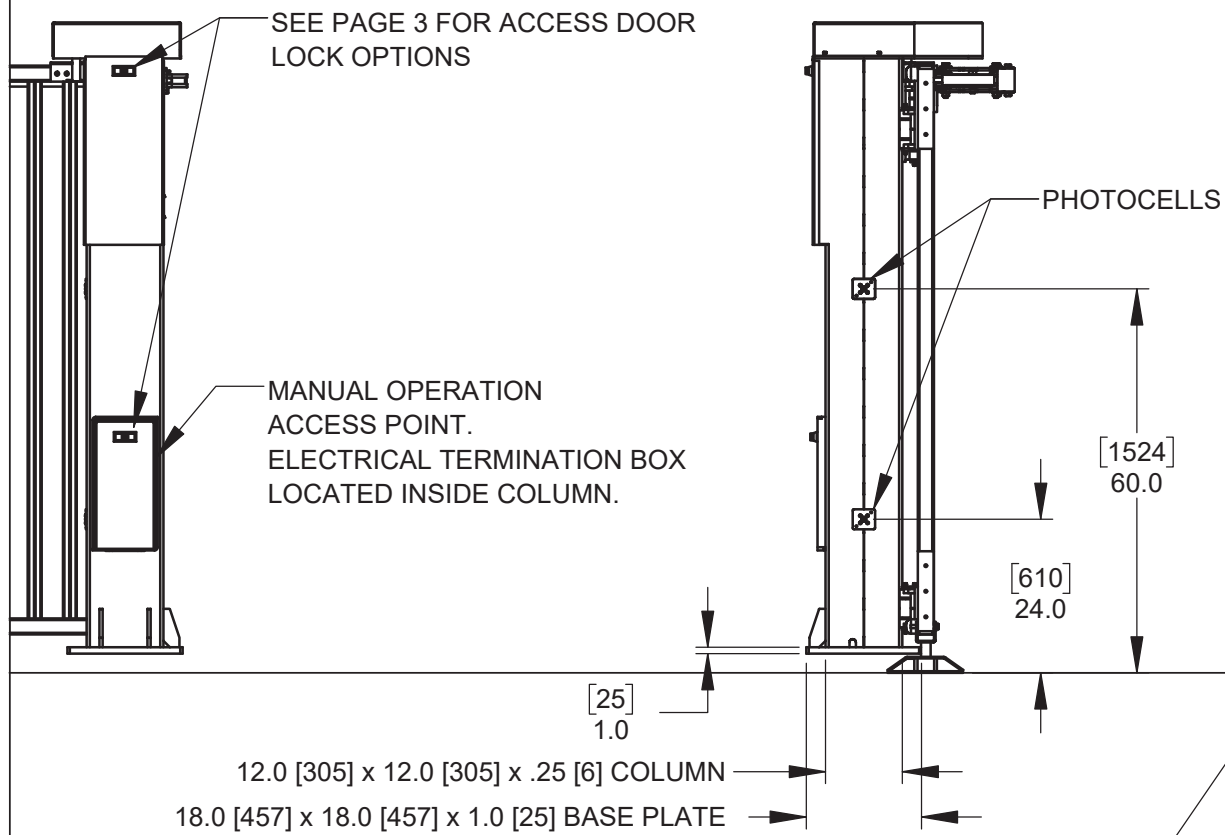


SECTION B-B - COLUMN BASE PLATE



SECTION A-A



2 ELECTRICAL CONTROLLERS MOUNTED IN A 30.0" [762] x 30.0" [762] x 12.0" [305] NEMA 3R ENCLOSURE c/w WIRE HARNESS. STANDARD WIRE HARNESS LENGTH ALLOWS FOR CONTROLLER TO BE PLACED UP TO 30' [9.1M] FROM PRIMARY COLUMN. (COLUMN LOCATED CLOSEST TO ENCLOSURE) OPTIONAL EXTENDED WIRE HARNESS IS AVAILABLE WHERE CONTROLLERS ARE TO BE MOUNTED BEYOND STANDARD WIRE HARNESS LENGTH. MAX. HARNESS LENGTH IS DETERMINED BY CLEAR OPENING WIDTH. ENCLOSURE, CONTROLLERS AND WIRE HARNESS BY WALLACE PERIMETER SECURITY, CONDUIT BY OTHERS. SEE DETAIL A ON PAGE 2 FOR CONDUIT SIZES AND QUANTITIES. **POWER REQUIREMENTS: 240V, SINGLE PHASE, 20A**

FINISH NOTES:
STANDARD FINISH: HOT DIPPED GALVANIZED
OPTIONAL POWDER COAT PAINT FINISH AVAILABLE

DIMENSIONS ARE SHOWN IN INCHES, DIMENSIONS IN [] ARE IN MILLIMETERS

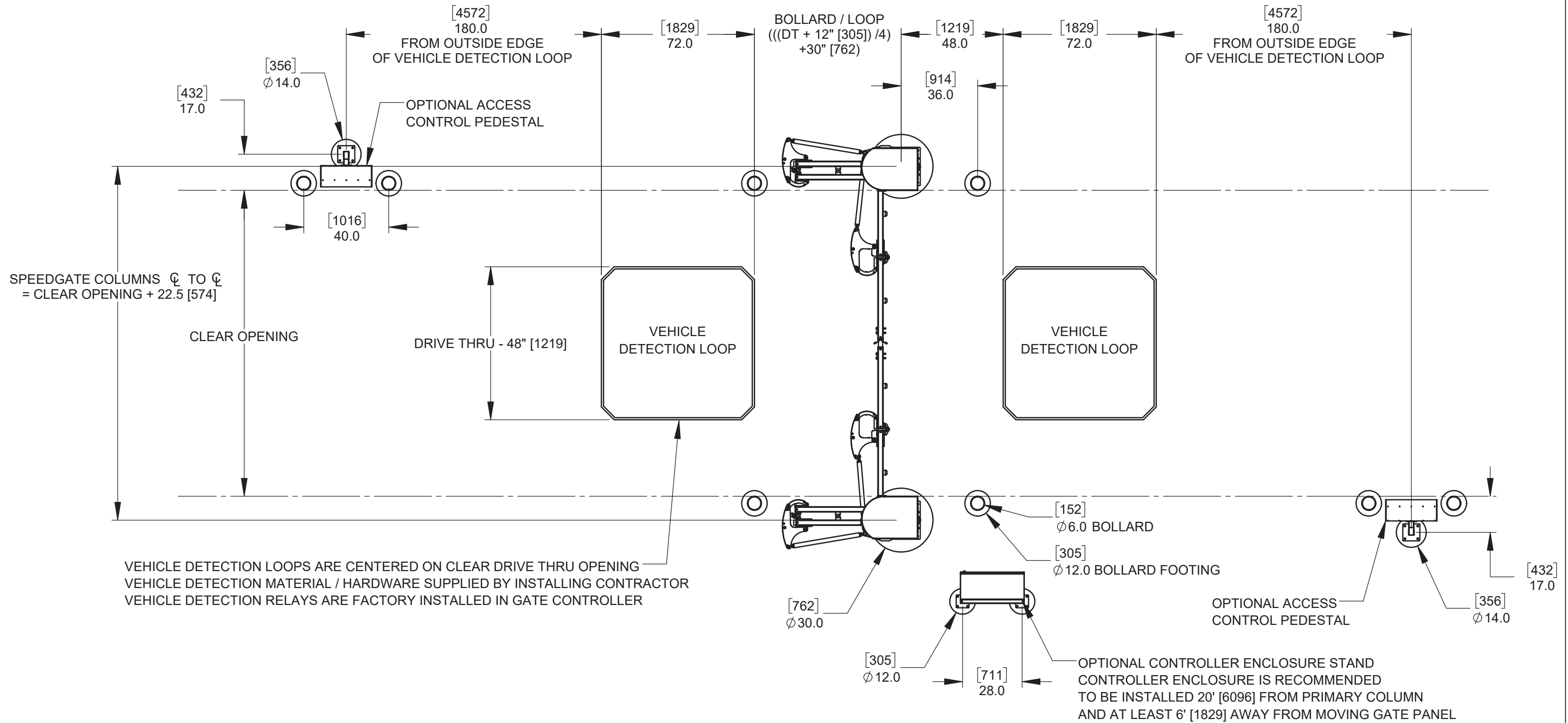
STANDARD GATE HEIGHTS:

6' [1.8M]	72.0" [1829]
7' [2.1M]	84.0" [2134]
8' [2.4M]	96.0" [2438]
9' [2.7M]	108" [2743]
10' [3.0M]	120.0" [3048]



115 Lowson Crescent
Winnipeg, Manitoba, Canada, R3P 1A6
Phone: 1-866-300-1110
Fax: 1-204-284-1868
Web: www.wallaceperimetersecurity.com

Description: PDXT POST DRIVE TRACKELSS SPEEDGATE STANDARD DIMENSIONS / NOTES		
Customer:		
Finish: SEE FINISH NOTES	Date: 6/3/2022	
Drawing No. PDXT	Rev.	Sheet: 1 of 6



NOTE:
 BOLLARD LOCATIONS ARE SUPPLIED AS A REFERENCE ONLY.
 ALL FINAL MATERIALS AND DIMENSIONS ARE SUPPLIED AND INSTALLED BY OTHERS.

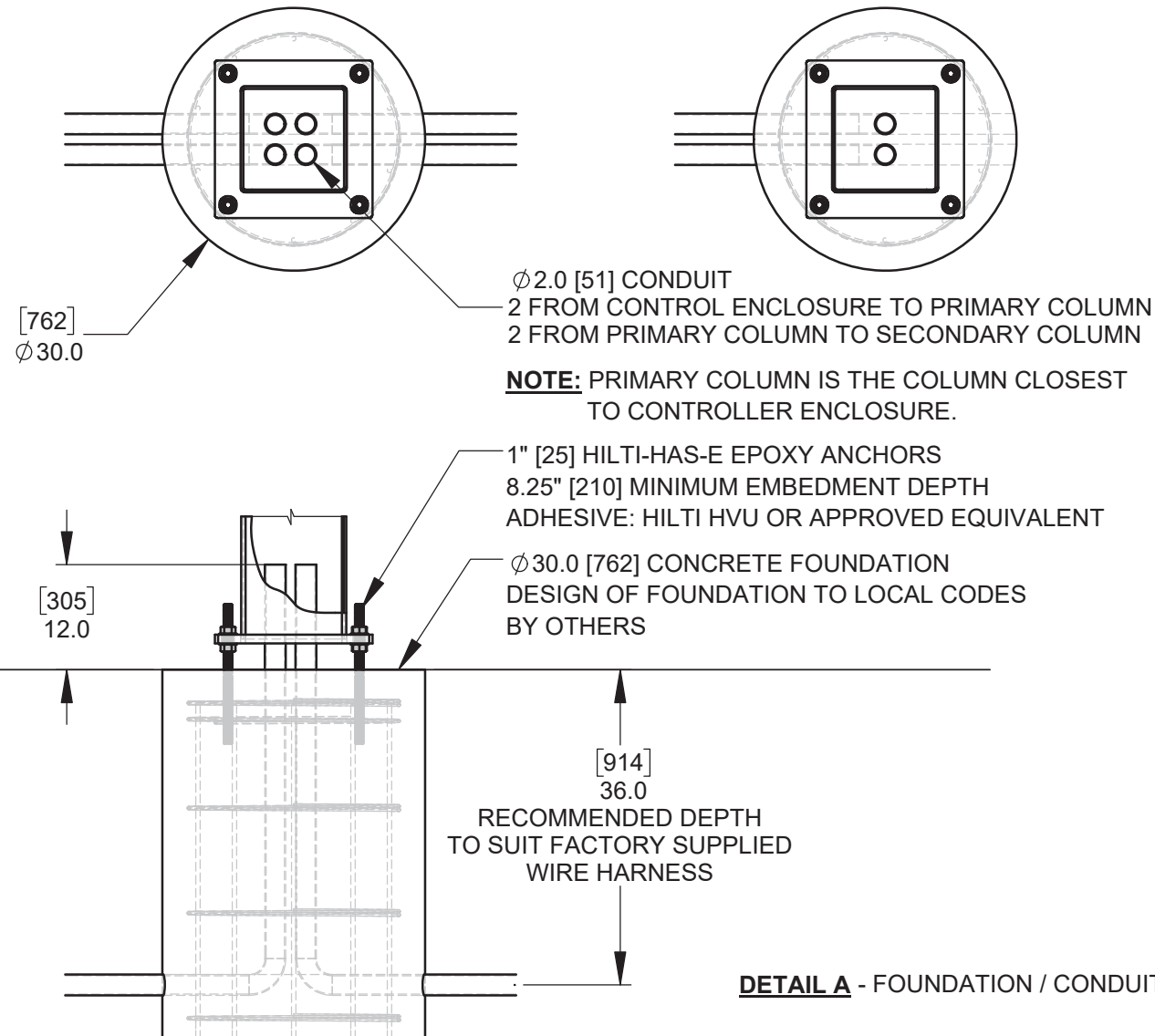


115 Lowson Crescent
 Winnipeg, Manitoba, Canada, R3P 1A6
 Phone: 1-866-300-1110
 Fax: 1-204-284-1868
 Web: www.wallaceperimetersecurity.com

Description:		PDXT POST DRIVE TRACKLESS SPEEDGATE PLAN VIEW	
Customer:			
Finish:	SEE FINISH NOTES	Date:	6/9/2022
Drawing No.	PDXT	Rev.	Sheet: 2 of 6

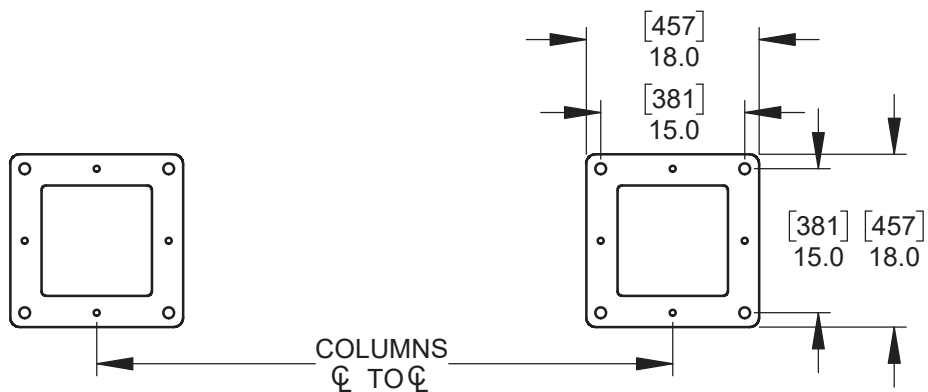
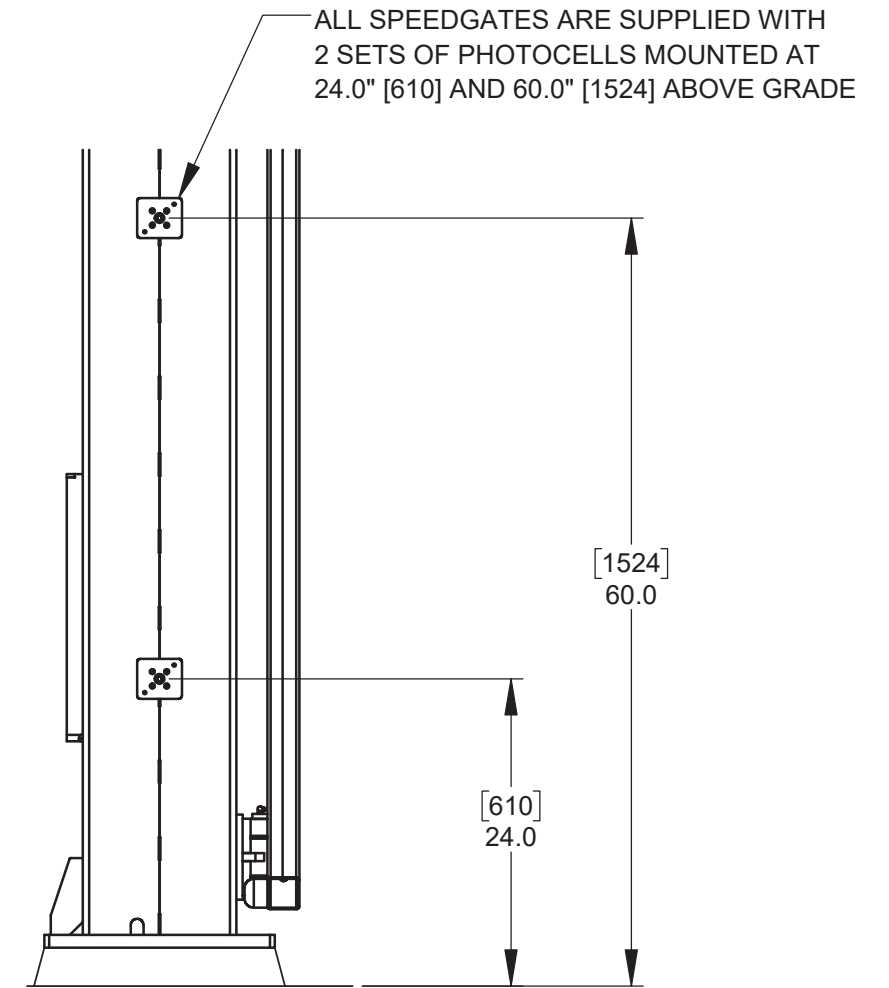
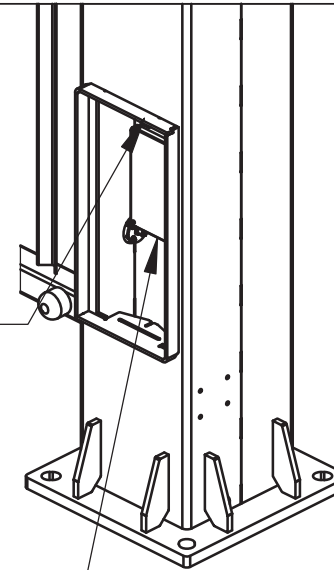
PRIMARY COLUMN

SECONDARY COLUMN



MANUAL OPERATION ACCESS POINTS ARE LOCATED INSIDE LOWER COLUMN ACCESS DOORS. GATE IS MANUALLY OPERATED BY ENGAGING THE BRAKE DISCONNECT CABLES INSIDE OF THE COLUMN

COLUMN ELECTRICAL TERMINATION BOX IS LOCATED INSIDE LOWER ACCESS DOOR OF PRIMARY COLUMN. PRIMARY COLUMN IS THE COLUMN LOCATED CLOSEST TO THE CONTROLLER ENCLOSURE

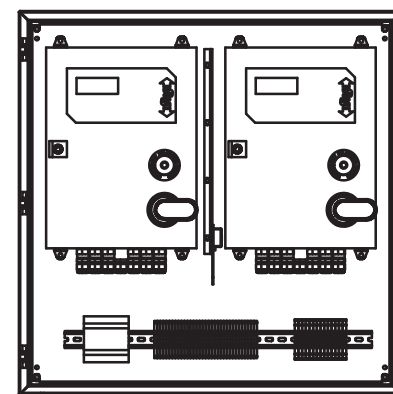


OPTIONAL ANCHOR TEMPLATE KIT:

- 2, .13" [3] STEEL ANCHOR TEMPLATES FOR FIELD CONSTRUCTION OF ANCHOR DRILLING TEMPLATE.

OPTIONAL ANCHOR BOLT KIT:

- 8, 1" [25] HILTI HAS-E-16 EPOXY ANCHORS
- 8, HILTI HVU ADHESIVE CAPSULES



OPTIONAL HOT WEATHER KIT INCLUDES:

EXHAUST FAN, VENT GRILLES, RAIN SHROUDS AND THERMOSTAT.

OPTIONAL COLD WEATHER KIT INCLUDES:

320 WATT SELF-REGULATING HEATER, THERMAL COVER.

NOTE:

THERMAL COVER IS ONLY AVAILABLE IF CONTROLLER ENCLOSURE IS FREE STANDING.

NOTES:

INCLUDED WITH SPEEDGATE:

- 2, ELECTRONIC GATE CONTROLLERS IN A 30" [762] x 30" [762] x 12" [305] NEMA 3R ENCLOSURE
- STANDARD ELECTRICAL WIRING HARNESS WHICH ALLOWS CONTROL ENCLOSURE TO BE MOUNTED UP TO 30' [9.1M] FROM PRIMARY COLUMN. OPTIONAL EXTENDED WIRING HARNESS AVAILABLE.
- KEY(S) AND LOCK(S) FOR ALL ACCESS PANELS, SEE SHEET 3 FOR LOCK OPTIONS.

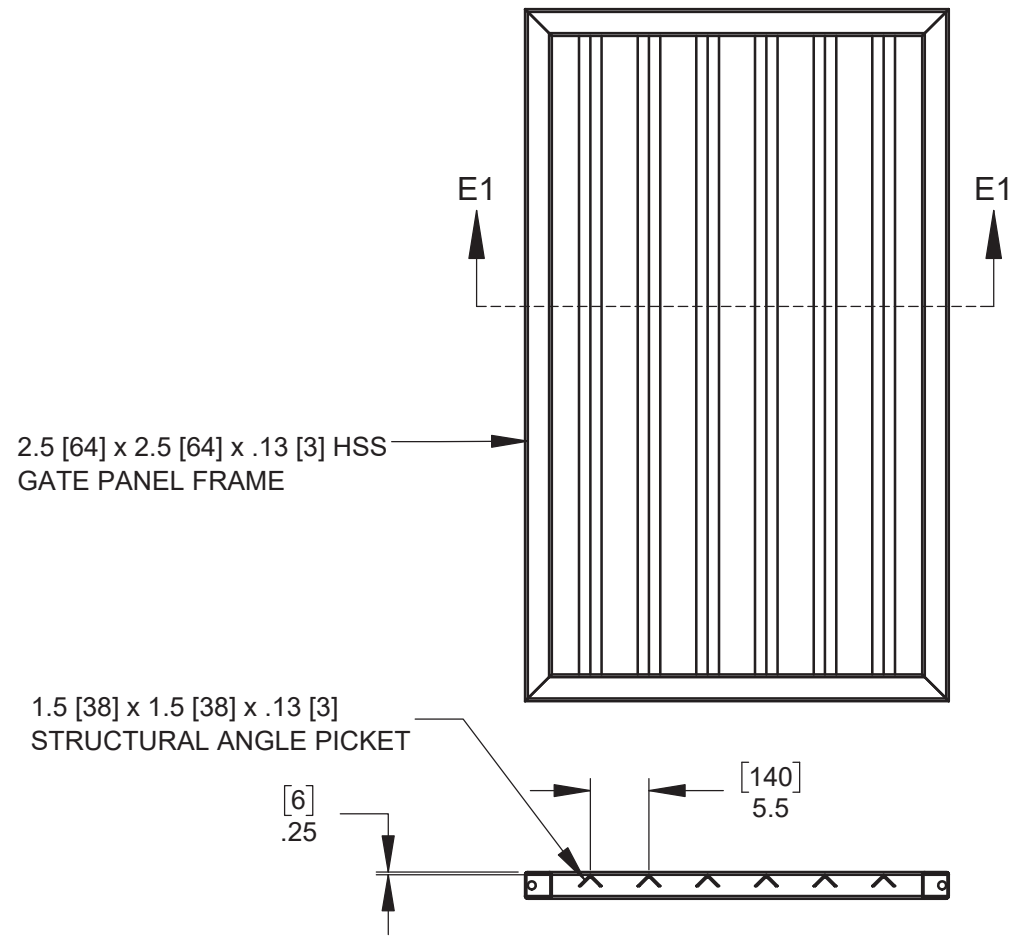
NOT INCLUDED WITH SPEEDGATE:

- GATE MOUNTING HARDWARE, OPTIONAL ANCHOR BOLT \ ANCHOR TEMPLATE KITS AVAILABLE.
- VEHICLE DETECTION LOOPS
- GROUT TO FILL GAP UNDER COLUMN BASE PLATES WHEN GATE LEVELING IS COMPLETE.

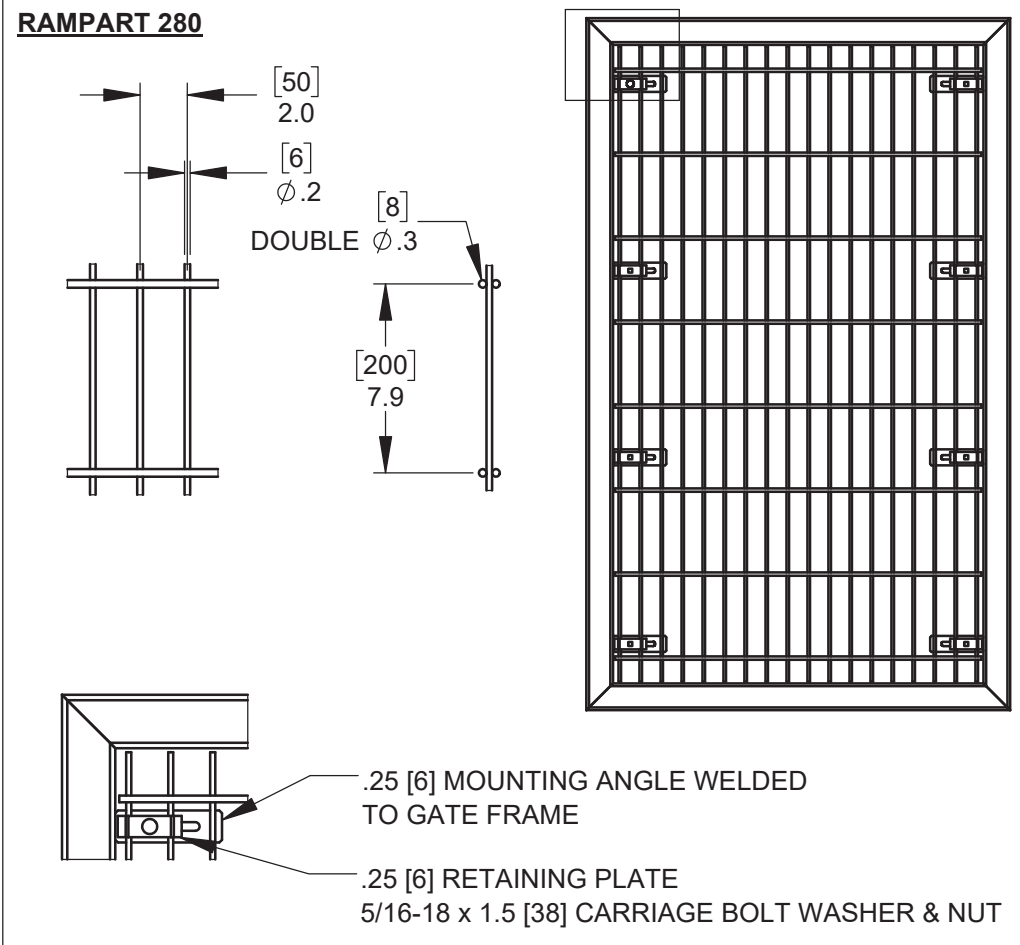


115 Lowson Crescent
Winnipeg, Manitoba, Canada, R3P 1A6
Phone: 1-866-300-1110
Fax: 1-204-284-1868
Web: www.wallaceperimetersecurity.com

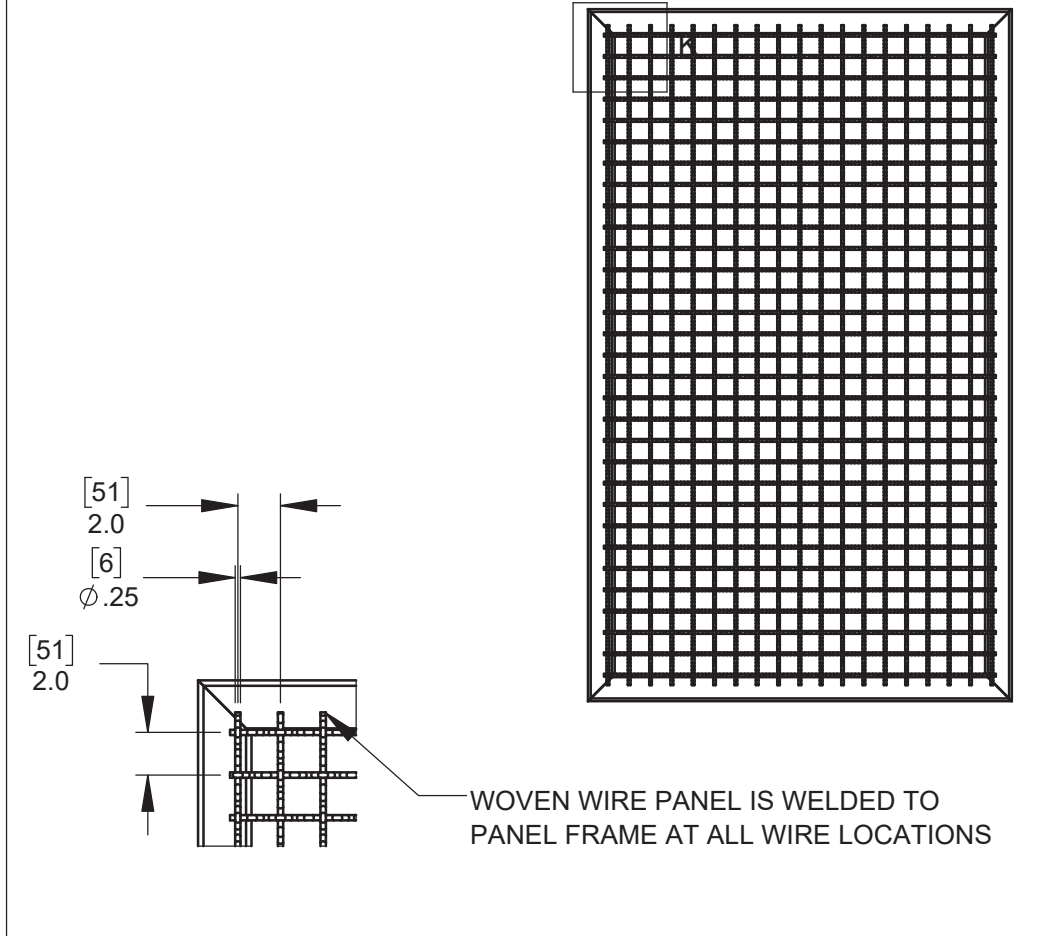
Description:		PDXT POST DRIVE TRACKLESS SPEEDGATE STANDARD NOTES AND OPTIONS	
Customer:			
Finish:	SEE FINISH NOTES	Date:	6/9/2022
Drawing No.	PDXT	Rev.	
		Sheet:	3 of 6



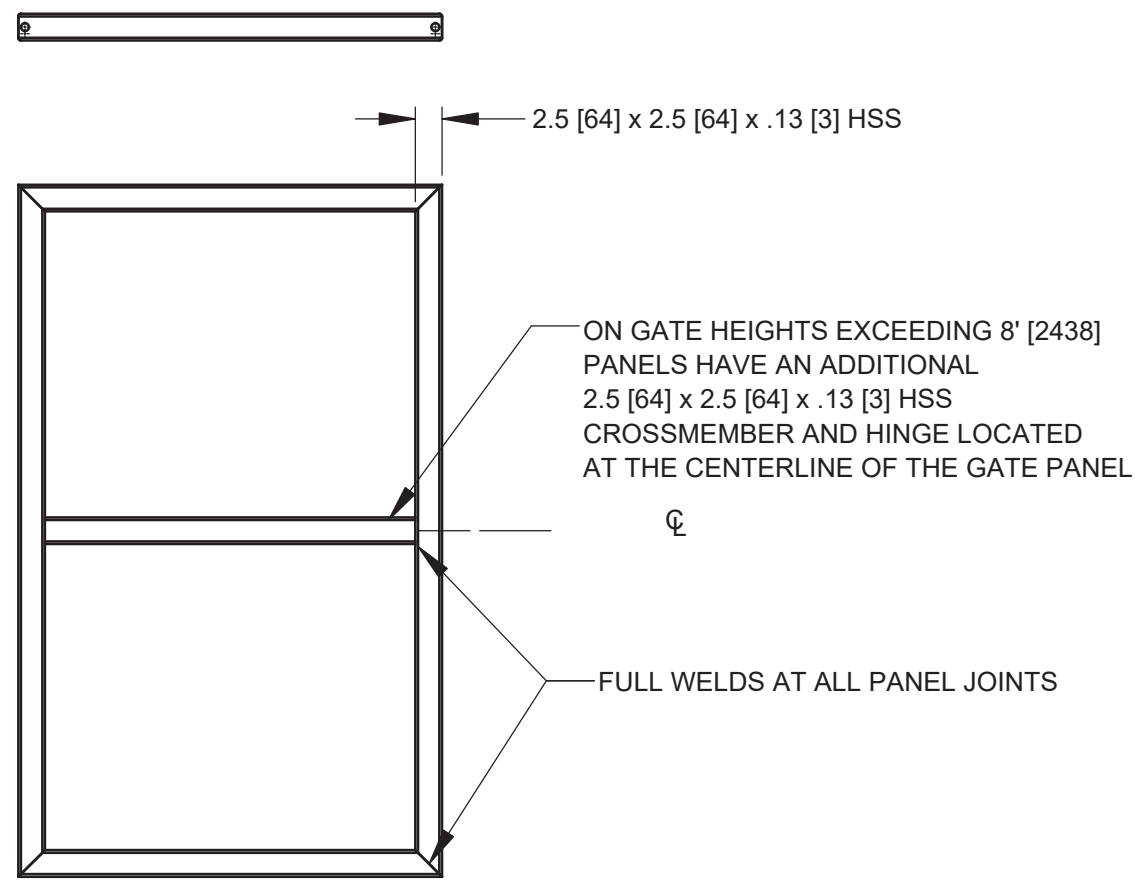
DETAIL F1 - STANDARD VERTICAL PICKET INFILL



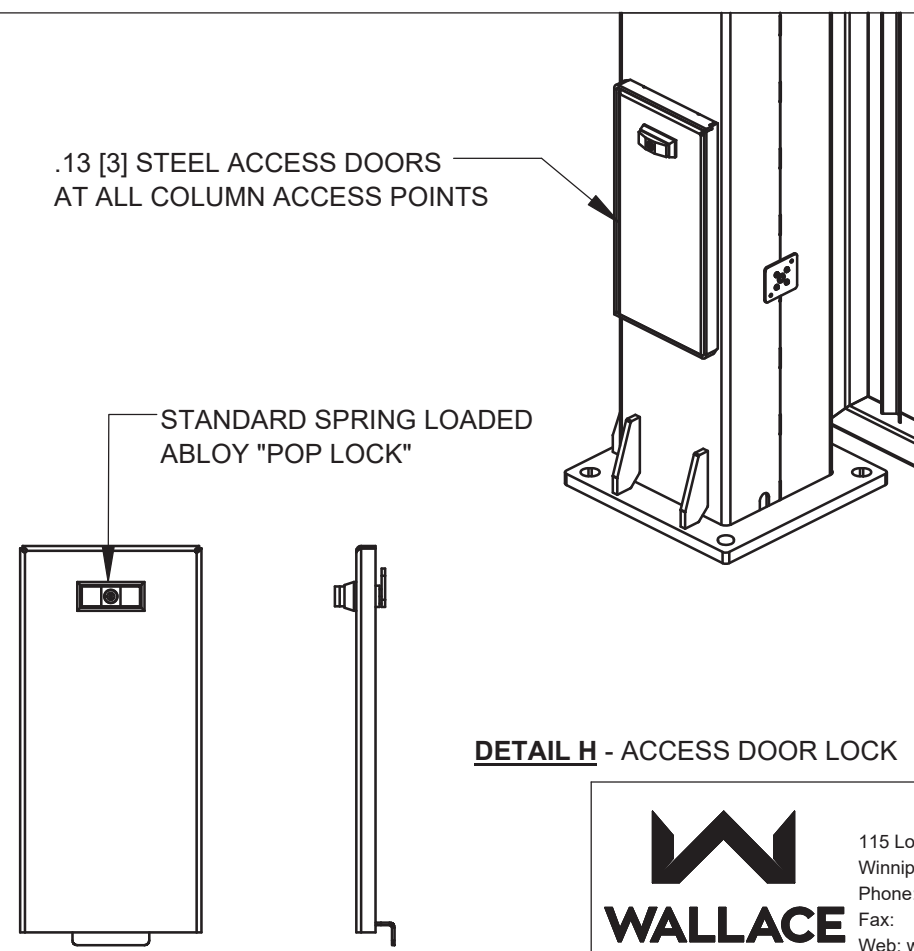
DETAIL F2 - OPTIONAL RAMPART 280 WELDED WIRE INFILL



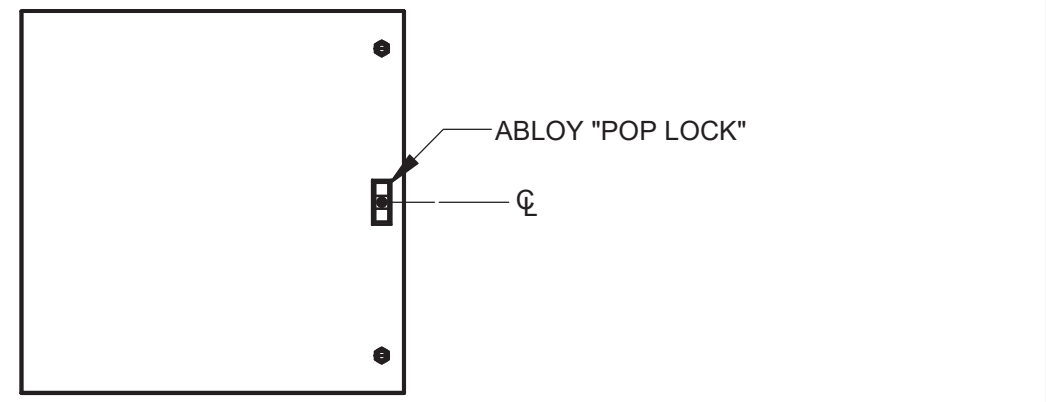
DETAIL F3 - OPTIONAL 2" [51] x 2" [51] x Ø.25 [6] WOVEN WIRE INFILL



DETAIL G - GATE PANEL CONSTRUCTION



DETAIL H - ACCESS DOOR LOCK



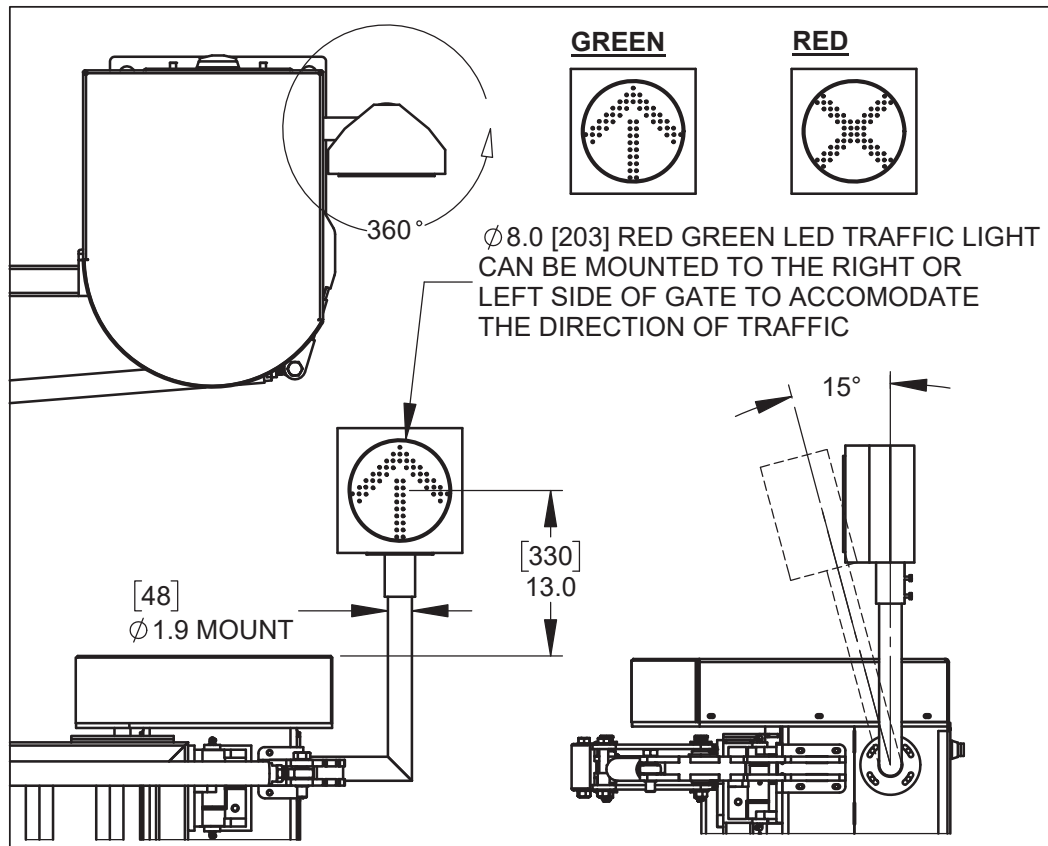
STANDARD - ABLOY "POP LOCK" KEYED TO MATCH COLUMN ACCESS DOORS

DETAIL I - CONTROLLER ENCLOSURE LOCK

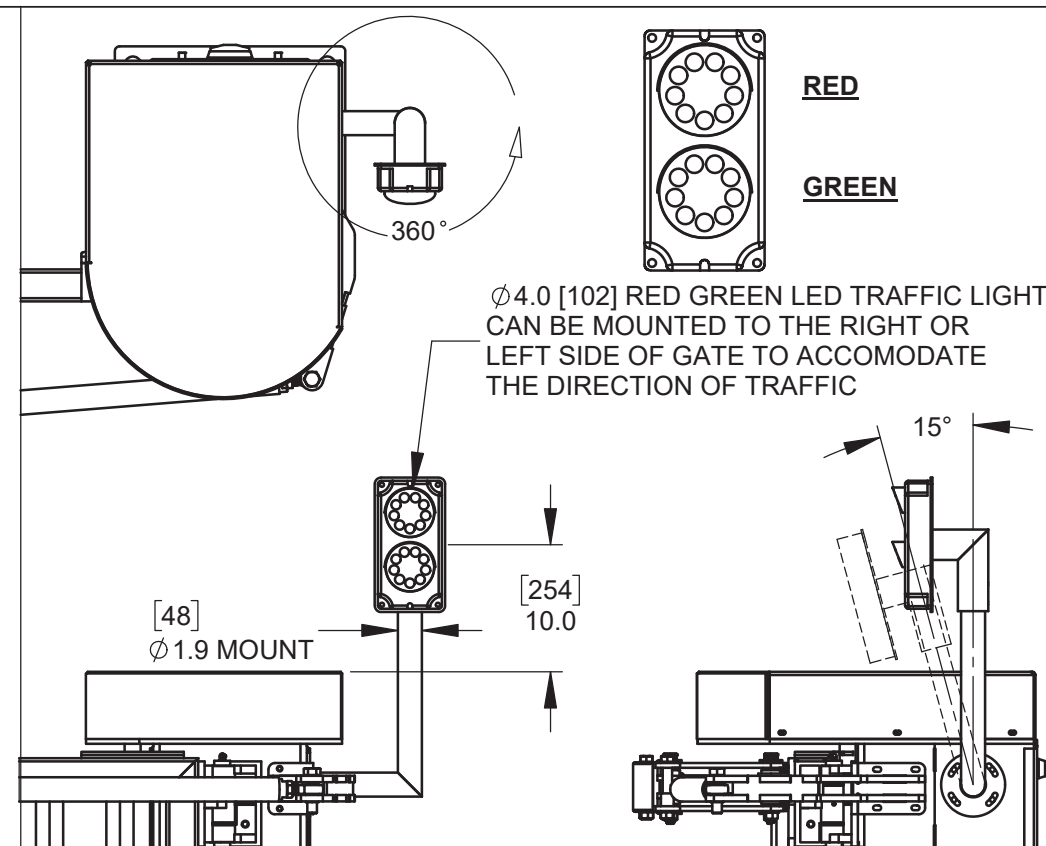
WALLACE
PERIMETER SECURITY

115 Lowson Crescent
Winnipeg, Manitoba, Canada, R3P 1A6
Phone: 1-866-300-1110
Fax: 1-204-284-1868
Web: www.wallaceperimetersecurity.com

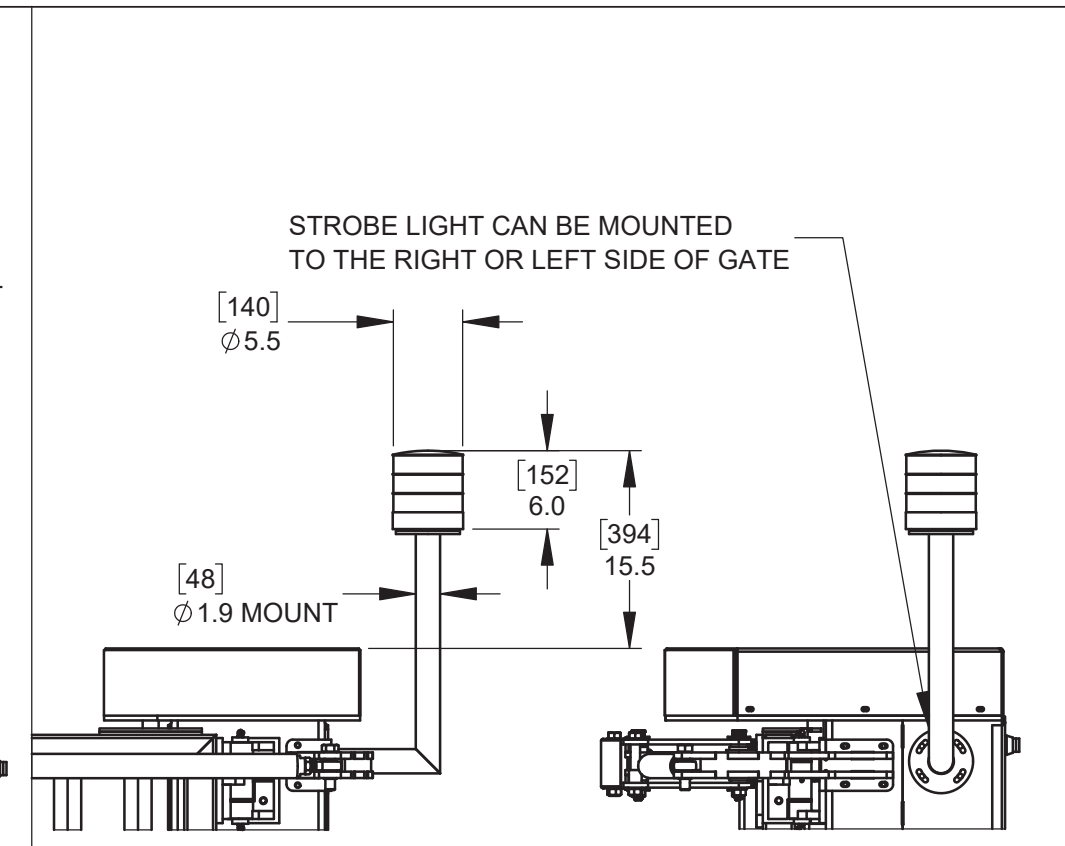
Description:		PDXT POST DRIVE TRACKLESS SPEEDAGTE PANEL INFILL / LOCK OPTIONS	
Customer:			
Finish:	SEE FINISH NOTES	Date:	6/9/2022
Drawing No.	PDXT	Rev.	
		Sheet:	4 of 6



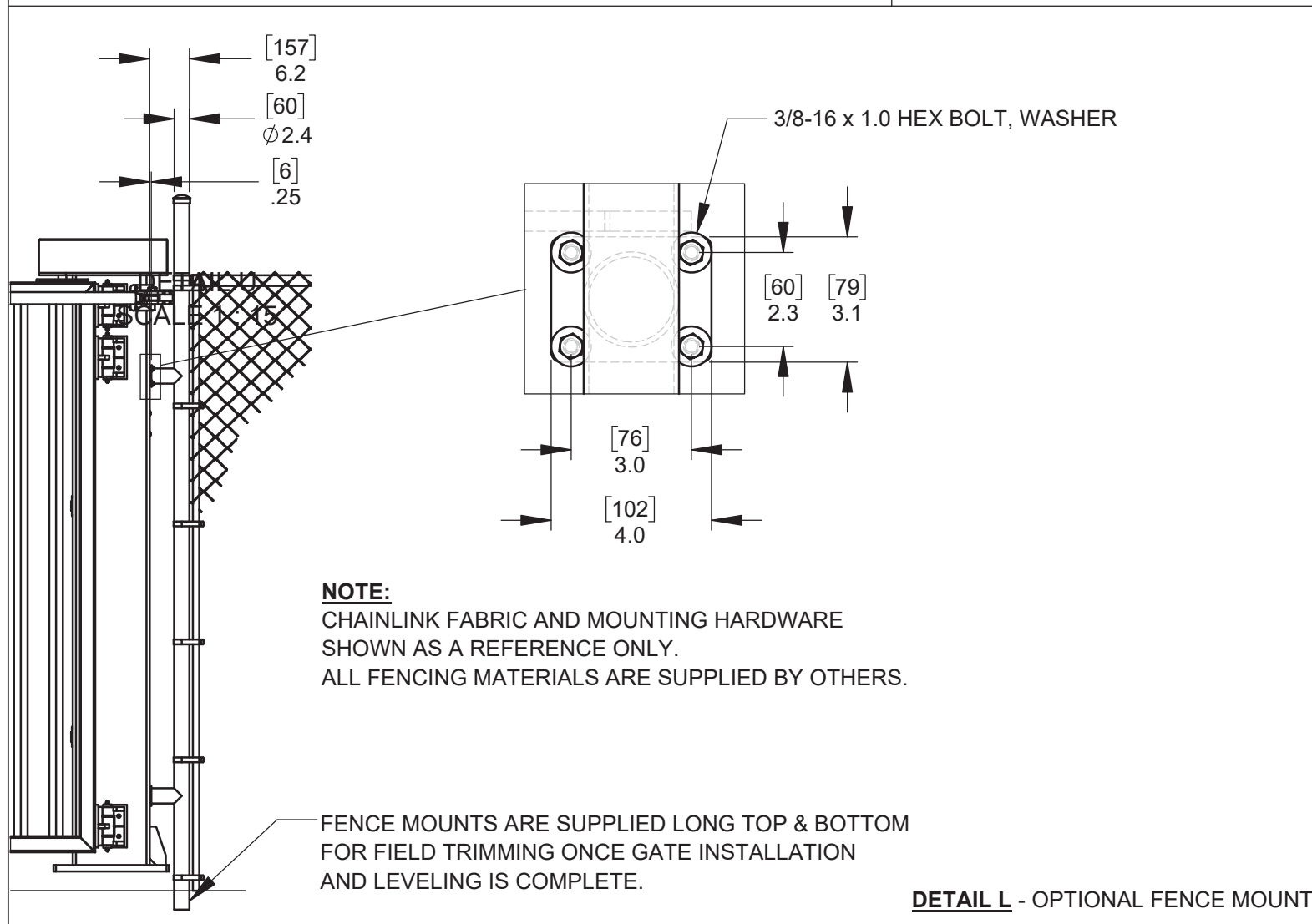
DETAIL J-1 - OPTIONAL 8" [203] RED / GREEN LED TRAFFIC LIGHT



DETAIL J-2 - OPTIONAL 4" [102] RED / GREEN LED TRAFFIC LIGHT



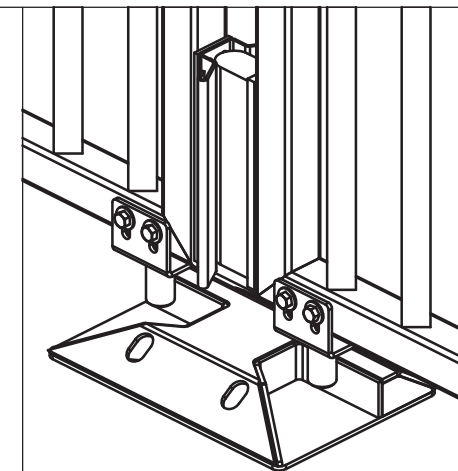
DETAIL K - OPTIONAL STROBE LIGHT



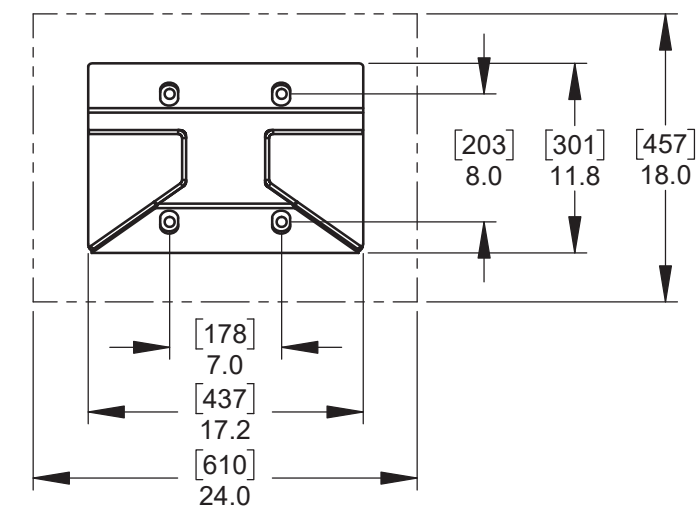
NOTE:
CHAINLINK FABRIC AND MOUNTING HARDWARE SHOWN AS A REFERENCE ONLY.
ALL FENCING MATERIALS ARE SUPPLIED BY OTHERS.

FENCE MOUNTS ARE SUPPLIED LONG TOP & BOTTOM FOR FIELD TRIMMING ONCE GATE INSTALLATION AND LEVELING IS COMPLETE.

DETAIL L - OPTIONAL FENCE MOUNT



NOTE:
CENTER CATCH PLATE MUST BE MOUNTED TO A SUITABLE ROADWAY SURFACE.
IF THE ROADWAY IS NOT SUITABLE FOR ANCHORING, A 24.0" [610] x 18" [457] PAD MUST BE INSTALLED.
CENTER CATCH PLATE IS SUPPLIED WITH 4 - 1/2" [13] x 5" [127] WEDGE ANCHORS.



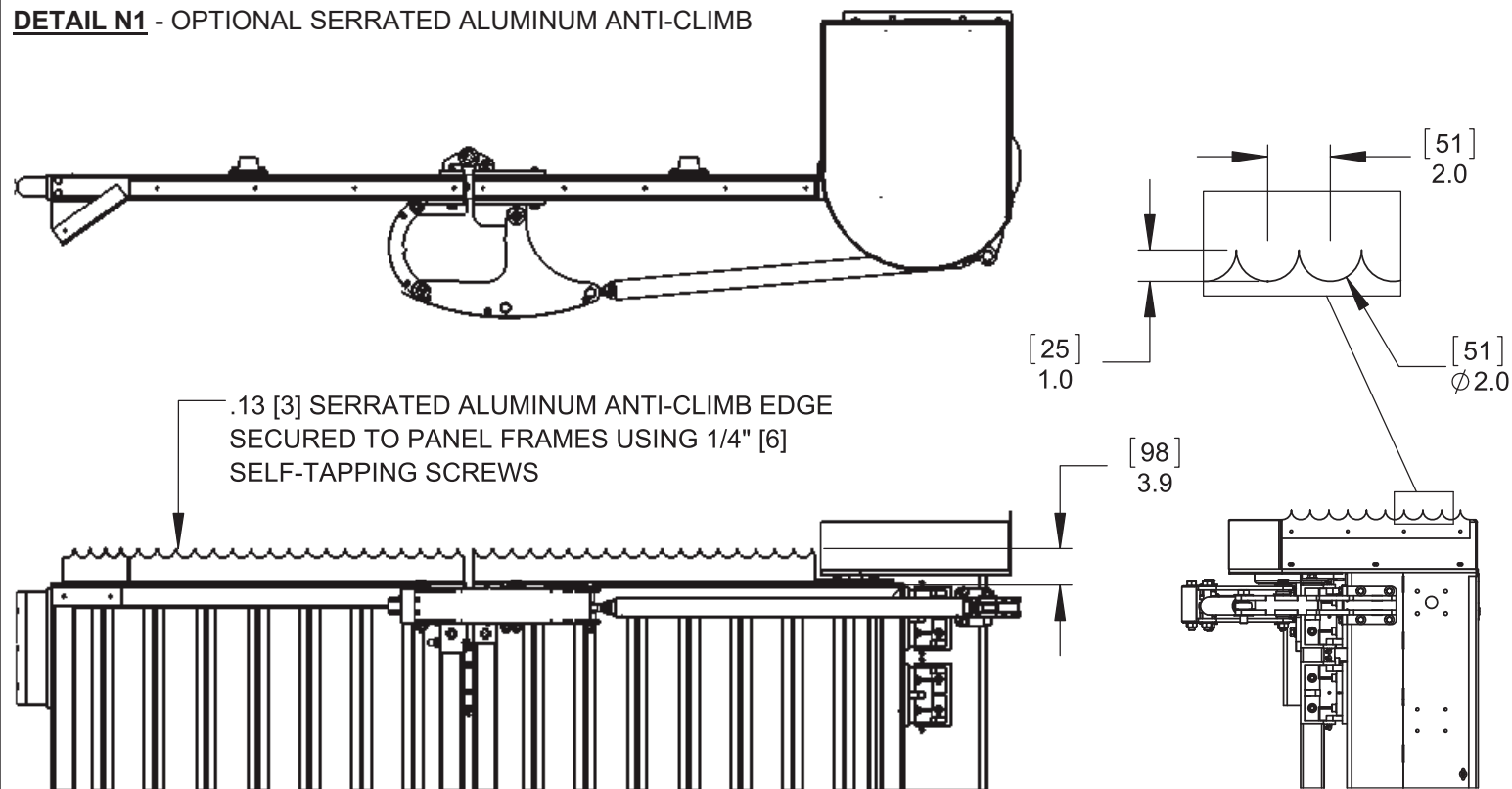
DETAIL M - OPTIONAL CENTER CATCH PLATE



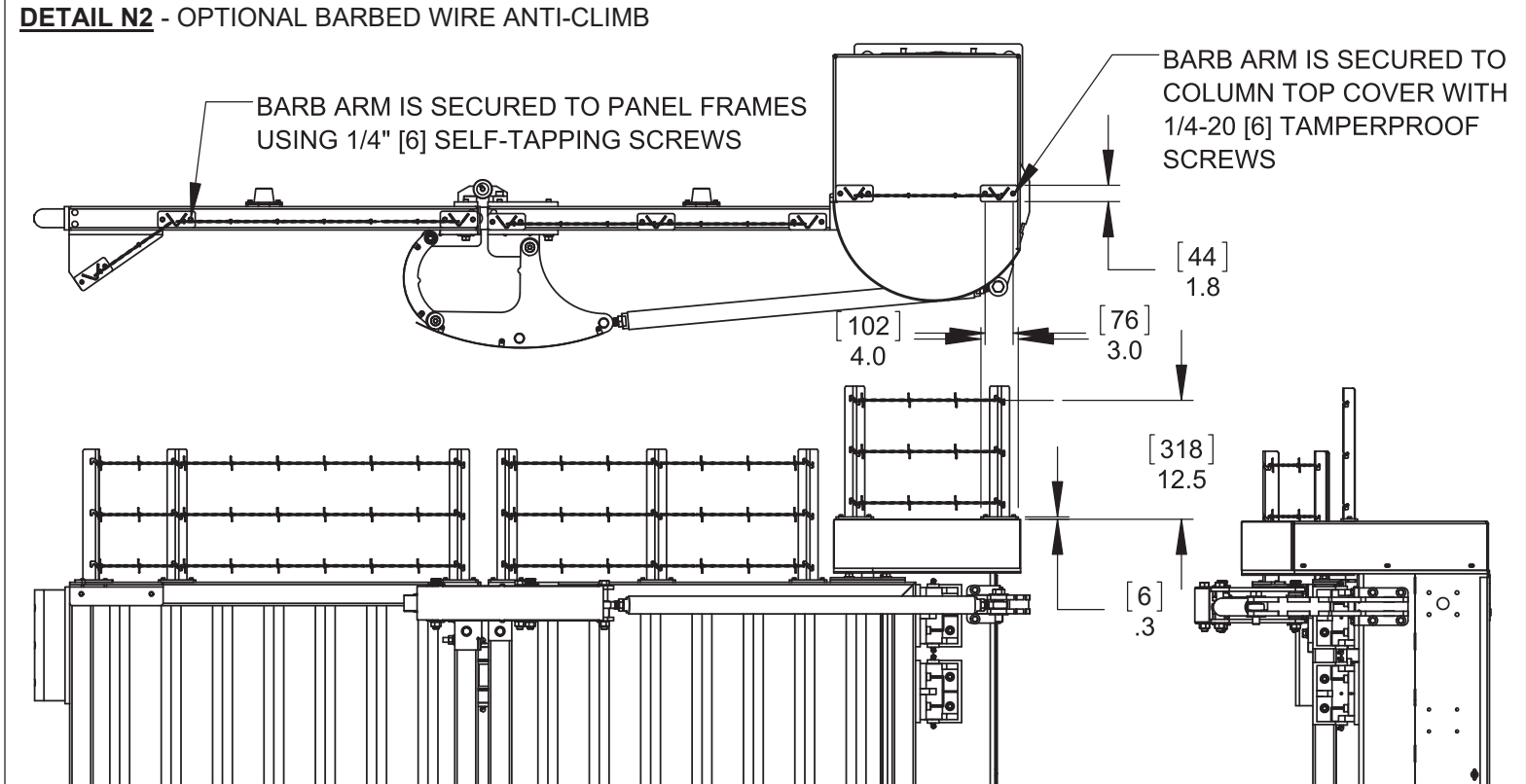
115 Lowson Crescent
Winnipeg, Manitoba, Canada, R3P 1A6
Phone: 1-866-300-1110
Fax: 1-204-284-1868
Web: www.wallaceperimetersecurity.com

Description:	
PDXT POST DRIVE TRACKLESS SPEEDGATE TRAFFIC / STROBE LIGHTS FENCE MOUNT / CENTER CATCH PINS	
Customer:	
Finish:	Date:
SEE FINISH NOTES	6/9/2022
Drawing No.	Rev.
PDXT	5 of 6

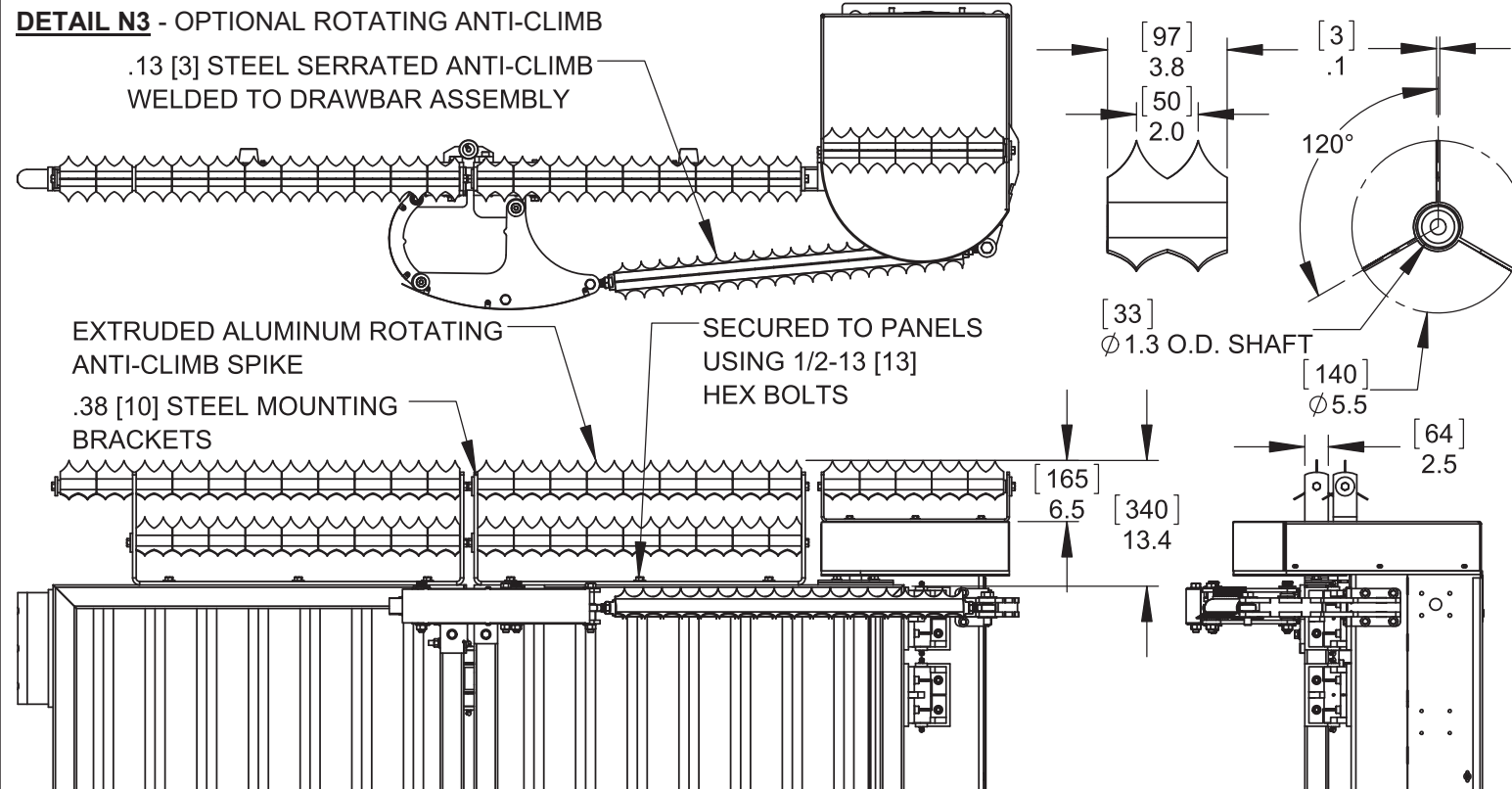
DETAIL N1 - OPTIONAL SERRATED ALUMINUM ANTI-CLIMB



DETAIL N2 - OPTIONAL BARBED WIRE ANTI-CLIMB



DETAIL N3 - OPTIONAL ROTATING ANTI-CLIMB



Description:
**PDXT
 POST DRIVE TRACLESS SPEEDGATE
 ANTI-CLIMB OPTIONS**

Customer:

Finish:
SEE FINISH NOTES

Date:
6/3/2022

Drawing No.
PDXT

Rev.

Sheet:
6 of 6

115 Lawson Crescent
 Winnipeg, Manitoba, Canada, R3P 1A6
 Phone: 1-866-300-1110
 Fax: 1-204-284-1868
 Web: www.wallaceperimetersecurity.com