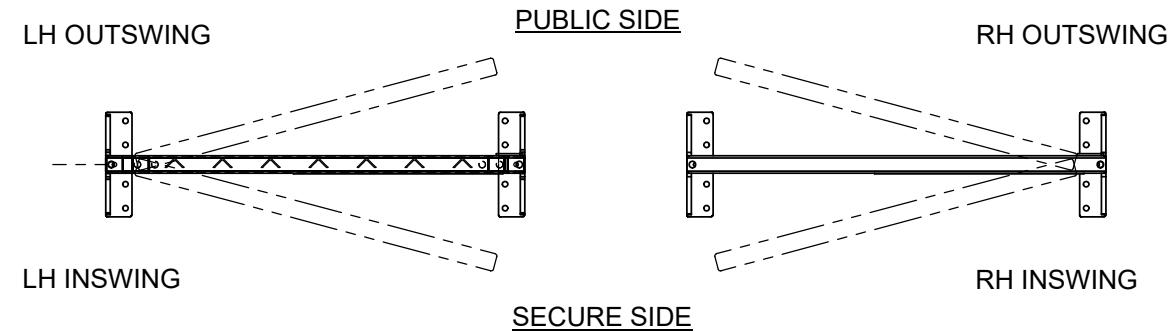


REFER TO DOOR SWING SELECTION



DOOR SWING SELECTION

OUTER FRAME OPTIONS

- 2.0 [51] x 2.0 [51] x .13 [3] HSS (STANDARD)
- 4.0 [102] x 4.0 [102] x .13 [3] HSS

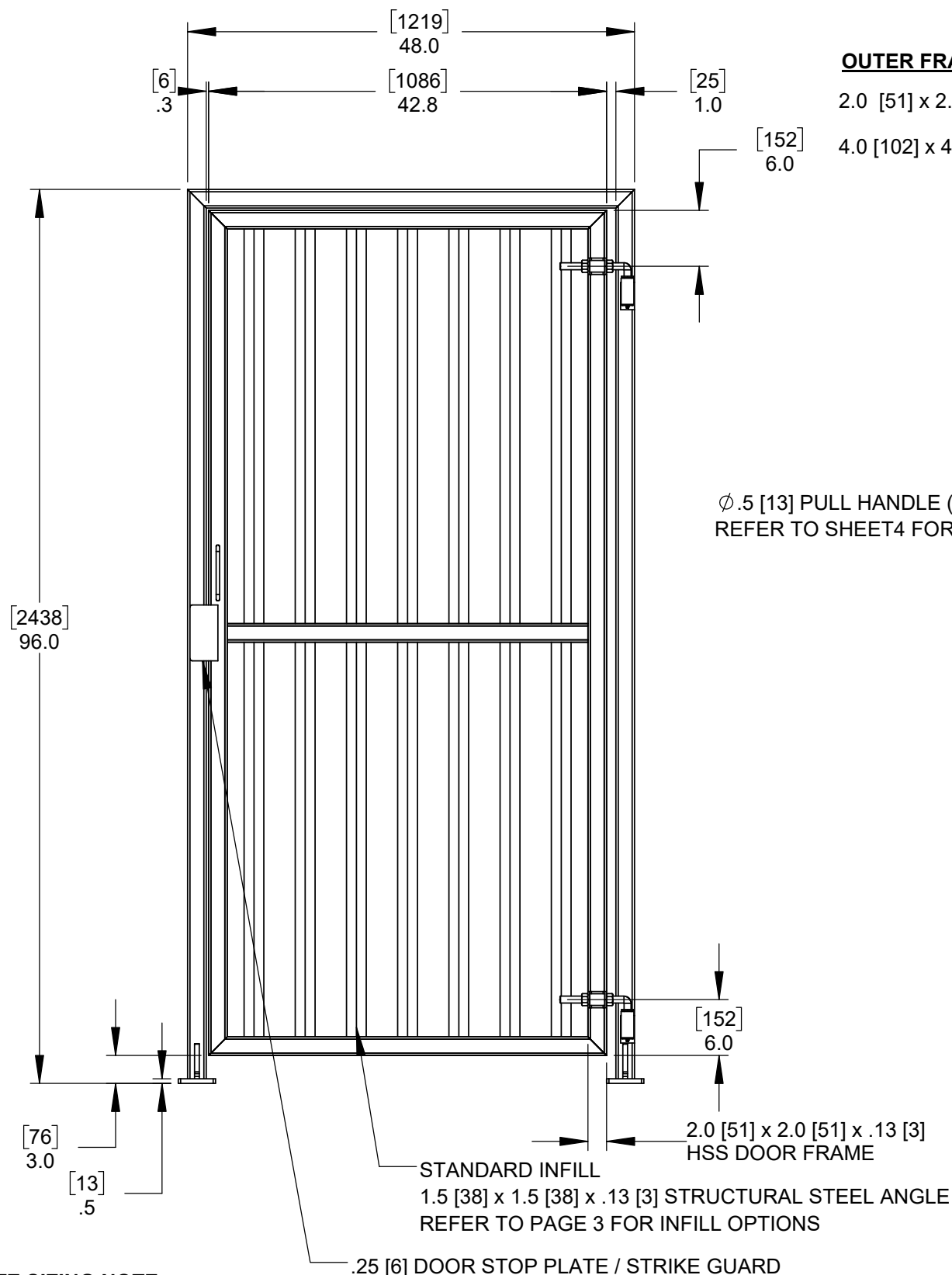
Ø.5 [13] PULL HANDLE (BOTH SIDES OF DOOR)
REFER TO SHEET4 FOR PASSAGE SET OPTIONS

NOTES:

- DIMENSIONS ARE IN INCHES, DIMENSIONS SHOWN IN [] ARE IN MILLIMETERS.
- SHEET 2
GENERAL CONSTRUCTION DETAILS, BASE PLATE AND MOUNTING OPTIONS
- SHEET 3
DOOR INFILL OPTIONS.
- SHEET 4
PASSAGE SET OPTIONS
- SHEET 5
LOCK AND SELF-CLOSER OPTIONS.

FINISH NOTES:

- STANDARD FINISH, HOT DIPPED GALVANIZED
- OPTIONAL POWDER COAT PAINT FINISH AVAILABLE, RAL COLOR # MUST BE SUPPLIED AT TIME OF ORDER.
(STANDARD POWDER COAT COLOR, SEMI-GLOSS BLACK, RAL #9011)



GATE SIZING NOTE:

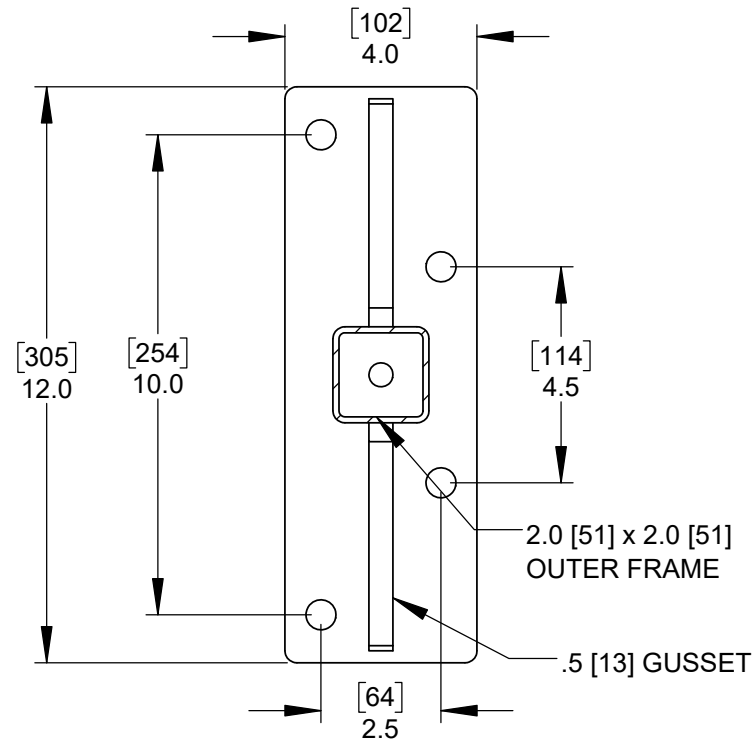
GATE IS SHOWN IN THE DEFAULT SIZE CONFIGURATION.
CUSTOM SIZING IS AVAILABLE APON REQUEST.



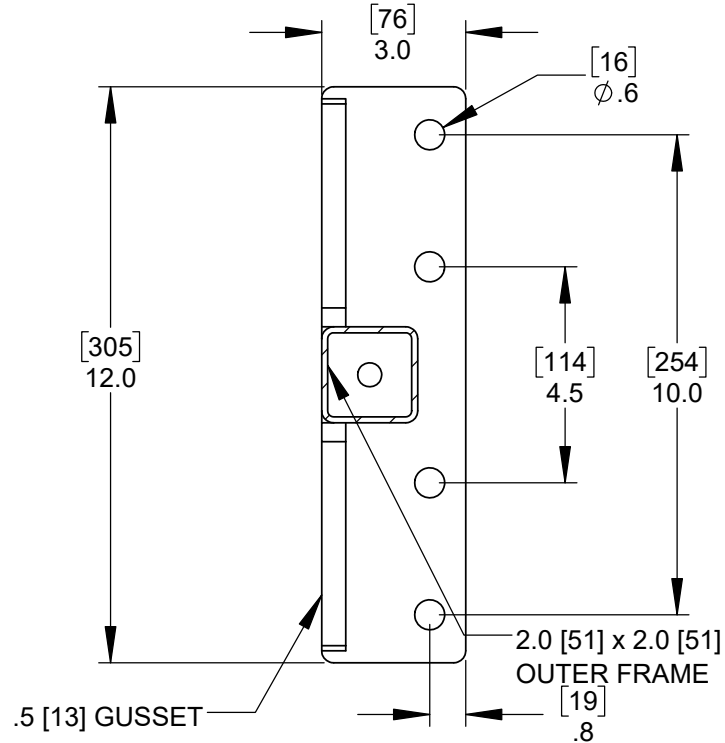
115 Lowson Crescent
Winnipeg, Manitoba, Canada, R3P 1A6
Phone: 1-866-300-1110
Fax: 1-204-284-1868
Web: www.wallaceperimetersecurity.com

Description:		PRE-HUNG PEDESTRIAN GATE	
		STANDARD DETAILS AND OPTION DRAWING	
Customer / Project Name:			
Finish:		Date:	
SEE NOTES		10/29/2018	
Drawing No.		Rev.	
PG-10-29-18			
		Sheet:	
		1 of 5	

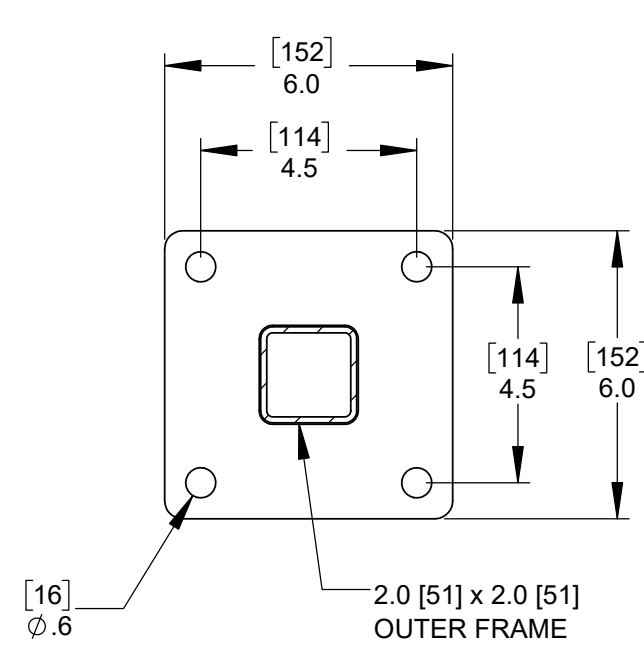
DETAIL B1 - 4.0 [102] x 12.0 [305] x .5 [13]
BASE PLATES, 2" x 2" OUTER FRAME



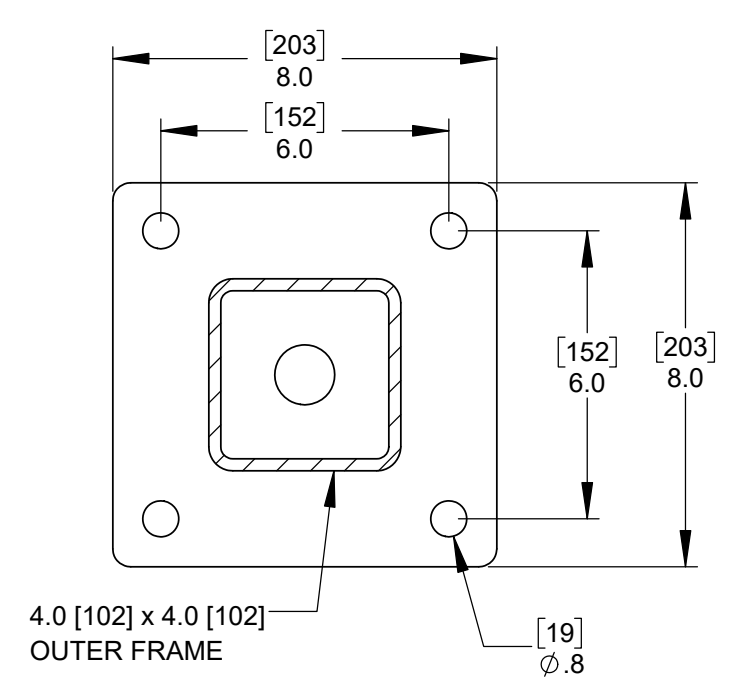
DETAIL B2 - 3.0 [76] x 12.0 [305] x .5 [13]
BASE PLATES, 2" x 2" OUTER FRAME



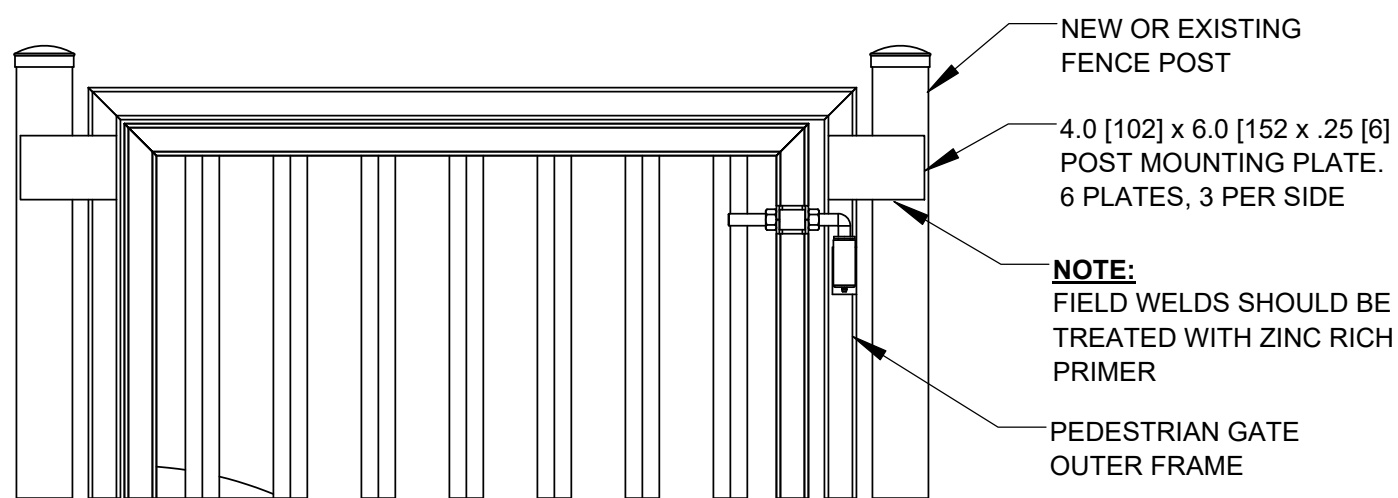
DETAIL B3 - 6.0 [152] x 6.0 [152] x .25 [6]
BASE PLATES, 2" x 2" OUTER FRAME



DETAIL B4 - 8.0 [203] x 8.0 [203] x .5 [13]
BASE PLATES, 4" x 4" OUTER FRAME



DETAIL C - 6.0 [152] x 4.0 [102] x .25 [6] POST MOUNTING PLATES

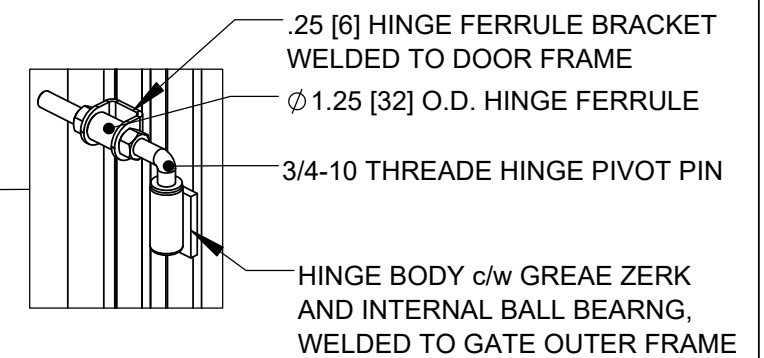
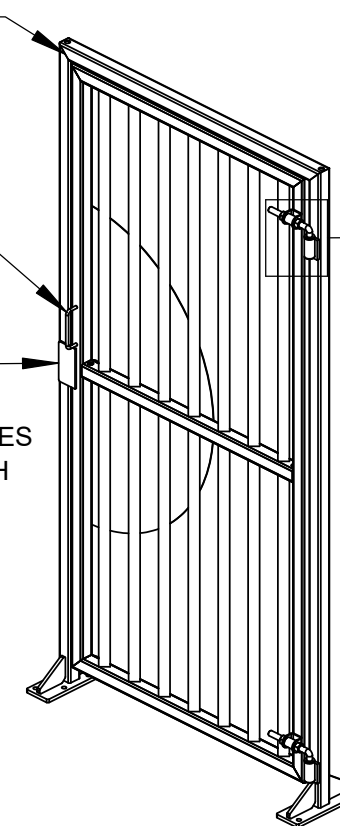


DETAIL D - STANDARD GATE DETAILS

ALL WELDS ON OUTER AND DOOR FRAME ARE GROUND SMOOTH PRIOR TO PLATING / PAINTING

STANDARD GATES ARE SUPPLIED WITH 2, ϕ .5 [13] PUSH / PULL HANDLES

ALL GATES ARE SUPPLIED WITH .25 [6] DOOR STOLP PLATE / STRIKE GUARD, EXCLUDING GATES SUPPLIED WITH PADLOCK LATCH PLATE



Description:
PRE-HUNG PEDESTRIAN GATE
STANDARD DETAILS / BASE PLATE OPTIONS

Customer / Project Name:

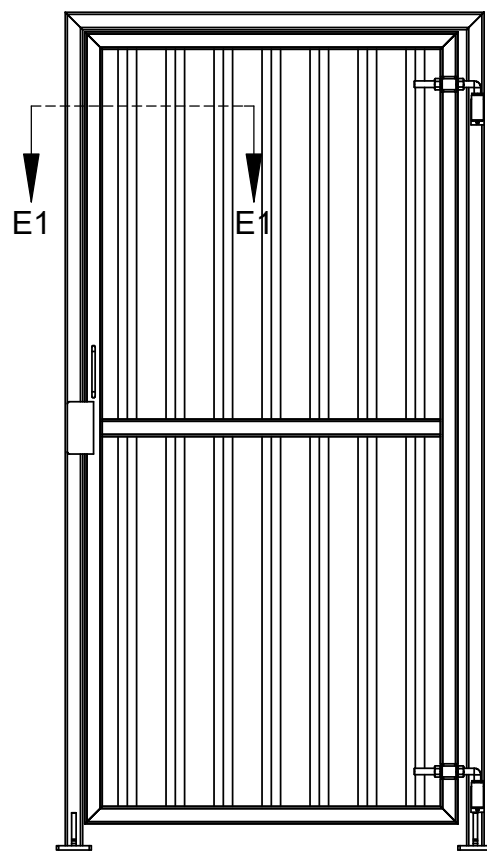
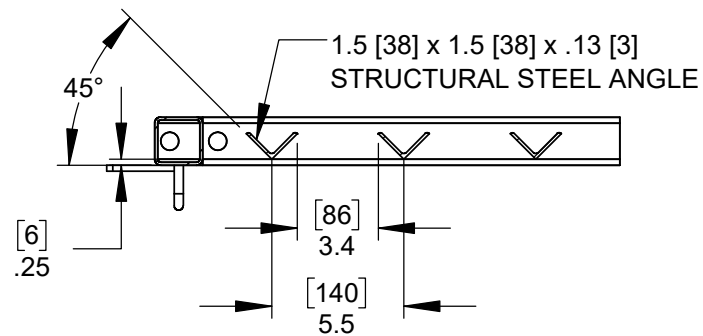
Finish: SEE FINISH NOTES ON PAGE 1
Date: 10/29/2018

Drawing No. PG-10-29-18
Rev.
Sheet: 2 of 5

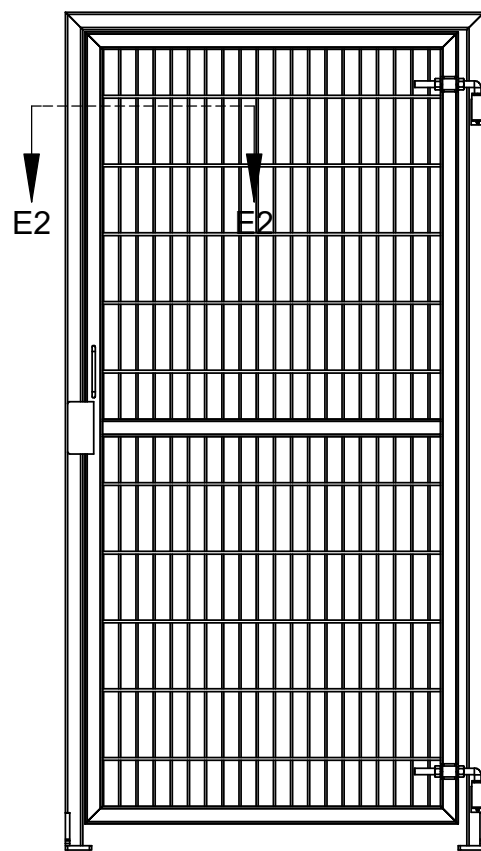
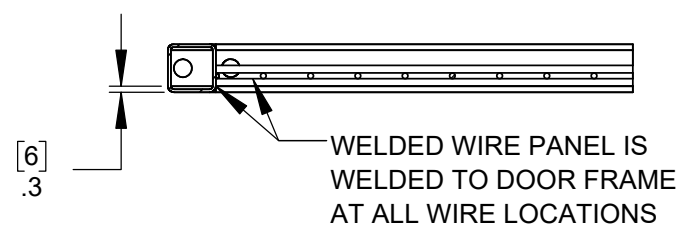


115 Lowson Crescent
Winnipeg, Manitoba, Canada, R3P 1A6
Phone: 1-866-300-1110
Fax: 1-204-284-1868
Web: www.wallaceperimetersecurity.com

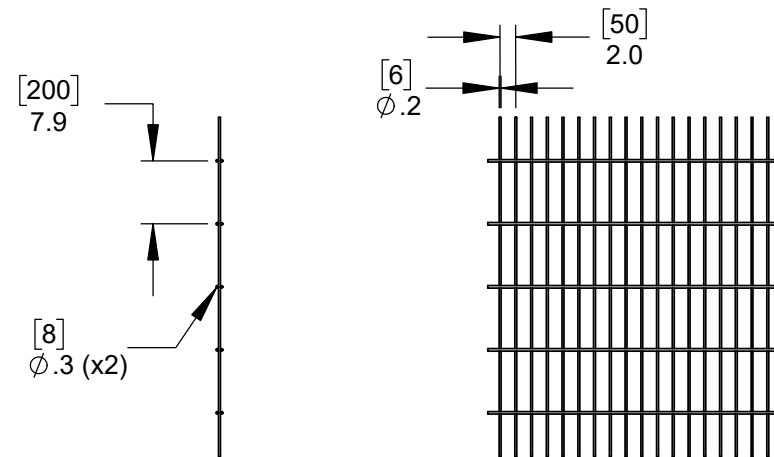
DETAIL E1 - 1.5 [38] x 1.5 [38] PICKETS



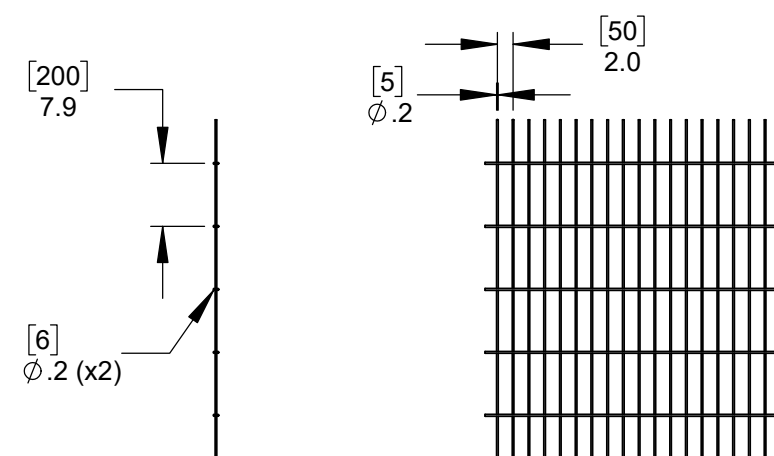
DETAIL E2 - WELDED WIRE



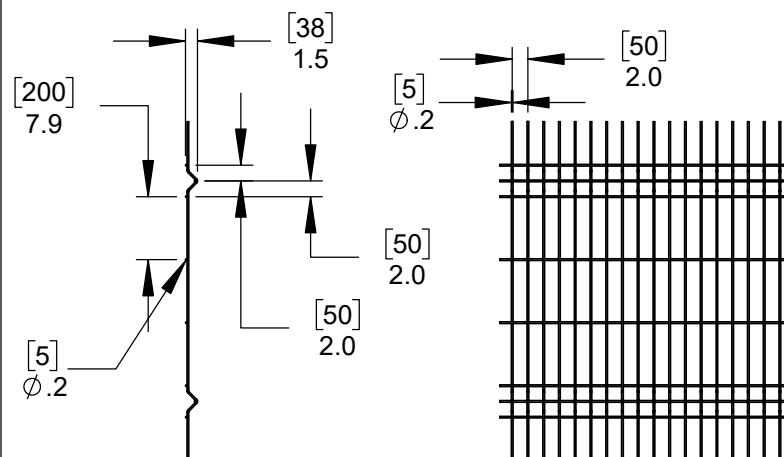
TYPE E2-1 - RAMPART 280 WELDED WIRE



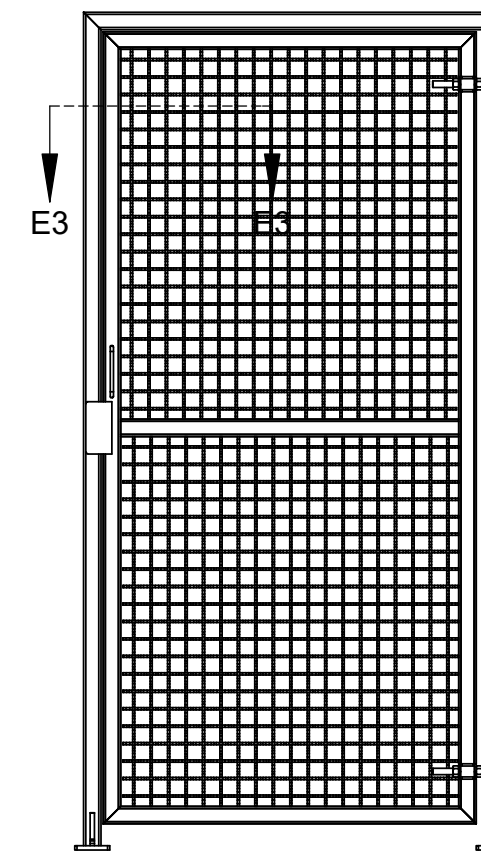
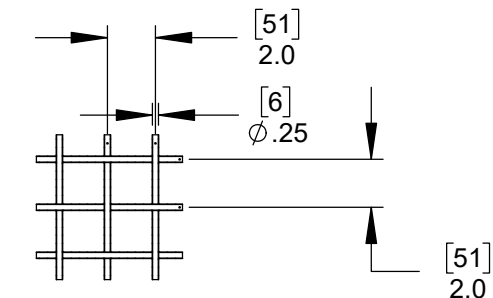
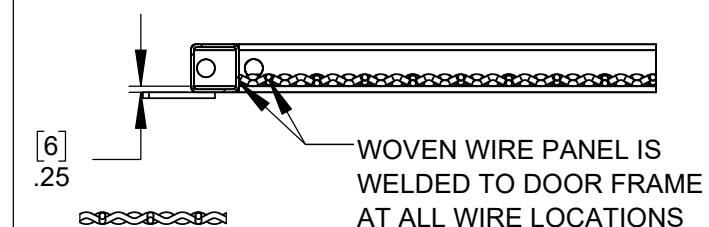
TYPE E2-2 - RAMPART 284 WELDED WIRE



TYPE E2-3 - RAMPART 286 WELDED WIRE



DETAIL E3 - WOVEN WIRE



INFILL NOTES:

- STANDARD INFILL 1.5 [38] x 1.5 [38] x .13 [3] PICKET (DETAIL A-1)
- CUSTOM PANEL INFILLS ARE AVAILABLE, INQUIRE WITH YOUR WALLACE PERIMETER SECURITY SALES REPRESENTATIVE FOR AVAILABILITY
- OPTIONAL REACH THRU GUARDS ARE AVAILABLE WITH CERTAIN PASSAGE SET CONFIGURATIONS REFER TO PAGE 4 FOR DETAILS.

Description:
PRE-HUNG PEDESTRIAN GATE
DOOR INFILL OPTIONS

Customer / Project Name:

Finish:
SEE FINISH NOTES ON PAGE 1

Drawing No.
PG-10-29-18

Date:
10/29/2018

Sheet:
3 of 5



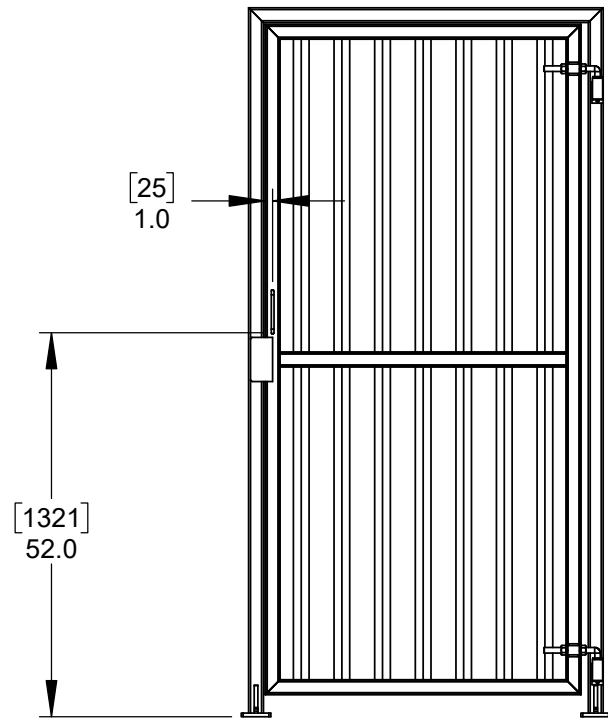
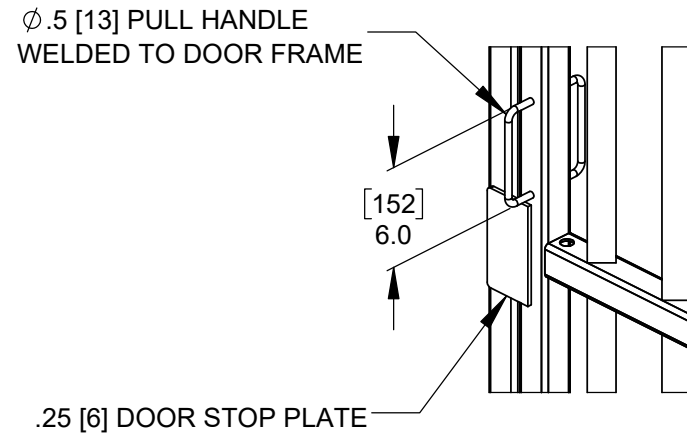
115 Lowson Crescent
Winnipeg, Manitoba, Canada, R3P 1A6
Phone: 1-866-300-1110
Fax: 1-204-284-1868
Web: www.wallaceperimetersecurity.com

DETAIL F1 - PUSH / PULL HANDLE

F1-1 - INTERIOR HANDLE

F1-2 - EXTERIOR HANDLE

F1-3 - INTERIOR / EXTERIOR HANDLE

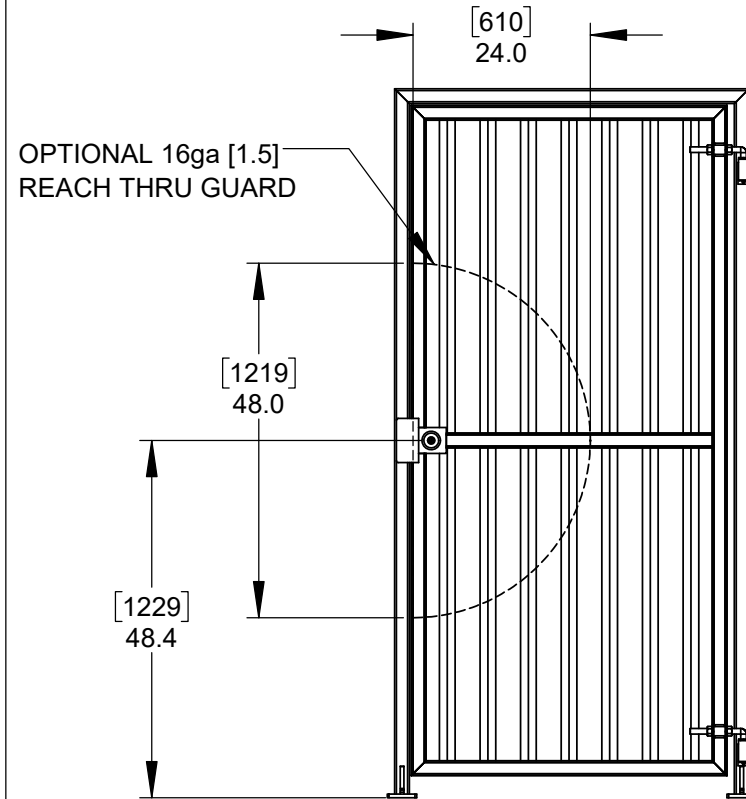
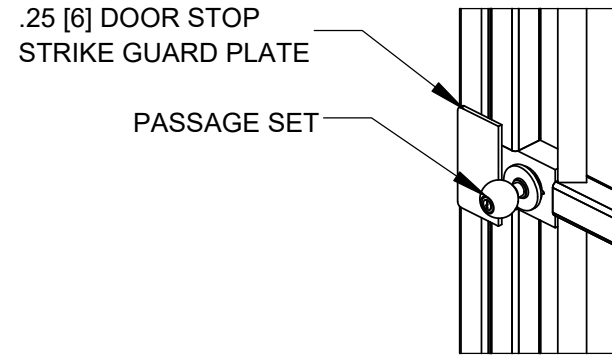


DETAIL F2 - PASSAGE SET

F2-1 - PASSAGE SET, KEYED ONE SIDE

F2-2 - PASSAGE SET, KEYED BOTH SIDES

F2-3 - PASSAGE SET, KEYED BOTH SIDES WITH HES 5000 ELECTRIC STRIKE (SEE DETAIL F4-1)

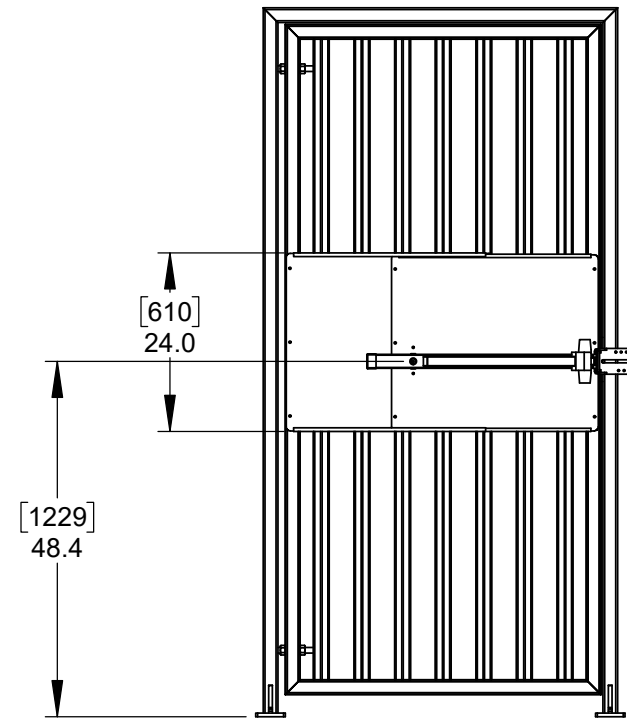
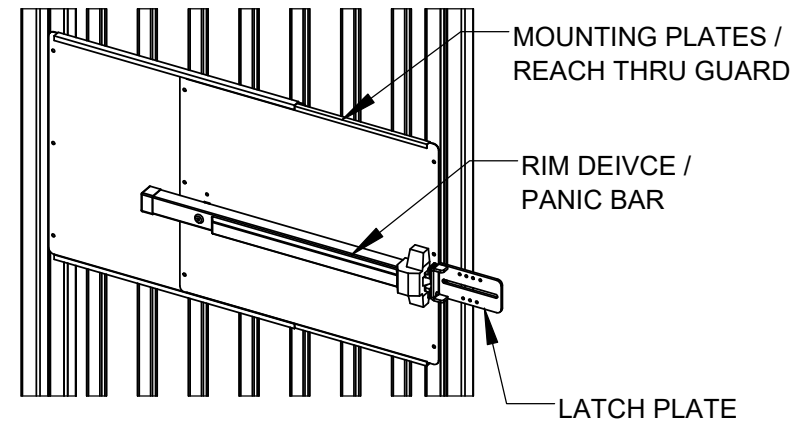


DETAIL F3 - RIM DEVICE (PANIC BAR)

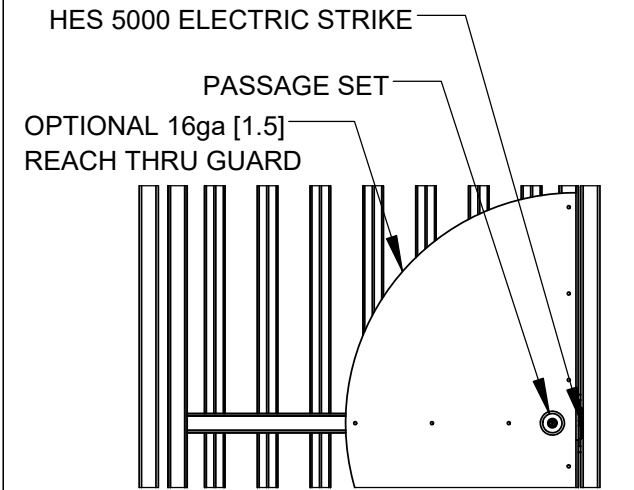
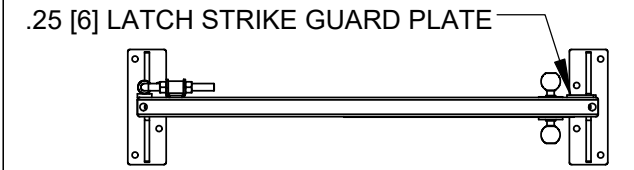
F3-1 - RIME DEVICE, NO LOCK BOX

F3-2 - RIM DEVICE, WITH LOCK BOX

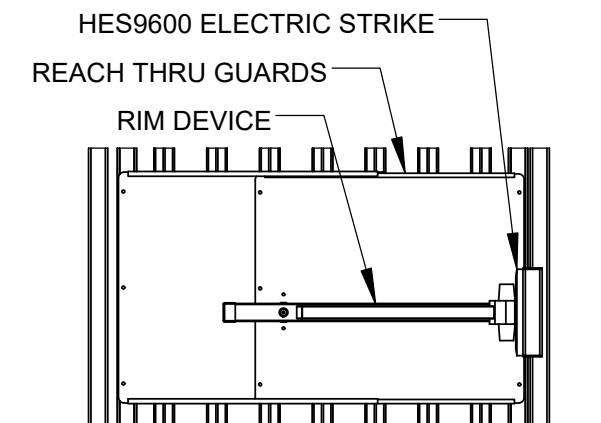
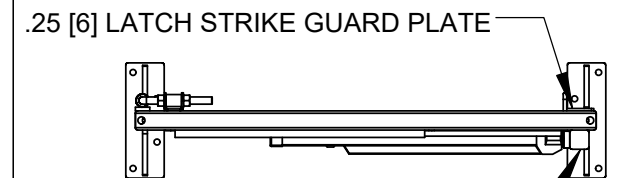
F3-3 - RIM DEVICE, WITH HES 9600 ELECTRIC STRIKE (SEE DETAIL F4-2)



DETAIL F4-1 - PASSAGE SET / HES 5000 ELECTRIC STRIKE



DETAIL F4-2 - RIM DEVICE / HES 9600 ELECTRIC STRIKE



NOTE:
ALL DIMENSIONS SHOWN ARE BASED ON STANDARD GATE SIZE OF 48.0" [1219] x 96.0" [2438]

Description:
PRE-HUNG PEDESTRIAN GATE
PASSAGE SET / ELECTRIC STRIKE OPTIONS

Customer / Project Name:

WALLACE
PERIMETER SECURITY

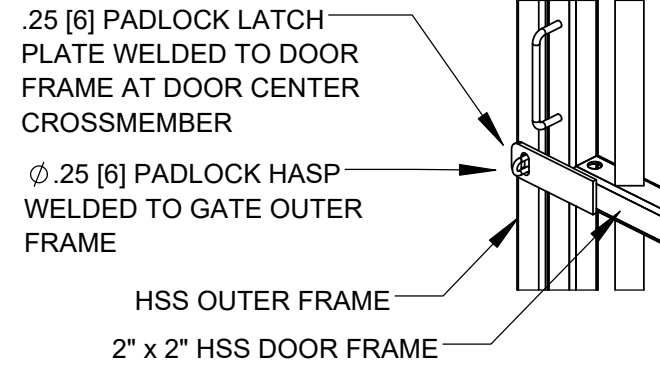
115 Lowson Crescent
Winnipeg, Manitoba, Canada, R3P 1A6
Phone: 1-866-300-1110
Fax: 1-204-284-1868
Web: www.wallaceperimetersecurity.com

Finish:
SEE FINISH NOTES ON PAGE 1

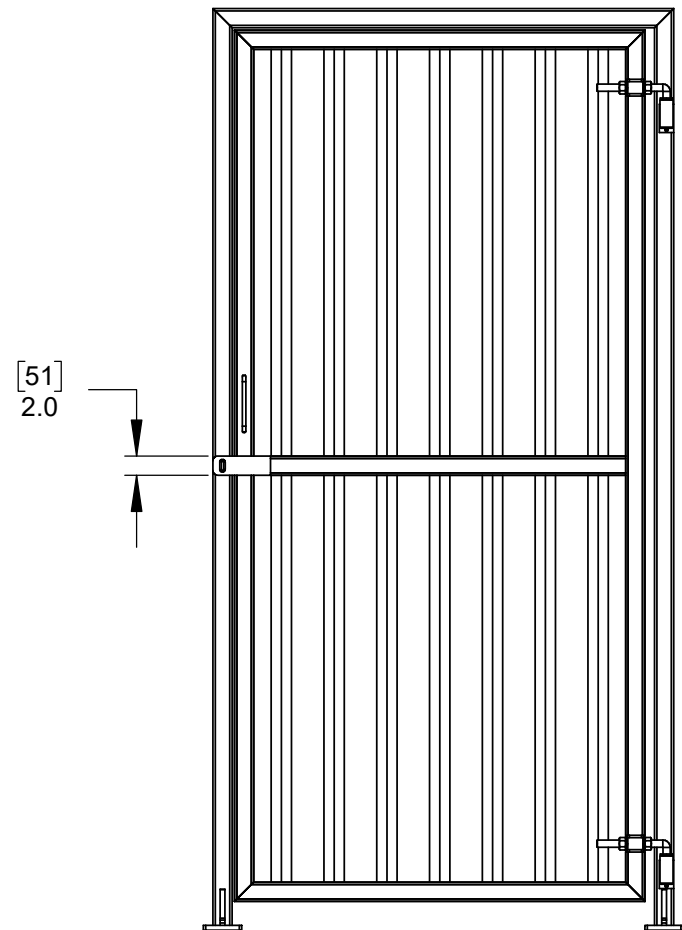
Date:
10/29/2018

Drawing No. **PG-10-29-18** Rev. Sheet: 4 of 5

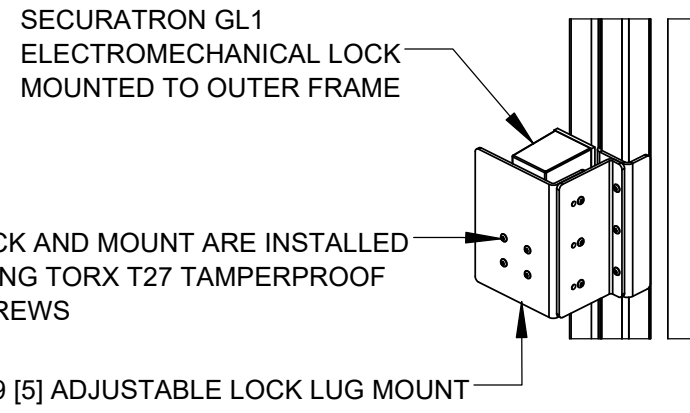
DETAIL G1 - PADLOCK PLATE



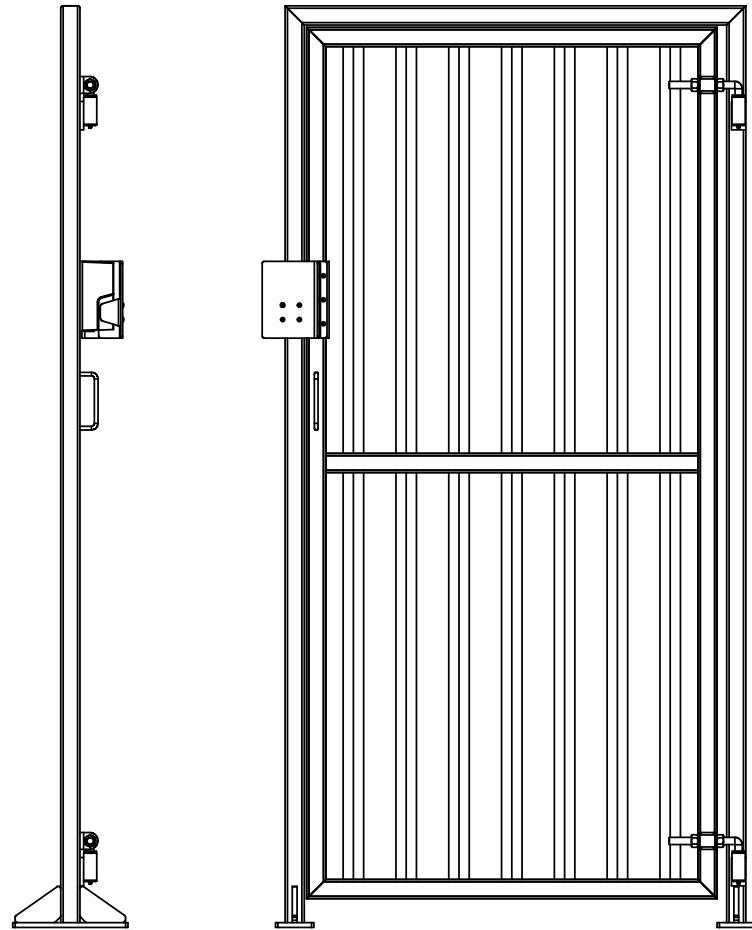
NOTE:
PADLOCK PLATE CAN BE LOCATED ON THE SECURE OR PUBLIC SIDE OF GATE DEPENDING ON DOOR SWING. PADLOCK IS NOT SUPPLIED



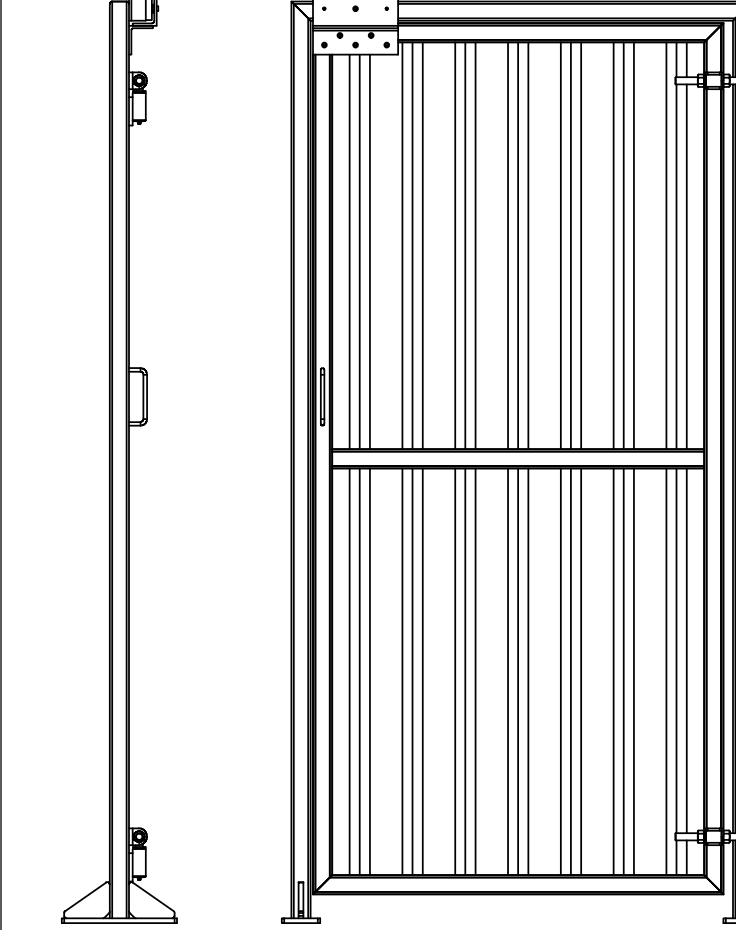
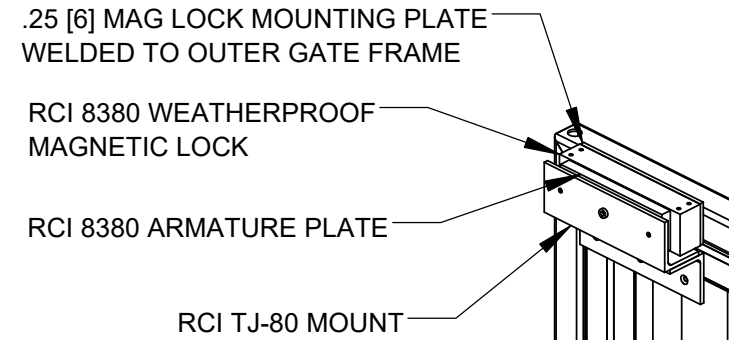
DETAIL G2 - GL1, ELECTROMECHANICAL LOCK



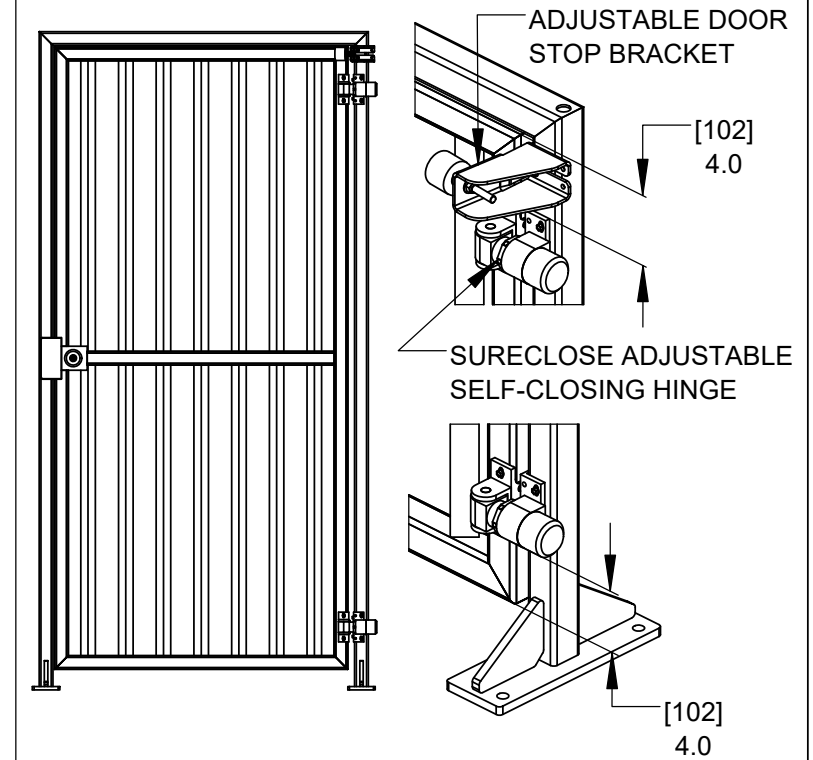
NOTE:
ABLOY LOCK AND KEY LOCATED ON SIDE OF LOCK FOR MANUAL RELEASE



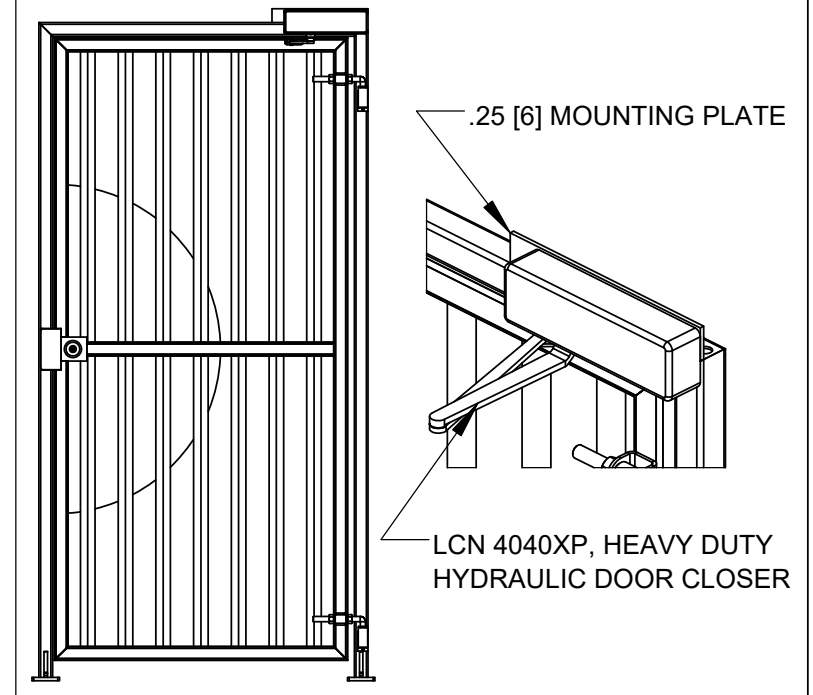
DETAIL G3 - RCI, 8380 MAGNETIC LOCK



DETAIL H1 - SELF-CLOSING GATE HINGE



DETAIL H2 - HYDRAULIC DOOR CLOSER



LOCK OPTION NOTES:

- ONLY STANDARD LOCKING OPTIONS ARE SHOWN
CUSTOM LOCK OPTIONS ARE AVAILABLE, INQUIRE WITH YOUR WALLACE PERIMETER SECURITY SALES REPRESENTATIVE FOR MODELS AND AVAILABILITY

Description: **PRE-HUNG PEDESTRIAN GATE**
LOCK AND CLOSER OPTIONS

Customer / Project Name:		Date:
SEE FINISH NOTES ON PAGE 1		10/29/2018
Drawing No.	Rev.	Sheet:
PG-10-29-18		5 of 5

115 Lawson Crescent
Winnipeg, Manitoba, Canada, R3P 1A6
Phone: 1-866-300-1110
Fax: 1-204-284-1868
Web: www.wallaceperimetersecurity.com