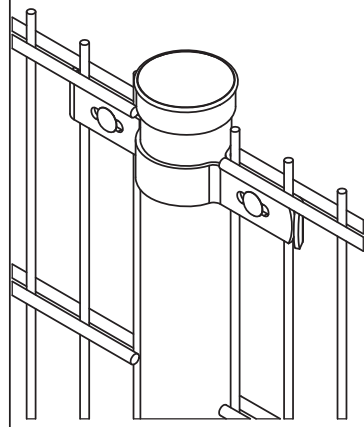
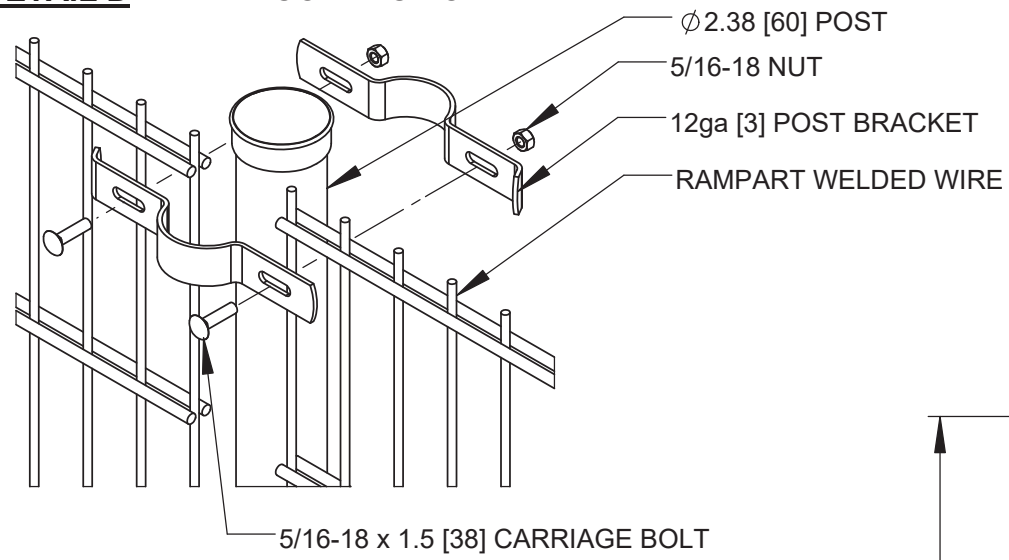


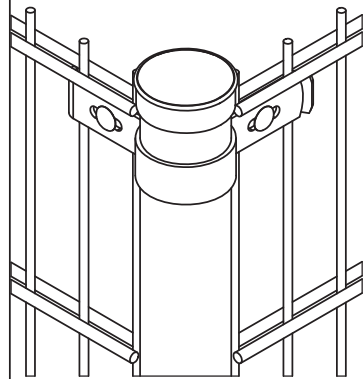
**DETAIL A - LINE POST CONNECTION**



**DETAIL D - PANEL CONNECTION DETAIL**

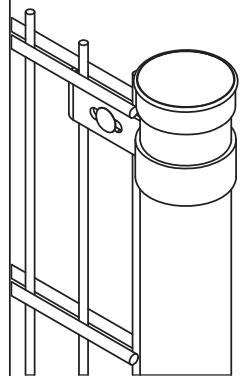


**DETAIL B - CORNER POST CONNECTION**



HEIGHT	BRACKET QTY.
4' [1.2]	3
6' [1.8]	4
8' [2.4]	5

**DETAIL C - END POST CONNECTION**



HEIGHT  
(SEE CHART)

[1219]  
48.0

[60]  
 $\phi$ 2.4  
[11]  
.4

[2591]  
102.0

[2508]  
98.7

GRADE

POSTS ARE INSTALLED BY  
DRIVEN METHOD

**OPTIONAL INSTALLATION METHOD**  
POSTS SET IN CONCRETE

[203]  
 $\phi$ 8.0

**FINISH NOTES:**

STANDARD FINISH: HOT DIPPED GALVANIZED  
OPTIONAL POWDER COAT FINISH AVAILABLE



115 Lawson Crescent  
Winnipeg, Manitoba, Canada, R3P 1A6  
Phone: 1-866-300-1110  
Fax: 1-204-284-1868  
Web: www.wallaceperimetersecurity.com

Description: <b>RAMPART FENCE LINE DETAIL</b> $\phi$ 2.375 [60] ROUND POST RAMPART 280, 284, 286		
Customer / Project Name:		
Finish: SEE FINISH NOTES	Date: 9/4/2018	
Drawing No. <b>RAMPART 2375</b>	Rev.	Sheet: 1 of 1