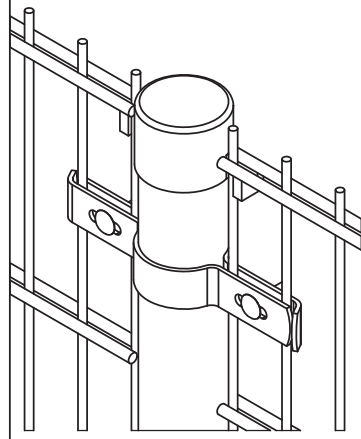
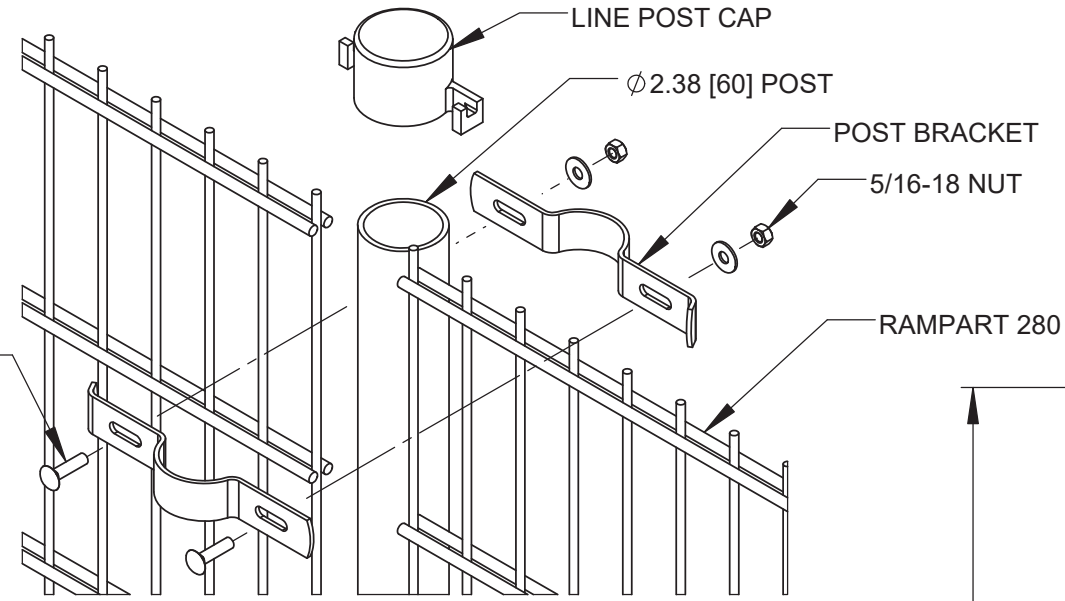


**DETAIL A - LINE POST CONNECTION**



5/16-18 x 1.5 [38]  
CARRIAGE BOLT

**DETAIL D - PANEL CONNECTION DETAIL (LINE POST SHOWN)**



LINE POST CAP

Ø 2.38 [60] POST

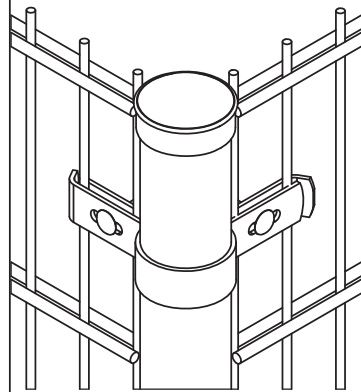
POST BRACKET

5/16-18 NUT

RAMPART 280

DIMENSIONS ARE IN INCHES, DIMENSIONS SHOWN IN [ ] ARE IN MILLIMETERS

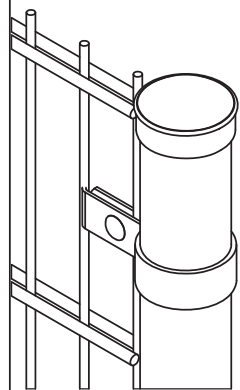
**DETAIL B - CORNER POST CONNECTION**



HEIGHT	BRACKET QTY.
4' [1.2]	3
6' [1.8]	4
8' [2.4]	5

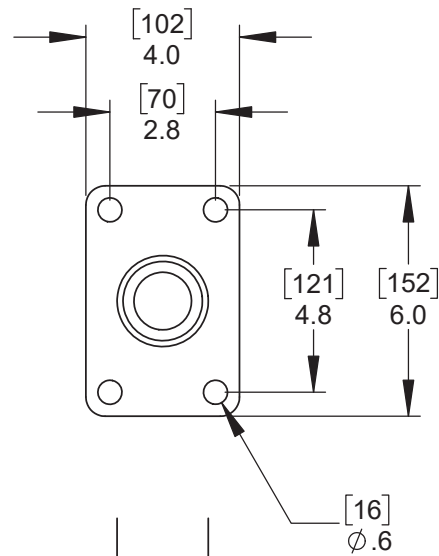
HEIGHT  
(SEE CHART)

**DETAIL C - END POST CONNECTION**



[6]  
.25

**DETAIL E - OPTIONAL FLANGE POST**



[102]  
4.0

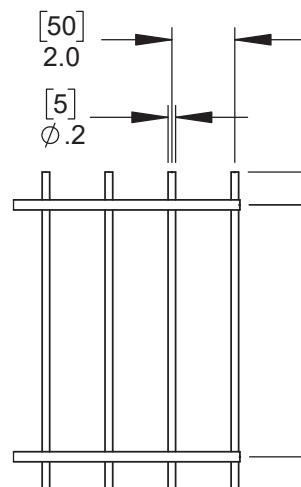
[70]  
2.8

[121]  
4.8

[152]  
6.0

[16]  
Ø .6

**RAMPART 280**



[50]  
2.0

[5]  
Ø .2

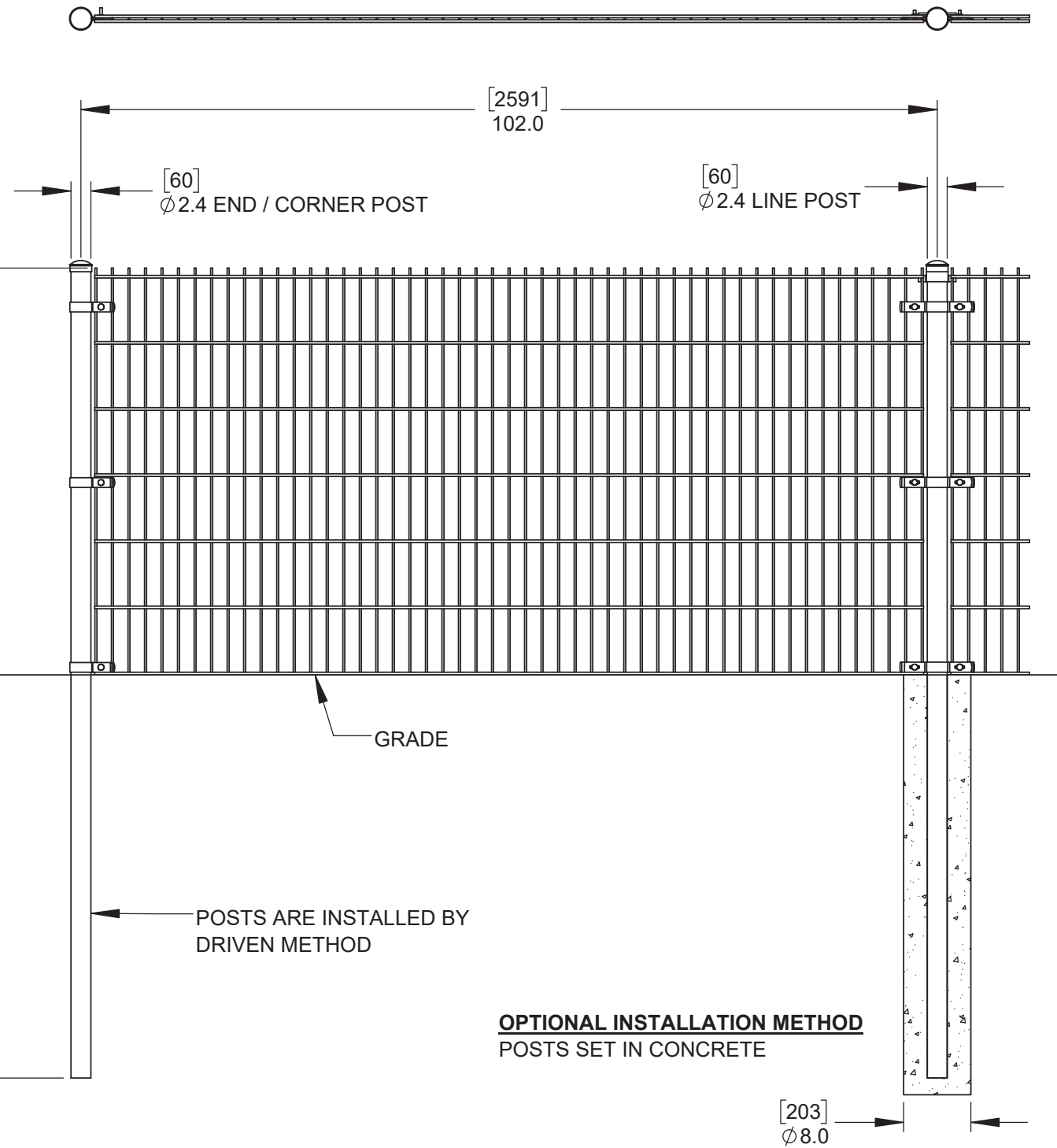
[26]  
1.0

[200]  
7.9

DOUBLE Ø .3



115 Lawson Crescent  
Winnipeg, Manitoba, Canada, R3P 1A6  
Phone: 1-866-300-1110  
Fax: 1-204-284-1868  
Web: www.wallaceperimetersecurity.com



[2591]  
102.0

[60]  
Ø 2.4 END / CORNER POST

[60]  
Ø 2.4 LINE POST

GRADE

36.0  
POST DEPTH  
TO SUIT SITE CONDITIONS

POSTS ARE INSTALLED BY  
DRIVEN METHOD

**OPTIONAL INSTALLATION METHOD**  
POSTS SET IN CONCRETE

[203]  
Ø 8.0

Description: <b>RAMPART 280 WELDED WIRE FENCE Ø 2.375 [60] POSTS</b>		
Customer / Project Name:		
Finish: STANDARD: GALVANIZED OPTIONAL: POWDER COAT, BLACK	Date: 4/27/2022	
Drawing No. <b>RAMPART 280</b>	Rev. <b>A</b>	Sheet: 1 of 1