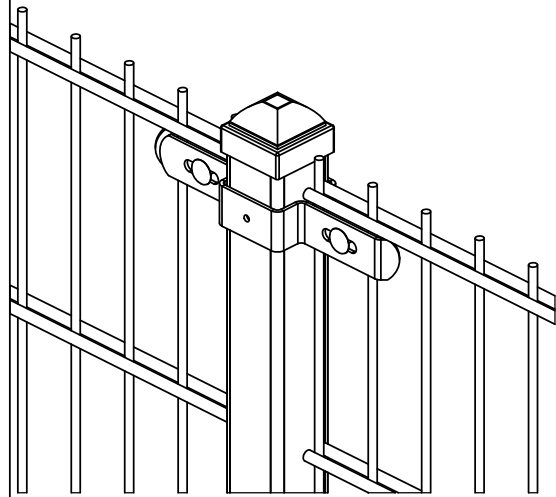
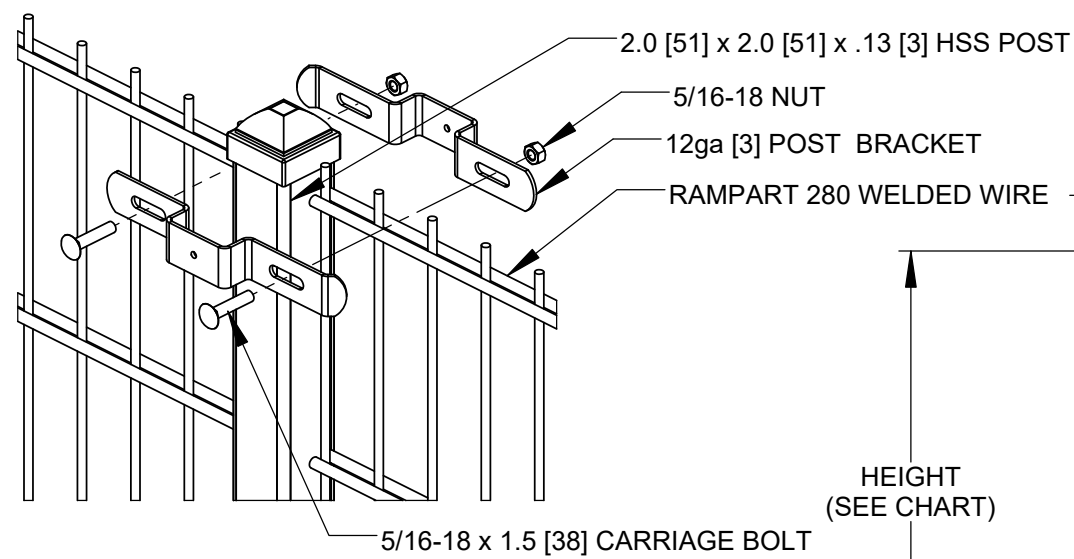


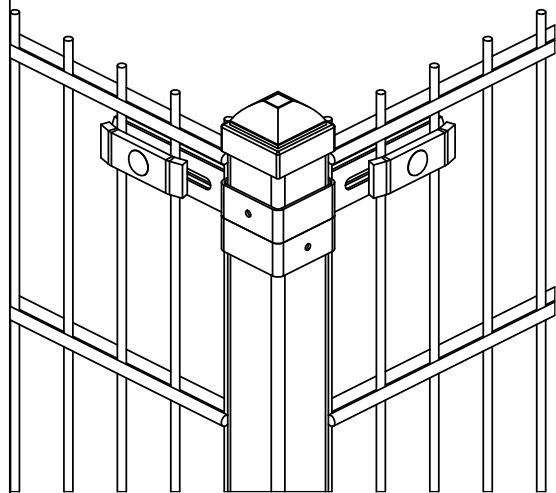
**DETAIL A - LINE POST CONNECTION**



**DETAIL D - PANEL CONNECTION DETAIL**

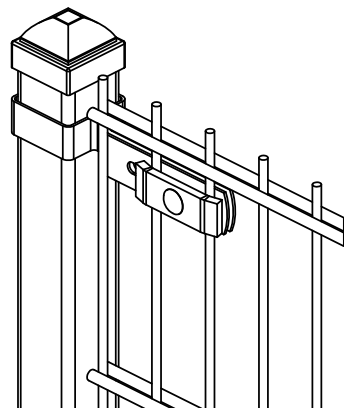


**DETAIL B - CORNER POST CONNECTION**

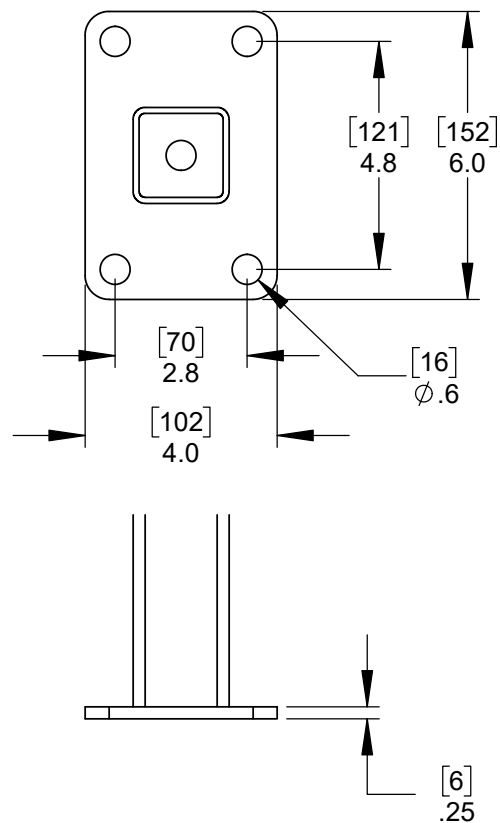


HEIGHT	BRACKET QTY.
4' [1.2]	3
6' [1.8]	4
8' [2.4]	5

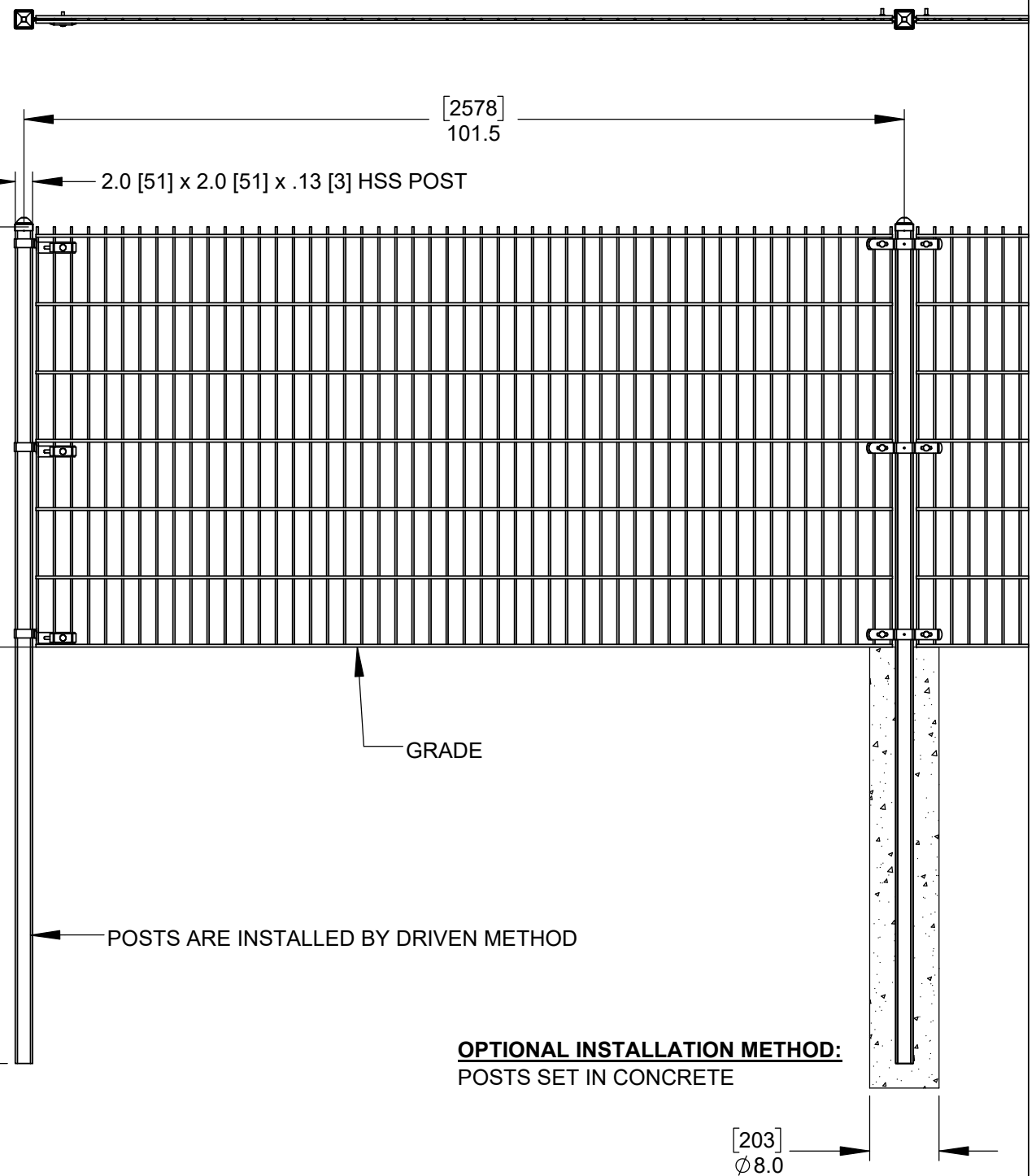
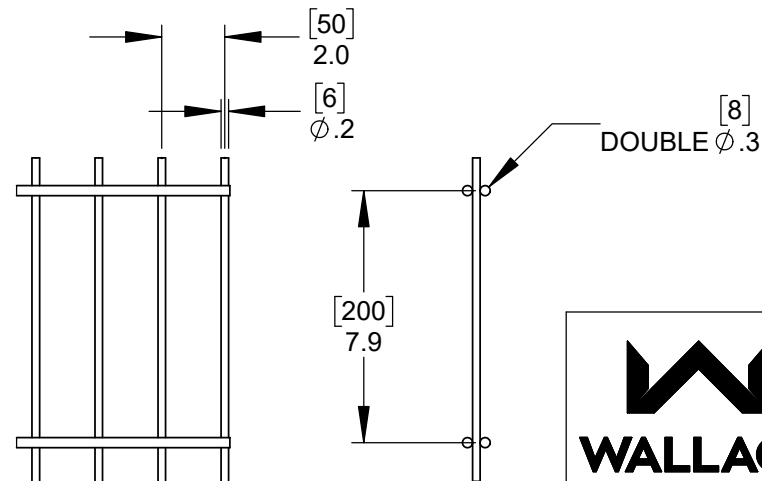
**DETAIL C - END POST CONNECTION**



**DETAIL E - OPTIONAL FLANGE POST**



**RAMPART 280**



**OPTIONAL INSTALLATION METHOD:**  
POSTS SET IN CONCRETE

DIMENSIONS ARE INCHES, DIMENSIONS SHOWN IN [ ] ARE IN MILLIMETERS



115 Lowson Crescent  
Winnipeg, Manitoba, Canada, R3P 1A6  
Phone: 1-866-300-1110  
Fax: 1-204-284-1868  
Web: www.wallaceperimetersecurity.com

Description: <b>RAMPART 280 WELDED WIRE FENCE 2.0 [51] x 2.0 [51] SQUARE POSTS</b>		
Customer / Project Name:		
Finish: STANDARD: GALVANIZED OPTIONAL: POWDER COAT, BLACK	Date: 10/7/2020	
Drawing No. <b>RAMPART 280S2</b>	Rev.	Sheet: 1 of 1