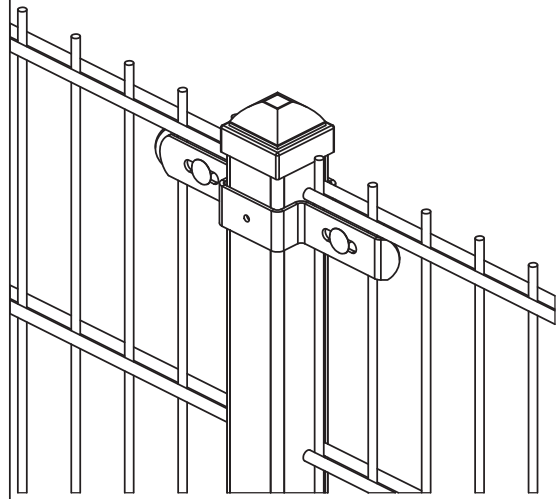
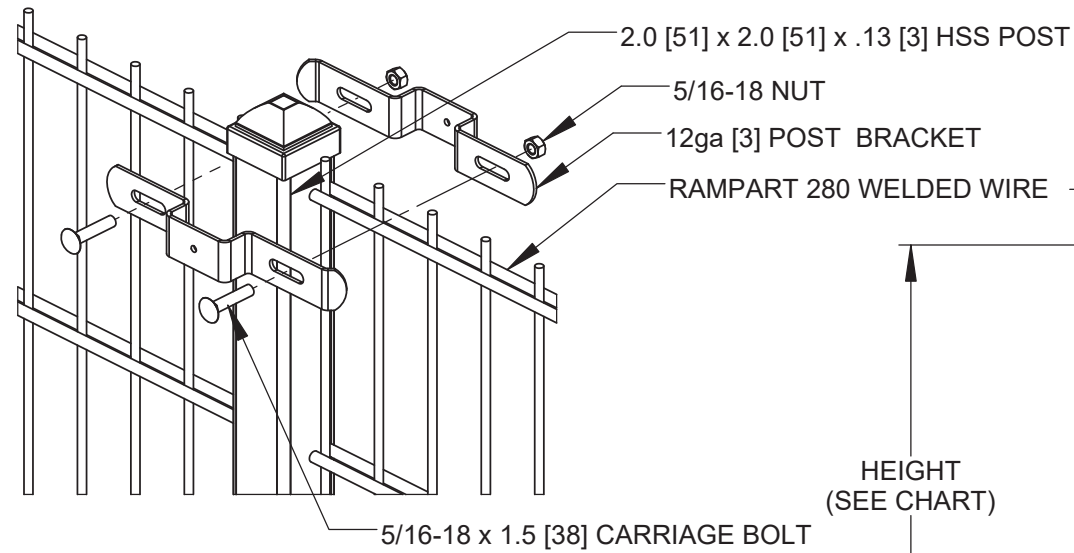


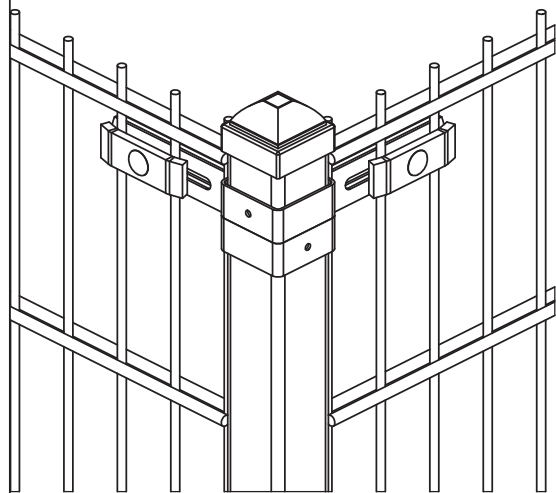
DETAIL A - LINE POST CONNECTION



DETAIL D - PANEL CONNECTION DETAIL

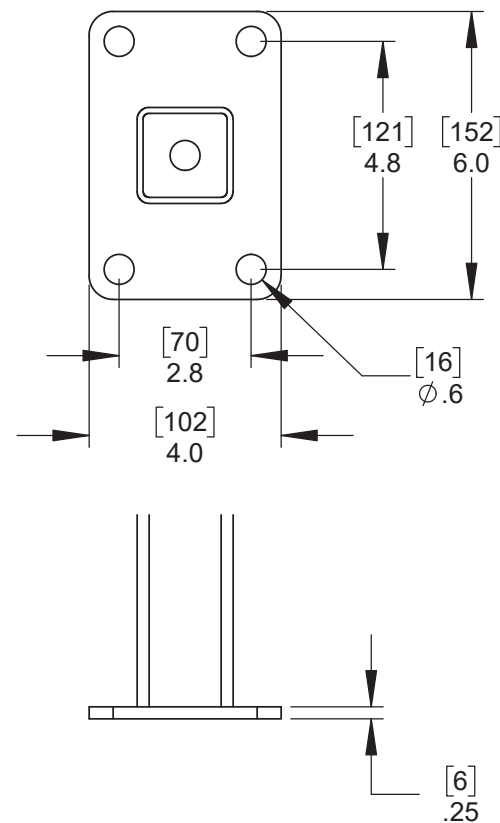


DETAIL B - CORNER POST CONNECTION

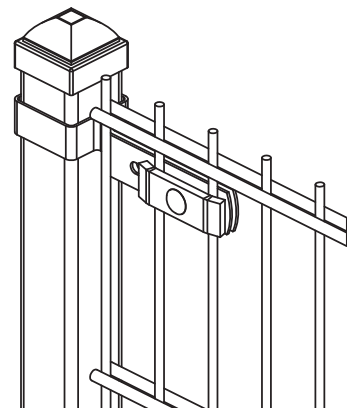


HEIGHT	BRACKET QTY.
4' [1.2]	3
6' [1.8]	4
8' [2.4]	5

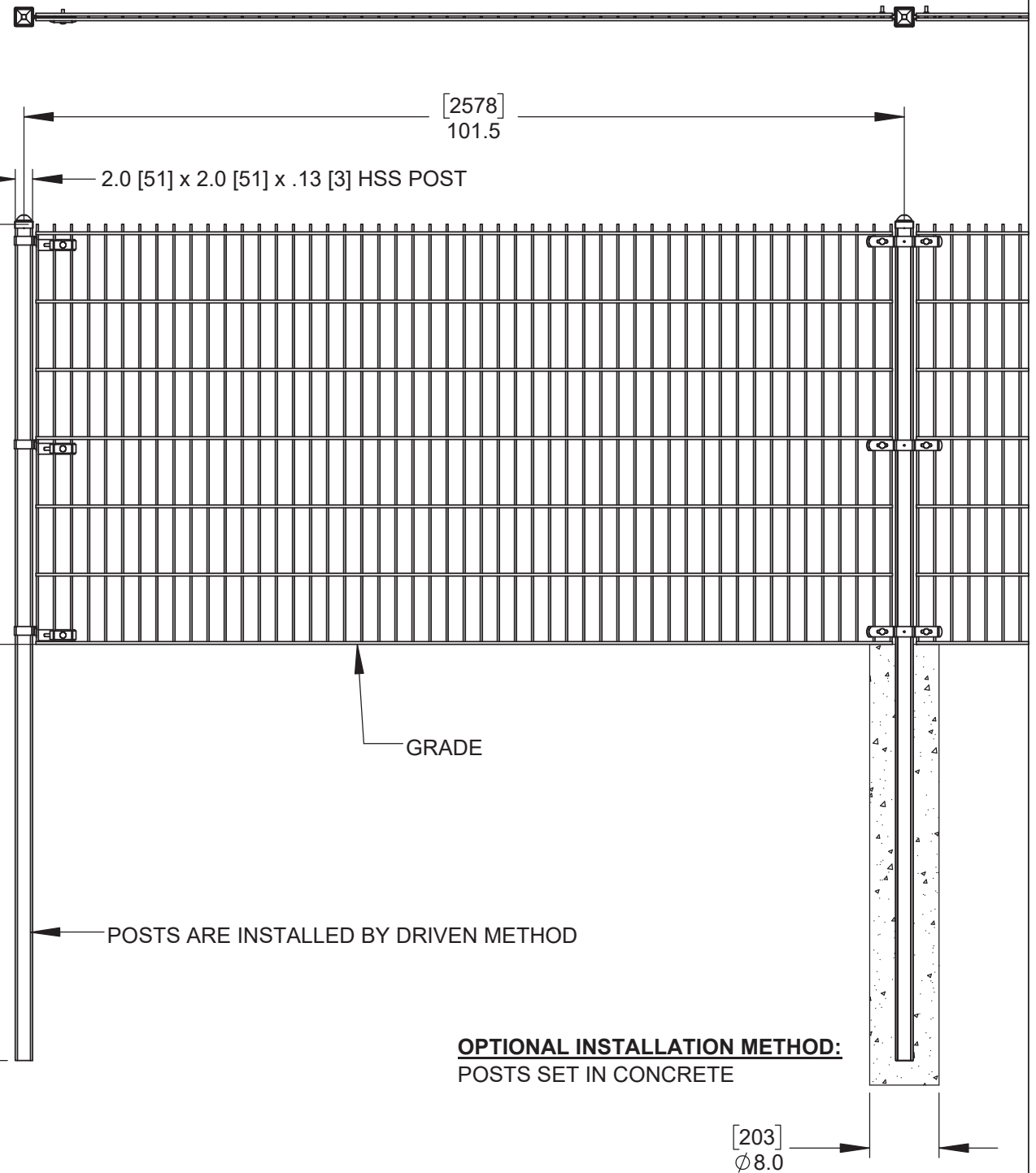
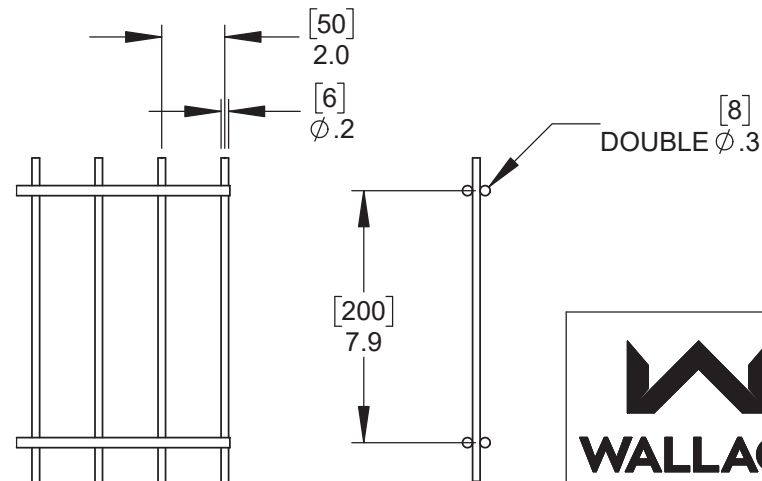
DETAIL E - OPTIONAL FLANGE POST



DETAIL C - END POST CONNECTION



RAMPART 280



OPTIONAL INSTALLATION METHOD:
POSTS SET IN CONCRETE

POSTS ARE INSTALLED BY DRIVEN METHOD

36.0
POST DEPTH
TO SUIT SITE CONDITIONS

HEIGHT
(SEE CHART)

GRADE

Description:
**RAMPART 280
WELDED WIRE FENCE**
2.0 [51] x 2.0 [51] SQUARE POSTS

Customer / Project Name:

Finish: **STANDARD: GALVANIZED**
OPTIONAL: POWDER COAT, BLACK

Date:
4/27/2022

Drawing No.
RAMPART 280S2

Rev.
A

Sheet:
1 of 1



115 Lawson Crescent
Winnipeg, Manitoba, Canada, R3P 1A6
Phone: 1-866-300-1110
Fax: 1-204-284-1868
Web: www.wallaceperimetersecurity.com

DIMENSIONS ARE INCHES, DIMENSIONS SHOWN IN [] ARE IN MILLIMETERS