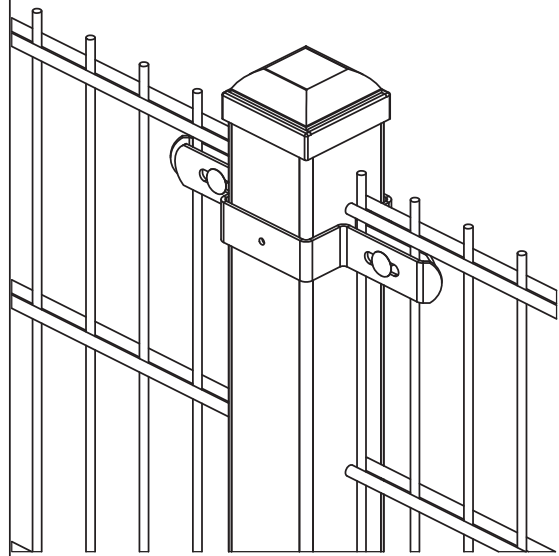
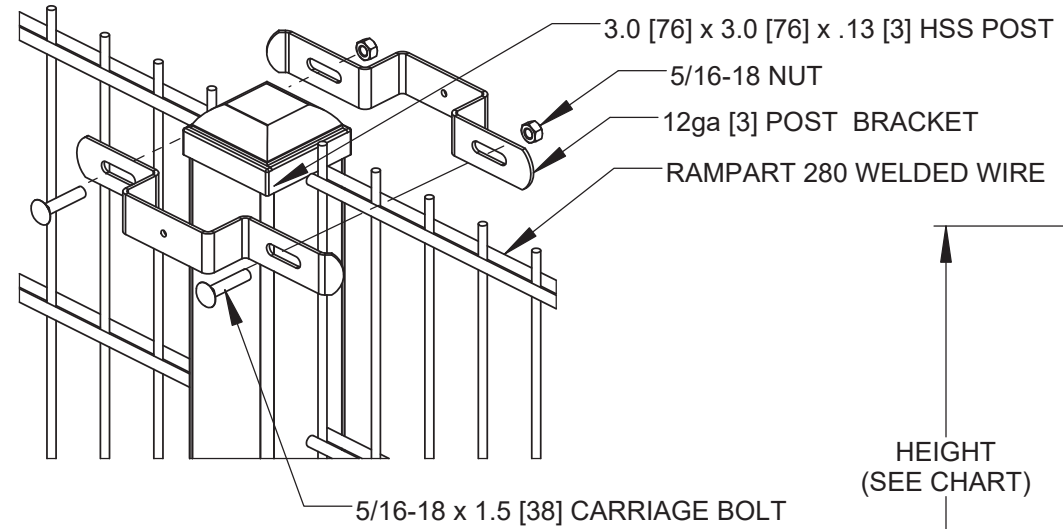


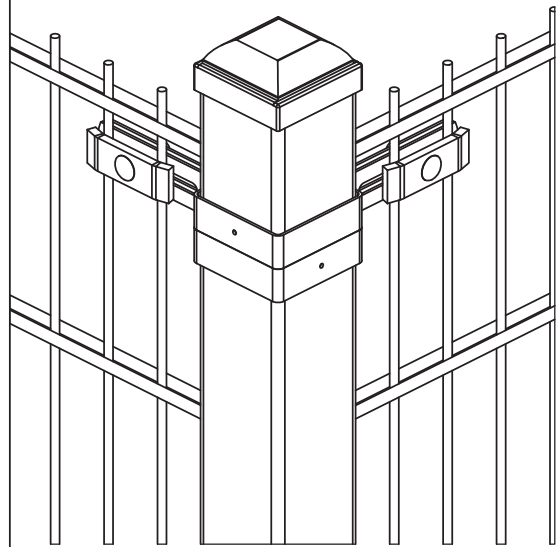
DETAIL A - LINE POST CONNECTION



DETAIL D - PANEL CONNECTION DETAIL

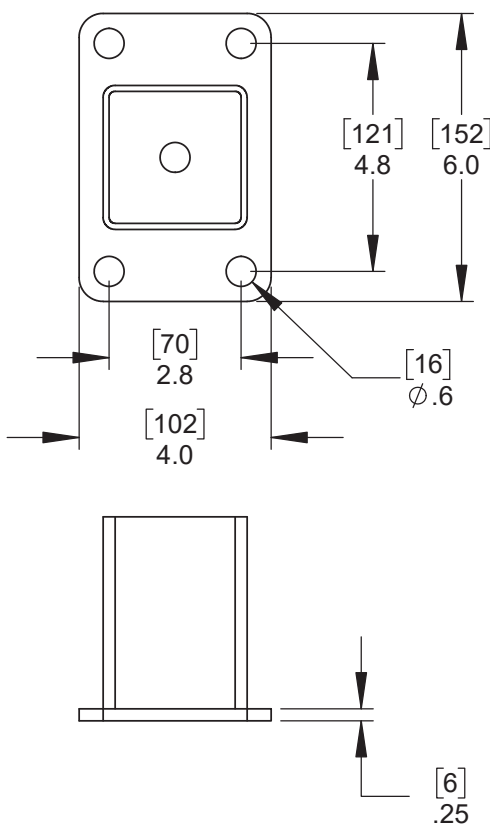


DETAIL B - CORNER POST CONNECTION

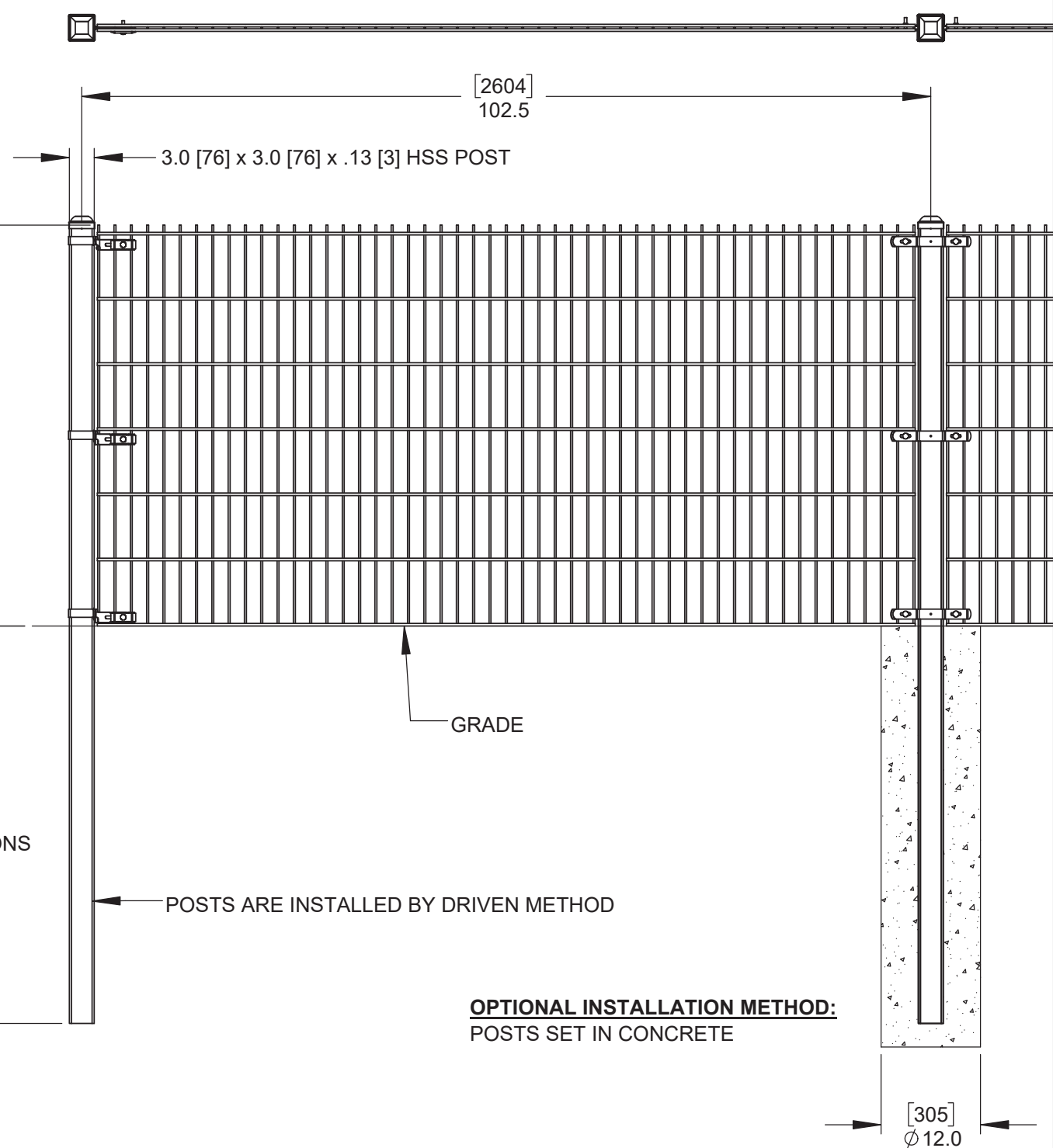
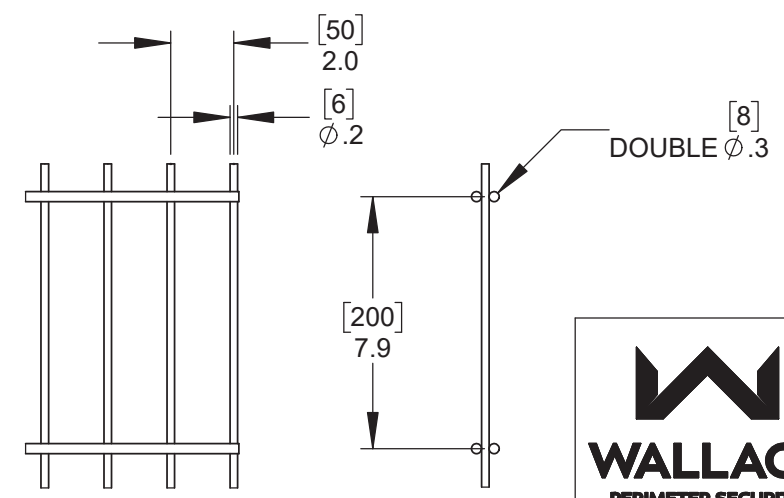


HEIGHT	BRACKET QTY.
4' [1.2]	3
6' [1.8]	4
8' [2.4]	5

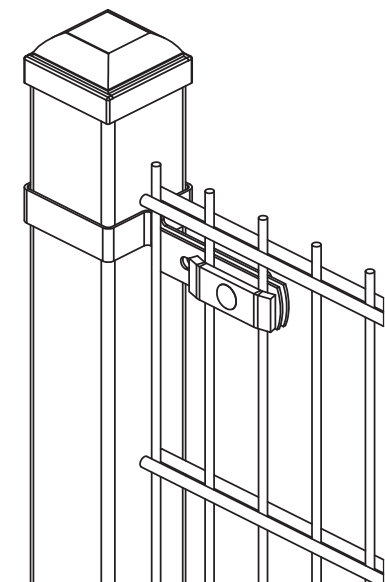
DETAIL E - OPTIONAL FLANGE POST



RAMPART 280



DETAIL C - END POST CONNECTION



DIMENSIONS ARE INCHES, DIMENSIONS SHOWN IN [] ARE IN MILLIMETERS

OPTIONAL INSTALLATION METHOD:
POSTS SET IN CONCRETE



115 Lowson Crescent
Winnipeg, Manitoba, Canada, R3P 1A6
Phone: 1-866-300-1110
Fax: 1-204-284-1868
Web: www.wallaceperimetersecurity.com

Description: RAMPART 280 WELDED WIRE FENCE 3.0 [76] x 3.0 [76] SQUARE POSTS		
Customer / Project Name:		
Finish: STANDARD: GALVANIZED OPTIONAL: POWDER COAT, BLACK	Date: 4/27/2022	
Drawing No. RAMPART 280S3	Rev. A	Sheet: 1 of 1