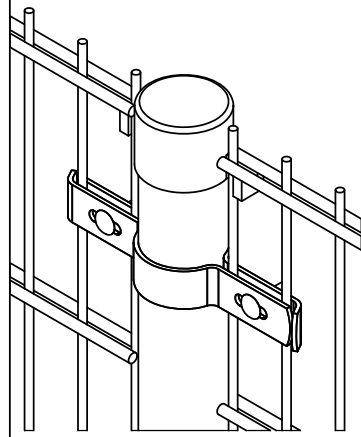
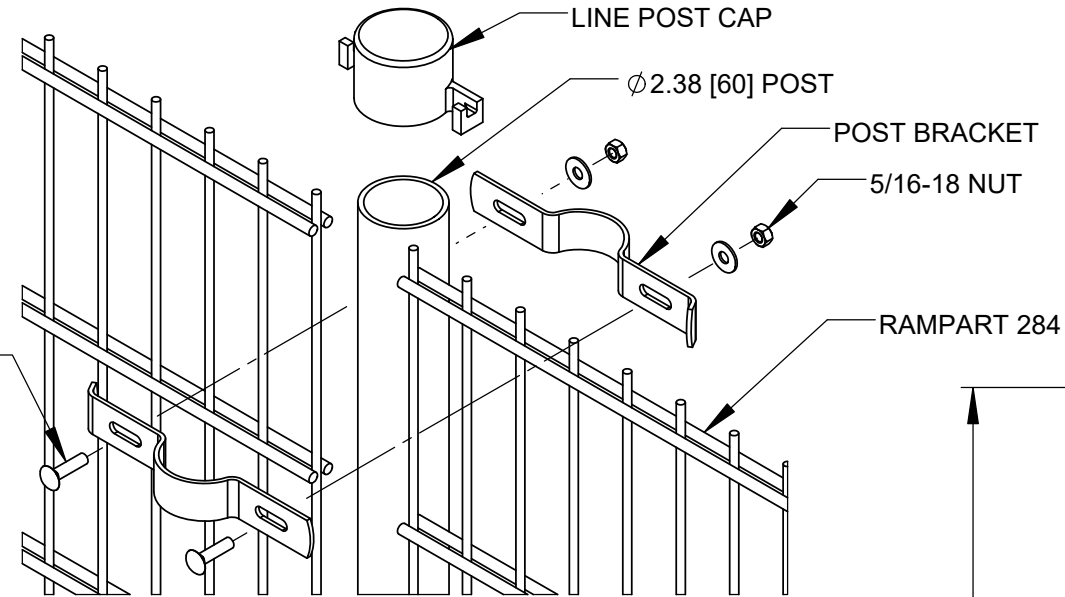


DETAIL A - LINE POST CONNECTION



5/16-18 x 1.5 [38]
CARRIAGE BOLT

DETAIL D - PANEL CONNECTION DETAIL (LINE POST SHOWN)



LINE POST CAP

Ø2.38 [60] POST

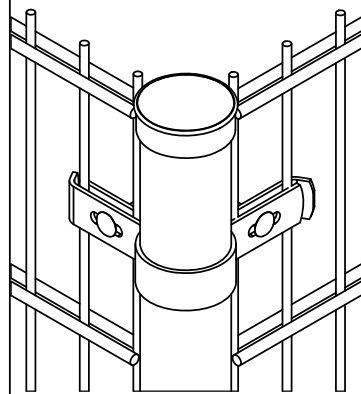
POST BRACKET

5/16-18 NUT

RAMPART 284

DIMENSIONS ARE IN INCHES, DIMENSIONS SHOWN IN [] ARE IN MILLIMETERS

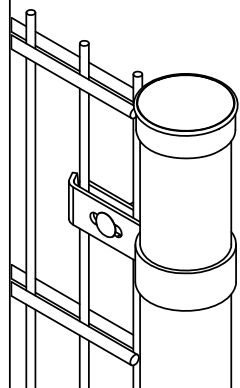
DETAIL B - CORNER POST CONNECTION



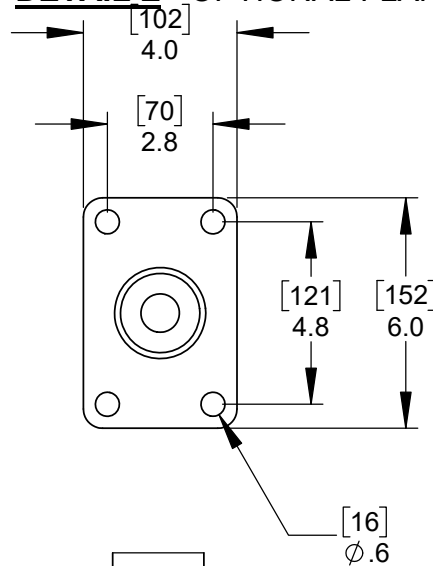
HEIGHT	BRACKET QTY.
4' [1.2]	3
6' [1.8]	4
8' [2.4]	5

HEIGHT
(SEE CHART)

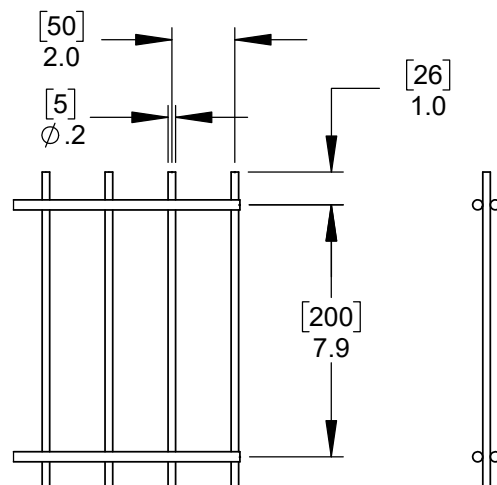
DETAIL C - END POST CONNECTION



DETAIL E - OPTIONAL FLANGE POST



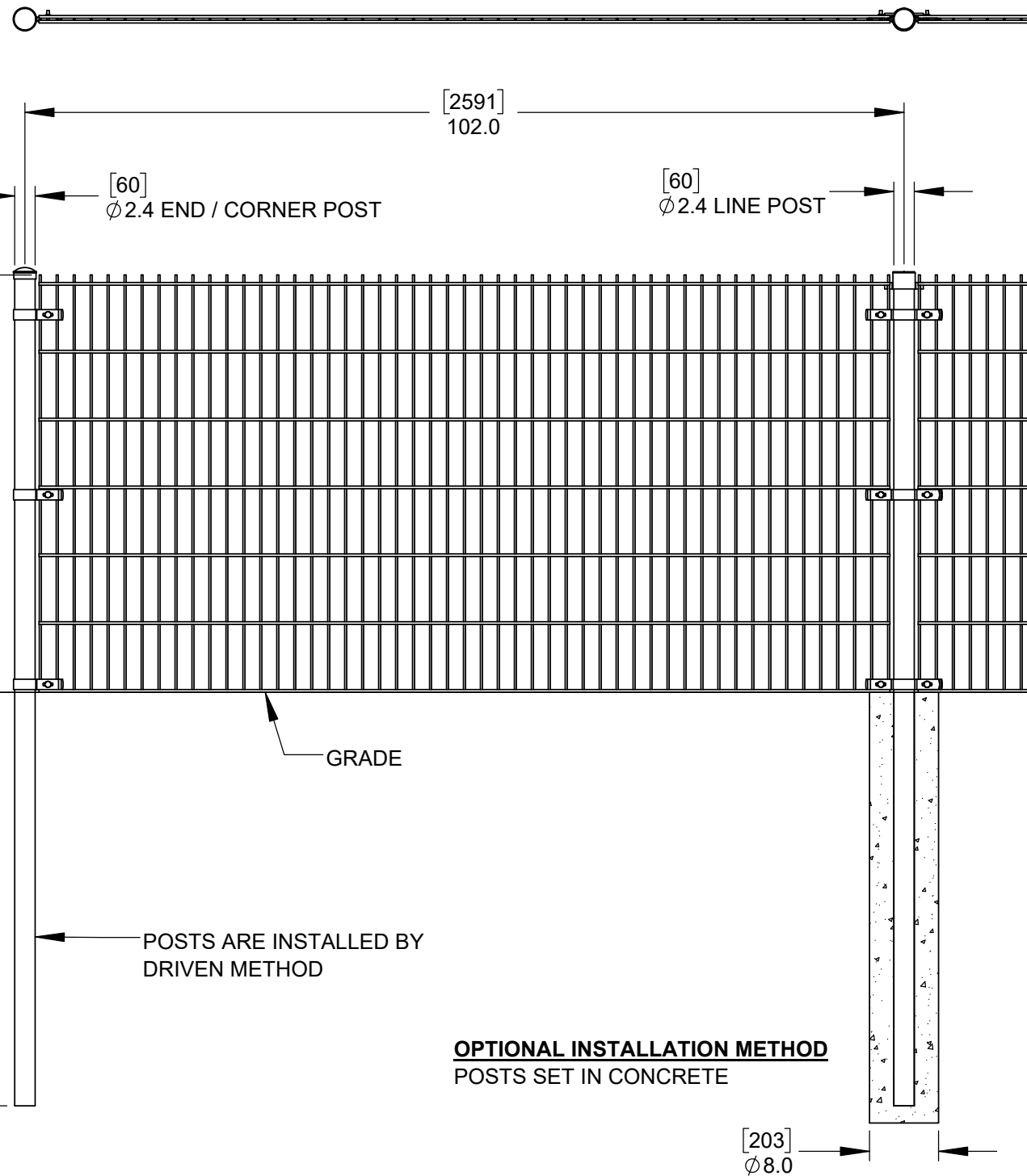
RAMPART 284



DOUBLE Ø.24



115 Lowson Crescent
Winnipeg, Manitoba, Canada, R3P 1A6
Phone: 1-866-300-1110
Fax: 1-204-284-1868
Web: www.wallaceperimetersecurity.com



OPTIONAL INSTALLATION METHOD
POSTS SET IN CONCRETE

Description:		
RAMPART 284 WELDED WIRE FENCE Ø2.375 [60] POSTS		
Customer / Project Name:		
Finish:	STANDARD: GALVANIZED OPTIONAL: POWDER COAT, BLACK	Date: 12/13/2019
Drawing No.	Rev.	Sheet: 1 of 1
RAMPART 284		

[6]
.25