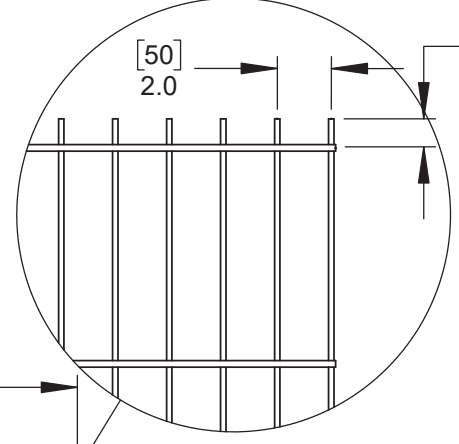
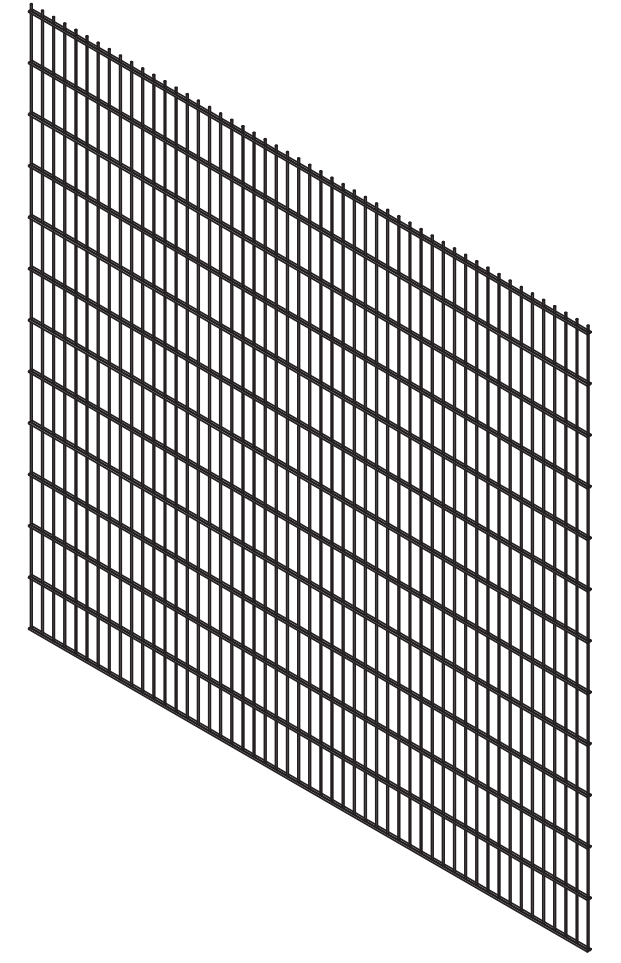
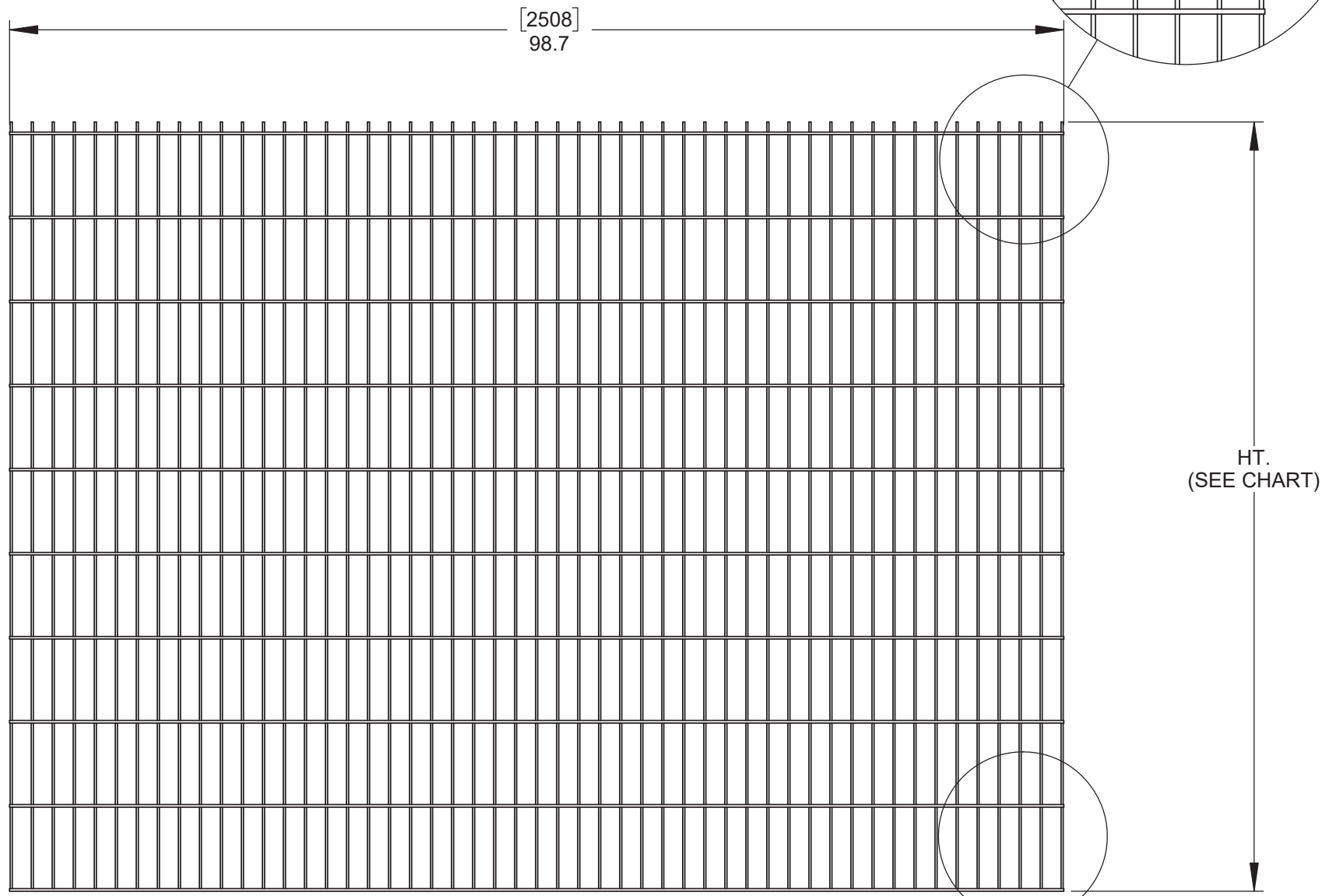
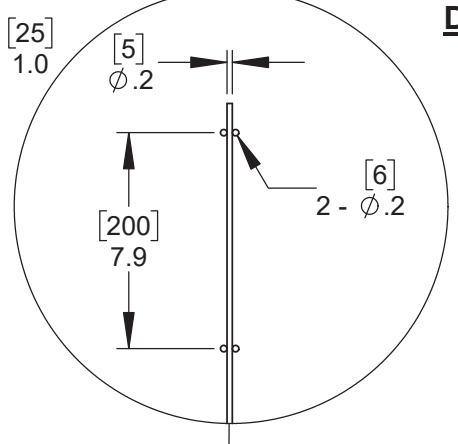


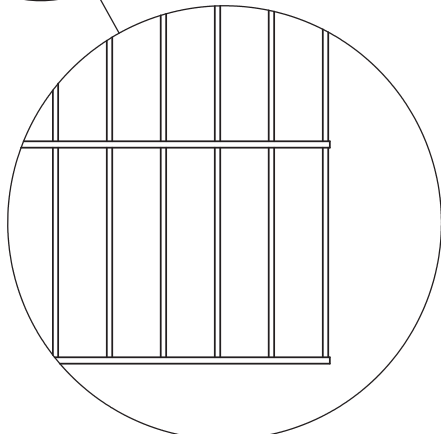
DETAIL A



DETAIL C



DETAIL B



	<u>HT.</u>
4' [1.2M]	48.4 [1230]
6' [1.8M]	72.0 [1830].
8' [2.4M]	95.7 [2430]



115 Lowson Crescent
 Winnipeg, Manitoba, Canada, R3P 1A6
 Phone: 1-866-300-1110
 Fax: 1-204-284-1868
 Web: www.wallaceperimetersecurity.com

Description:		RAMPART 284 - DOUBLE WIRE WELDED WIRE PANEL	
Material			
Finish:	HOT DIPPED GALVANIZED OPTIONAL POWDER COAT FINISH AVAILABLE	Date:	9/6/2018
Drawing No.	RAMPART 284	Rev.	Sheet: 1 of 1