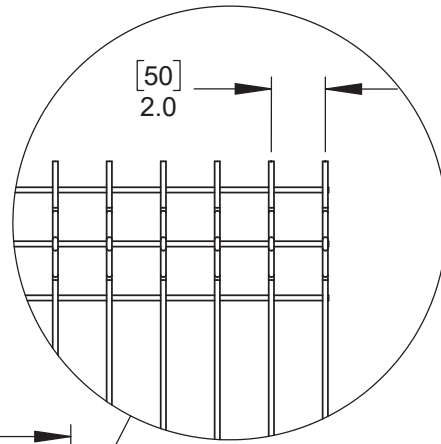
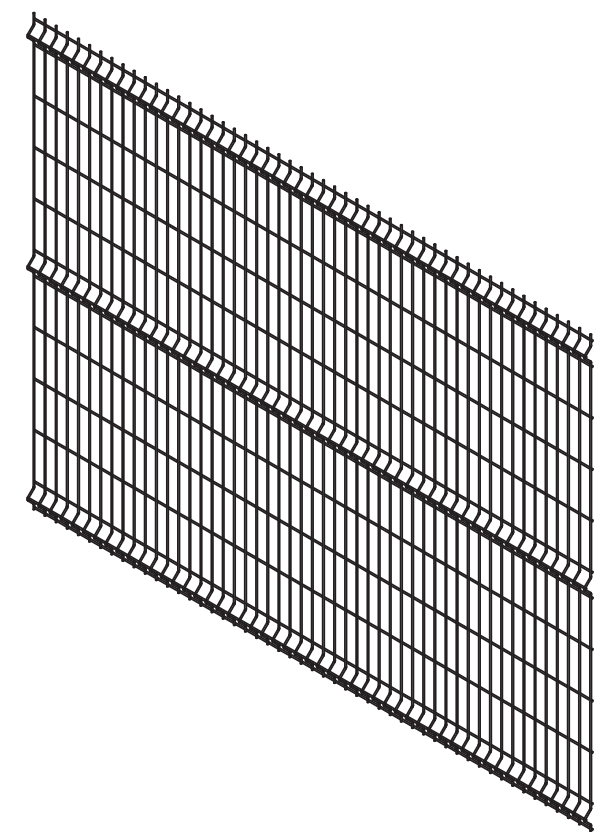
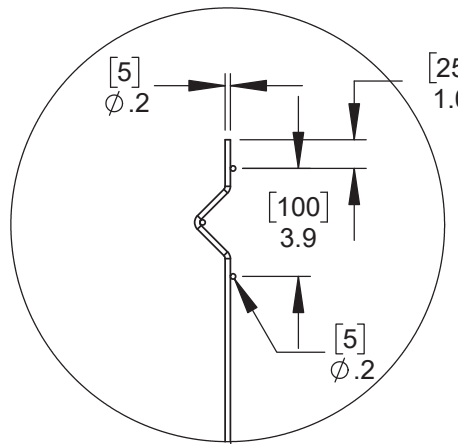


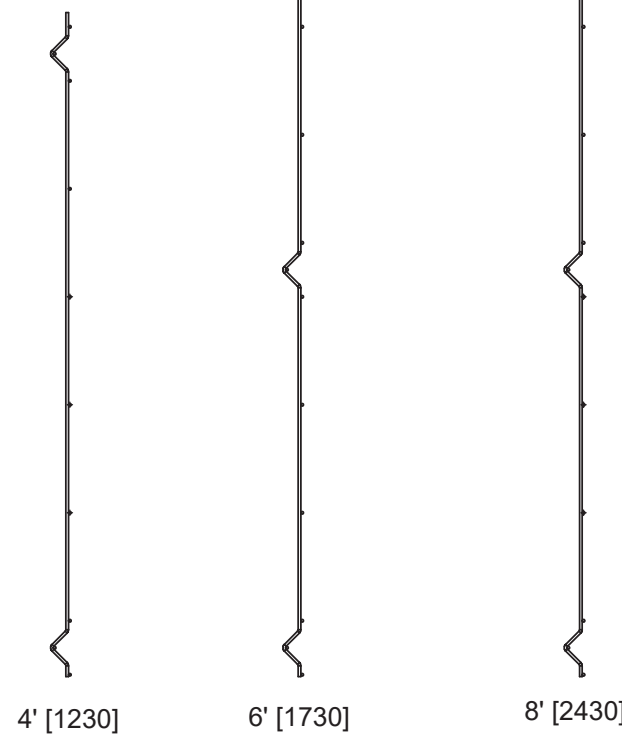
DETAIL A



DETAIL C

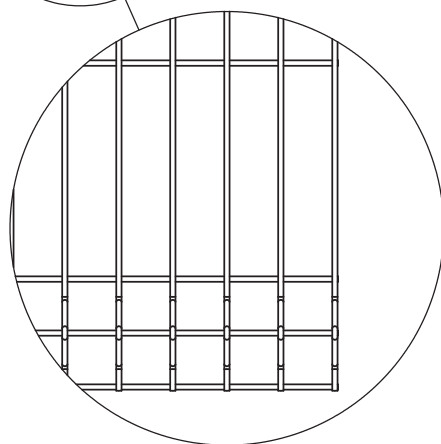


HT.
(SEE CHART)



	HT.
4' [1.2M]	48.4 [1230]
6' [1.8M]	68.1 [1730].
8' [2.4M]	95.7 [2430]

DETAIL B



Description:		RAMPART 286 - SINGLE WIRE WELDED WIRE PANEL	
Material			
Finish:	HOT DIPPED GALVANIZED OPTIONAL POWDER COAT FINISH AVAILABLE	Date:	9/5/2018
Drawing No.	RAMPART 286	Rev.	Sheet: 1 of 1


WALLACE
 PERIMETER SECURITY

115 Lawson Crescent
 Winnipeg, Manitoba, Canada, R3P 1A6
 Phone: 1-866-300-1110
 Fax: 1-204-284-1868
 Web: www.wallaceperimetersecurity.com