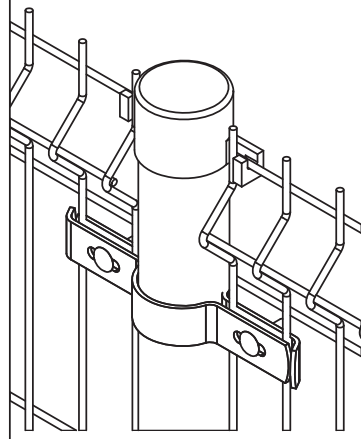
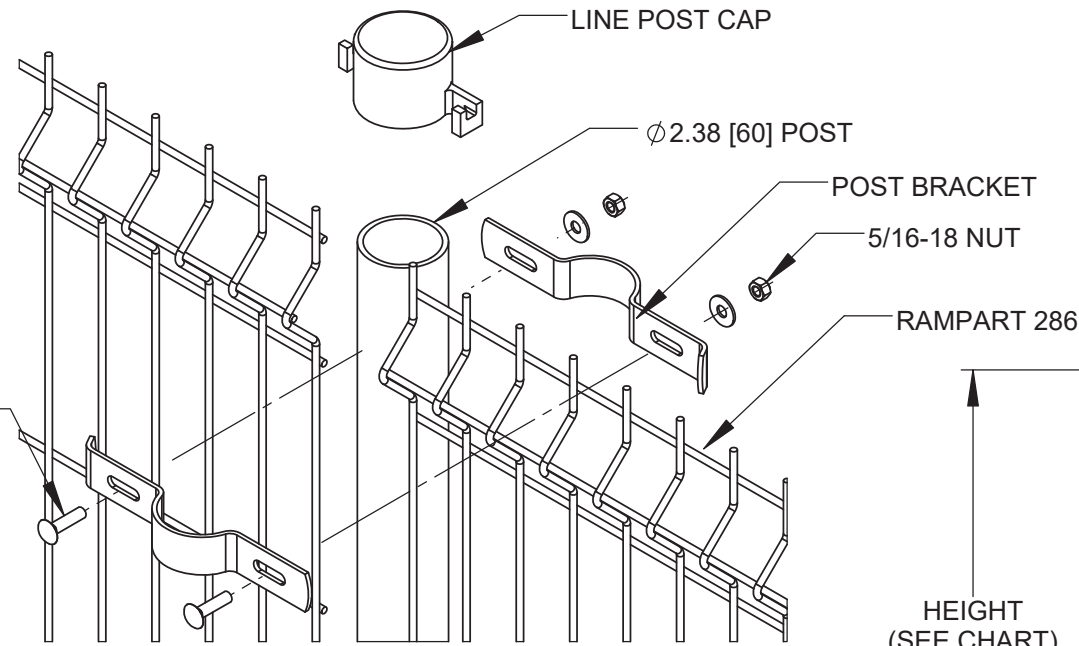


DETAIL A - LINE POST CONNECTION



5/16-18 x 1.5 [38]
CARRIAGE BOLT

DETAIL D - PANEL CONNECTION DETAIL (LINE POST SHOWN)



LINE POST CAP

Ø 2.38 [60] POST

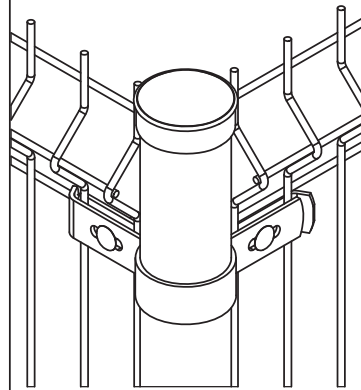
POST BRACKET

5/16-18 NUT

RAMPART 286

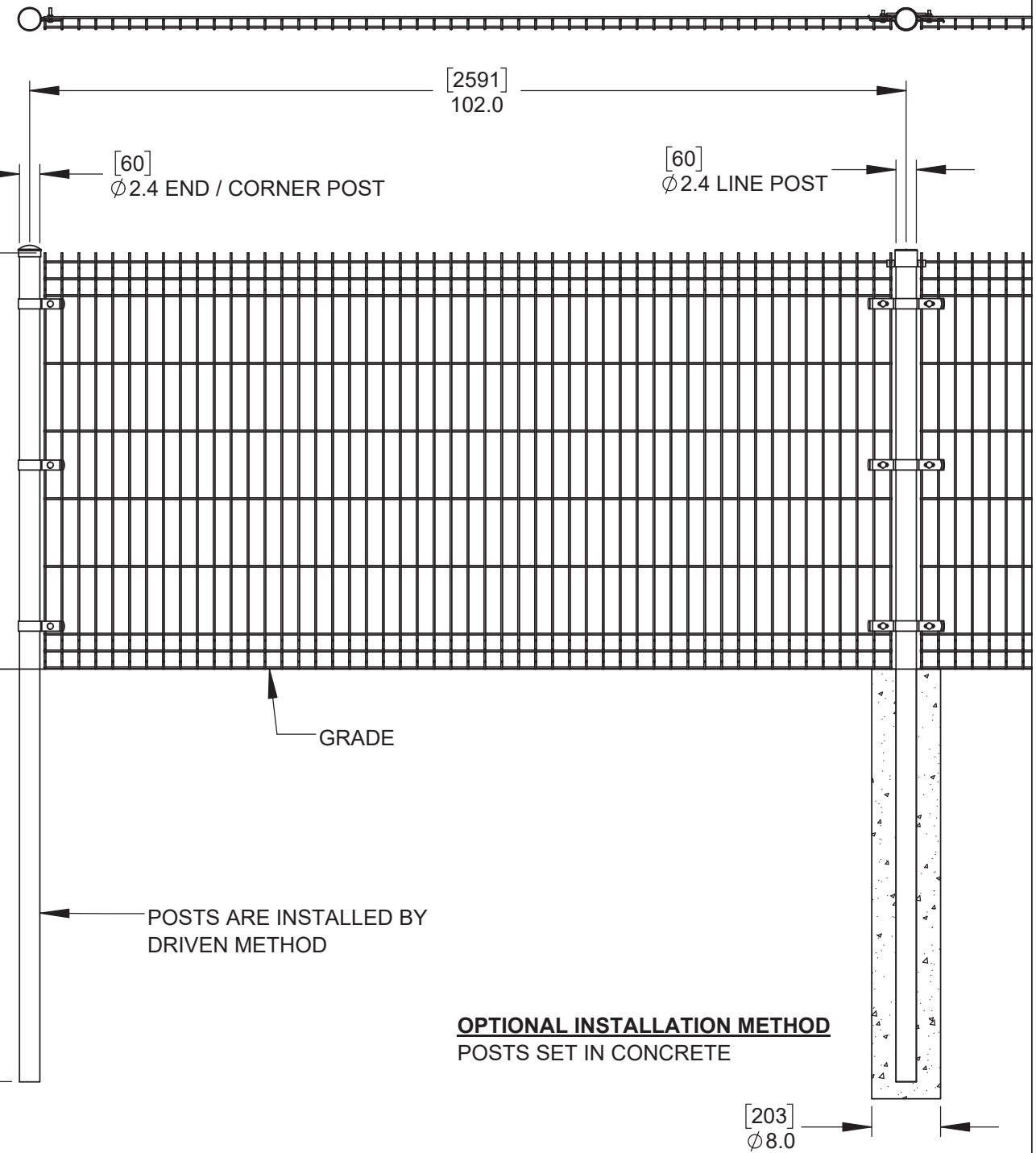
DIMENSIONS ARE IN INCHES, DIMENSIONS SHOWN IN [] ARE IN MILLIMETERS

DETAIL B - CORNER POST CONNECTION



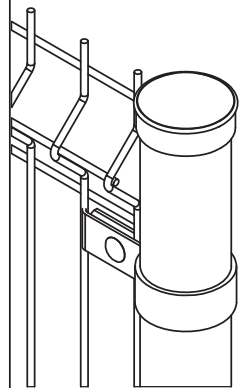
HEIGHT	BRACKET QTY.
4' [1.2]	3
6' [1.8]	4
8' [2.4]	5

HEIGHT
(SEE CHART)

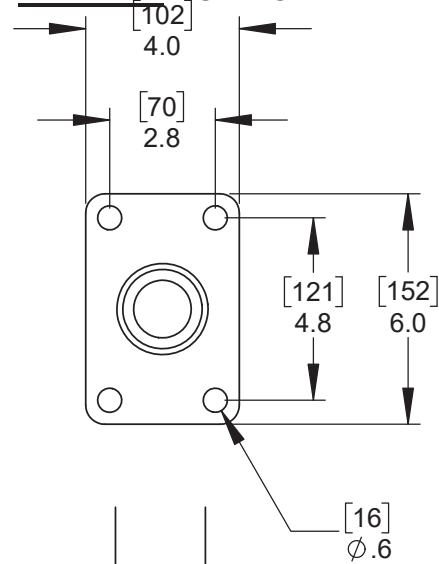


OPTIONAL INSTALLATION METHOD
POSTS SET IN CONCRETE

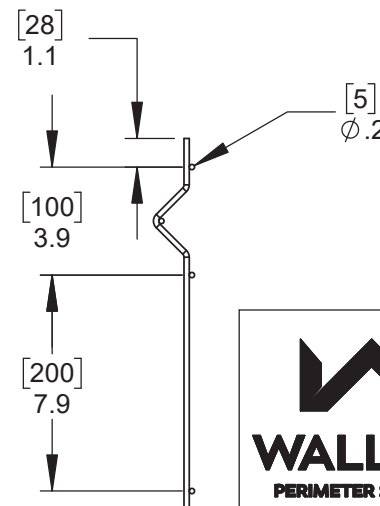
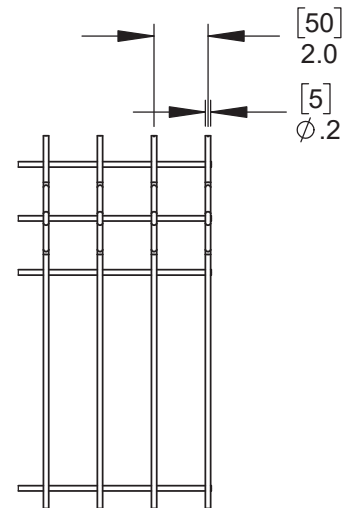
DETAIL C - END POST CONNECTION



DETAIL E - OPTIONAL FLANGE POST



RAMPART 286



[6]
.25



115 Lawson Crescent
Winnipeg, Manitoba, Canada, R3P 1A6
Phone: 1-866-300-1110
Fax: 1-204-284-1868
Web: www.wallaceperimetersecurity.com

Description: RAMPART 286 WELDED WIRE FENCE Ø 2.375 [60] POSTS		
Customer / Project Name:		
Finish: POWDER COAT, BLACK	Rev. A	Date: 4/27/2022
Drawing No. RAMPART 286	Sheet: 1 of 1	