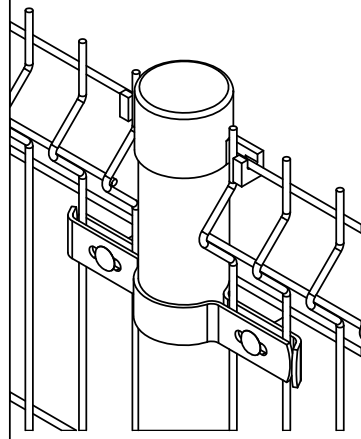
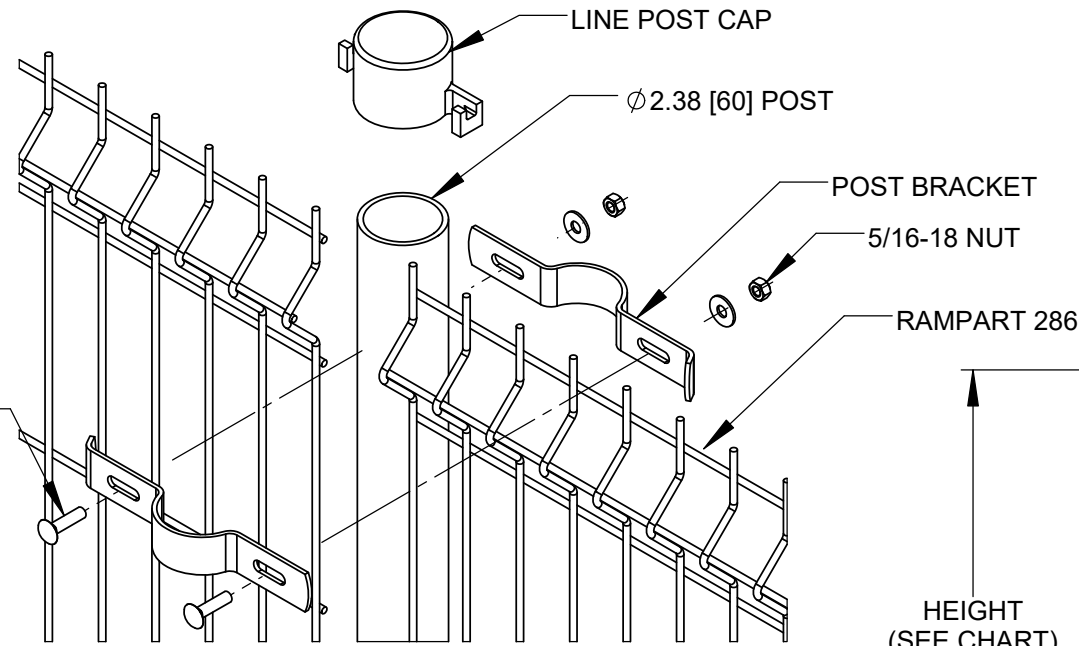


DETAIL A - LINE POST CONNECTION



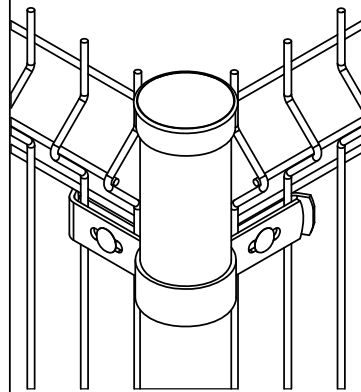
5/16-18 x 1.5 [38]
CARRIAGE BOLT

DETAIL D - PANEL CONNECTION DETAIL (LINE POST SHOWN)



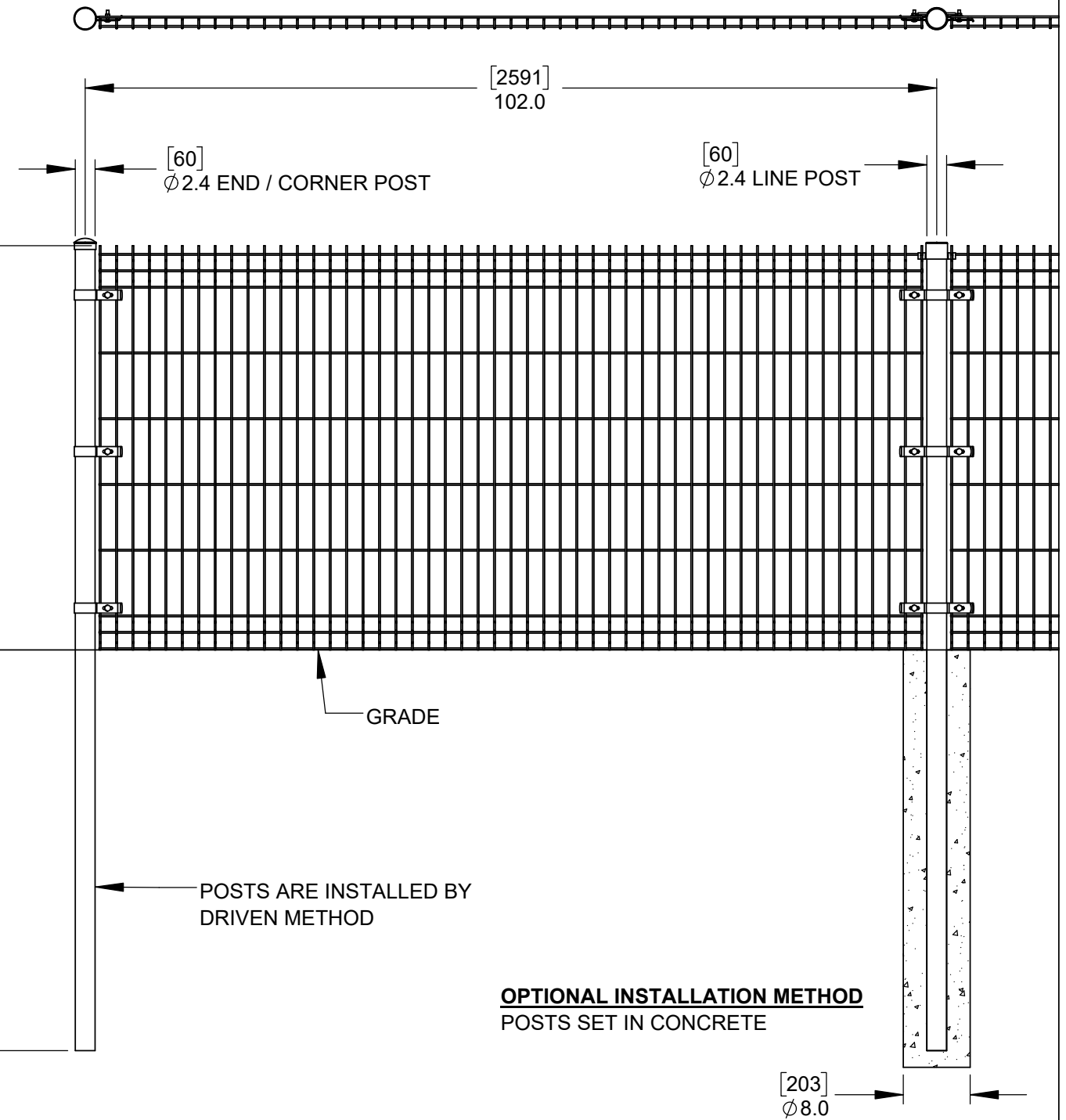
DIMENSIONS ARE IN INCHES, DIMENSIONS SHOWN IN [] ARE IN MILLIMETERS

DETAIL B - CORNER POST CONNECTION

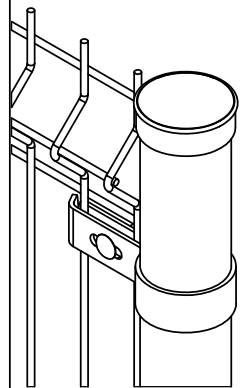


HEIGHT	BRACKET QTY.
4' [1.2]	3
6' [1.8]	4
8' [2.4]	5

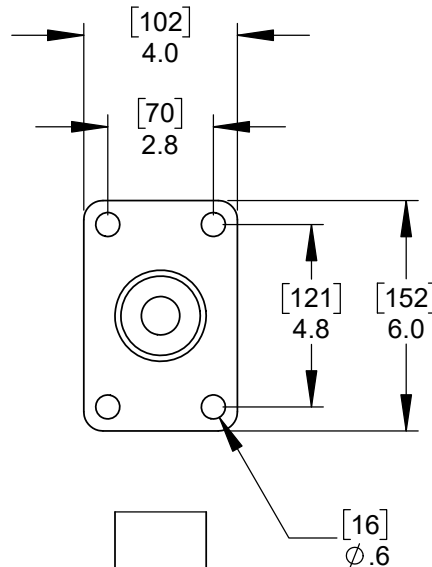
HEIGHT
(SEE CHART)



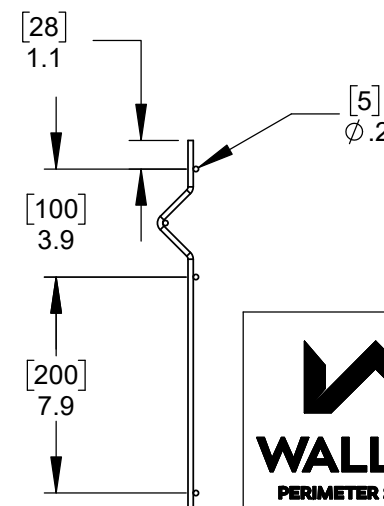
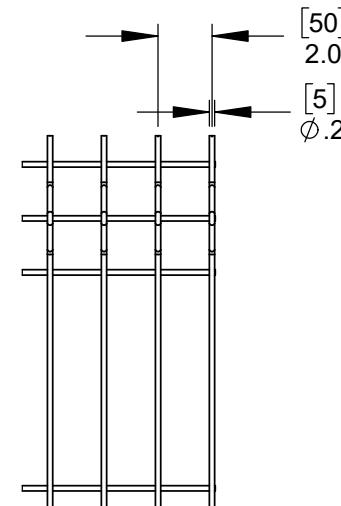
DETAIL C - END POST CONNECTION



DETAIL E - OPTIONAL FLANGE POST



RAMPART 286



[6]
.25



115 Lowson Crescent
 Winnipeg, Manitoba, Canada, R3P 1A6
 Phone: 1-866-300-1110
 Fax: 1-204-284-1868
 Web: www.wallaceperimetersecurity.com

Description: RAMPART 286 WELDED WIRE FENCE ϕ2.375 [60] POSTS		
Customer / Project Name:		
Finish: STANDARD: GALVANIZED OPTIONAL: POWDER COAT, BLACK	Date: 12/13/2019	
Drawing No. RAMPART 286	Rev.	Sheet: 1 of 1