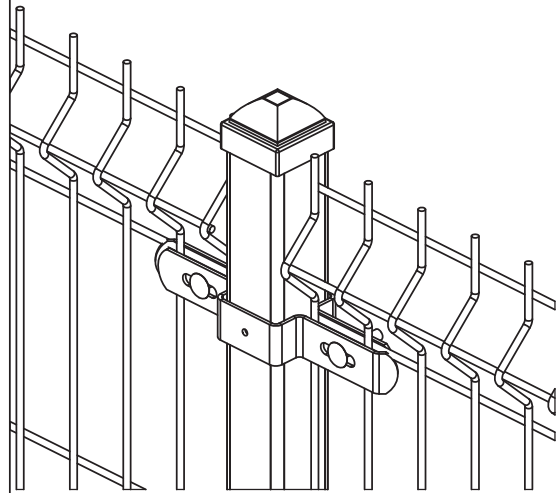
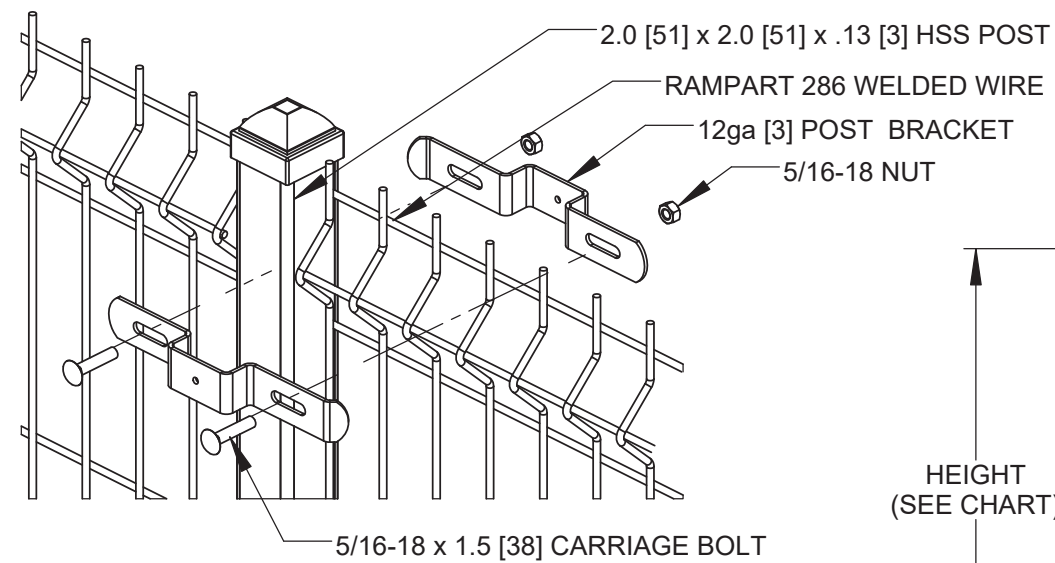


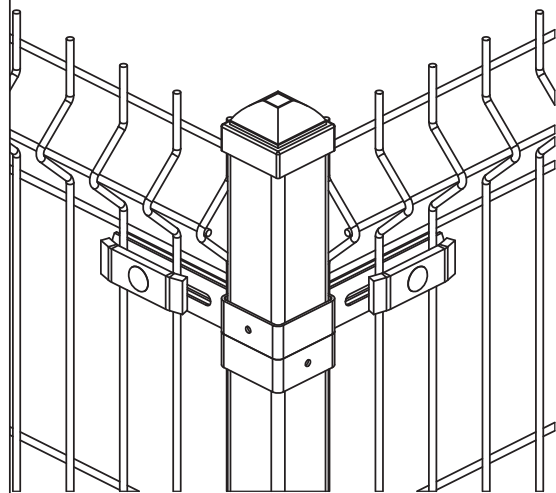
DETAIL A - LINE POST CONNECTION



DETAIL D - PANEL CONNECTION DETAIL

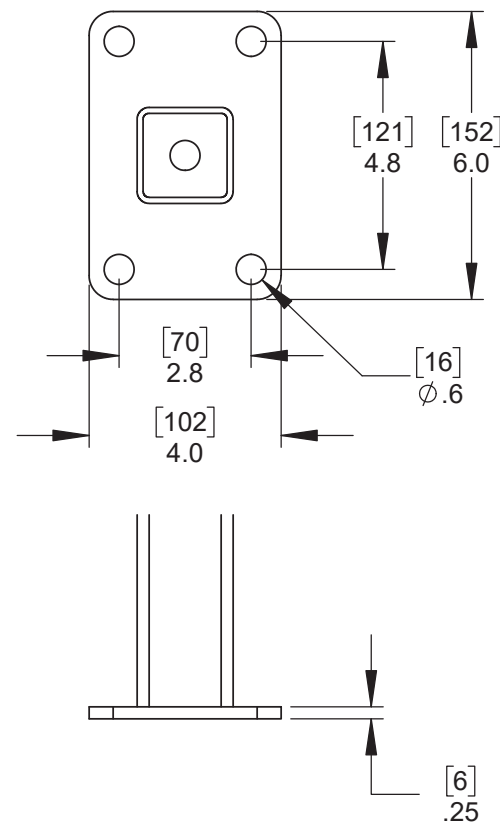


DETAIL B - CORNER POST CONNECTION

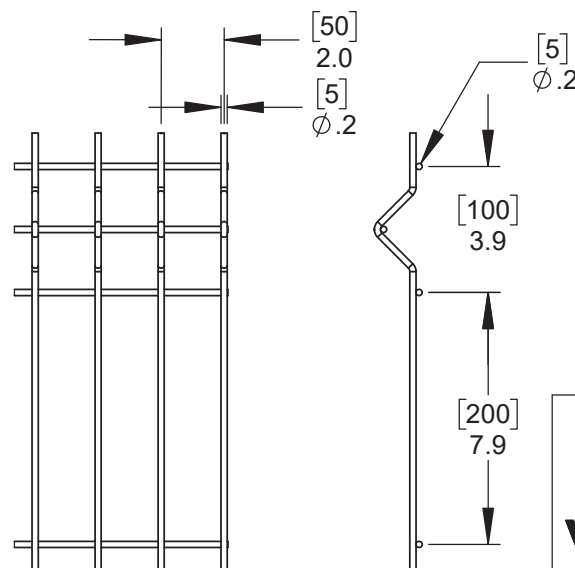


HEIGHT	BRACKET QTY.
4' [1.2]	3
6' [1.8]	4
8' [2.4]	5

DETAIL E - OPTIONAL FLANGE POST

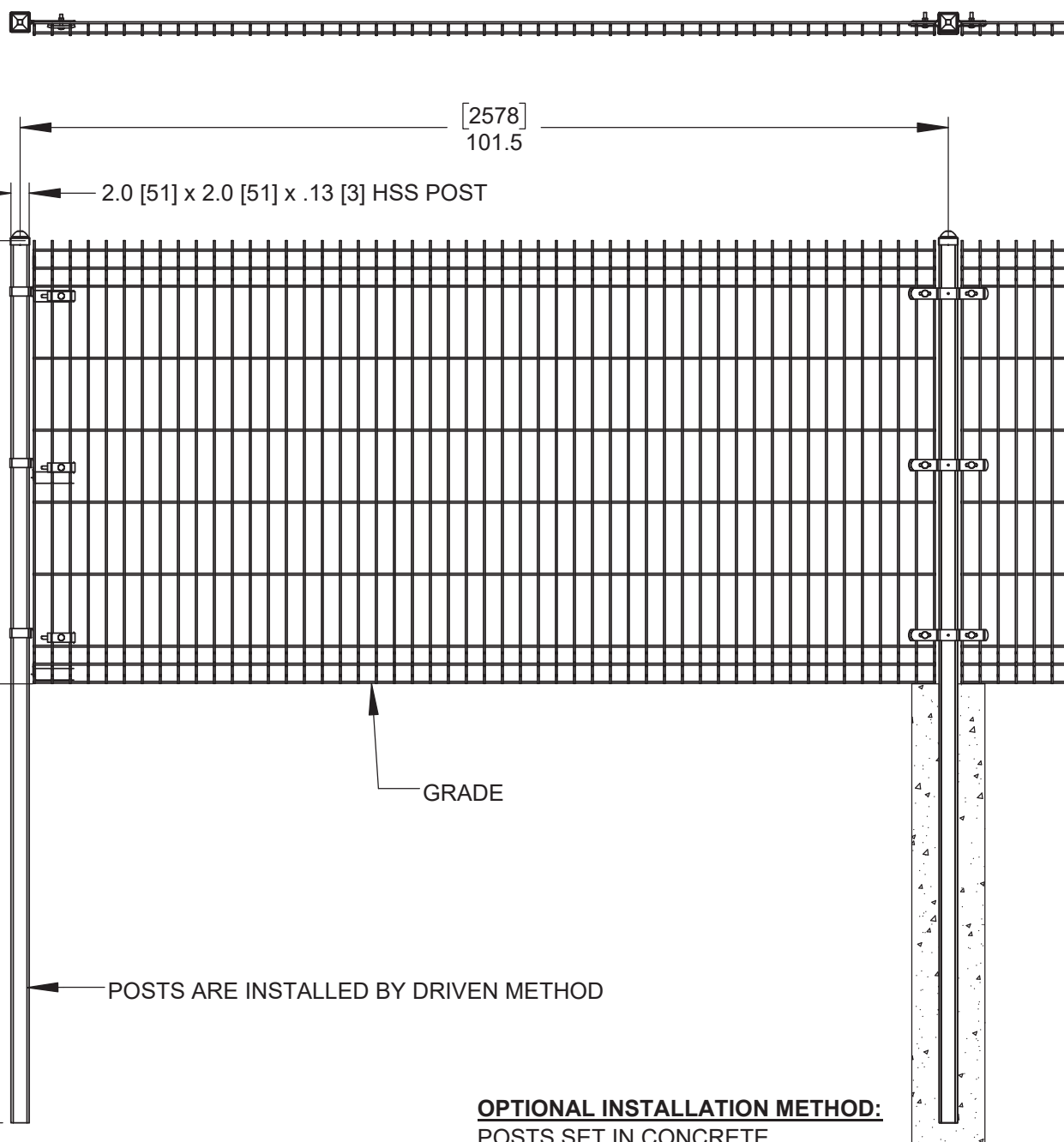


RAMPART 286



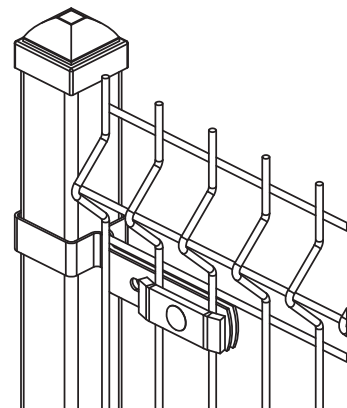
HEIGHT
(SEE CHART)

36.0
POST DEPTH
TO SUIT SITE CONDITIONS



OPTIONAL INSTALLATION METHOD:
POSTS SET IN CONCRETE

DETAIL C - END POST CONNECTION



DIMENSIONS ARE INCHES, DIMENSIONS SHOWN IN [] ARE IN MILLIMETERS



115 Lowson Crescent
 Winnipeg, Manitoba, Canada, R3P 1A6
 Phone: 1-866-300-1110
 Fax: 1-204-284-1868
 Web: www.wallaceperimetersecurity.com

Description: RAMPART 286 WELDED WIRE FENCE 2.0 [51] x 2.0 [51] SQUARE POSTS		
Customer / Project Name:		
Finish: POWDER COAT, BLACK	Date: 7/10/2024	
Drawing No. RAMPART 286S2	Rev. B	Sheet: 1 of 1