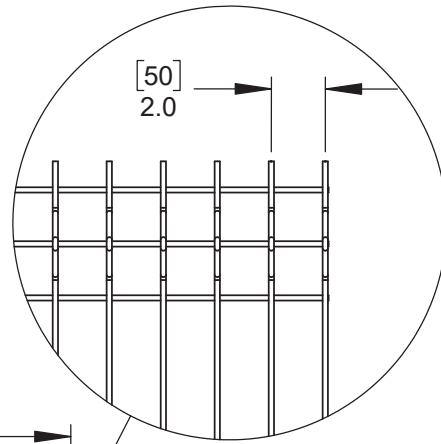
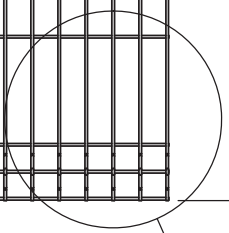
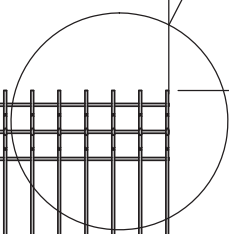
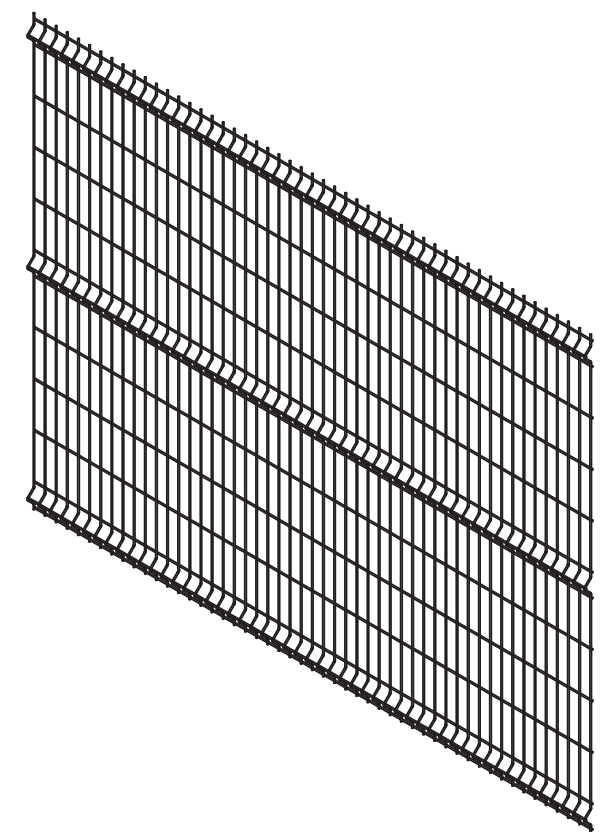
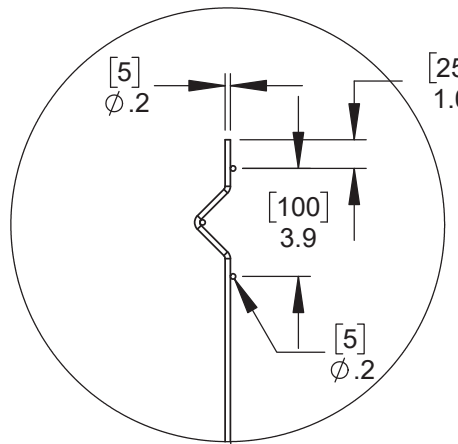


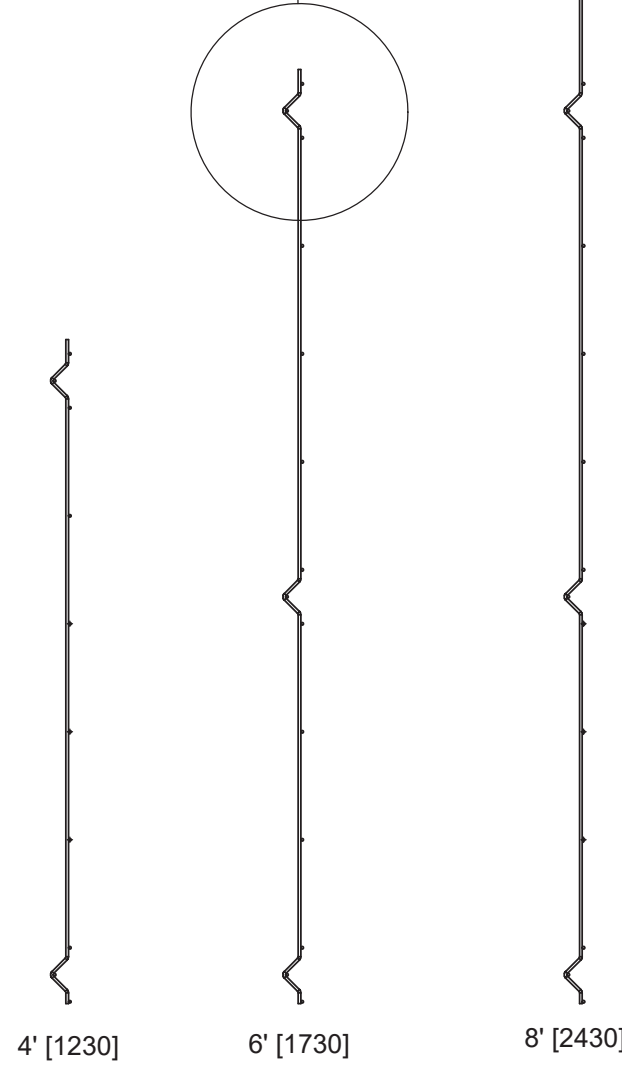
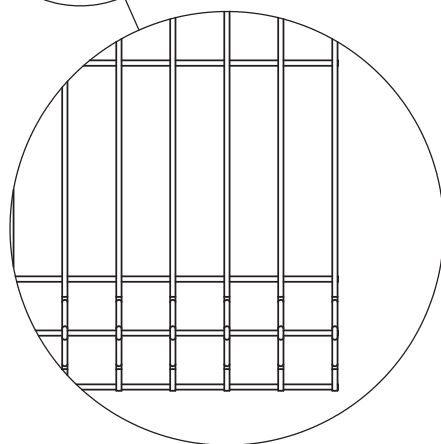
**DETAIL A**



**DETAIL C**



**DETAIL B**



	HT.
4' [1.2M]	48.4 [1230]
6' [1.8M]	68.1 [1730].
8' [2.4M]	95.7 [2430]

Description:		<b>RAMPART 286 - SINGLE WIRE</b>	
		WELDED WIRE PANEL	
Material			
Finish:		POWDER COAT BLACK	Date: 11/6/2019
Drawing No.		<b>RAMPART 286</b>	Rev.
			Sheet: 1 of 1

  
**WALLACE**  
 PERIMETER SECURITY  
 115 Lawson Crescent  
 Winnipeg, Manitoba, Canada, R3P 1A6  
 Phone: 1-866-300-1110  
 Fax: 1-204-284-1868  
 Web: www.wallaceperimetersecurity.com