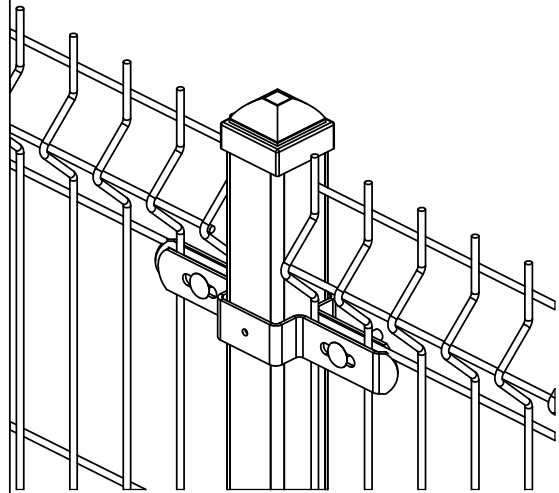
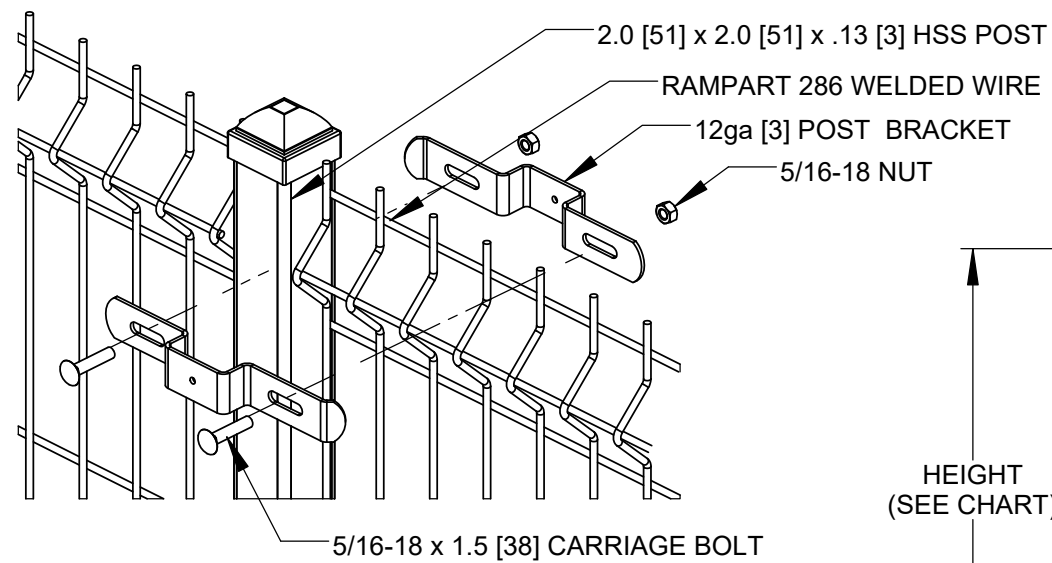


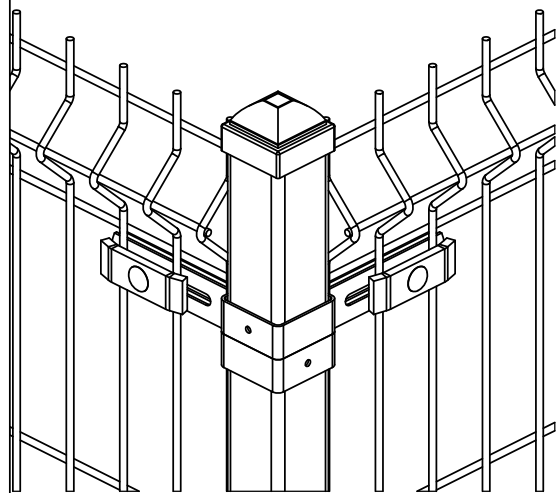
**DETAIL A - LINE POST CONNECTION**



**DETAIL D - PANEL CONNECTION DETAIL**

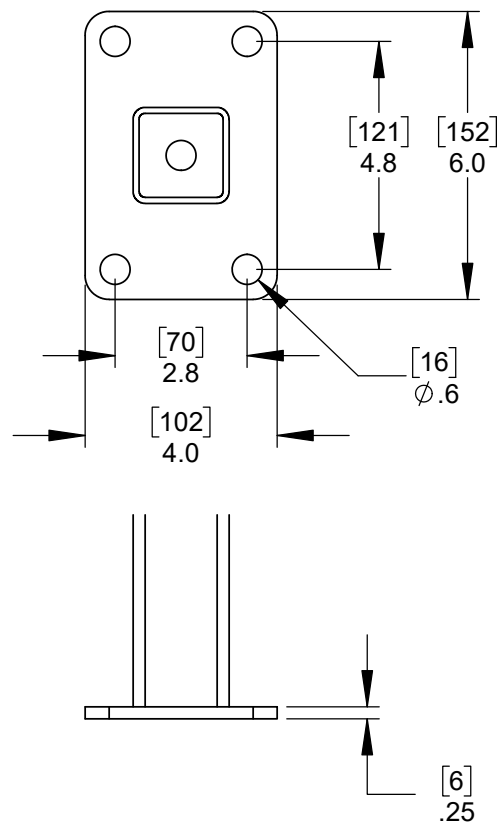


**DETAIL B - CORNER POST CONNECTION**

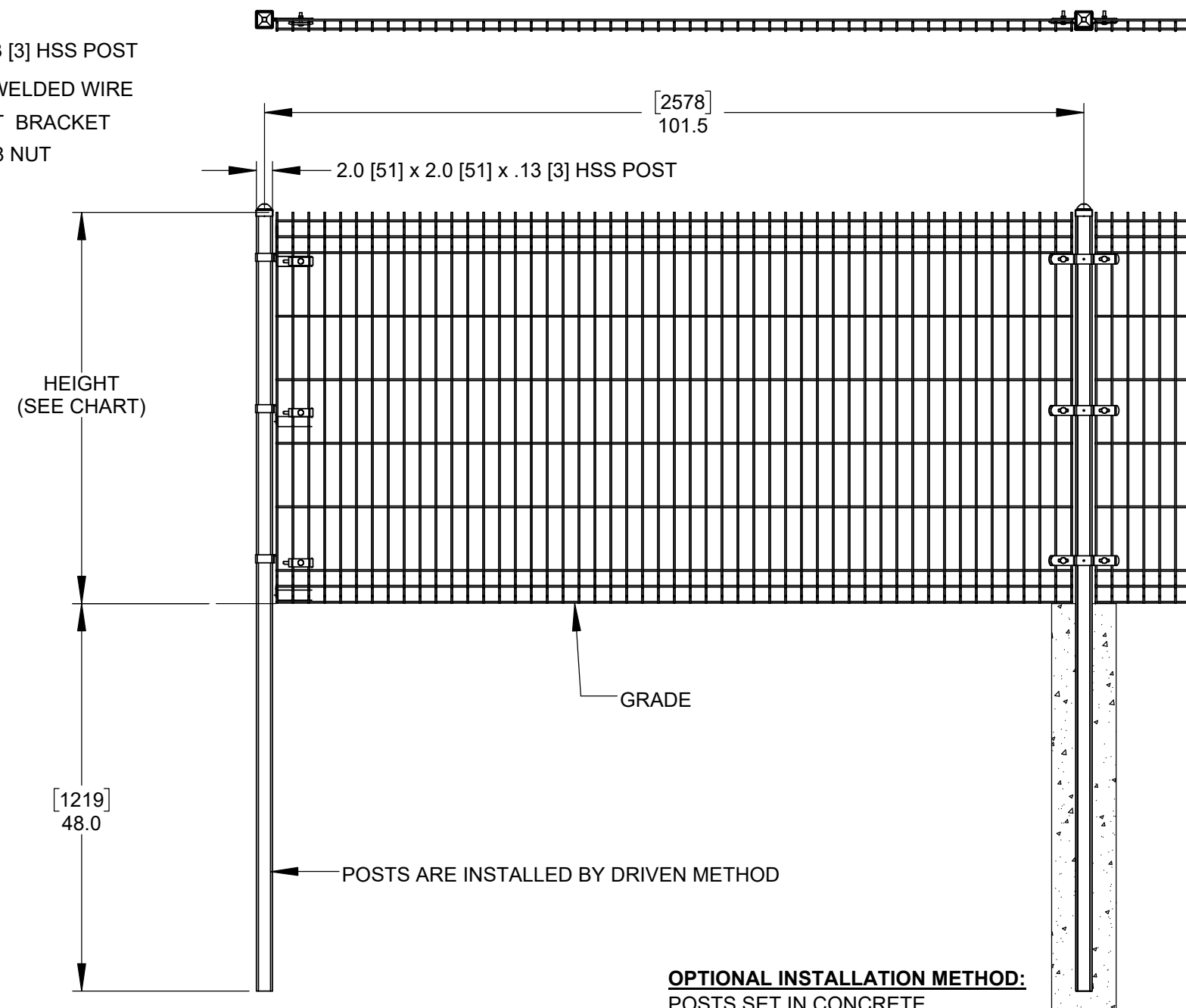
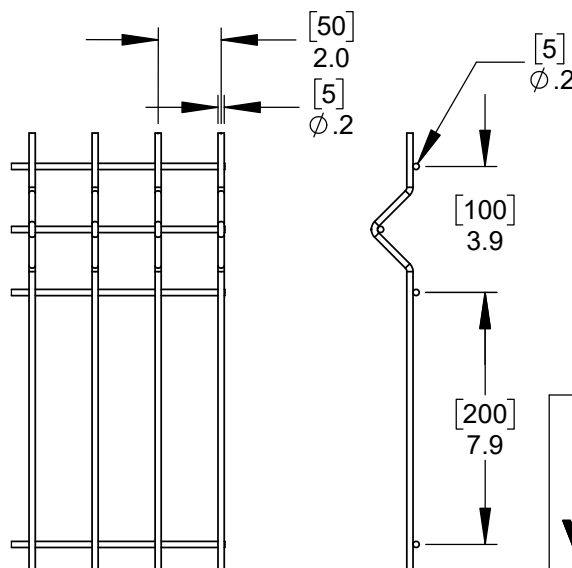


HEIGHT	BRACKET QTY.
4' [1.2]	3
6' [1.8]	4
8' [2.4]	5

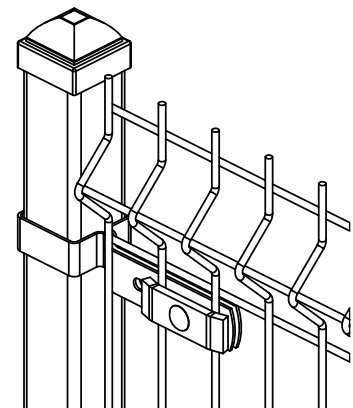
**DETAIL E - OPTIONAL FLANGE POST**



**RAMPART 286**



**DETAIL C - END POST CONNECTION**



DIMENSIONS ARE INCHES, DIMENSIONS SHOWN IN [ ] ARE IN MILLIMETERS

115 Lowson Crescent  
Winnipeg, Manitoba, Canada, R3P 1A6  
Phone: 1-866-300-1110  
Fax: 1-204-284-1868  
Web: www.wallaceperimetersecurity.com

Description:		
<b>RAMPART 286 WELDED WIRE FENCE 2.0 [51] x 2.0 [51] SQUARE POSTS</b>		
Customer / Project Name:		
Finish:	STANDARD: GALVANIZED OPTIONAL: POWDER COAT, BLACK	Date: 10/7/2020
Drawing No.	<b>RAMPART 286S2</b>	Rev.
		Sheet: 1 of 1