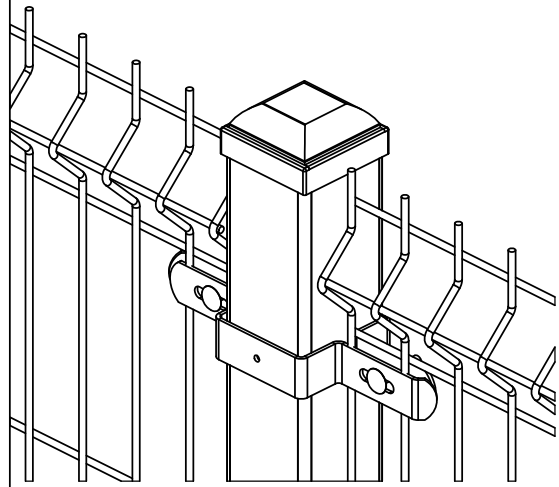
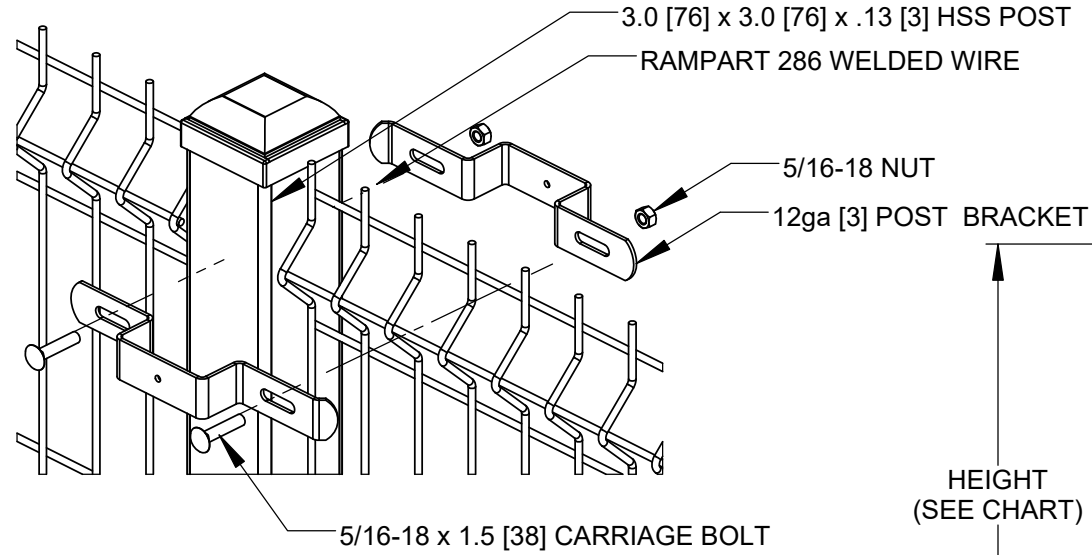


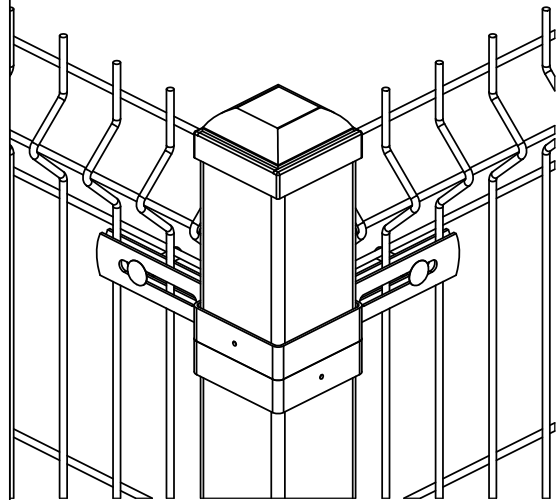
**DETAIL A - LINE POST CONNECTION**



**DETAIL D - PANEL CONNECTION DETAIL**

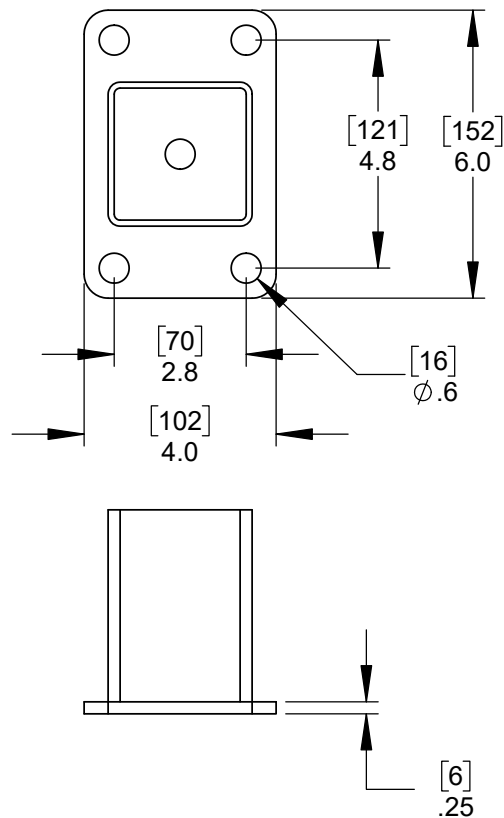


**DETAIL B - CORNER POST CONNECTION**

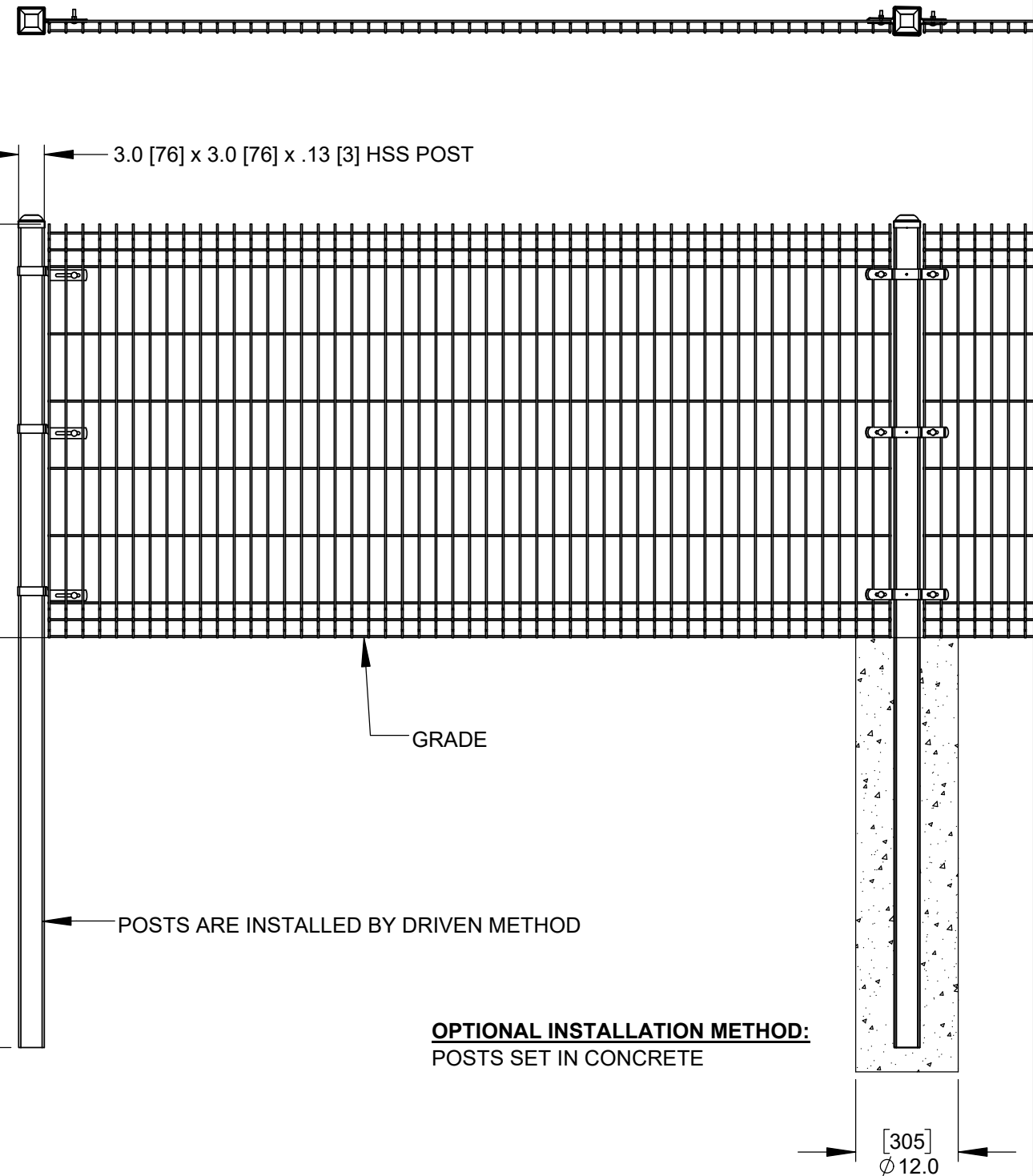
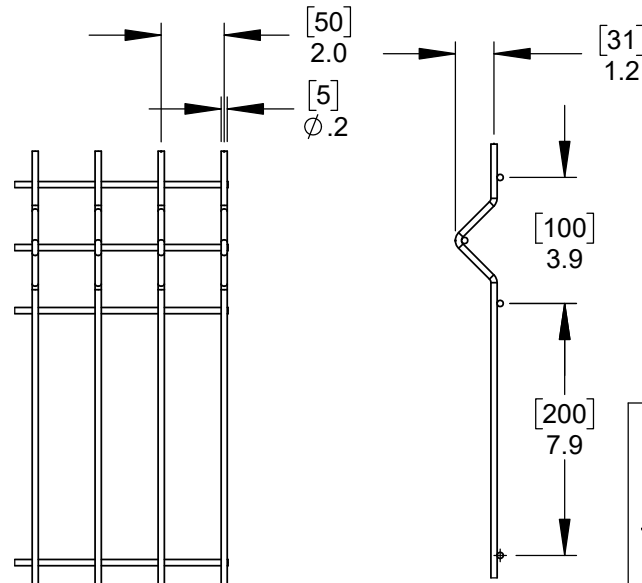


HEIGHT	BRACKET QTY.
4' [1.2]	3
6' [1.8]	4
8' [2.4]	5

**DETAIL E - OPTIONAL FLANGE POST**

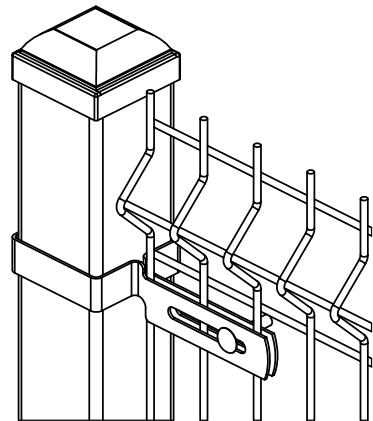


**RAMPART 286**



**OPTIONAL INSTALLATION METHOD:**  
 POSTS SET IN CONCRETE

**DETAIL C - END POST CONNECTION**



DIMENSIONS ARE INCHES, DIMENSIONS SHOWN IN [ ] ARE IN MILLIMETERS

**WALLACE PERIMETER SECURITY**  
 115 Lowson Crescent  
 Winnipeg, Manitoba, Canada, R3P 1A6  
 Phone: 1-866-300-1110  
 Fax: 1-204-284-1868  
 Web: www.wallaceperimetersecurity.com

Description: <b>RAMPART 286 WELDED WIRE FENCE</b> 3.0 [76] x 3.0 [76] SQUARE POSTS		
Customer / Project Name:		
Finish: STANDARD: GALVANIZED OPTIONAL: POWDER COAT, BLACK	Date: 7/26/2022	
Drawing No. <b>RAMPART 286S3</b>	Rev. <b>A</b>	Sheet: 1 of 1