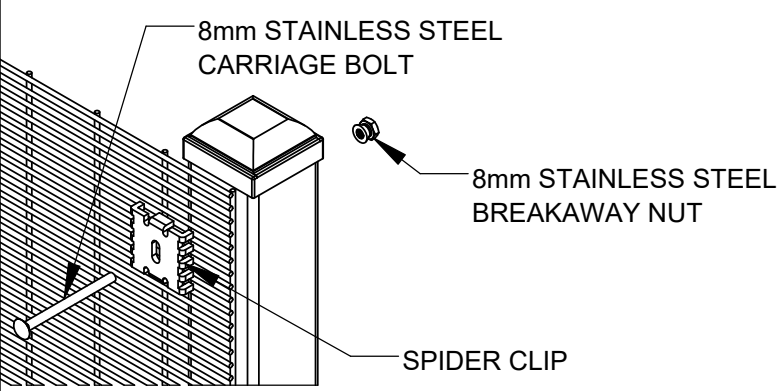
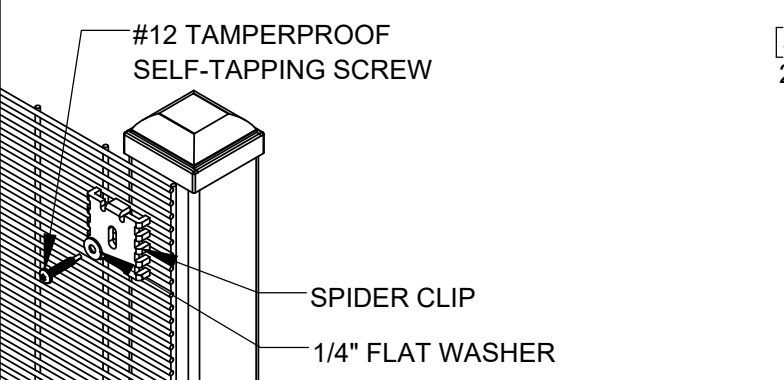


DETAIL A1 - STANDARD MOUNTING DETAIL



DETAIL A2 - OPTIONAL MOUNTING DETAIL



[51]
2.0

CONCRETE FOOTING

DRIVEN METHOD

[6]
.25
FLANGE MOUNT OPTION

FOOTING DIAMETER AND DEPTH ARE DEPENDENT ON SITE CONDITIONS

	PANEL HEIGHT	# OF CLIPS / POST
4' [1.2M]	48.7 [1236]	4
6' [1.8M]	72.2 [1833]	6
8' [2.4M]	95.7 [2430]	9

Description: INSTALLATION DETAIL RAMPART 354 / 358		
Customer / Project Name:		
Finish:	Date: 7/13/2020	
Drawing No. RAMPART 354-358 INSTALL	Rev. A	Sheet: 1 of 1

115 Lowson Crescent
Winnipeg, Manitoba, Canada, R3P 1A6
Phone: 1-866-300-1110
Fax: 1-204-284-1868
Web: www.wallaceperimetersecurity.com