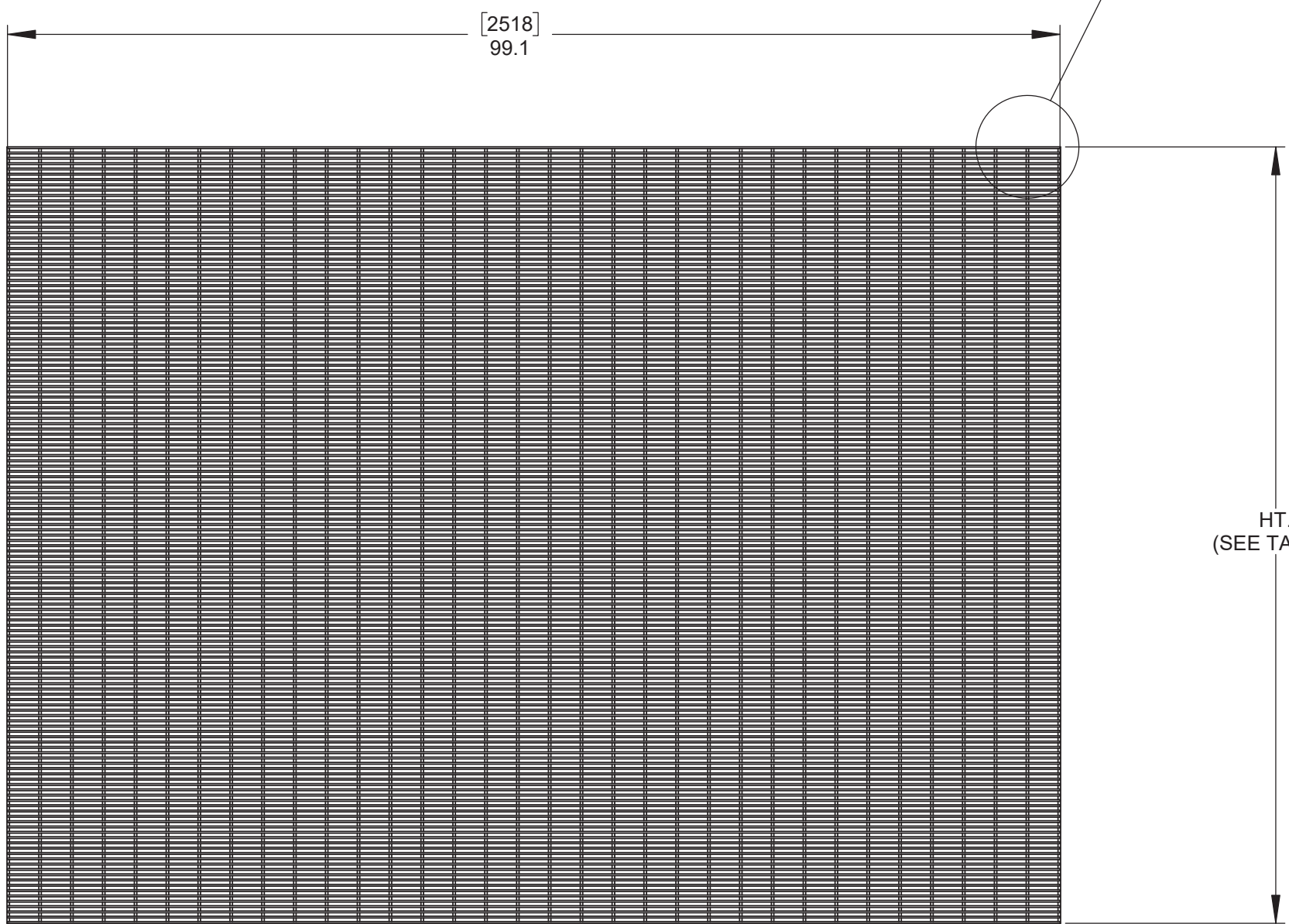
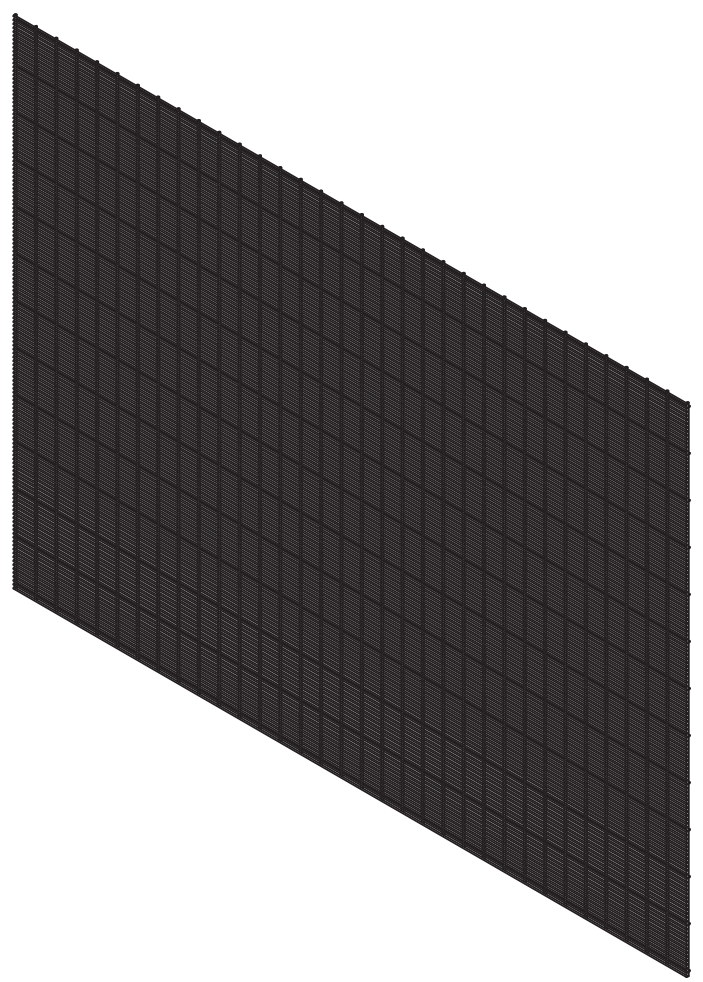
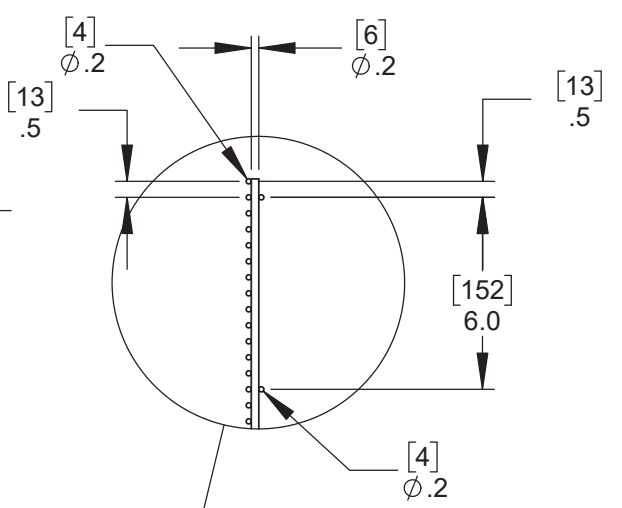
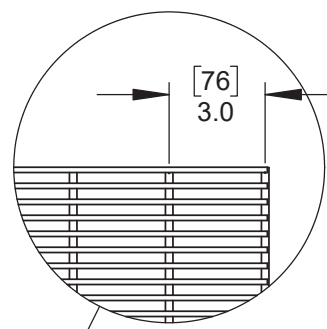


DETAIL A

DETAIL B



	<u>HT.</u>
4' [1.2M]	48.7 [1236]
6' [1.8M]	72.2 [1834].
8' [2.4M]	96.1 [2440]

Description:		RAMPART 354 WELDED WIRE PANEL	
Material			
Finish:		POWDER COAT, BLACK	
Drawing No.		Date:	
RAMPART 354		5/25/2022	
Rev.		Sheet:	
A		1 of 1	


 115 Lawson Crescent
 Winnipeg, Manitoba, Canada, R3P 1A6
 Phone: 1-866-300-1110
 Fax: 1-204-284-1868
 Web: www.wallaceperimetersecurity.com