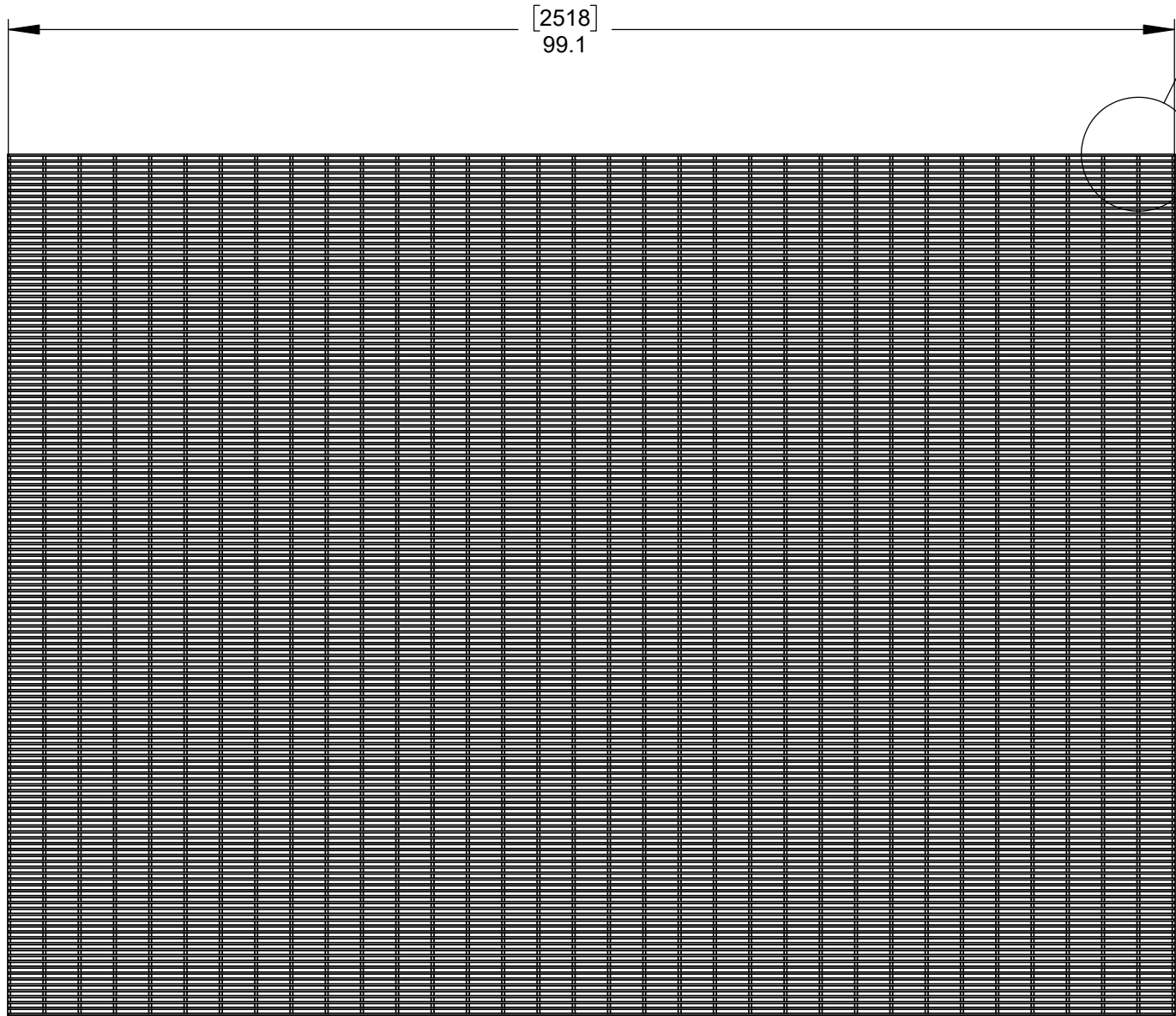
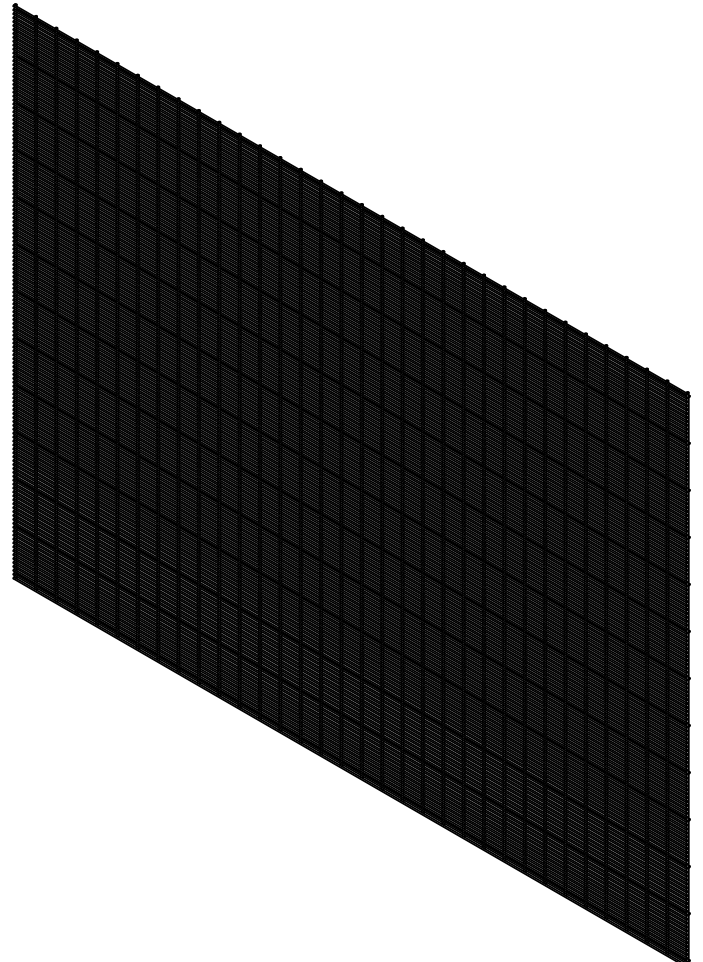
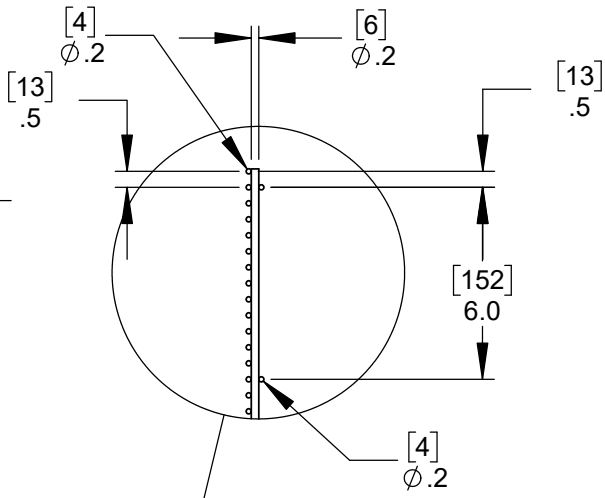
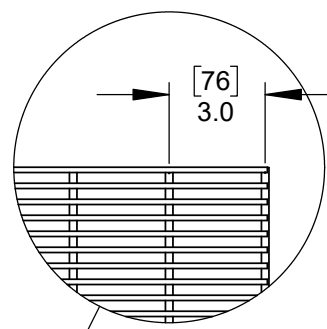


DETAIL A

DETAIL B



HT.
(SEE TABLE)

| | <u>HT.</u> |
|-----------|--------------|
| 4' [1.2M] | 49.1 [1248] |
| 6' [1.8M] | 73.1 [1858]. |
| 8' [2.4M] | 97.1 [2468] |

| | | | |
|--------------------|----------|---|--------------------|
| Description: | | RAMPART 354 WELDED WIRE PANEL | |
| Material | | | |
| Finish: | | POWDER COAT, BLACK | Date: 7/12/2023 |
| Drawing No. | Rev. | Sheet: | |
| RAMPART 354 | B | 1 of 1 | |

WALLACE
PERIMETER SECURITY

115 Lawson Crescent
Winnipeg, Manitoba, Canada, R3P 1A6
Phone: 1-866-300-1110
Fax: 1-204-284-1868
Web: www.wallaceperimetersecurity.com