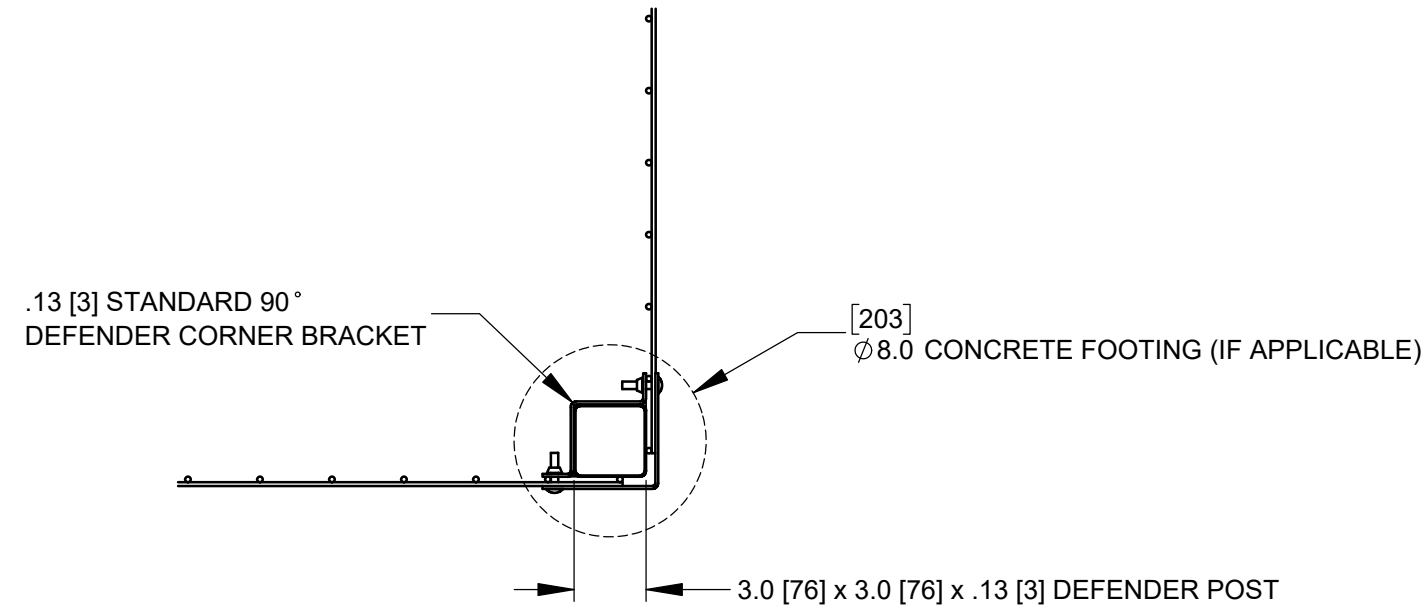
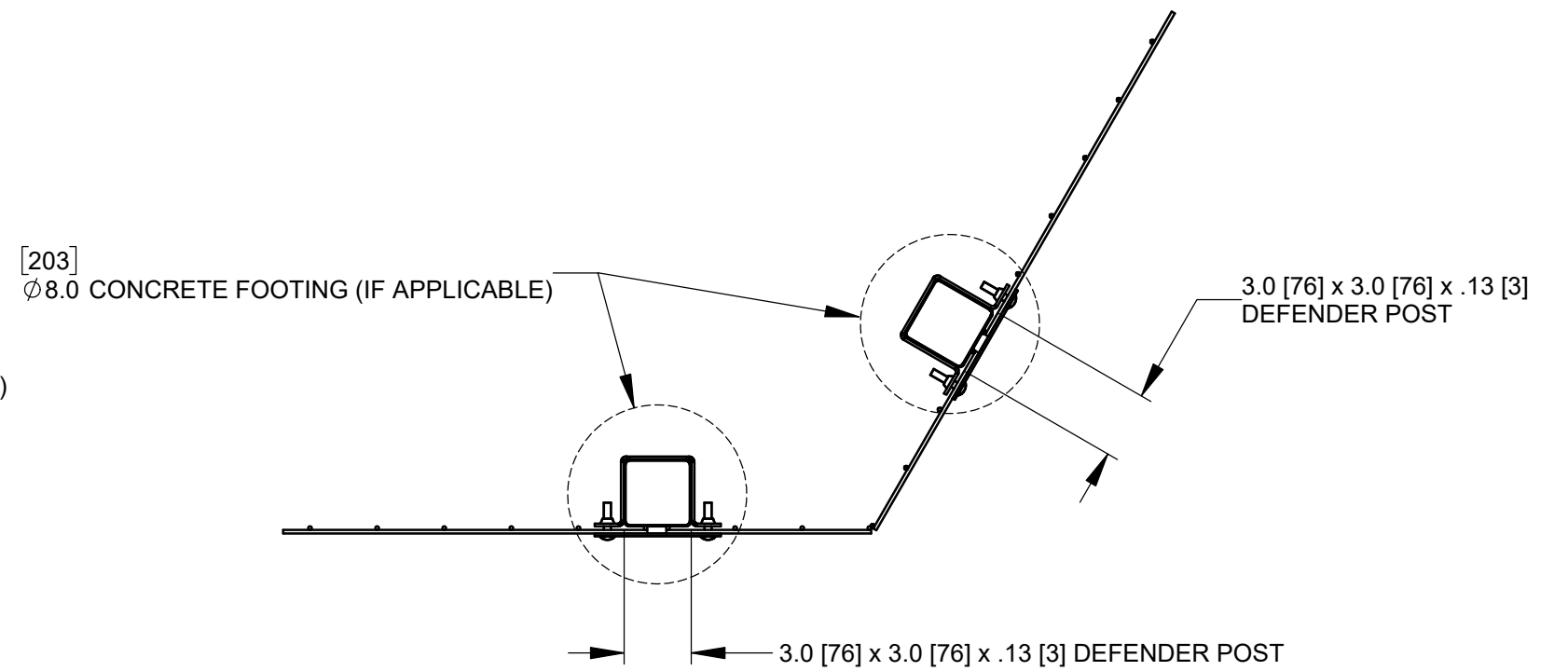


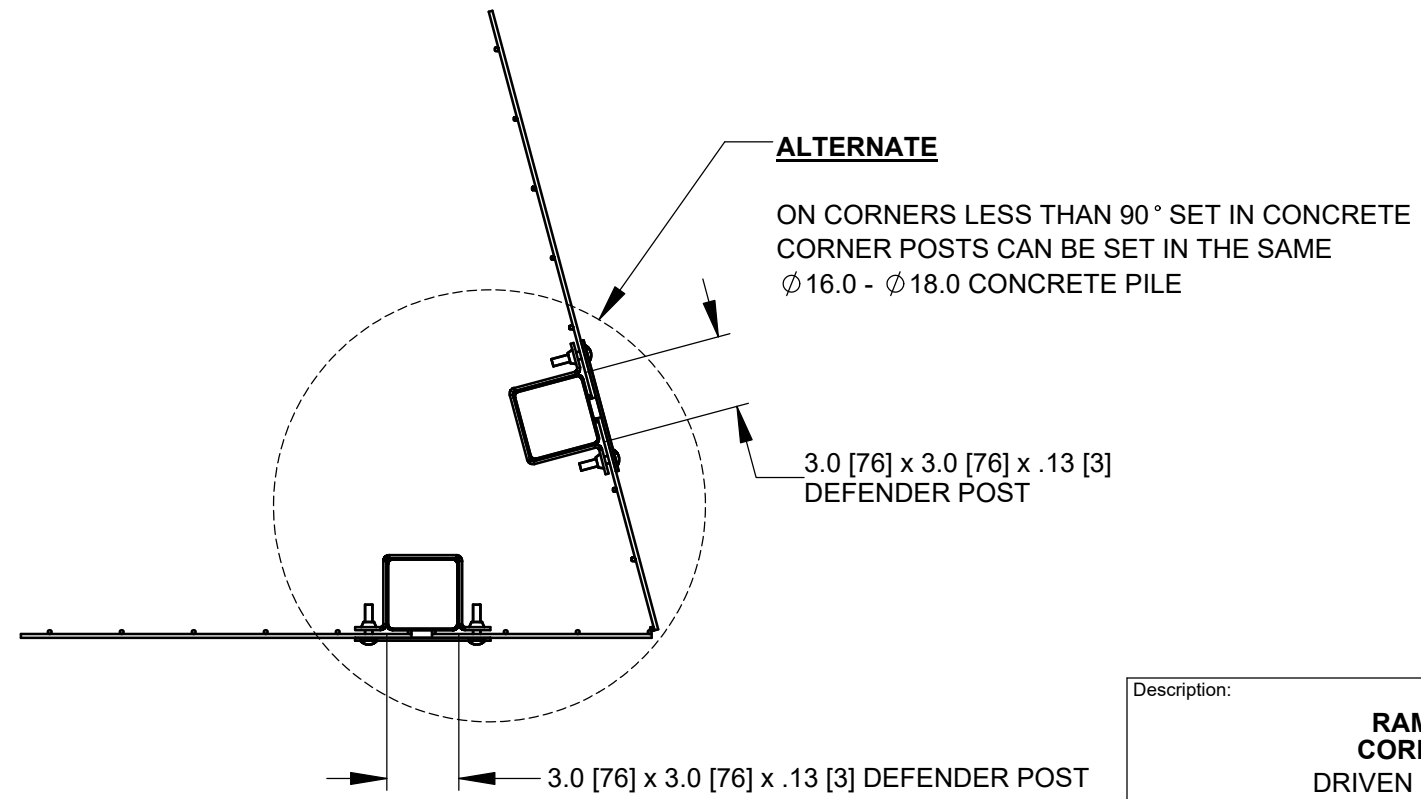
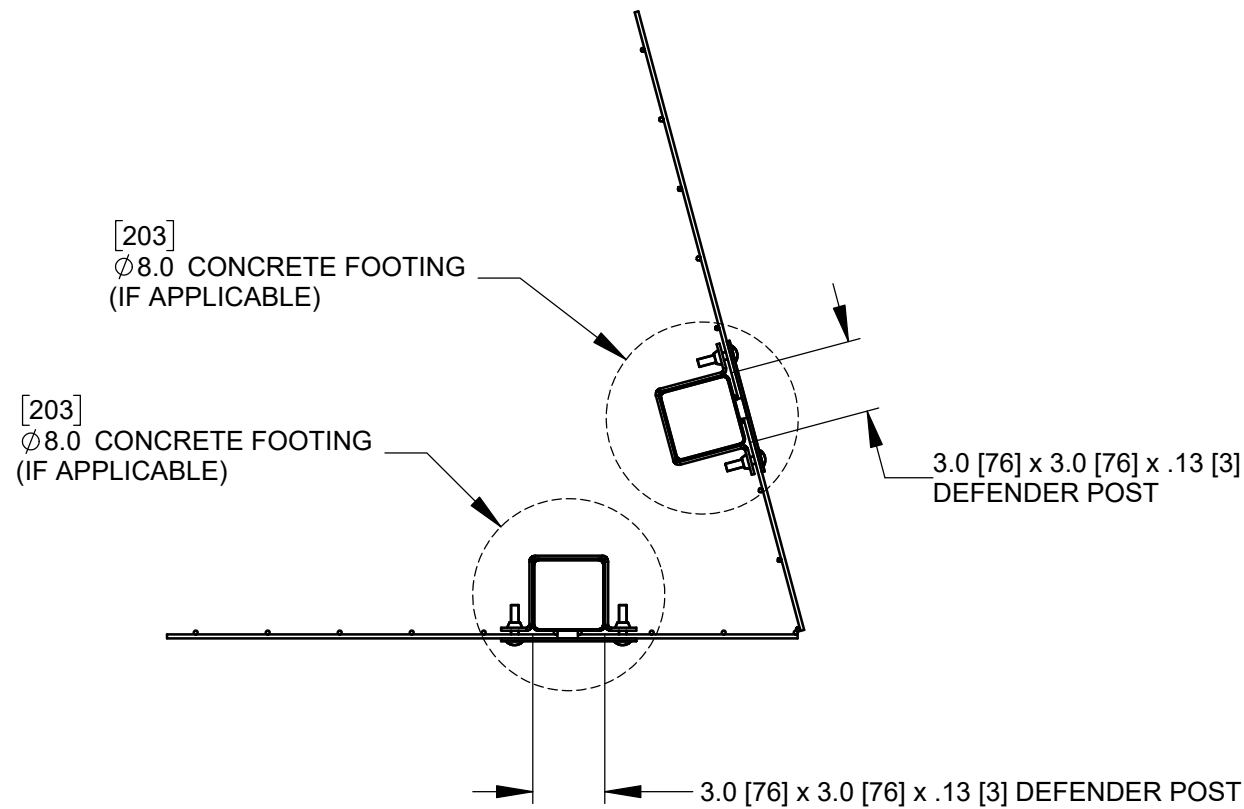
**STANDARD 90° CORNER**



**CORNER GREATER THAN 90°**



**CORNER LESS THAN 90°**



**NOTE**  
FOR CORNERS LESS THAN OR GREATER THAN 90°  
POSTS ARE TO BE PLACED AS CLOSE TOGETHER AS SITE CONDITIONS WILL ALLOW

115 Lawson Crescent  
Winnipeg, Manitoba, Canada, R3P 1A6  
Phone: 1-866-300-1110  
Fax: 1-204-284-1868  
Web: www.wallaceperimetersecurity.com

Description:		<b>RAMPART DEFENDER CORNER POST DETAILS</b> DRIVEN OR DIG & SET DETAILS	
Customer:			
Finish:		Date:	2/2/2024
Drawing No.	<b>DEFENDER-CORNER-DETAILS</b>	Rev.	Sheet: 1 of 1