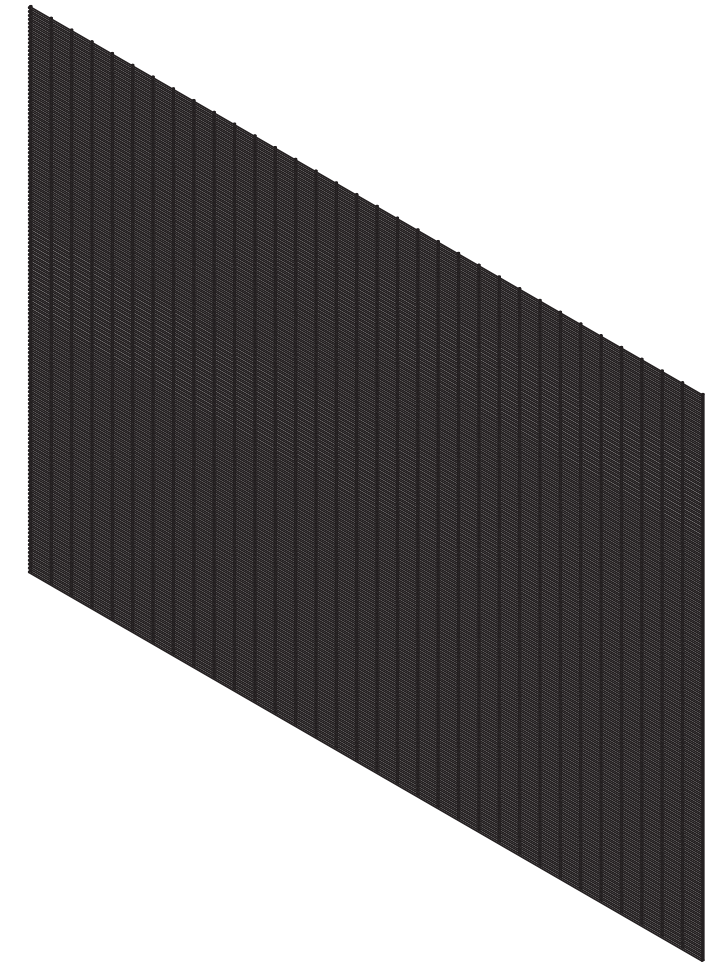
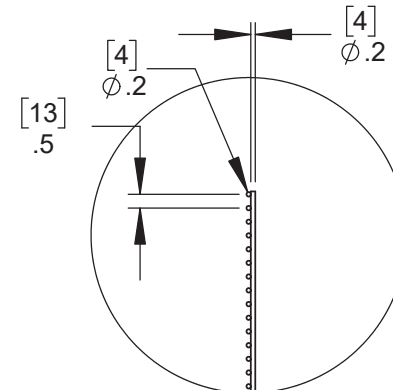
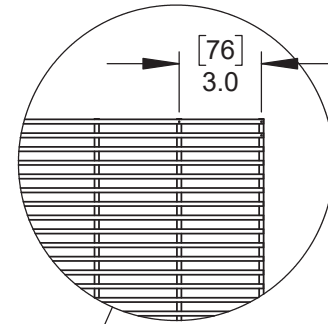
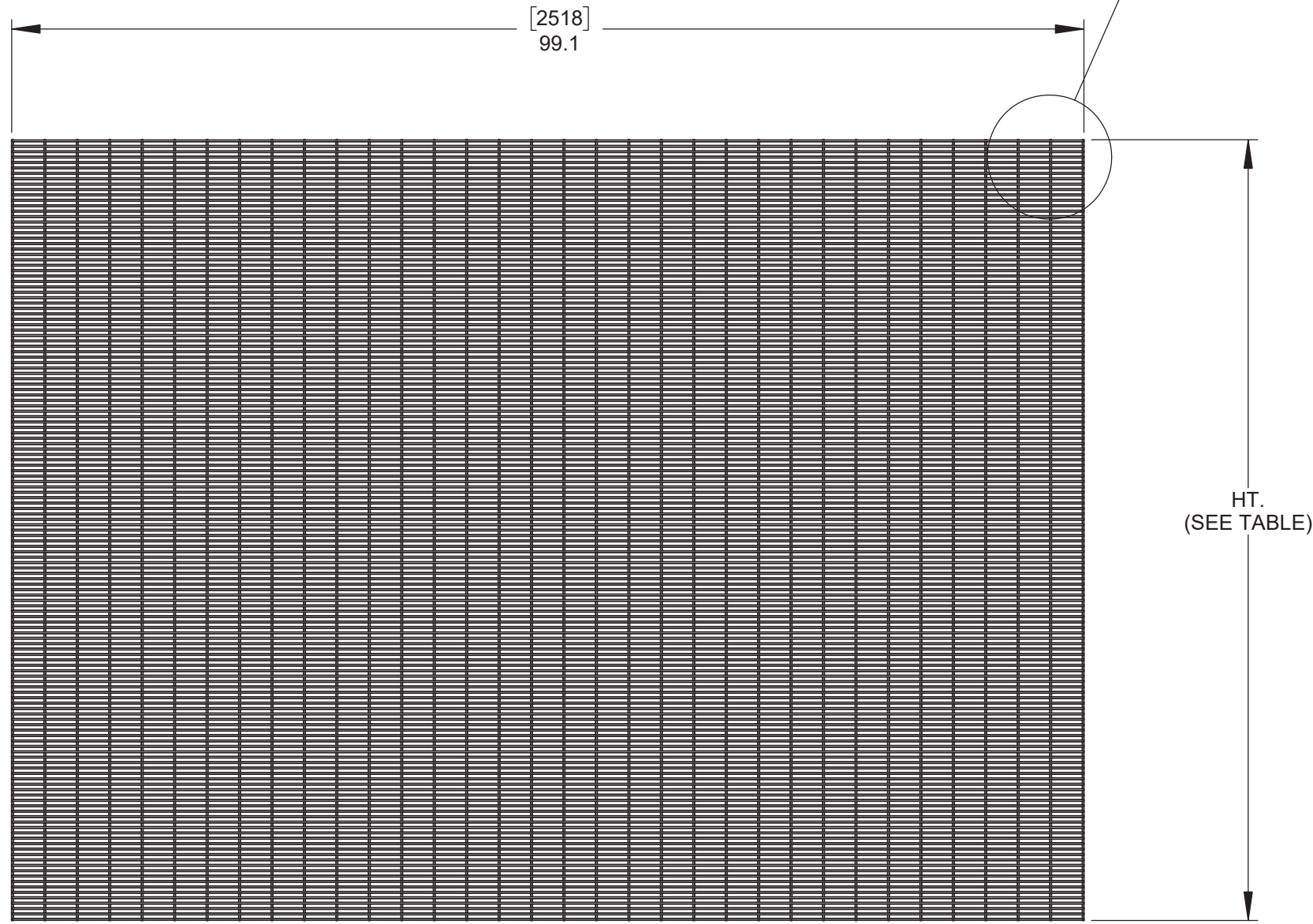


DETAIL A

DETAIL B



	<u>HT.</u>
4' [1.2M]	48.7 [1236]
6' [1.8M]	72.2 [1833].
8' [2.4M]	95.7 [2430]

Description:		RAMPART 358 - SECURITY WELDED WIRE PANEL	
Material			
Finish:	HOT DIPPED GALVANIZED OPTIONAL POWDER COAT FINISH AVAILABLE	Date:	9/5/2018
Drawing No.	RAMPART 358	Rev.	Sheet: 1 of 1



115 Lawson Crescent
Winnipeg, Manitoba, Canada, R3P 1A6
Phone: 1-866-300-1110
Fax: 1-204-284-1868
Web: www.wallaceperimetersecurity.com