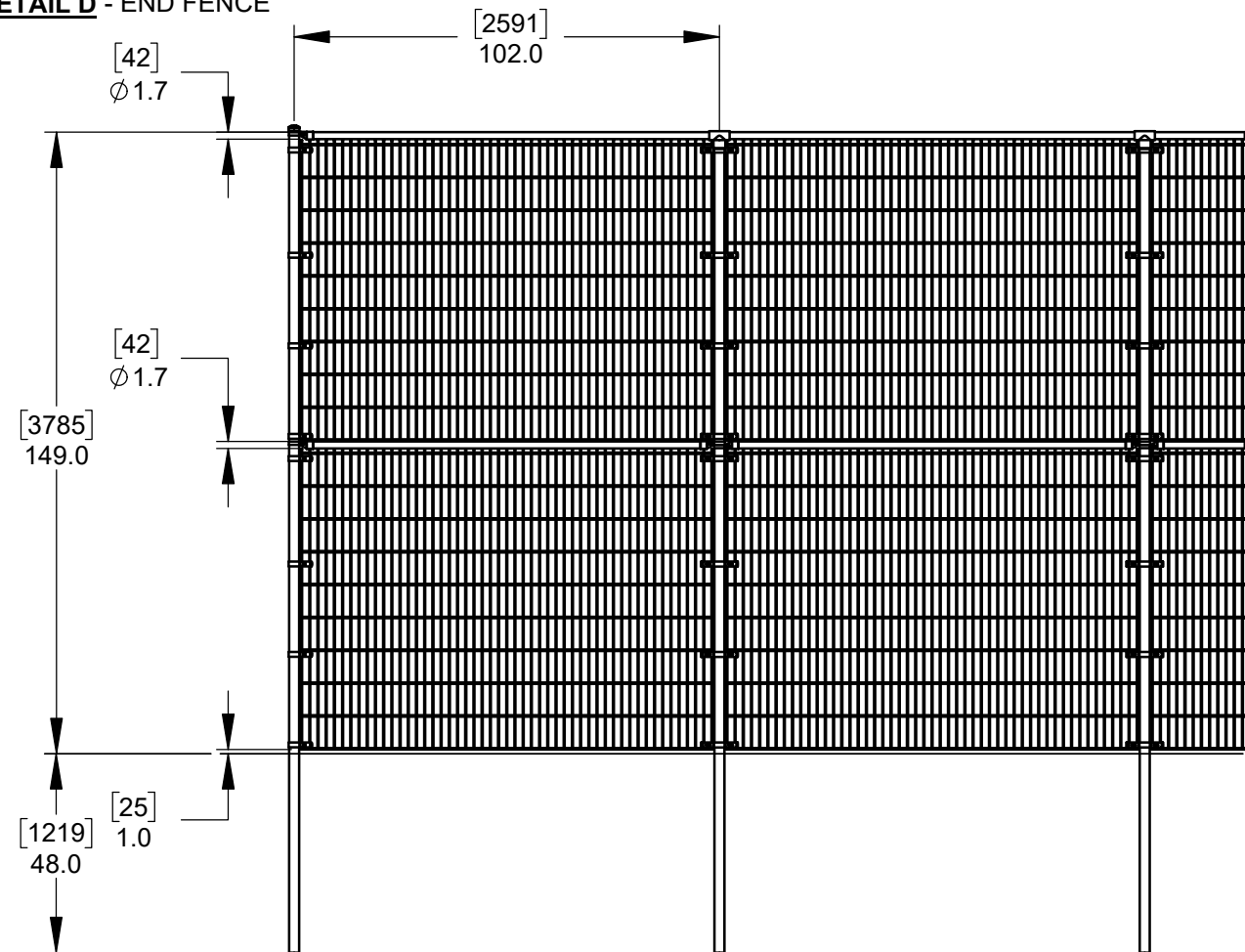
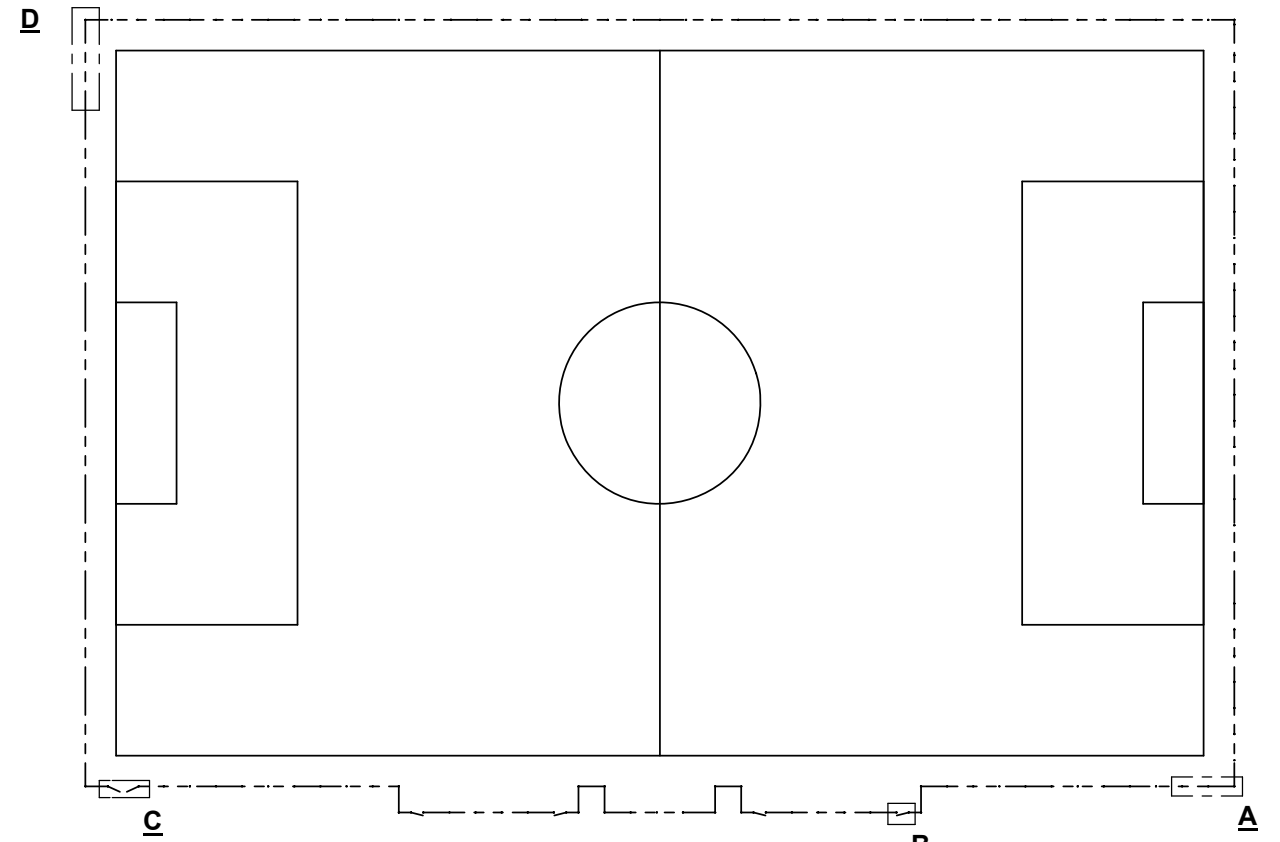
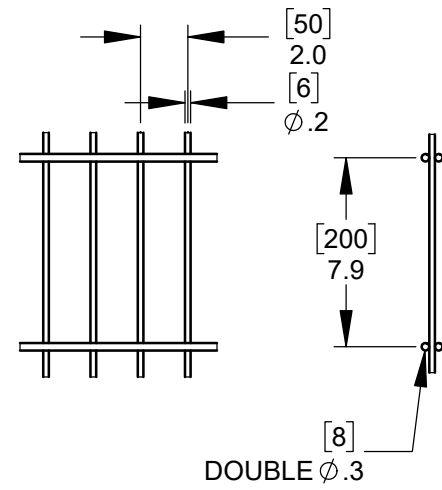


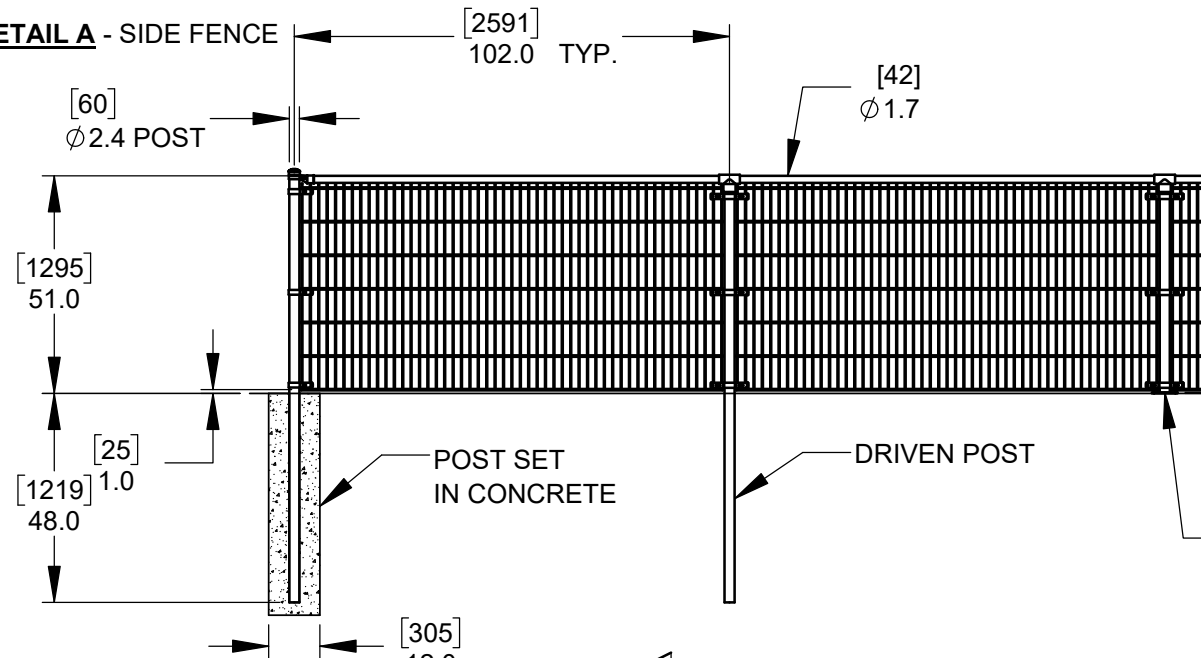
**DETAIL D - END FENCE**



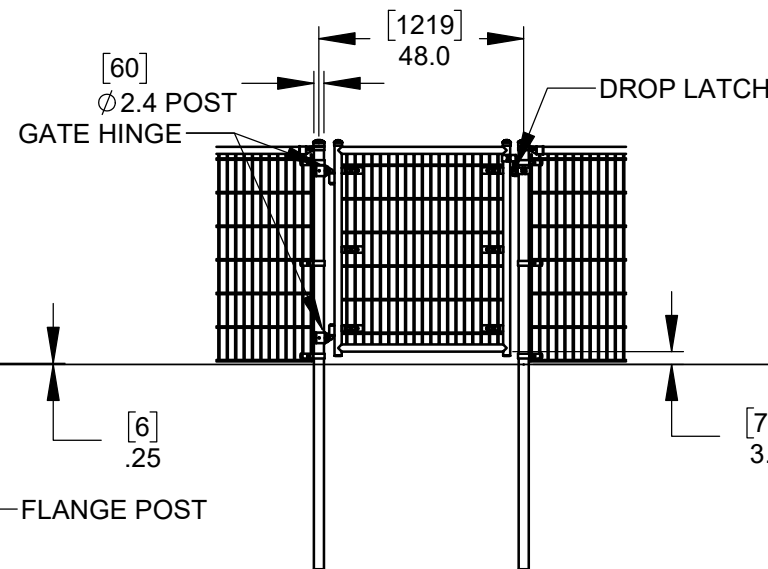
**RAMPART 280**



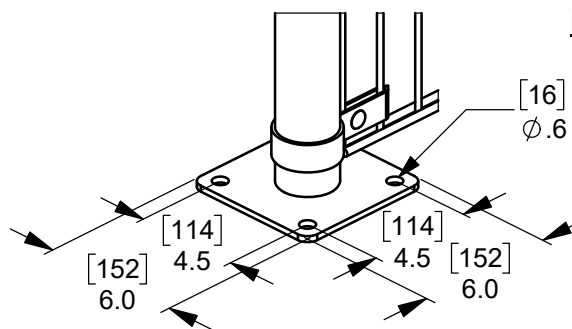
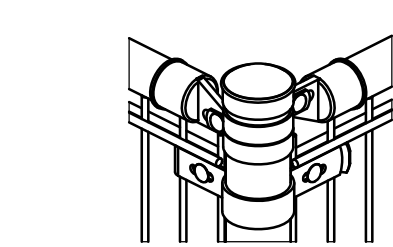
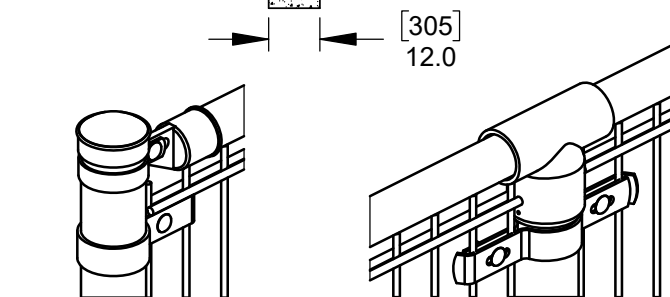
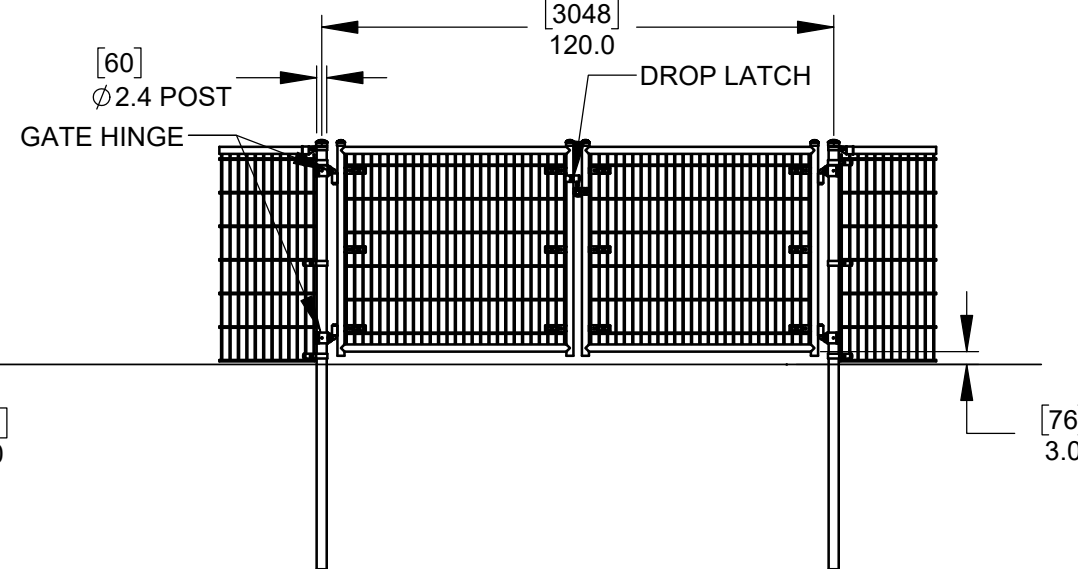
**DETAIL A - SIDE FENCE**



**DETAIL B - PEDESTRIAN GATE**



**DETAIL C - MAINTENANCE GATE**



**END POST**

**LINE POST**

**CORNER POST**

**FLANGE POST**



115 Lowson Crescent  
Winnipeg, Manitoba, Canada, R3P 1A6  
Phone: 1-866-300-1110  
Fax: 1-204-284-1868  
Web: www.wallaceperimetersecurity.com

Description: <b>SPORTS FIELD PERIMETER FENCING RAMPART 280 WELDED WIRE Ø 2.4 [60] POSTS</b>	
Customer:	
Finish: <b>POWDER COAT, BLACK</b>	Date: <b>11/25/2022</b>
Drawing No. <b>SF-280</b>	Rev. Sheet: <b>1 of 1</b>